



Fire Your Imagination

Logic HE™ Log Range

Balanced Flue



Instructions for Use, Installation & Servicing

For use in GB & IE (Great Britain & Republic of Ireland).

IMPORTANT

THE OUTER CASING, FRONT AND GLASS PANEL BECOME EXTREMELY HOT DURING OPERATION AND WILL RESULT IN SERIOUS INJURY AND BURNS IF TOUCHED. IT IS THEREFORE RECOMMENDED THAT A FIREGUARD COMPLYING WITH BS 8423 (LATEST EDITION) IS USED IN THE PRESENCE OF YOUNG CHILDREN, THE ELDERLY OR INFIRM.

This product contains a Heat resistant glass panel. This panel should be checked during Installation and at each servicing interval. If any damage is observed on the front face of the glass panel (scratches, scores, cracks or other surface defects), the glass panel must be replaced and the appliance must not be used until a replacement is installed. Under no circumstances should the appliance be used if any damage is observed, the glass panel is removed or broken.

It is essential that ALL of the screws that retain the glass frame are replaced and tightened correctly. Under no circumstances should the appliance be operated if any of these screws are loose or missing.

These Instructions must be left with the appliance for future reference and for consultation when servicing the appliance. Please make the customer aware of the correct operation of the appliance before leaving these instructions with them.

The commissioning sheet found on Page 3 of this Instruction manual must be completed by the Installer prior to leaving the premises.

Contents

Logic HE Balanced Flue

Covering the following models:

GAS TYPE	LOGIC HE BF	
	Remote Control	Slide Control
Nat Gas	101-014	101-281
LPG	101-666	101-516

Appliance Commissioning Checklist3

User Instructions4

Installation Instructions14

Technical Specification 14

Site Requirements 17

Installation 20

Commissioning 29

Servicing Instructions30

Fault Finding 30

How to replace parts 34

Basic spare parts list 42

Service Records 46

Information Requirements 47



To receive your Extended Warranty your Gazco appliance must have been purchased from our Expert Retailer Network and registered within one month of purchase or installation. Please note that all warranties are effective from the date of purchase. Any Gazco product purchased outside of our Extended Retailer Network, or not registered within the stated time will carry a standard 12 month warranty.

It is a condition of the Extended Warranty that the installation complies with the relevant Building Regulations and is carried out by a suitably trained and qualified individual (GasSafe in the UK or equivalent in other countries) with the certificate of installation and the Commissioning Report on Page 3 completed and retained by the end user.

Full terms and conditions are detailed in the Warranty Statement on the Gazco website www.gazco.com. In the event of any conflict of information the wording on the website shall prevail.

Important Note: Should any problems be experienced with your product, claims must first be submitted to the Expert Retailer where the appliance was purchased from who will offer immediate assistance or contact Gazco on your behalf.



It is a requirement of the Building Regulations 2010 that the installation of this appliance is notified to the Local Authority. It is the responsibility of the GasSafe registered installer to carry out this notification to the Local Authority via the GasSafe register Competent Persons Scheme in England and Wales (different rules apply in Scotland and Northern Ireland).

When the installation has been notified, GasSafe will send a Building Regulations Compliance Certificate to you containing details of the work completed. Please ensure that the person responsible for the installation of this appliance completes this notification and records it in the Appliance Commissioning Checklist on page 3.

IT IS YOUR RESPONSIBILITY TO COMPLY WITH THE BUILDING REGULATIONS AND BE ABLE TO PRODUCE THIS CERTIFICATE SHOULD IT BE REQUIRED IN THE FUTURE.

Appliance Commissioning Checklist

To assist us in any guarantee claim please complete the following information:-

IMPORTANT NOTICE

Explain the operation of the appliance to the end user, hand the completed instructions to them for safe keeping, as the information will be required when making any guaranteed claims.

FLUE CHECK	PASS	FAIL
1. Flue Is correct for appliance		
2. Flue flow Test		
3. Spillage Test		
GAS CHECK		
1. Gas soundness & let by test		
2. Standing gas pressure	mb	
3. Appliance working pressure (on High Setting) Minimum Pressure Requirement: NG - 17.5mbar LPG - 34.5mbar NB All other gas appliances must be operating on full	mb	
4. Gas rate	m ³ /h	
5. Does Ventilation meet appliance requirements		
SAFETY CHECK		
1. Check soundness of the Thermocouple connections - including tightness and lead integrity		
2. Glass checked to ensure no damage, scratches, scores or cracks		
3. Glass frame secured correctly and all screws replaced		
BUILDING CONTROL NOTIFICATION	YES	NO
1. Installer notified GasSafe/Local Authority of installation via Competent Persons Scheme?		

RETAILER AND INSTALLER INFORMATION

Retailer	Installation Company
.....
.....
Contact No.	Engineer
Date of Purchase	Contact No.
Model No.	GasSafe Reg No.
Serial No.	Date of Installation
Gas Type	

User Instructions

Welcome

Congratulations on purchasing your Logic HE fire, if installed correctly Gazco hope it will give you many years of warmth and pleasure for which it was designed.

The purpose of this manual is to familiarise you with your appliance, and give guidelines for its installation, operation and maintenance. If, after reading, you need further information, please do not hesitate to contact your Gazco retailer.

WARNING



In the event of a gas escape or if you can smell gas, please take the following steps:

- Immediately turn off the gas supply at the meter/emergency control valve
- Extinguish all sources of ignition
- Do not smoke
- Do not operate any electrical light or power switches (On or Off)
- Ventilate the building(s) by opening doors and windows
- Ensure access to the premises can be made

Please report the incident immediately to the National Gas Emergency Service Call Centre on 0800 111 999 (England, Scotland and Wales), 0800 002 001 (N. Ireland) or in the case of LPG, the gas supplier whose details can be found on the bulk storage vessel or cylinder.

The gas supply must not be used until remedial action has been taken to correct the defect and the installation has been recommissioned by a competent person.

1. General

- 1.1 Installation and servicing must only be carried out by a competent person whose name appears on the GasSafe register. To ensure the engineer is registered with GasSafe they should possess an ID Card carrying the following logo:



- 1.2 In all correspondence, please quote the appliance type and serial number, which can be found on the data badge.
- 1.3 **Do not** place curtains above the appliance: You must have 300mm clearance between the appliance and any curtains at either side.

- 1.4 No furnishings or other objects should be placed within 1 metre of the front of the appliance.
- 1.5 If a shelf is fitted, a distance of 300mm above the appliance opening is required.
- 1.6 If any cracks appear in the glass panel do not use the appliance until the panel has been replaced.
- 1.7 Do not obstruct the flue terminal in any way, i.e. by planting flowers, trees, shrubs etc. in the near vicinity, or by leaning objects against the terminal guard.
- 1.8 Do not put any objects on the terminal guard; it will lose its shape.
- 1.9 If you use a garden sprinkler, do not let quantities of water into the flue terminal.
- 1.10 This product is guaranteed for 5 years from the date of installation, as set out in the terms and conditions of sale between Gazco and your local Gazco retailer. Please consult with your local Gazco retailer if you have any questions. In all correspondence always quote the Model Number and Serial Number.



IMPORTANT: NEVER position a television or screen above this appliance.

Operating the Appliance

There are 2 types of control systems available for this appliance:

Section 2. Manual and Remote Control

Section 3. Slide Control

Follow the relevant section for specific operation.

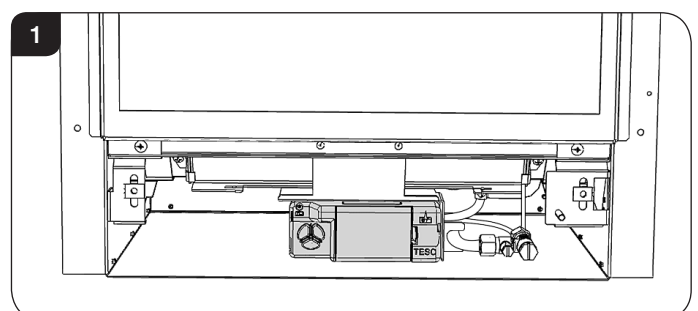
2. Manual and Remote Control

There are two ways of lighting the appliance:

- 2a. Using the Manual Controls on the Control Box (located on the appliance).
- 2b. By thermostatic remote control.

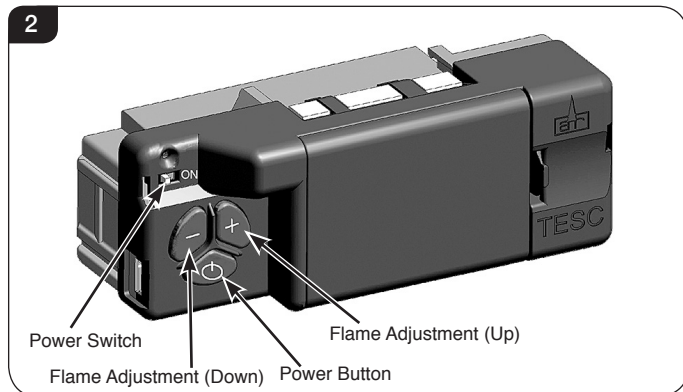
2a. Manual Operation (Control Box)

- 2a.1 The manual controls are located on the Control Box at the bottom of the appliance, behind the ash cover, see Diagram 1.



User Instructions

2a.2 There are a series of buttons on the left hand side of the Control Box, see Diagram 2.



To operate the appliance the white Power Switch on the Control Box must be switched ON.

i **Note:** The white Power Switch does not need to be turned off each time the appliance is not in use. However, if the appliance is left unattended for long periods of time (e.g. vacation), it is recommended to place the Power Switch into the off position.

Turning the appliance on:

2a.3 Press and hold the Power Button for 1 second and release. The burner will light within 2 seconds.

2a.4 Use + and - buttons to adjust the flame height between Minimum and Maximum.

Turning the appliance off

2a.5 Press the power button to turn the appliance off.

i **IMPORTANT: YELLOW FLAMES TYPICALLY APPEAR WHEN THE APPLIANCE HAS REACHED NORMAL OPERATING TEMPERATURE. THIS CAN TAKE UP TO 30 MINUTES.**

! WARNING: IF THE APPLIANCE FAILS TO LIGHT OR BECOMES EXTINGUISHED IN USE, WAIT 3 MINUTES BEFORE ATTEMPTING TO RELIGHT. THE APPLIANCE MAY TAKE SEVERAL AUTOMATIC ATTEMPTS TO RESTART. DO NOT INTERRUPT THE VALVE DURING THIS PROCESS.

2b. Remote Control

To operate the appliance the white Power Switch on the Control Box must be switched ON.

i To activate the Remote Control it will be necessary to cradle the handset to unlock, see Diagram 3. The green light will illuminate to show the handset is ready to use.
IMPORTANT: Continue to cradle the handset throughout an operation to keep it unlocked. If the green light goes off during an operation it will be necessary to reposition the handset so the light comes back on and restart the operation.



Handset Features



The Icon at the bottom of the screen displays the battery condition of both the batteries in the handset and in the Control Box alternatively.

RC = Remote Control Handset and FC = Fire Control (Control Box).

i If the handset has been replaced or the fire has been serviced, see Installation Section 11b to set up the handset.

User Instructions

Manual Operation (Remote Control)



To activate the Remote Control it will be necessary to cradle the handset to unlock, see Diagram 3. The green light will illuminate to show the handset is ready to use.
IMPORTANT: Continue to cradle the handset throughout an operation to keep it unlocked. If the green light goes off during an operation it will be necessary to reposition the handset so the light comes back on and restart the operation.

Turning the appliance on

- 2b.1 Press the Power Button until Pilot flashes on the display.
- 2b.2 Release the Power Button and the Flame symbol will appear on the display.

If the button is held the command will be cancelled for safety reasons.

- 2b.3 Holding the handset to unlock, use + and - buttons to adjust the flame height between Minimum and Maximum.

Turning the appliance off

- 2b.4 Holding the handset to unlock, press the power button to turn the appliance off.



IMPORTANT: YELLOW FLAMES TYPICALLY APPEAR WHEN THE APPLIANCE HAS REACHED NORMAL OPERATING TEMPERATURE. THIS CAN TAKE UP TO 30 MINUTES.



WARNING: IF THE APPLIANCE FAILS TO LIGHT OR BECOMES EXTINGUISHED IN USE, WAIT 3 MINUTES BEFORE ATTEMPTING TO RELIGHT.

THE APPLIANCE MAY TAKE SEVERAL AUTOMATIC ATTEMPTS TO RESTART. DO NOT INTERRUPT THE VALVE DURING THIS PROCESS.

Setting Timer Mode (in Manual operation)

Timer Mode will turn the appliance off after a set period of time has elapsed. Timer Mode can be set before or during manual operation of the fire.



Note: If Timer mode is activated and the fire is manually turned off, the timer will be cancelled. Changes to the Timer will reset to the default time on next use.

If the fire is off when the Timer mode is set then the timer will automatically start when the fire is turned on.

- 2b.5 Hold the handset to unlock and press and release the MODE button. The word MAN and the Zzz symbols flash at the top of the display.
- 2b.6 Press and release the SET button. This will activate the Timer mode.

The default time period is 1 hour, unless altered in 2b.39.

- 2b.7 Pressing the SET button again will show the remaining time. This can be altered by pressing the + or - buttons. The timer can be set between 1 minute and 24 hours.
- 2b.8 After adjusting the time press SET again to confirm the time setting desired.

Once the countdown has reached zero the fire will turn off.

Thermostatic Mode

The handset contains a thermostatic sensor to control the operation of the appliance according to the temperature of the room.

There are 3 temperature options that can be set:

Day Mode - indicated by a Sun symbol on the display (default temperature 24°C)

Night Mode - indicated by a Moon symbol on the display (default temperature 18°C)

Frost Protection - indicated by a Snowflake symbol on the display (default temperature 5°C)

Programming the Modes

- 2b.9 Holding the handset to unlock, press and hold the SET button until a beep is heard to indicate the command has been received.
- 2b.10 Release the SET button. PROG and a flashing thermometer symbol will be displayed at the top of the display.
- 2b.11 Press and release the SET button to enter Day Mode. The current temperature setting and mode will be displayed- for example the Sun symbol on the left shows it is in Day Mode and the default temperature is 24°C.
- 2b.12 To change the temperature press + or - whilst the set temperature is displayed to alter the setting.
- 2b.13 Press and release the SET button to confirm and to scroll to the Night Mode.
- 2b.14 To change the temperature press + or - whilst the set temperature is displayed to alter the setting.
- 2b.15 Press and release the SET button to confirm and to scroll to Frost Protection mode.
- 2b.16 To change the temperature press + or - whilst the set temperature is displayed to alter the setting.
- 2b.17 When finished press the SET button again and the new settings will be accepted. The display will return to the time of day screen.

Choosing a Mode

When choosing a mode during operation the temperature can be temporarily changed, however these settings will reset to the previously set programmed settings when the fire is turned off.

- 2b.18 Holding the handset to unlock, press and release the MODE button several times until a thermometer symbol flashes at the top of the display.

User Instructions

- 2b.19 Press the SET button to enter the Thermostatic mode.
- 2b.20 Press the Set button again to see the current temperature setting and mode - for example the a Sun symbol on the left shows it is Day Mode and the default temperature is 24.
- 2b.21 With the temperature displayed, press + or - to alter the setting.
- 2b.22 Press the MODE button repeatedly to scroll through the settings and to select Night mode or Frost Protection.

The handset must be left in the chosen mode for it to operate.

- 2b.23 When finished press SET again and the new setting will be accepted.
The display will return to the time of day screen.

If at any time the power button is operated during Thermostatic Mode the control will cancel any thermostat operation and return the handset to Manual Mode.

Setting Timer Mode (in Thermostatic Operation)

Timer Mode will turn the appliance off after a set period of time has elapsed.
Timer Mode can be set before or during thermostatic operation of the fire.

- 2b.24 Hold the handset to unlock, press and release the MODE button until the word MAN and the Zzz symbols are flashing at the top of the display.
- 2b.25 Press and release the SET button.
This will activate the Timer mode.

The default time period is 1 hour, unless altered in 2b.39.

- 2b.26 Pressing the SET button again will show the remaining Time.
This can be altered by pressing the + or - buttons.
The timer can be set between 1 minute and 24 hours.
- 2b.27 After adjusting the time press SET again to confirm the time setting desired.

Once the countdown has reached zero the fire will turn off.



Note: If Timer mode is activated and the fire is manually turned off, the timer will be cancelled. Changes to the Timer will reset to the default time on next use.

If the fire is off when the Timer mode is set then the timer will automatically start when the fire is turned on.

Setting the Clock

To adjust the time on the handset after initial set up:

Holding the remote to keep the green light on and the handset unlocked:

- 2b.28 Press and hold the SET button until a beep is heard to indicate the command has been received.
- 2b.29 Release the SET button. PROG will be displayed at the top left of the display.
- 2b.30 Press the MODE button twice until SET UP flashes in the top right of the display.
- 2b.31 Press and release the SET button. The handset will display an H:24, see Diagram 5.



24 denotes a 24 hour clock and 12 denotes a 12 hour clock.

- 2b.32 Press the + or - button on the handset to toggle between the two settings.
Press the SET button to confirm and progress to setting the day of the week.

Setting the Day of the Week

- 2b.33 Press and release the + and - buttons until the correct day of the week is shown on the display.



Mo = Monday, **Tu** = Tuesday, **We** = Wednesday, **Th** = Thursday, **Fr** = Friday, **Sa** = Saturday and **Su** = Sunday.

- 2b.34 Press SET to confirm the day of the week and progress to setting the time.

User Instructions

Setting the Hour

2b.35 Press and release the + or - button to change the hour to the correct hour. Press SET to confirm and progress to setting the minute.



Setting the Minutes

2b.36 Repeat the process to change the minutes.

Setting the Temperature Display (Celsius or Fahrenheit)

2b.37 Press and release the + or - button to toggle between C and F. When the display shows the desired symbol, press and release the SET button to store.



2b.38 To enter Advanced Settings, see below. To finish, place the handset down and wait until the home screen is displayed and the unlock light goes off.

! ALL THE NECESSARY SETTINGS REQUIRED HAVE NOW BEEN COMPLETED. ANY FURTHER FUNCTIONS ON THIS HANDSET ARE FOR FACTORY SETTING AND NOT TO BE USED.

The Handset is now ready to operate the appliance.

Advanced Menu Settings

It is possible to change additional preset settings of the control features.

2b.39 Follow steps 2b.28 to 2b.38 to access the Advanced Menu Settings. Press and release the SET button to enter the Advanced Settings Menu.

Advanced Settings are:

Back Light (L)

- A = Automatic (default setting).
The backlight comes on in the dark.
- O = Light never comes on.
- 1 = Light comes on when the handset is unlocked.

Display Contrast (C)

- 8 Levels from 0 - 7 (Default level 4).

P = Pairing with devices other than the Control Box. This feature is not available on this appliance.



IMPORTANT: THE FURTHER FUNCTIONS ON THIS HANDSET ARE FOR FACTORY SETTING ONLY AND ARE NOT TO BE USED. PLACE THE HANDSET ON A FLAT SURFACE AND WAIT UNTIL THE HOME SCREEN IS DISPLAYED AND THE UNLOCK LIGHT TURNS OFF.

Paging the Handset

If the handset is lost it can be located by pressing the + only on the Control Box for 5 seconds.

The handset will flash and make a noise for 60 seconds to indicate where it is.

Pick up the Handset and cradle it to unlock. The flashing and noise will stop.

If the handset is not discovered in 60 seconds the process will need to be repeated.

Changing the Default Timer Mode

It is possible to change the default time period for the Timer mode.

The default time period for Timer mode is factory set to 1 hour.

To change the default time:

Holding the remote to keep the green light on and the handset unlocked:

- 2b.40 Press and hold the SET button until a beep is heard to indicate the command has been received.
- 2b.41 Release the SET button. PROG will be displayed at the top left of the display.
- 2b.42 Repeatedly press the MODE button until the Zzz symbol flashes at the top of the display.
- 2b.43 Press and release the SET button.
- 2b.44 Press the + or - buttons to alter the default time period. The timer can be set between 1 minute and 24 hours.
- 2b.45 After adjusting the time press SET again to confirm.

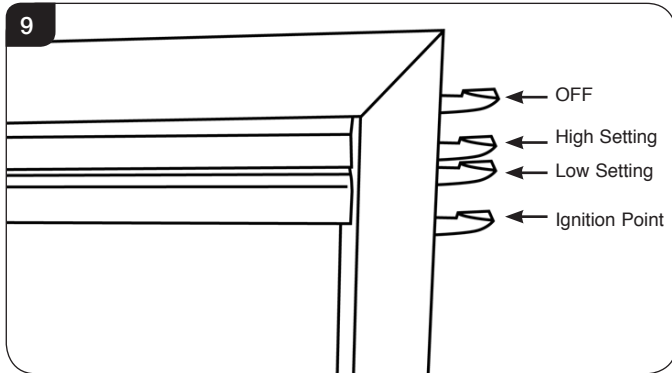
Note: This does not activate the Timer mode, see Installation Section, Manual Operation or Thermostatic Mode.

User Instructions

3. Slide Control

This appliance is operated using the slide control on the top right hand side of the decorative front.

When the appliance is OFF the slide control will be at the highest point, see Diagram 9.



Lighting the Pilot

- 3.1 Push the slide control down as far as possible to its lowest point, see Diagram 8, this is the ignition point.

Keep the slide control pressed down for 5 seconds to ensure the pilot is lit. Then release.

The appliance should light on its lowest setting.

- 3.2 When released the slide control automatically raises to a natural stop point, see Diagram 9.

Repeat the above steps if the appliance does not light.

- 3.3 If, after repeating the above steps the pilot does not light, contact your Retailer or Installer.

Adjusting the Flame height

- 3.4 Increase the flame height and temperature by carefully moving the slide control up until the next stop point is felt, see Diagram 9. This denotes the highest setting.

- 3.5 Carefully move the slide control down to the lower stop point to return to the lowest setting.

i **IMPORTANT: YELLOW FLAMES TYPICALLY APPEAR WHEN THE APPLIANCE HAS REACHED NORMAL OPERATING TEMPERATURE. THIS CAN TAKE UP TO 30 MINUTES.**

! **WARNING: IF THE APPLIANCE FAILS TO LIGHT OR BECOMES EXTINGUISHED IN USE, WAIT 3 MINUTES BEFORE ATTEMPTING TO RELIGHT.**

Switching OFF the Appliance

- 3.6 To turn the appliance off lift the slide control to its highest stop point, see Diagram 9. The pilot goes out.

4. Replacing the Appliance Batteries

Replace batteries at least every 12 months during the annual service of the fire.

i **It is essential to use high quality batteries (Duracell or equivalent) when replacing batteries.**

4a. Remote Control

The icon at the bottom shows the battery condition of both the batteries in the handset and in the Control Box alternately, see Diagram 10.



RC = Remote Control Handset and FC = Fire Control (Control Box).

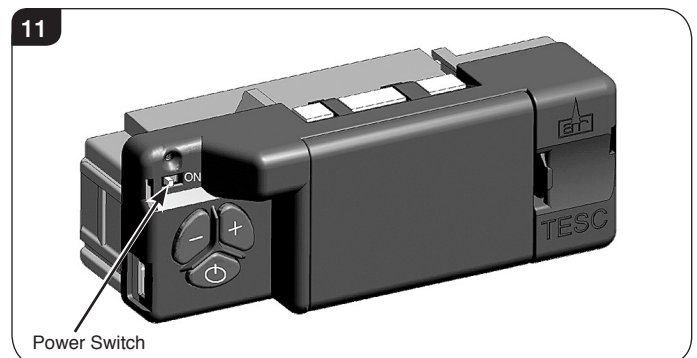
i **Note: Change the batteries in the handset before they are flat, to avoid having to reprogram the time of day in again. N.B. Pairing is not lost, even if the batteries are removed or flat.**

The appliance Control Box requires 3 AA size alkaline batteries.

The handset requires 2 AA size alkaline batteries.

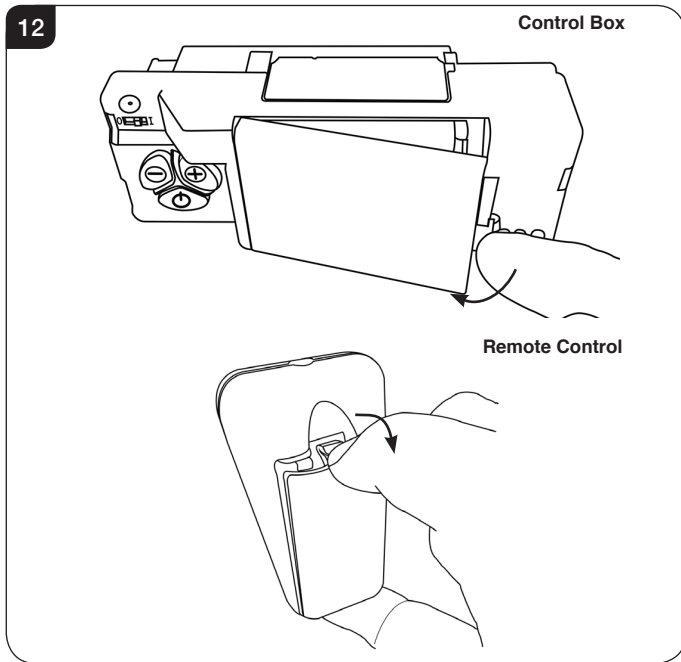
- 4a.1 The appliance battery is located in the Control Box at the bottom of the appliance behind the ash cover.

- 4a.2 **Slide the white Power Switch on the Control Box to the OFF position before attempting to change the batteries.**

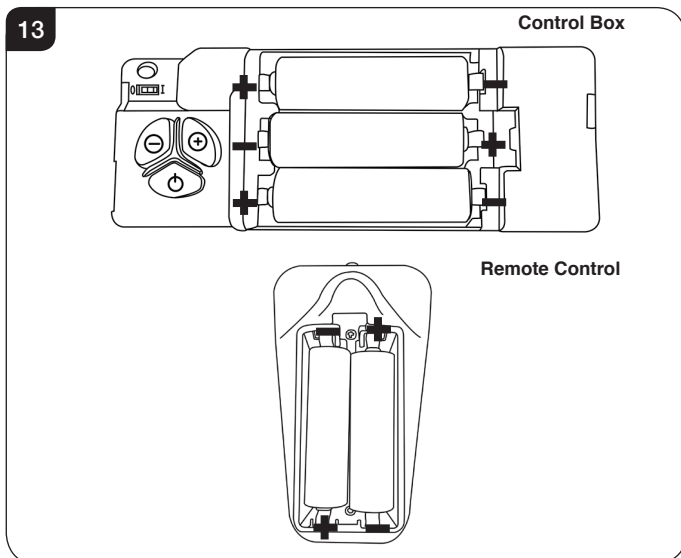


User Instructions

4a.3 The battery covers can be opened without tools by using a fingernail and pressing to unhook the clip that retains the cover, see Diagram 12.



4a.4 The orientation of these is shown molded into the battery compartment, see Diagram 13.

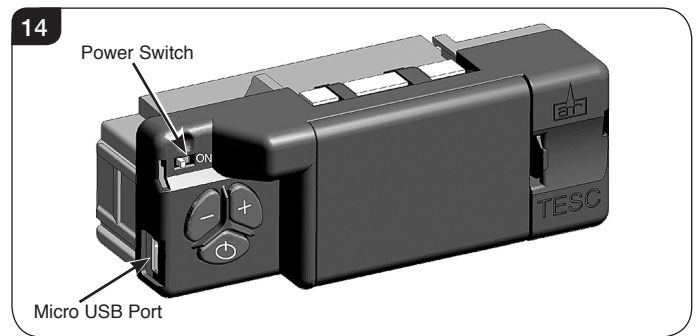


i **Power Supply via Micro USB**

It is possible to power the Control Box via a 5V Micro USB connection, see Diagram 14.
If a USB lead is used batteries are not required in the Control Box.

DO NOT CONNECT OTHER ELECTRIC DEVICES TO THE CONTROL BOX.

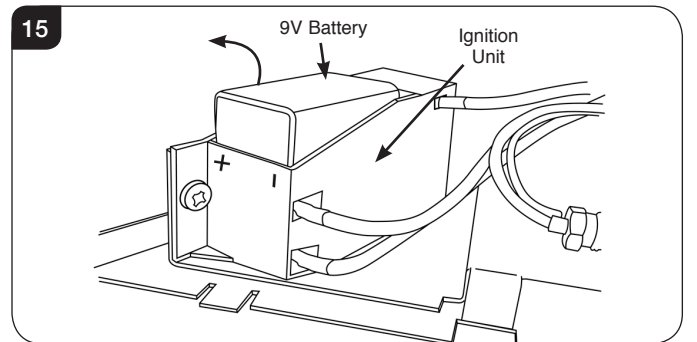
4a.5 After fitting the batteries, slide the white Power Switch on the Control Box to the ON position for the appliance to operate, see Diagram 14.



i **Note: The white Power Switch does not need to be turned off each time the appliance is not in use. However, if the appliance is left unattended for long periods of time (e.g. vacation), it is recommended to place the Power Switch into the off position.**

4b. Slide Control

4b.1 The battery box is located at the bottom left of the appliance behind the ash cover, see Diagram 15.

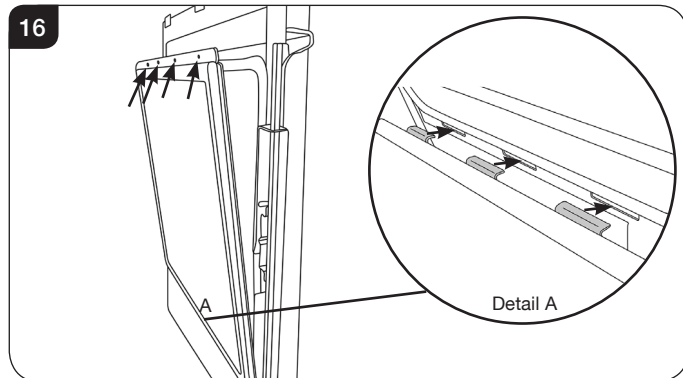


4b.2 Remove the old battery and replace with a new high quality (Duracell or similar) 9V battery.

User Instructions

5. Cleaning the Appliance

- 5.1 Make sure the appliance and surrounds are cool before trying to clean.
- 5.2 Refer to the separate decorative front instructions to remove the front from the appliance.
- 5.3 Remove the glass frame by removing the 4 screws in the retaining bracket, see Diagram 16.



- 5.4 Tilt the top of the glass frame forward and disengage the lower location tabs from the slots in the firebox, see Diagram 16, Detail A. Place carefully to one side.
- 5.5 To clean the glass surface, Gazco recommends you use hot soapy water.
- 5.6 The glass frame must be refitted to the appliance following cleaning or servicing. Ensure that the rope seal on the box is intact, then locate the glass frame location tabs into the slots on the firebox, see Diagram 16, Detail A.
- 5.7 Secure the glass frame using 4 screws in the retaining bracket, see Diagram 16. Replace ALL of the securing screws ensuring that a screw is present in all fixing slots.

NEVER OPERATE THE APPLIANCE WHEN THE GLASS FRAME IS REMOVED OR BROKEN.

Refer to the separate decorative front instructions to replace the front on the appliance.



UNDER NO CIRCUMSTANCES SHOULD THE APPLIANCE BE USED IF ANY OF THE GLASS FRAME RETAINING SCREWS ARE LOOSE OR MISSING.

6. Arrangement of the Fuel Bed

Advice on handling and disposal of fire ceramics



The fuel effect and side panels of this appliance are made from Refractory Ceramic Fibre (RCF), a material which is commonly used for this application.

Protective clothing is not required when handling these articles, but we recommend you follow normal hygiene rules of not smoking, eating or drinking in the work area and always wash your hands before eating or drinking.

To ensure that the release of RCF fibres are kept to a minimum, during installation and servicing a HEPA filtered vacuum is recommended to remove any dust accumulated in and around the appliance before and after working on it. When servicing the appliance it is recommended that the replaced items are not broken up, but are sealed within heavy duty polythene bags and labelled as RCF waste.

RCF waste is classed as stable, non-reactive hazardous waste and may be disposed of at a licensed landfill site.

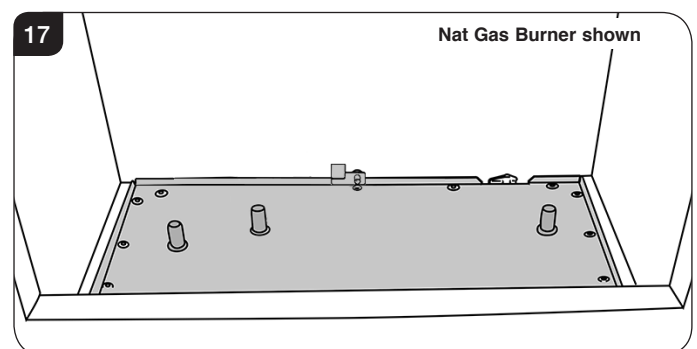
Excessive exposure to these materials may cause temporary irritation to eyes, skin and respiratory tract; wash hands thoroughly after handling the material.

7. Log Layout

LOGS MUST BE POSITIONED ACCORDING TO THE FOLLOWING INSTRUCTIONS TO GIVE THE CORRECT FLAME EFFECT.

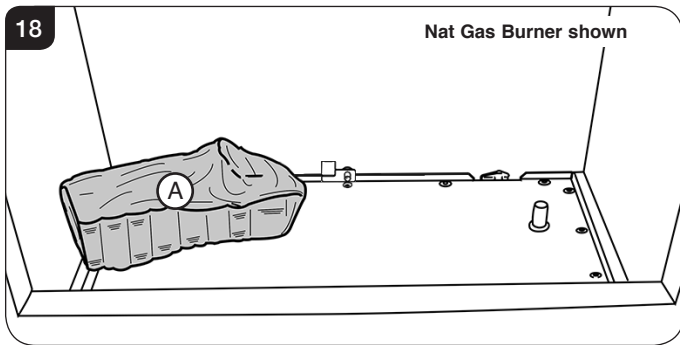
- 7.1 Ensure the burner tray is clean and free from any debris, see Diagram 17.

Note: The LPG and Nat Gas burner trays are visually different but the log layouts are the same.



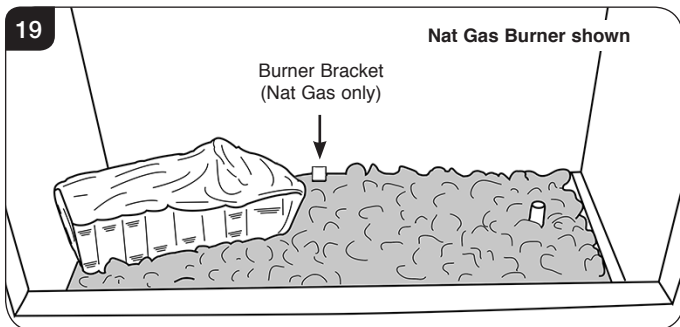
User Instructions

- 7.2 Place Log A in position on the 2 locating pins, see Diagram 18.



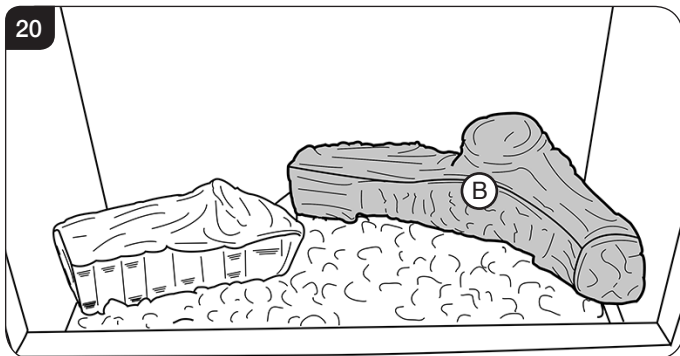
- 7.3 Spread the Lava Rock evenly over the fuel bed and around Log A, see Diagram 19.

Ensure that the fuel effect does not obstruct the pilot.

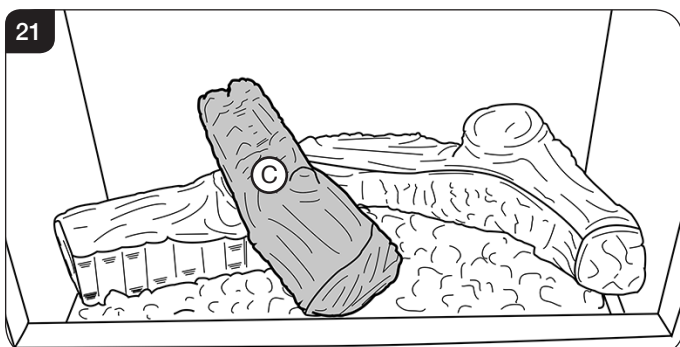


- 7.4 Log B is positioned on the right hand locating pin, and rests against the back liner, see Diagram 20.

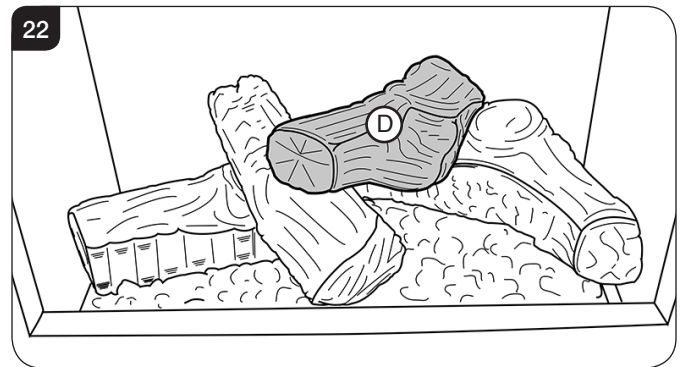
Nat Gas only - ensure that the left hand side rests on the burner bracket, see Diagrams 19 & 20.



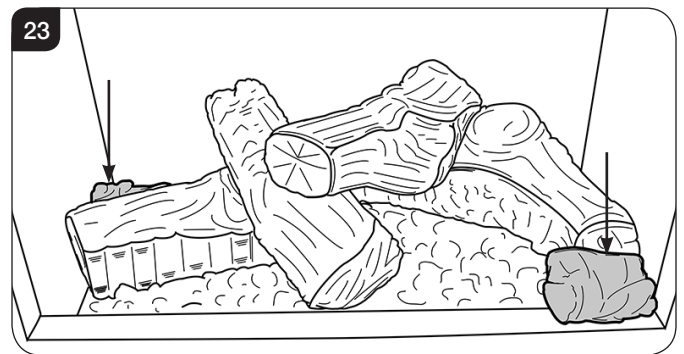
- 7.5 Log C rests on Log A and the front tray with the locating pin facing up, see Diagram 21.



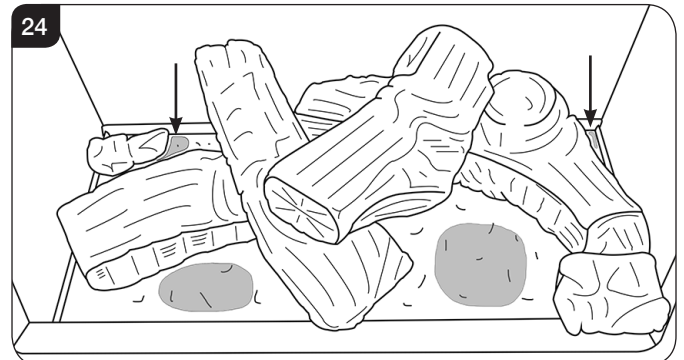
- 7.6 Log D fits onto the locating pin and rests on Log B, see Diagram 22.



- 7.7 Position the 2 embers in the front right and back left corners, see Diagram 23.



- 7.8 Sparingly spread an amount of the Embaglow fibres provided on the sections highlighted, see Diagram 24. Take care not to use more than half a packet per application. **WARNING - DO NOT PLACE NEAR THE PILOT AREA.**



8. Flame Failure Device

- 8.1 This is a safety feature incorporated on this appliance which automatically switches off the gas supply if the pilot goes out and fails to heat the thermocouple.

Remote Only: In the event of flame extinction the control will make several attempts to restart. DO NOT interrupt the valve during this process.

IF THIS OCCURS DO NOT ATTEMPT TO RELIGHT THE APPLIANCE FOR 3 MINUTES.

9. Running In

- 9.1 During initial use of a new GAZCO appliance a strong odour will be encountered as various surface coatings become hot for the first time. Although these odours are harmless it is recommended that the appliance is operated on maximum for 4 to 8 hours in order to fully burn off these coatings. After this period the odours should then disappear.

If the odours persists, please contact your installer for advice.

- 9.2 During the first few hours of burning there may be discolouration of the flames. This will also disappear after a short period of use.

10. Servicing

- 10.1 The appliance must be serviced every 12 months by a qualified GasSafe Engineer. In all correspondence always quote the Model number and the Serial number which may be found on the Commissioning Checklist (Page 3).

11. Ventilation

- 11.1 This appliance requires no additional ventilation.

12. Installation Details

- 12.1 Your installer should have completed the commissioning sheet at the front of this book. This records the essential installation details of the appliance. In all correspondence always quote the Model number and Serial number.

13. Hot Surfaces

- 13.1 Parts of this appliance become hot during normal use.
- 13.2 Regard all parts of the appliance as a working surface, except for the control access panel and the slider handle (slide control model only).
- 13.3 Provide a suitable fire guard to protect young children and the infirm.

Installation Instructions

Technical Specification

Covering the following models:

GAS TYPE	LOGIC HE BF	
	Remote Control	Slide Control
Nat Gas	101-014	101-281
LPG	101-666	101-516

Model	Gas Cat.	Gas Type	Working Pressure	Aeration	Injector	Gas Rate m ³ /hr	Input kW (Gross)		Country
							High	Low	
Logic HE BF Log Remote	I ₂ H	Natural Gas G20	20mbar	2 x 4mm	161	0.400	4.2	2.5	GB, IE
	I ₃ P	Propane G31	37mbar	2 x 12mm	104	0.154	4.1	2.5	GB, IE
Logic HE BF Log Slide	I ₂ H	Natural Gas G20	20mbar	2 x 4mm	161	0.419	4.3	2.6	GB, IE
	I ₃ P	Propane G31	37mbar	2 x 12mm	104	0.158	4.2	2.6	GB, IE
Efficiency 86% Net (Class 1)									
NOx Class 4									
Flue Outlet Size Ø 100mm									
Flue Inlet Size Ø 152mm									
Gas Inlet Connection Size Ø 8mm									

i The net efficiency of this appliance has been measured as specified in EN613:2001 and the result after conversion to gross using the appropriate factor from Table E4 of SAP 20012 is 79.9%. The test data has been certified by Kiwa Nederland BV. The gross efficiency value may be used in the UK Government's Standard Assessment Procedure (SAP) for energy rating of dwellings.

PACKING CHECKLIST

Qty Description	Fixing Kit containing:
Log Version 1 x Log Set 1 x Lava Rock	1 x Instruction Manual 1 x Embaglow 1 x 1.7m Silicone Seal 4 x Wall Plugs 4 x Wood Screws 1 x 9V Battery (Slide Only) 5 x AA Battery (Remote Only)

Installation Instructions

Technical Specification

Complete Front Options

FRONT	Remote	Slide Control
DESIGNIO	912-396, 912-018	-
DESIGNIO 2	901-493, 901-511, 901-526	901-539, 901-580, 901-643
VOGUE	901-398	
BEAT	901-350	
PROGRESS	912-239	-
TEMPO	912-197, 912-221, 912-316	901-385, 901-403, 901-414
WINCHESTER	8697MB + 8697HP	901-369, 901-372
DIMENSION2	912-322	-
RICHMOND	8679	-
STOCKTON	901-488	

Frame & Front Combinations

FRAMES				
	Box Profil2 Frame ***		Arts2 Frame ***	
FINISH	Remote	Slide	Remote	Slide
Matt Black	912-232	901-272	912-862	901-167
Polished Brass Effect	912-140	901-286	-	-
Polished Steel Effect	912-027	901-299	-	-
Brushed Steel Effect	912-358	901-310	-	-
Polished Brass	-	-	912-508	901-194
Polished Stainless	-	-	912-914	901-206
Brushed Stainless	-	-	912-268	901-214

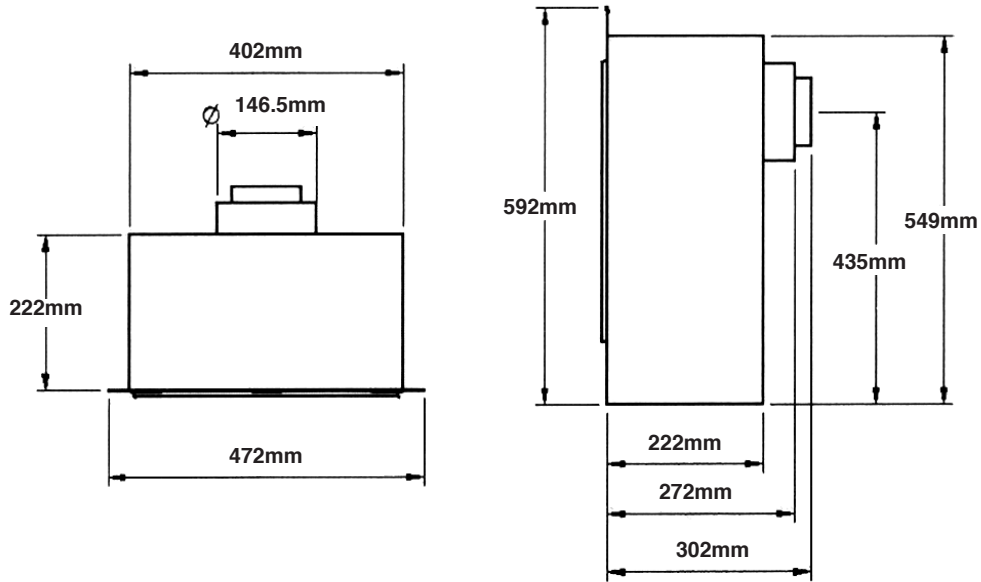
FRONTS					
	Arts Front	Wave Front	Chartwell Front	Holyrood Front *	Spanish Front *
FINISH	All Models	All Models	All Models	All Models	All Models
Matt Black	901-425	901-024	901-159	912-020	912-083
Polished Brass Effect	901-530	901-061	901-164	912-226	912-160
Highlight Polished	901-296	901-092	901-185	912-257	912-127
Polished Chrome	901-476	901-083	901-170	912-392	912-216

*** A Box Profil2 Frame or Arts2 Frame must be used in conjunction with an Arts, Wave, Chartwell, Holyrood or Spanish Front

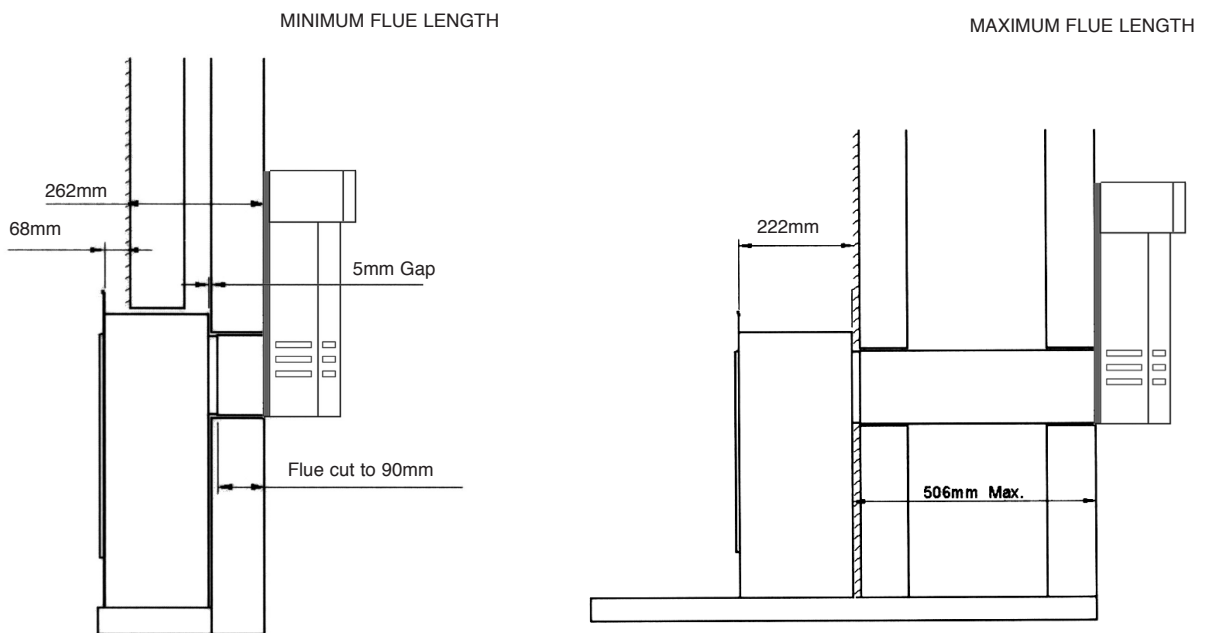
Installation Instructions

Technical Specification

OVERALL EXTERNAL DIMENSIONS



MINIMUM AND MAXIMUM FLUE SIZE



Installation Instructions

Site Requirements

1. Flue & Chimney Requirements

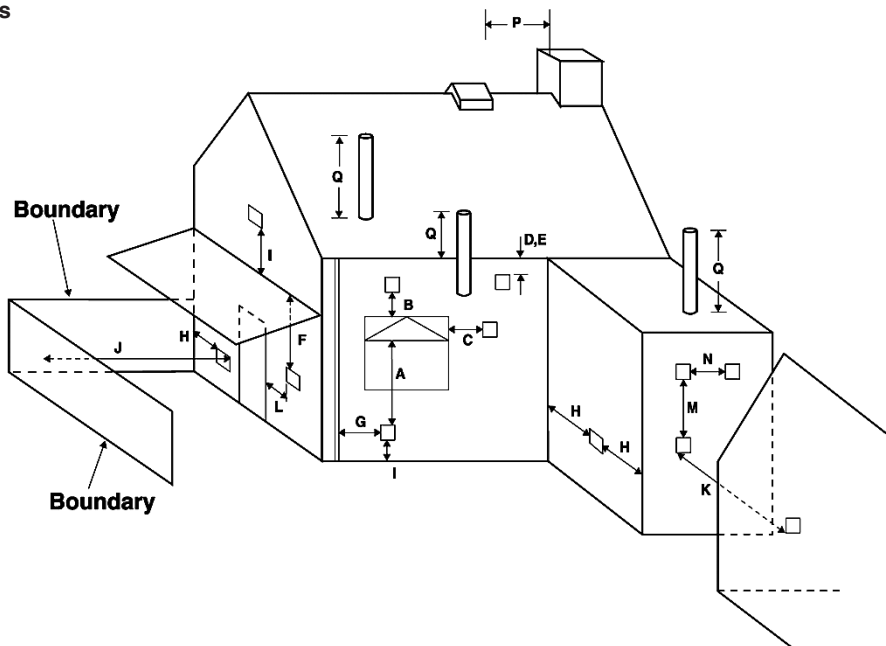
NOTE: This appliance can only be installed in conjunction with the flue supplied.

You must adhere to the following:

- 1.1 The flue must be sited in accordance with BS5440: Part 1 (latest edition), see Diagram 1.
- 1.2 Fit a guard to protect people from any terminal less than 2 metres above any access such as level ground, a balcony or above a flat roof.

- 1.3 The flue must be securely fixed and fire precautions followed in accordance with local and national codes of practice.
- 1.4 The horizontal terminal can be reduced in length, see Diagram 2.

1 UK Dimensions



Dimension	Terminal Position	Minimum Distance
A*	Directly below an opening	600mm
B*	Above an opening	300mm
C*	Horizontally next to an opening	400mm
D	Below gutters, soil pipes or drain pipe	300mm
E	Below eaves	300mm
F	Below balcony or car port roof	600mm
G	From a vertical drain pipe or soil pipe	300mm
H	From an internal or external corner or to a boundary alongside the terminal	600mm
I	Above ground, roof or balcony level	300mm

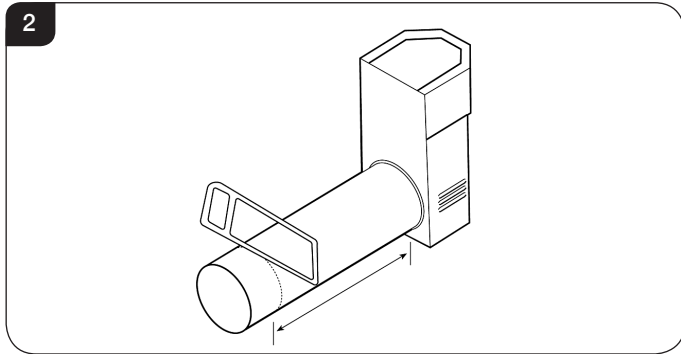
Dimension	Terminal Position	Minimum Distance
J	From a surface or boundary facing the terminal	600mm
K	From a terminal facing the terminal	600mm
L	From an opening in the car port (e.g. door, window) into the dwelling	1200mm
M	Vertically from a terminal on the same wall	1200mm
N	Horizontally from a terminal on the same wall	300mm
P	From a structure on the roof	600mm
Q	Above the highest point of intersection with the roof	300mm

* In addition, the terminal should not be nearer than 300mm to an opening in the building fabric formed for the purpose of accommodating a built-in element such as a window frame.

Installation Instructions

Site Requirements

2. Rear Flue



Terminal dimensions:
395 x 200 x 200 mm (H x W x D)
Guard supplied
Cut to length as required on site.

- 2.1 Decide on the terminal position.
 - 2.2 Measure the height from the finished hearth level/ base of the appliance to the centre of the required hole.
 - 2.3 A masonry installation requires the addition of a suitable lintel to support the opening. Refer to Installation Instructions, Technical Information for details of the flue length.
- NOTE - Carefully consider:
- a) Terminal positions
 - b) Flue supports
 - c) Weatherproofing
 - d) Fire precautions
- For all the above options, you must conform to local and national codes of practice.
- 2.4 Use only Gazco supplied flue on this appliance.
 - 2.5 A guard (supplied) must be fitted to any terminal less than 2 metres above any access such as level ground, a balcony or above a flat roof.

Timber Framed Buildings

- 2.6 It will be necessary to provide additional clearance when the flue passes through a wall containing any combustible materials so as to prevent a fire hazard.
- 2.7 The hole through which the flue will pass, must have a steel sleeve which is positioned so that an air gap of at least 25mm is maintained between the outer surface of the flue, and any part of the sleeve.
- 2.8 For further guidance on the installation of gas appliances in timber framed buildings, contact your local buildings control authority.

3. Gas Supply

- 3.1 Before installation, ensure that the local distribution conditions (identification of the type of gas and pressure) and the adjustment of the appliance are compatible.
- 3.2 Ensure the gas supply delivers the required amount of gas and is in accordance with the rules in force.
- 3.3 Factory-sheathed/wrapped soft copper tubing with small ridges which allow pipe movement are considered to be a suitable alternative to a pipe sleeve, when recessing the unit into a cavity wall the gas supply is best fed through the wall from the outside. Soft soldered joints can only be used outside the appliance.
- 3.4 This appliance is supplied complete with a factory fitted isolation device incorporated into the inlet connection. No further isolation device is therefore required.

4. Ventilation

- 4.1 This appliance requires no additional ventilation.

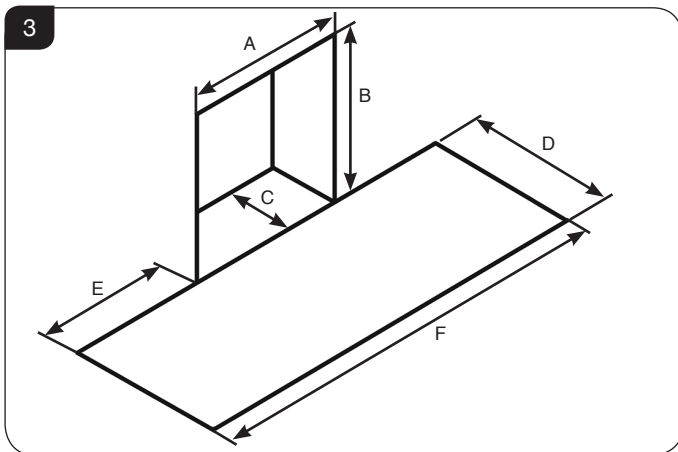
Installation Instructions

Site Requirements

5. Appliance Location

NOTE: It is recommended you construct the back panel of the fireplace from natural materials cut into three or more sections to prevent cracking. Resin-based materials may not be suitable. This appliance is an effective heat producer and attention must be paid to the construction and finish of the fireplace.

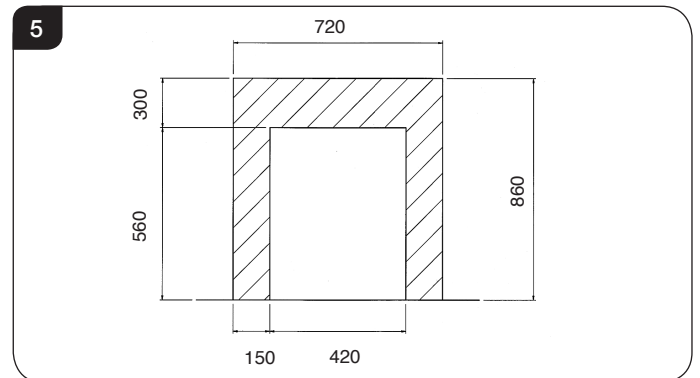
- 5.1 This appliance must stand on a non-combustible hearth that is at least 12mm thick.
- 5.2 It must be fitted into a non-combustible opening. The minimum dimensions shall be as shown in Diagram 3.



Dimensions	Min	Max
A	420mm	450mm
B	560mm	575mm
C	230mm	-
D	300mm	-
E	150mm	-
F	720mm	750mm

- 5.3 These appliances must be hearth mounted into a fireplace opening conforming to National Standards.
- 5.4 If the appliance is greater than 50mm above the floor, then no hearth is required, although due consideration should be given to how the heat may affect the floor material.
- 5.5 This appliance can only be installed on an outside wall with suitable clearances for the flue terminal and guard (if required).

- 5.6 This appliance is not suitable for installation into a combustible wall. All combustible material must be removed from the area shown, see Diagram 5.



- 5.7 The maximum depth of combustible shelf is 150mm at a minimum height of 300mm above the fireplace opening.

Installation Instructions

1. Safety Precautions

- 1.1 For your own and other's safety, you must install this appliance according to local and national codes of practice. Failure to install the appliance correctly could lead to prosecution. **Read these instructions before installing and using this appliance.**
- 1.2 These instructions must be left intact with the user.
- 1.3 Do not attempt to burn rubbish on this appliance.
- 1.4 Keep all plastic bags away from young children.
- 1.5 Do not place any object on or near to the appliance and allow adequate clearance above the appliance.

IF THE APPLIANCE IS EXTINGUISHED OR GOES OUT IN USE, WAIT 3 MINUTES BEFORE ATTEMPTING TO RELIGHT THE APPLIANCE.



IMPORTANT: REFER TO DATA BADGE AND TECHNICAL SPECIFICATION AT THE FRONT OF THE MANUAL TO ENSURE THE APPLIANCE IS CORRECTLY ADJUSTED FOR THE GAS TYPE AND CATEGORY APPLICABLE IN THE COUNTRY OF USE.

FOR DETAILS OF CHANGING BETWEEN GAS TYPES REFER TO SERVICING, SECTION 13, REPLACING PARTS.

Unpacking

- 1.6 Remove the appliance from its packaging, and check that it is complete and undamaged.

Put the loose ceramic parts to one side so that they are not damaged during installation.

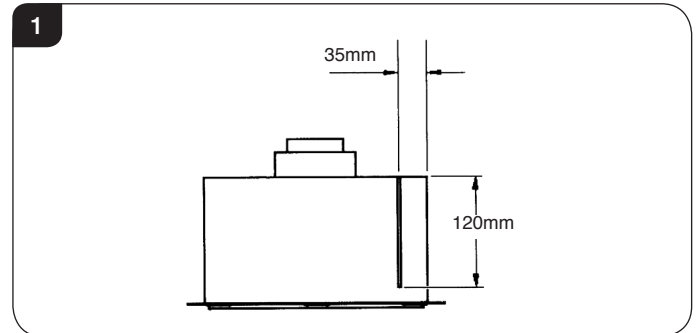
2. Installation of the Gas Supply

For specific gas types and working pressures see **Technical Specification, page 14.**

TO CHANGE FROM ONE GAS TYPE TO ANOTHER A COMPLETE ENGINE ASSEMBLY AND DATA BADGE WILL BE REQUIRED. SEE SECTION 10 REPLACING PARTS.

- 2.1 Before installation, ensure that the local distribution conditions (identification of the type of gas and pressure) and the adjustment of the appliance are compatible. See Technical Specification on page 14.

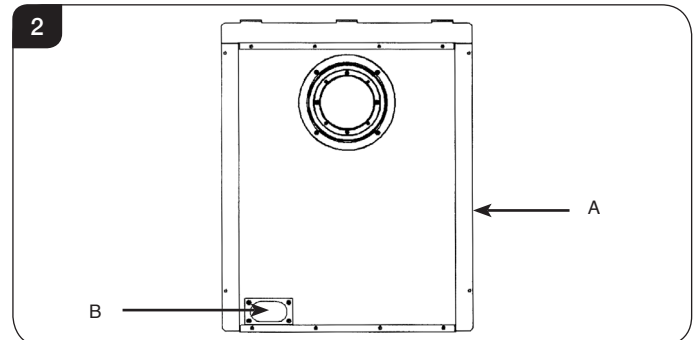
- 2.2 The position of the gas inlet pipe is shown, see Diagram 1.



- 2.3 All supply pipes must be purged of any debris that may have entered, prior to connection to the appliance.
- 2.4 The gas supply enters through the silicone panel located on the rear of the outer box. This will need to be slit with a sharp knife prior to passing the supply pipe through.

3. Preparing the Appliance

- 3.1 Remove the backing from the self-adhesive silicone sealing strip and apply to the rear flange of the firebox ensuring that the strip is positioned as close to the outer edge as is practically possible, see Diagram 2, Arrow A.

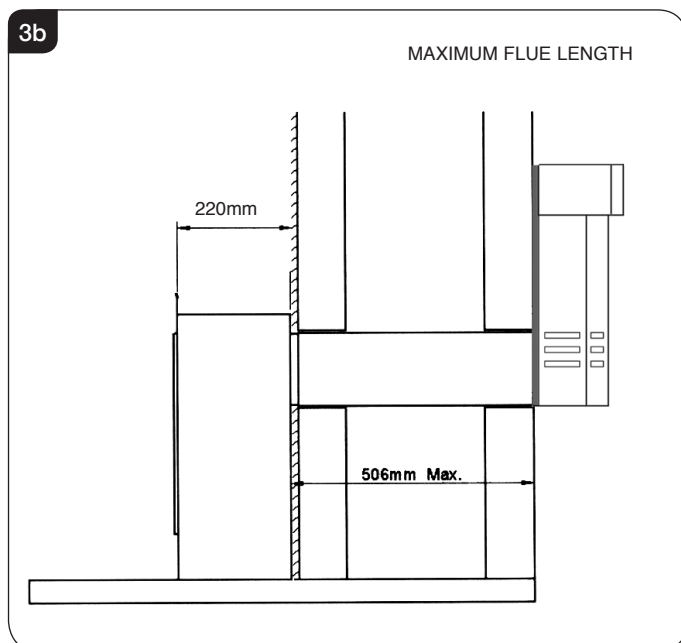
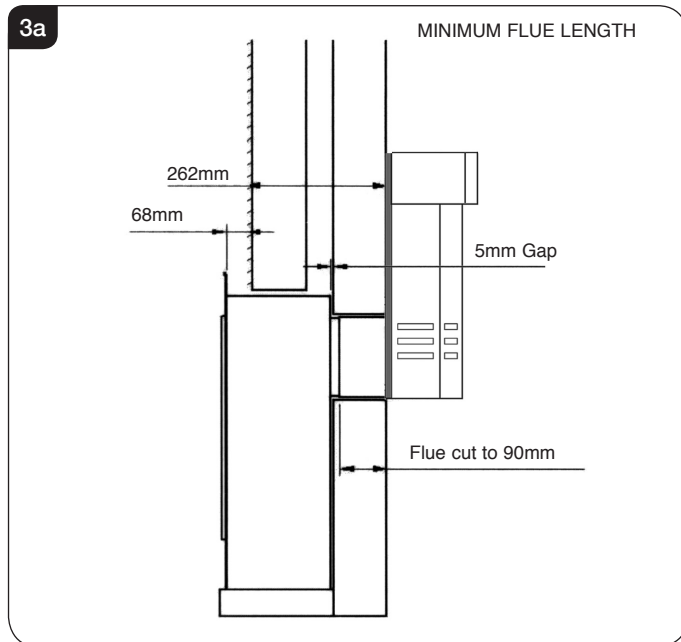


- 3.2 Gas pipe entry must come through the rear right-hand side of the box. The rubber seal must be cut using a sharp knife to allow the isolating elbow to pass through it. Ensure the rubber is not damaged when doing this, see Diagram 2, Arrow B.
- 3.3 A means of isolation is provided with the appliance. This must be fitted to the supply pipe prior to installing the firebox.

Installation Instructions

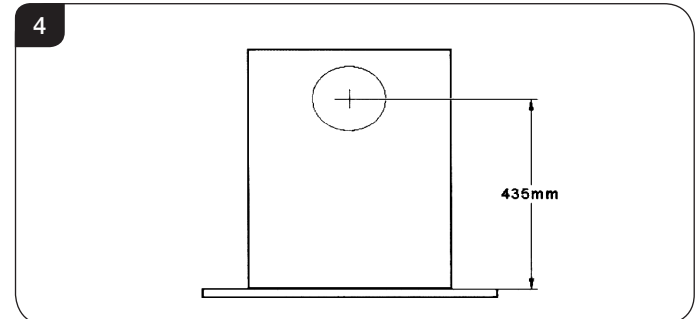
3.4 The appliance can either be recessed into an inner leaf of the wall. A 75mm rebated surround must be used with this method. Or it can be installed in front of the wall in conjunction with a fire surround constructed of a studwork frame, Diagram 3a & 3b for options.

If using a back panel constructed from natural materials such as stone, the panel should consist of 3 or more sections to reduce the risk of cracking.



4. Non Recessed Installation

4.1 Mark the position of the flue on the inner wall by measuring from the top of the finished hearth level, Diagram 4.



4.2 A 152mm (6") diameter hole is required to install the flue.

This can be achieved by either:

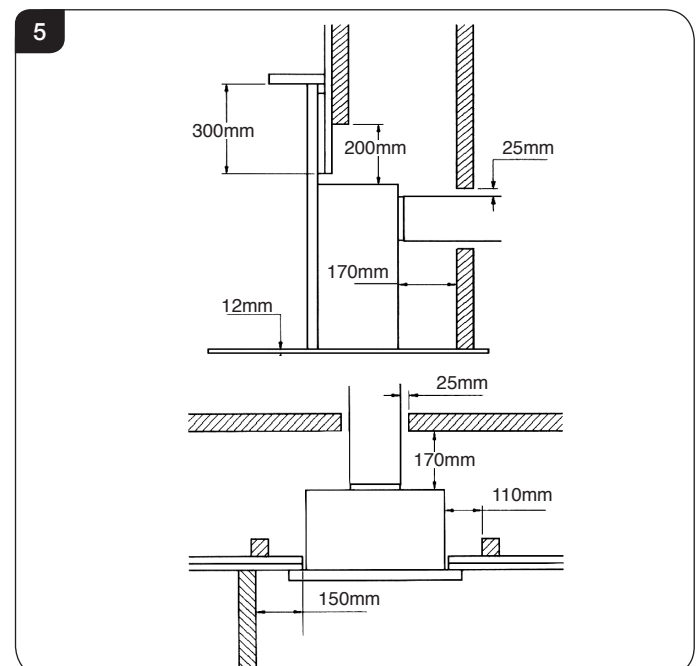
- a) Core drill
- b) Hammer and chisel.

It is advisable to drill small holes around the circumference when using method b. Make good both ends of the hole.

4.3 It will now be necessary to construct a studwork frame to house the appliance. The minimum depth of the aperture must be 230mm. This includes an air gap of 5mm behind the appliance. The sides must be lined with non-combustible material for the full depth of the aperture.

4.4 Combustible parts of the studwork frame must not be any closer than the minimum dimensions shown in Diagram 5. These dimensions need to be maintained even if the frame work is protected by non combustible material.

4.5 Do not pack the void around or above the appliance with insulation material such as mineral wool.



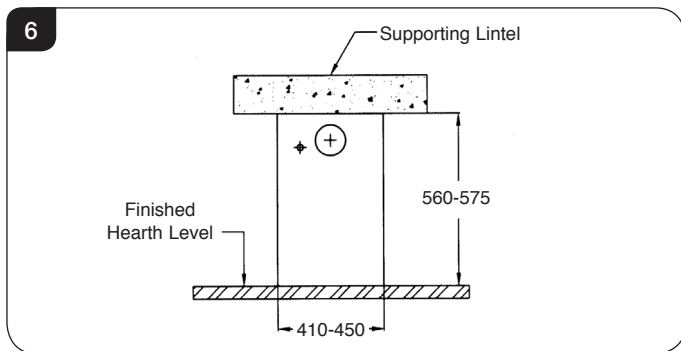
Installation Instructions

- 4.6 The void into which the appliance is fitted must be ventilated to prevent a build up of heat. If the void is sealed then it will be necessary to fit vents at both low and high levels of approximately 50cm². These vents should take cold air from the room and return warm air back into the room.

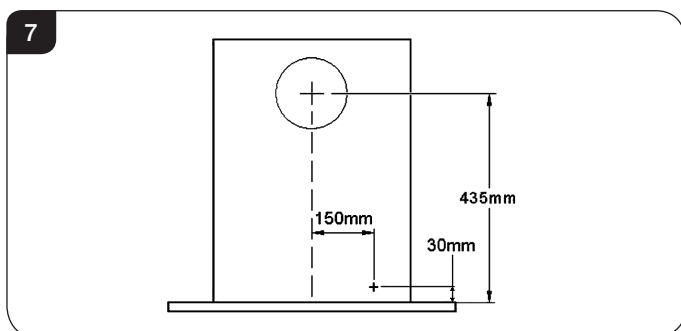
5. Recessed Installation

This method of installation requires structural alteration to the intended location. A suitable supporting lintel must be installed to maintain the structural integrity of the surrounding blockwork.

- 5.1 Mark the position of the lintel so that it sits centrally over the intended installation. Remove the blockwork and install the lintel using mortar to ensure a strong bond with the surrounding wall, see Diagram 6.



- 5.2 With the lintel in position mark the width of the aperture and remove the blockwork.
- 5.3 Seal the cavity with non combustible board, to prevent any insulation touching the appliance.
- 5.4 Ensure that there is a minimum of 5mm gap left between the back of the appliance and the outer wall. **There must be no combustible materials behind this appliance.**
- 5.5 Mark the position of the flue on the wall by measuring from the top of the finished hearth level, see Diagram 7.



- 5.6 A 152mm (6") diameter hole is required to install the flue.

This can be achieved by either:

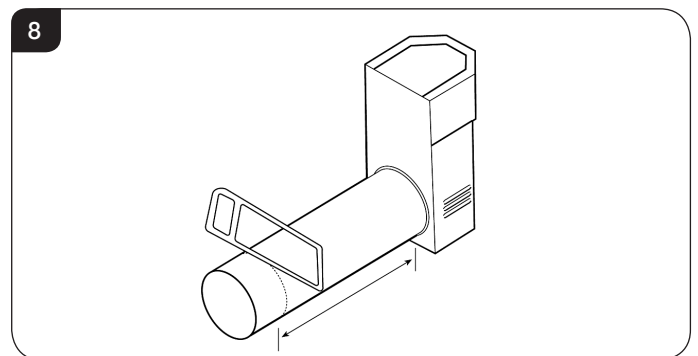
- Core drill
- Hammer and chisel

It is advisable to drill small holes around the circumference when using method b. Make good both ends of the hole.

6. Installation of the Appliance

Flue Length

- 6.1 With the appliance secured in place, (minimum 10mm gap between the back of appliance and the wall) measure the distance from the back of the appliance to the outside face of the wall. Deduct 18mm from this measurement.
- 6.2 Insert the square cardboard sleeve into the flue to support the inner tube.
- 6.3 Cut through the flue and sleeve, see Diagram 8.



- 6.4 **REMOVE THE CARDBOARD REMNANTS FROM THE FLUE.**

- 6.5 File the cut edges smooth.

Terminal

On the outside wall:

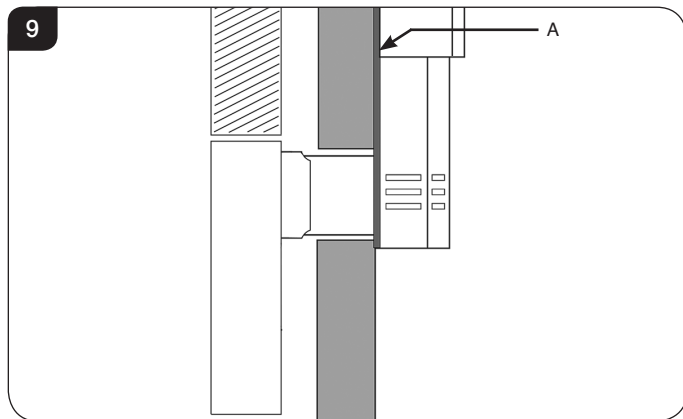
- 6.6 Position the flue assembly into the hole. The terminal should be flat against the wall.
- 6.7 Make sure the terminal is vertical, see Diagram 8.
- 6.8 Mark the 4 fixing holes.
- 6.9 Remove the terminal to drill the holes.
- 6.10 Insert wall plugs supplied.

DO NOT FIX THE FLUE AT THIS STAGE.

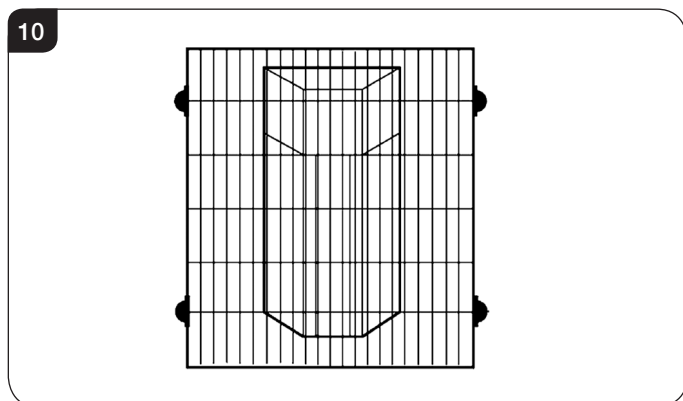
Installation Instructions

Flue and Appliance Fixings

- 6.11 Position the appliance observing appropriate clearances.
- 6.12 Apply a bead of suitable weatherproof sealant (silicone or similar) to perimeter of back face of terminal, see Diagram 9.



- 6.13 Feed the flue through the wall, making sure it runs smoothly.
- 6.14 Engage the flue in the inner and outer spigots.
- 6.15 Make sure rubber seal on the inner spigot is not damaged, it may be necessary to lubricate the seals with washing up liquid (or similar) to ease assembly.
- 6.16 Insert 4 screws in the flanges of the flue terminal.
- 6.17 Check sealant has formed a water-tight joint to the wall.
- 6.18 Any terminal less than 2m above any access (level ground, balcony or flat roof with access) must be fitted with the guard supplied, see Diagram 10.



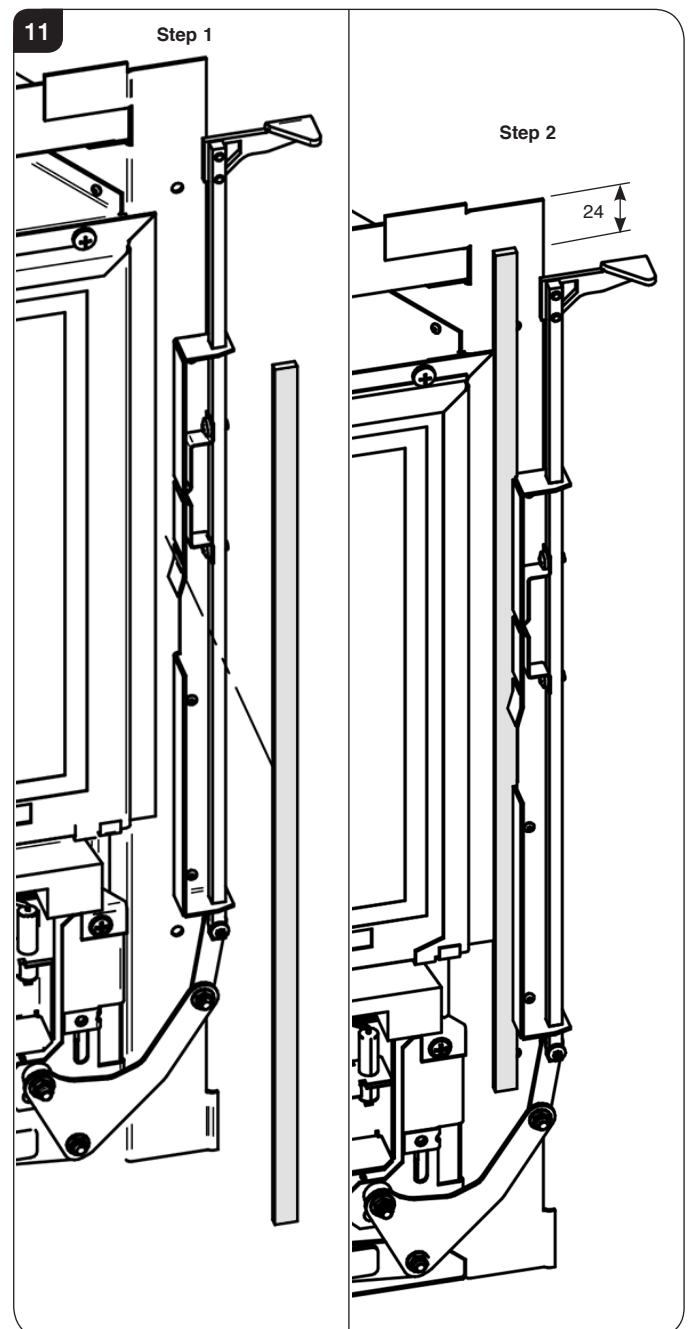
- 6.19 PURGE THE SUPPLY PIPE. This is essential to expel any debris that may block the gas controls. Connect the elbow to the appliance inlet pipe.
- 6.20 Connect a suitable pressure gauge to the test point located on the inlet elbow and turn the gas on.
- 6.21 Light the appliance and check for leaks.
- 6.22 Turn the appliance to maximum and check that the supply pressure is as stated on the databadge
- 6.23 Turn the gas supply off and replace the test point screw. Turn the gas on and check the test point for leaks.

Foam Seal (Slide Control Models only)

The foam seal must be fitted to the appliance prior to attaching the decorative front.

- 6.24 On the right hand side of the appliance, place the foam seal in the channel between the glass frame and the slide control housing, see Diagram 11.

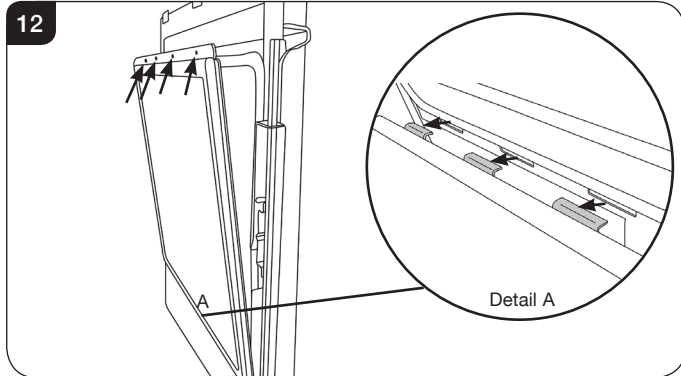
The foam seal must align with the right hand side of the glass frame and 24mm below the top of the appliance flange, see Diagram 11.



Installation Instructions

7. Removing the Glass Frame

- 7.1 Remove the glass frame by removing the 4 screws in the retaining bracket, see Diagram 12.



- 7.2 Tilt the top of the glass frame forward and disengage the lower location tabs from the slots in the firebox, see Diagram 12, Detail A. Place carefully to one side.

8. Arrangement of the Fuel Bed

Advice on handling and disposal of fire ceramics



The fuel effect and side panels of this appliance are made from Refractory Ceramic Fibre (RCF), a material which is commonly used for this application.

Protective clothing is not required when handling these articles, but we recommend you follow normal hygiene rules of not smoking, eating or drinking in the work area and always wash your hands before eating or drinking.

To ensure that the release of RCF fibres are kept to a minimum, during installation and servicing a HEPA filtered vacuum is recommended to remove any dust accumulated in and around the appliance before and after working on it. When servicing the appliance it is recommended that the replaced items are not broken up, but are sealed within heavy duty polythene bags and labelled as RCF waste.

RCF waste is classed as stable, non-reactive hazardous waste and may be disposed of at a licensed landfill site.

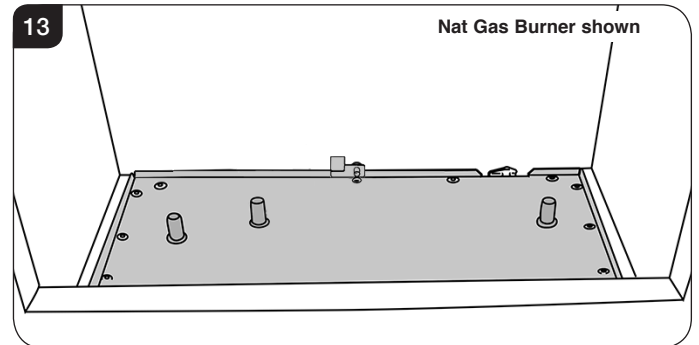
Excessive exposure to these materials may cause temporary irritation to eyes, skin and respiratory tract; wash hands thoroughly after handling the material.

9. Log Layout

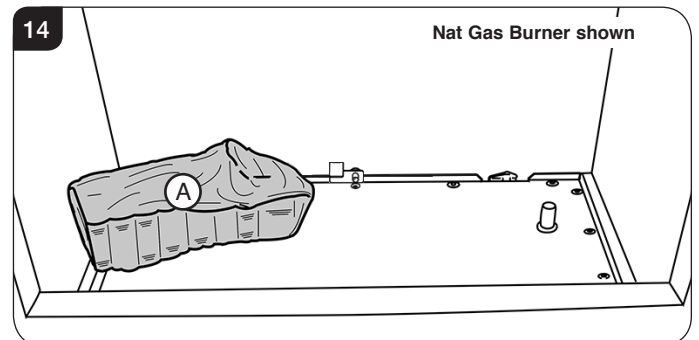
LOGS MUST BE POSITIONED ACCORDING TO THE FOLLOWING INSTRUCTIONS TO GIVE THE CORRECT FLAME EFFECT.

- 9.1 Ensure the burner tray is clean and free from any debris, see Diagram 13.

Note: The LPG and Nat Gas burner trays are visually different but the log layouts are the same.

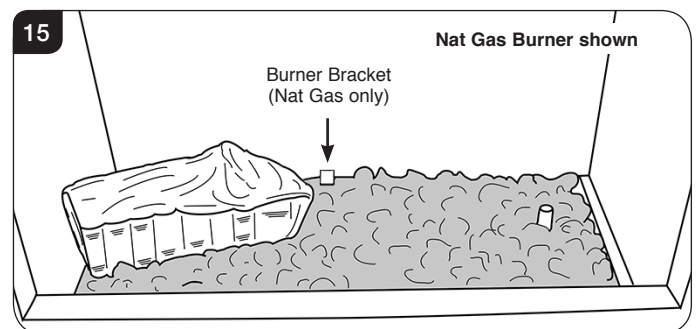


- 9.2 Place Log A in position on the 2 locating pins, see Diagram 14.



- 9.3 Spread the Lava Rock evenly over the fuel bed and around Log A, see Diagram 15.

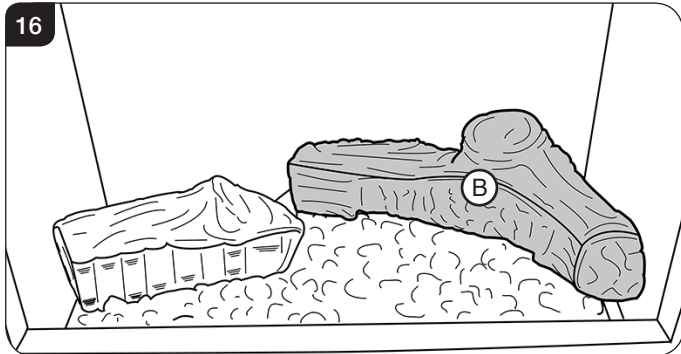
Ensure that the fuel effect does not obstruct the pilot.



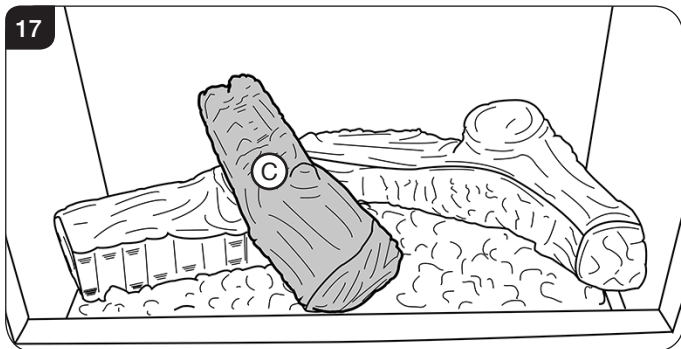
Installation Instructions

- 9.4 Log B is positioned on the right hand locating pin, and rests against the back liner, see Diagram 16.

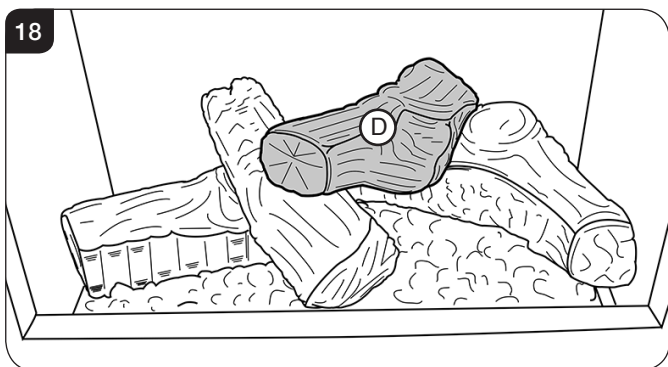
Nat Gas only - ensure that the left hand side rests on the burner bracket, see Diagrams 15 & 16.



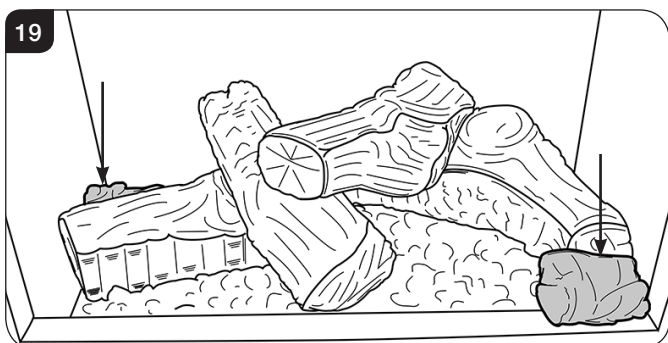
- 9.5 Log C rests on Log A and the front tray with the locating pin facing up, see Diagram 17.



- 9.6 Log D fits onto the locating pin and rests on Log B, see Diagram 18.

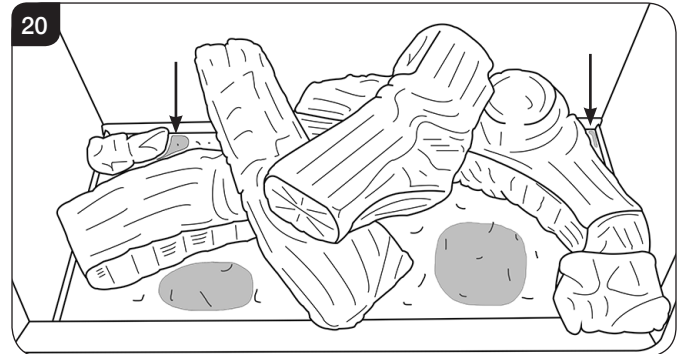


- 9.7 Position the 2 embers in the front right and back left corners, see Diagram 19.



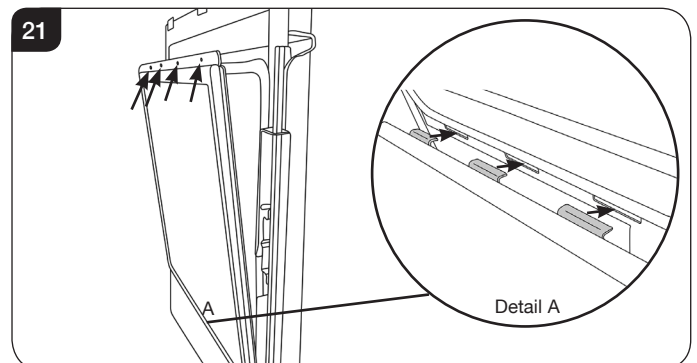
- 9.8 Sparingly spread an amount of the Embaglow fibres provided on the sections highlighted, see Diagram 20. Take care not to use more than half a packet per application.

WARNING - DO NOT PLACE NEAR THE PILOT AREA.



10. Fitting the Glass Frame

- 10.1 Ensure that the rope seal on the box is intact, then locate the glass frame location tabs into the slots on the firebox, see Diagram 21, Detail A.
- 10.2 Secure the glass frame using 4 screws in the retaining bracket, see Diagram 21. Replace ALL of the glass frame securing screws ensuring that a screw is present in all fixing slots.



NEVER OPERATE THE APPLIANCE WHEN THE GLASS FRAME IS REMOVED OR BROKEN.

Refer to the separate decorative front Instructions to replace the front on the appliance.

! UNDER NO CIRCUMSTANCES SHOULD THE APPLIANCE BE USED IF ANY OF THE GLASS FRAME RETAINING SCREWS ARE LOOSE OR MISSING.

Operating the Appliance

There are 2 types of control systems available for this appliance:

Section 11 Manual and Remote Control

Section 12. Slide Control

Follow the relevant section for specific operation.

Installation Instructions

11. Manual and Remote Control

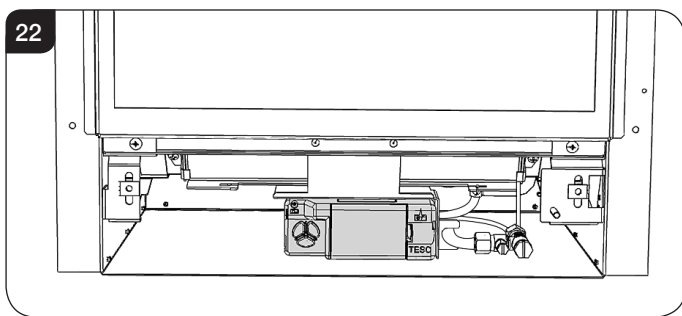
There are two ways of lighting the appliance:

11a. Using the Manual Controls on the Control Box (located on the appliance).

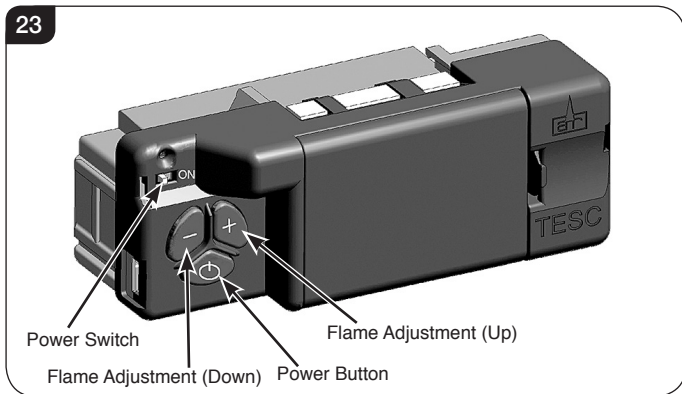
11b. By thermostatic remote control.

11a. Manual Operation (Control Box)

11a.1 The manual controls are located on the Control Box at the bottom of the appliance, behind the ash cover, see Diagram 22.



11a.2 There are a series of buttons on the left hand side of the Control Box, see Diagram 23.



To operate the appliance the white Power Switch on the Control Box must be switched ON.

Note: The white Power Switch does not need to be turned off each time the appliance is not in use. However, if the appliance is left unattended for long periods of time (e.g. vacation), it is recommended to place the Power Switch into the off position.

Turning the appliance on:

11a.3 Press and hold the Power Button for 1 second and release. The burner will light within 2 seconds.

11a.4 Use + and - buttons to adjust the flame height between Minimum and Maximum.

Turning the appliance off

11a.5 Press the power button to turn the appliance off.

i **IMPORTANT: YELLOW FLAMES TYPICALLY APPEAR WHEN THE APPLIANCE HAS REACHED NORMAL OPERATING TEMPERATURE. THIS CAN TAKE UP TO 30 MINUTES.**

! **WARNING: IF THE APPLIANCE FAILS TO LIGHT OR BECOMES EXTINGUISHED IN USE, WAIT 3 MINUTES BEFORE ATTEMPTING TO RELIGHT.**

THE APPLIANCE MAY TAKE SEVERAL AUTOMATIC ATTEMPTS TO RESTART. DO NOT INTERRUPT THE VALVE DURING THIS PROCESS.

11b. Remote Control

To operate the appliance the white Power Switch on the Control Box must be switched ON.

i **To activate the Remote Control it will be necessary to cradle the handset to unlock. The green light will illuminate to show the handset is ready to use. IMPORTANT: Continue to cradle the handset throughout an operation to keep it unlocked. If the green light goes off during an operation it will be necessary to reposition the handset so the light comes back on and restart the operation.**



Handset Initial Set Up

Following initial set up or new pairing it will be necessary to set the time and date.

i **Note: Pressing SET button will advance the display to the next screen and pressing MODE button will return it to the previous setting.**

Installation Instructions

Setting the Time

11b.1 Once the handset is paired the screen will show that the time is not yet set, see Diagram 5. The handset will then automatically progress to the next setup screen, see Diagram 25.



Setting the display for 12 or 24 Hour Clock

11b.2 Holding the remote to keep the green light on and the handset unlocked the handset will display an H:24, see Diagram 26.



24 denotes a 24 hour clock and 12 denotes a 12 hour clock.

11b.3 Press the + or - button on the handset to toggle between the two settings. Press the SET button to confirm and progress to setting the day of the week.

Setting the Day of the Week

11b.4 Press and release the + and - buttons until the correct day of the week is shown on the display.



Mo = Monday, **Tu** = Tuesday, **We** = Wednesday, **Th** = Thursday, **Fr** = Friday, **Sa** = Saturday and **Su** = Sunday.

11b.5 Press SET to confirm the day of the week and progress to setting the time.

Setting the Hour

11b.6 Press and release the + or - button to change the hour to the correct hour. Press SET to confirm and progress to setting the minute.



Setting the Minutes

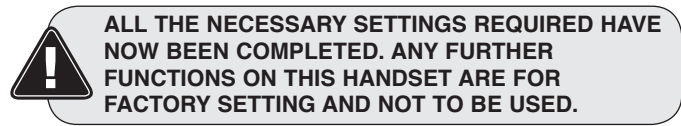
11b.7 Repeat the process to change the minutes.

Setting the Temperature Display (Celsius or Fahrenheit)

11b.8 Press and release the + or - button to toggle between C and F. When the display shows the desired symbol, press and release the SET button to store.



11b.9 Place the handset down and wait until the home screen is displayed and the unlock light goes off.



ALL THE NECESSARY SETTINGS REQUIRED HAVE NOW BEEN COMPLETED. ANY FURTHER FUNCTIONS ON THIS HANDSET ARE FOR FACTORY SETTING AND NOT TO BE USED.

The Handset is now ready to operate the appliance.

Installation Instructions

Operating the Appliance

Turning the appliance on

11b.10 Press the Power Button until Pilot flashes on the display.

11b.11 Release the Power Button and the Flame symbol will appear on the display.

If the button is held the command will be cancelled for safety reasons.

11b.12 Holding the handset to unlock, use + and - buttons to adjust the flame height between Minimum and Maximum.

Turning the appliance off

11b.13 Holding the handset to unlock, press the power button to turn the appliance off.

i **IMPORTANT: YELLOW FLAMES TYPICALLY APPEAR WHEN THE APPLIANCE HAS REACHED NORMAL OPERATING TEMPERATURE. THIS CAN TAKE UP TO 30 MINUTES.**

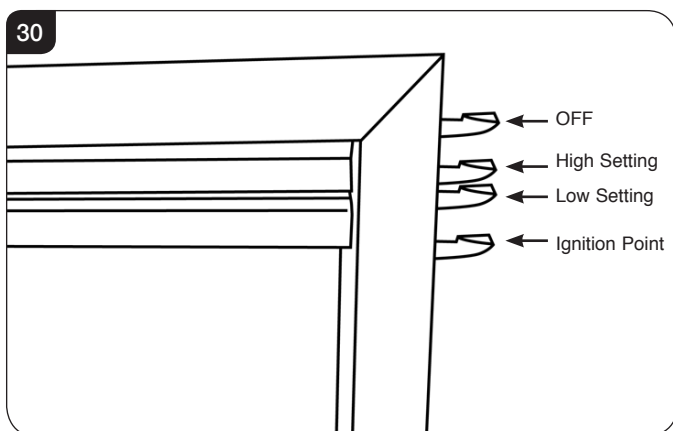
! **WARNING: IF THE APPLIANCE FAILS TO LIGHT OR BECOMES EXTINGUISHED IN USE, WAIT 3 MINUTES BEFORE ATTEMPTING TO RELIGHT.**

THE APPLIANCE MAY TAKE SEVERAL AUTOMATIC ATTEMPTS TO RESTART. DO NOT INTERRUPT THE VALVE DURING THIS PROCESS.

12. Slide Control

This appliance is operated using the slide control on the top right hand side of the decorative front.

When the appliance is OFF the slide control will be at the highest point, see Diagram 30.



Lighting the Pilot

12.1 Push the slide control down as far as possible to its lowest point, see Diagram 30, this is the ignition point.

Keep the slide control pressed down for 5 seconds to ensure the pilot is lit. Then release.

The appliance should light on its lowest setting.

12.2 When released the slide control automatically raises to a natural stop point, see Diagram 30.

Repeat the above steps if the appliance does not light.

12.3 If, after repeating the above steps the pilot does not light, contact your Retailer or Installer.

Adjusting the Flame height

12.4 Increase the flame height and temperature by carefully moving the slide control up until the next stop point is felt, see Diagram 29. This denotes the highest setting.

12.5 Carefully move the slide control down to the lower stop point to return to the lowest setting.

i **IMPORTANT: YELLOW FLAMES TYPICALLY APPEAR WHEN THE APPLIANCE HAS REACHED NORMAL OPERATING TEMPERATURE. THIS CAN TAKE UP TO 30 MINUTES.**

! **WARNING: IF THE APPLIANCE FAILS TO LIGHT OR BECOMES EXTINGUISHED IN USE, WAIT 3 MINUTES BEFORE ATTEMPTING TO RELIGHT.**

Switching OFF the Appliance

12.6 To turn the appliance off lift the slide control to its highest stop point, see Diagram 30. The pilot goes out.

Commissioning

1. Commissioning

- 1.1 Complete the Commissioning Checklist at the front of this manual covering:
- Thermocouple soundness checks.
This is to include ensuring the thermocouple is secure on the pilot bracket assembly, lead connection and integrity.
 - Flue checks
 - Gas checks
 - Fuel effect layout - flame picture
- 1.2 Upon completion of the commissioning and testing of the installation and correct operation of the appliance, the installer must instruct the user how to operate the appliance.
- 1.3 Guide the user through the User Instructions paying particular attention to:
- a) Regular servicing (Section 10 of the User Instructions).
 - b) Ventilation (Section 11 of the User Instructions) - point out the ventilation positions where applicable.
 - c) Hot surfaces (Section 13 of the User Instructions).

2. Pairing the Appliance (Remote Version Only)

It may be necessary to pair the handset to the appliance following servicing.

- 2.1 Ensure the white Power switch on the Control Box is in the ON position.
- 2.2 Cradle the handset to unlock.
The green light must be illuminated for the handset to accept commands.
- 2.3 Simultaneously press and hold the - and + buttons on the Control Box, until the red light flashes on the Control Box.
- 2.4 Immediately press the Power Button on the Control Box.

The handset emits a short beep, the green light on the handset flashes and the following icon is displayed, see Diagram 1.



- 2.5 With the display showing the icon press and hold the SET button to pair the handset to the appliance.
- 2.6 Following new pairing it will be necessary to set the time and date, see Installation Instructions, Section 11b.

If too much time passes without the SET command the display will show the following, see Diagram 2.



The handset has not paired and the process will need to be started again.

Servicing Instructions

Servicing/Fault Finding Charts

1. Servicing Requirements

IMPORTANT – The glass panel on this appliance should be checked for any signs of damage on the front face of the glass panel (scratches, scores, cracks or other surface defects). If damage is observed, the glass panel must be replaced and the appliance must not be used until a replacement is installed. Under no circumstances should the appliance be used if any damage is observed. Please isolate the appliance until a replacement glass panel has been obtained and installed. Replacement glass panels can be purchased from Gazco via the retailer from which the appliance was purchased or any other Gazco distributor.

This appliance must be serviced at least once a year by a competent person.

All tests must be carried out in accordance with the current GasSafe recommendations.

1.1 Before Testing:

- Conduct a gas soundness test for the property ensuring there are no leaks before servicing.
- Check the operation of the appliance before testing.

1.2 Special checks:

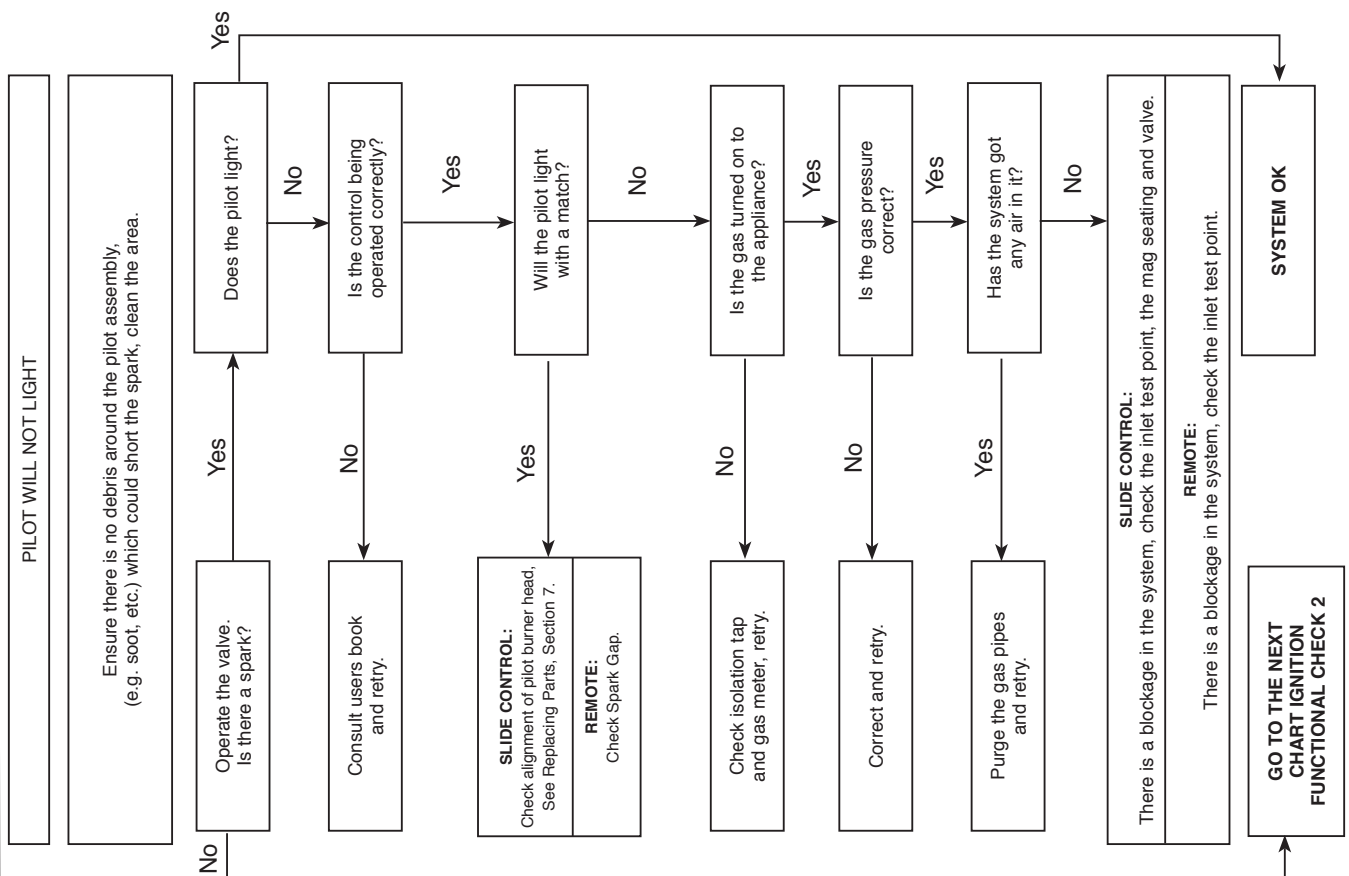
- Clean the burner using a vacuum cleaner with a soft brush attachment. Ensure all debris is removed from the burner ports.
- Check the flue terminal position complies with the requirements, and that the terminal is not obstructed.
- Clean away any debris under the burner.
- Check the condition of ceramics, pilot and burner cover gasket.
- Ensure that the glass frame is secured correctly and that all retaining screws are in place.

1.4 Correct any faults found during the initial tests

1.5 Re-commission the appliance in accordance with Commissioning Procedures of these instructions.

1.6 Advise the customer of any remedial action taken.

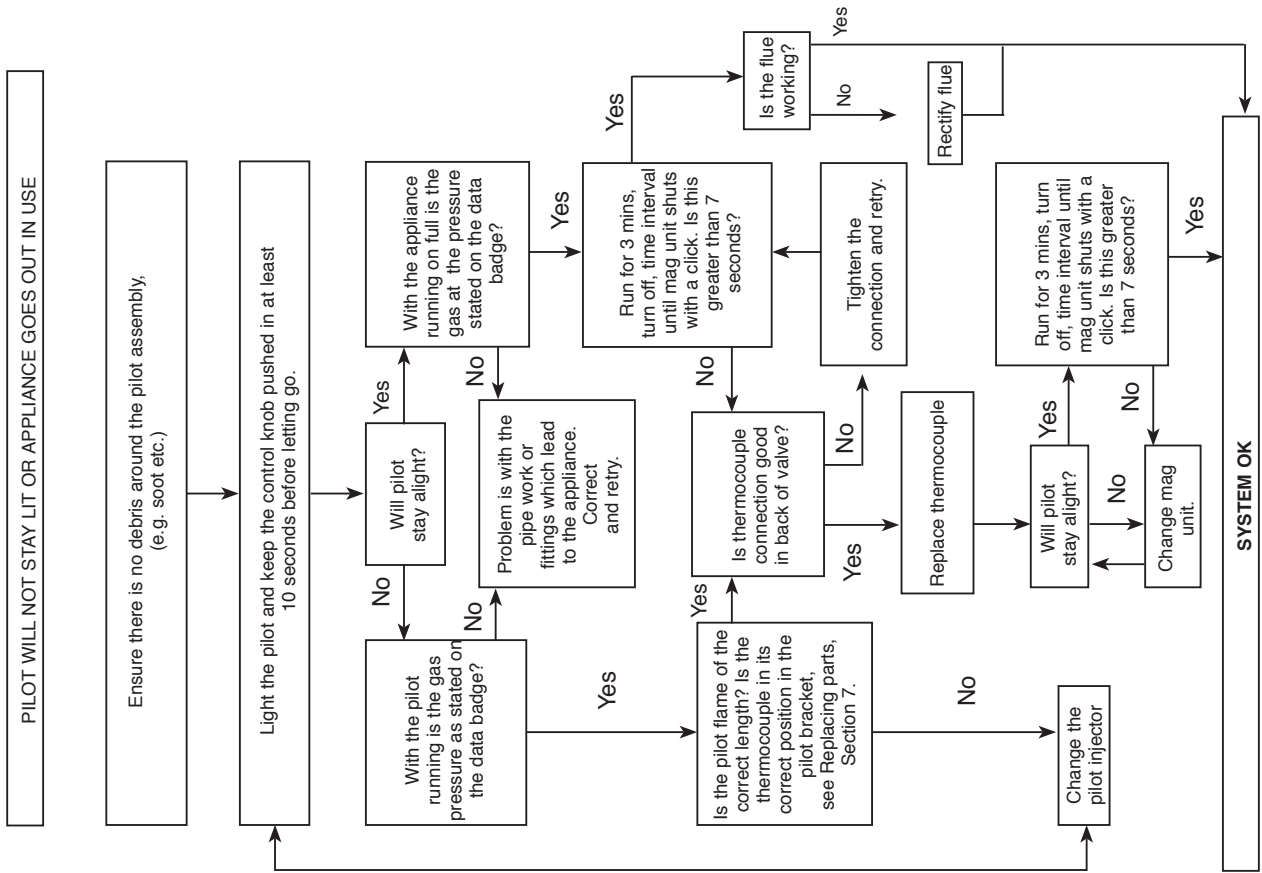
IGNITION FUNCTIONAL CHECK 1



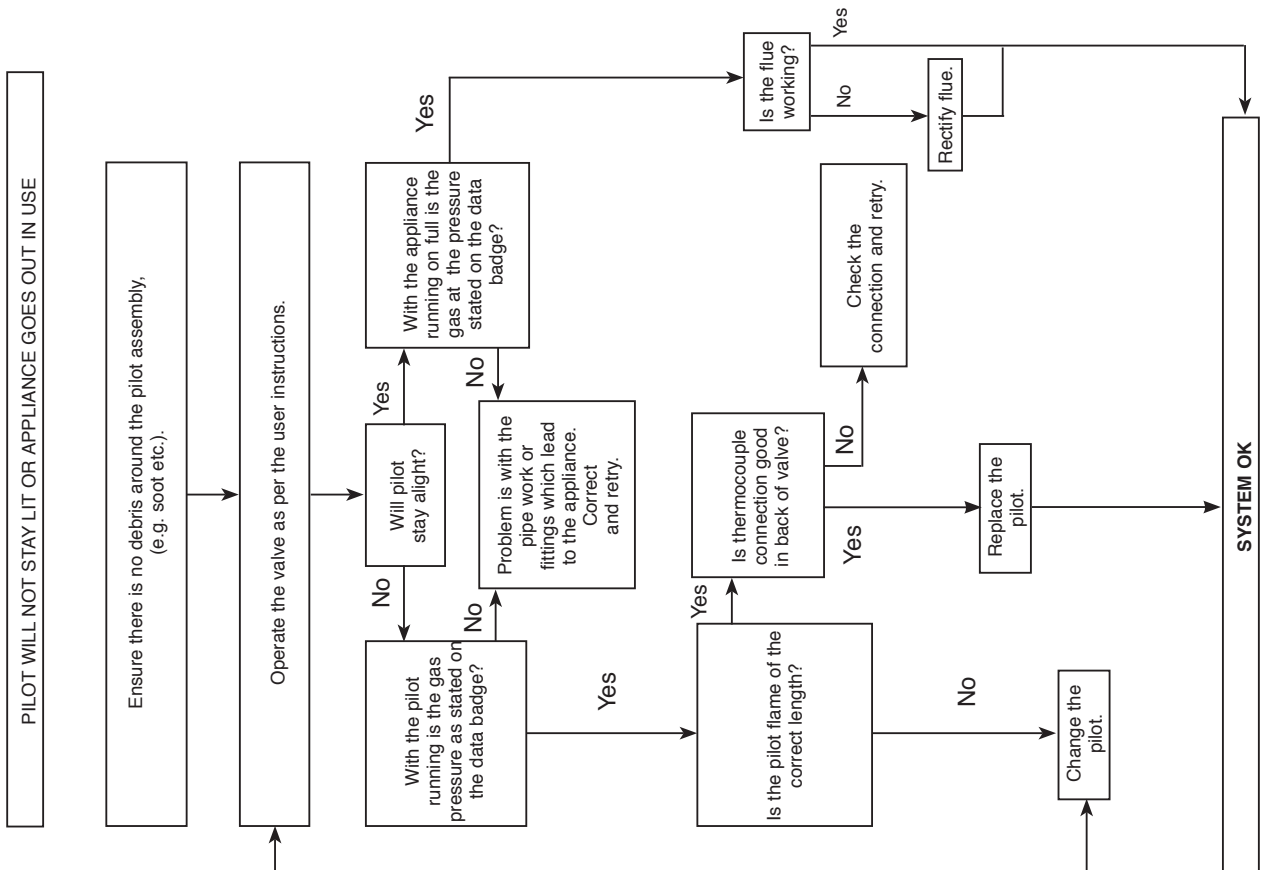
Servicing Instructions

Fault Finding Charts

FLAME FAILURE FUNCTIONAL CHECK 3B SLIDE CONTROL



FLAME FAILURE FUNCTIONAL CHECK 3A REMOTE



Servicing Instructions

Fault Finding Charts

Electronic Control Valve Fault Analysis

Red Indicator	Meaning
Permanently Lit	Valve tried to light but failed and in LOCKOUT E00
Flashing very fast	Valve is busy (will not accept any command)
Flashing once a second	Valve detects an error
Flashing once every 10 seconds	Indication of low battery power in valve
Flashing twice every 10 seconds (handset only)	Indication of low battery power in handset and valve
Permanently off	Valve in standby or in a stable operation
On momentarily after power up	Valve doing a self test
Appears after pressing start	Indicates time to release pressing the start button

If the valve indicates an error:

Allow the appliance to cool (if hot).

Check the battery status and replace with new if in any doubt.

Reset the error by first pressing the power button (with the appliance cool).
Press once again to start the fire.

If the error repeats refer to the error code table below.

Error Code	Meaning
E00	Valve Locked due to failed ignition.
E01	Indicates that possibly the content of CO is too high in ambient atmosphere.
E02	Ambient temperature around Gas valve in the fire too hot (exceeded 72°C).
E03	Thermocouple connection to valve issue. Incorrect reading from thermocouple.
E04	Flame detected on pilot after valve has shutdown.
E05	Flame detected on pilot before valve has started.
E06 & 07	Occurs when supply voltage is too low to operate the valve.
E24	Occurs when thermocouple does not reach its final temperature within 1 minute.

Servicing Instructions - Replacing Parts

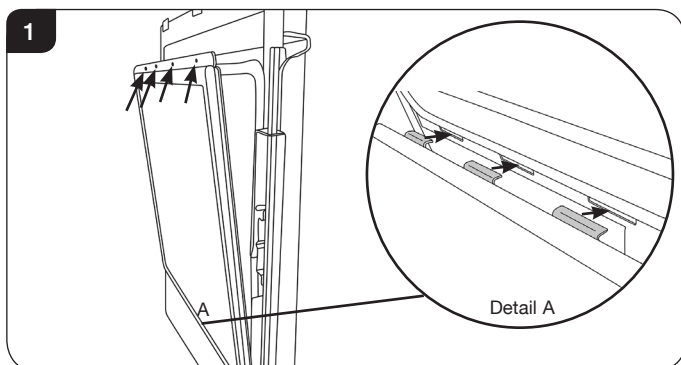
1. General

- 1.1 All principal components can be replaced without removing the appliance from its installation, although it is essential that the gas supply to the appliance is turned off at the isolation device before proceeding further.
- 1.2 Before replacing some of the components it will first be necessary to remove the burner assembly from the appliance by following the instructions below.
- 1.3 If for any reason the flue has to be removed from the appliance, the seal must be replaced in the inner spigot.

2. Removing the Glass Frame

Ensure the appliance is cold before proceeding.

- 2.1 Turn the gas supply off at the isolation device. Then disconnect the supply pipe.
- 2.2 Remove the decorative front from the appliance by referring to the separate instructions supplied.
- 2.3 Remove the glass frame by removing the 4 screws in the retaining bracket, see Diagram 1.



- 2.4 Tilt the top of the glass frame forward and disengage the lower location tabs from the slots in the firebox, see Diagram 1, Detail A. Place carefully to one side.
- 2.5 Remove the logs and Embaglow and place on a dry, clean surface.
- 2.6 The glass frame must be refitted to the appliance following cleaning or servicing. Ensure that the rope seal on the box is intact, then locate the glass frame location tabs into the slots on the firebox, see Diagram 1, Detail A.
- 2.7 Secure the glass frame using 4 screws in the retaining bracket, see Diagram 1. Replace ALL of the securing screws ensuring that a screw is present in all fixing slots.

NEVER OPERATE THE APPLIANCE WHEN THE GLASS FRAME IS REMOVED OR BROKEN.

Refer to the separate decorative front instructions to replace the front on the appliance.



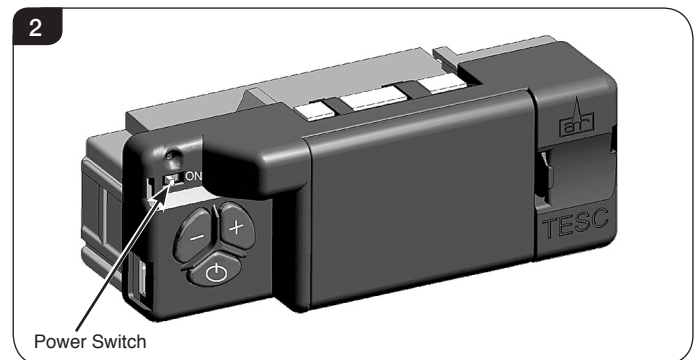
UNDER NO CIRCUMSTANCES SHOULD THE APPLIANCE BE USED IF ANY OF THE GLASS FRAME RETAINING SCREWS ARE LOOSE OR MISSING.

3. Appliance Battery

3a. Remote Control

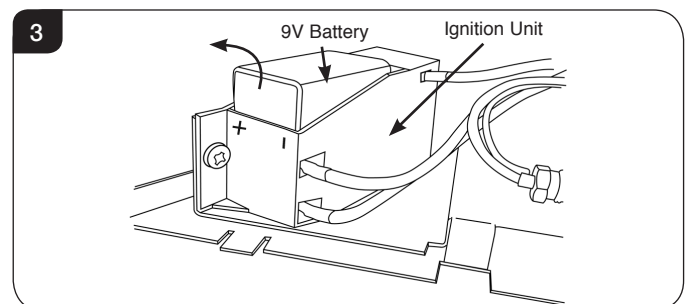
It is not necessary to remove the appliance battery to service the appliance, however the Power Switch on the Control Box must be switched to the OFF position.

- 3a.1 The Power Switch is located on the Control Box at the bottom of the appliance behind the ash cover.
- 3a.2 **Slide the white Power Switch on the Control Box to the OFF position before servicing the appliance.**



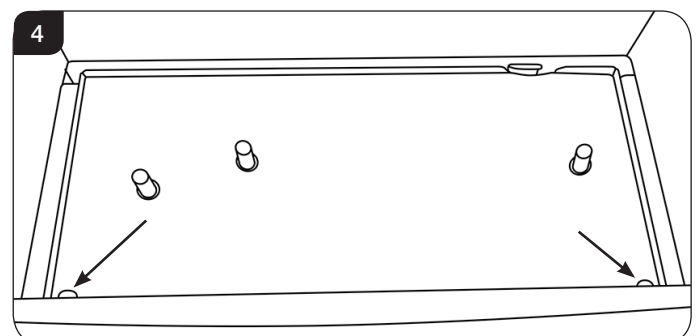
3b. Slide Control

- 3b.1 Remove the battery before carrying out work on this appliance.
- 3b.2 The appliance battery is located at the bottom left of the appliance behind the ash cover, see Diagram 3.



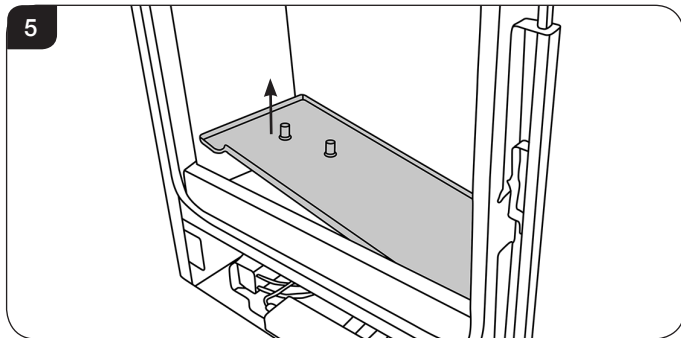
4. Main Burner

- 4.1 Remove the 2 screws at the front of the burner tray, see Diagram 4.



Servicing Instructions - Replacing Parts

- 4.2 Lift the left hand side of the burner tray, before lifting the right hand side, see Diagram 5.



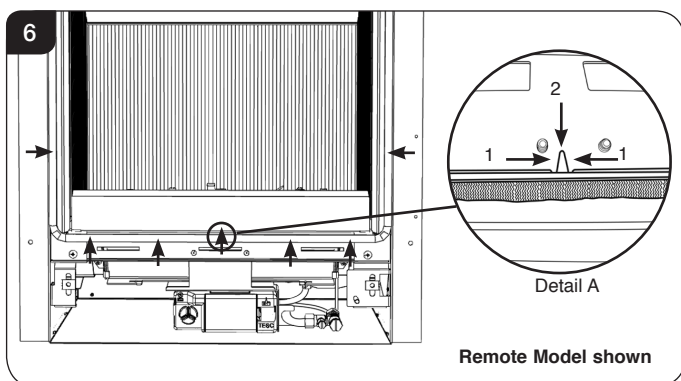
- 4.3 Slide the burner tray fully to the left and remove through the front of the firebox, see Diagram 5.

5. Control Assembly

It will be necessary to remove the bottom section of the glass frame seal from the appliance.

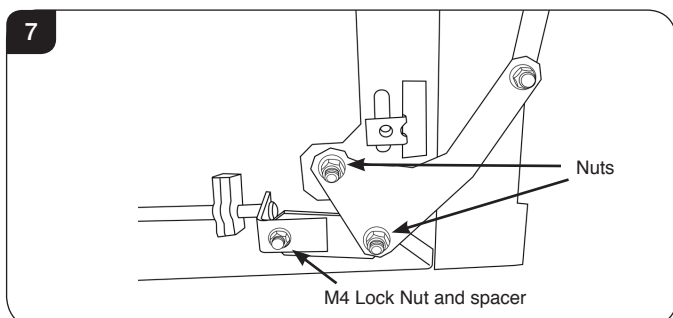
- 5.1 Push the arrow-headed spring clips out of the body. It may be necessary to slightly compress the clips to ease removal, see Diagram 6, Detail A.

NOTE: Only the lower 7 clips need to be removed.



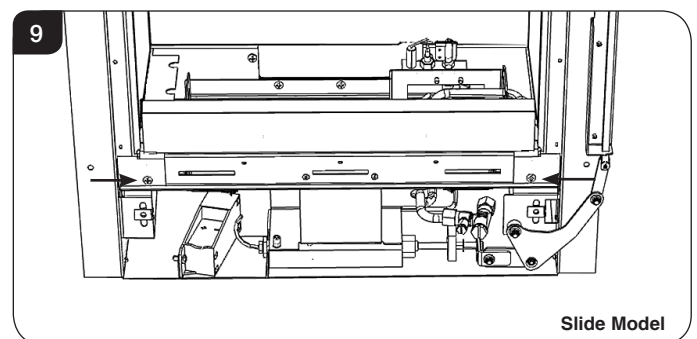
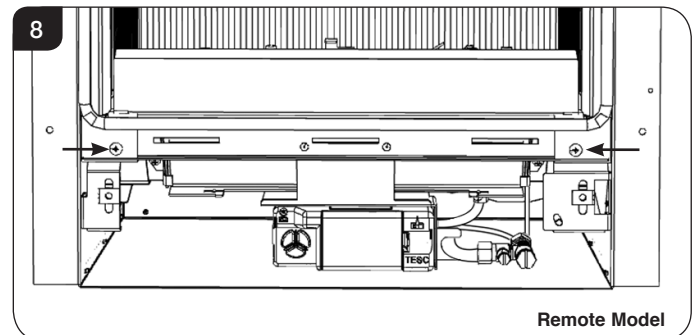
Slide Control only

- 5.2 Remove the M4 lock nut and spacer securing the slider arm to the appliance and loosen the 2 nuts, see Diagram 7. **Ensure that the spacer is retained and replaced when the control assembly is reinstalled.**



All Models

- 5.3 Remove the 2 screws positioned either side of the Control Box bracket, see Diagram 8 & 9.

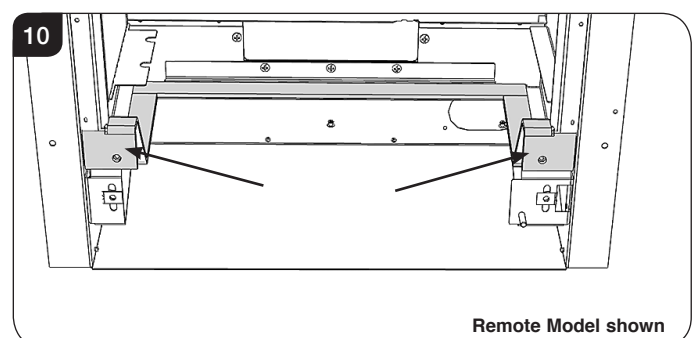


Slide Control Models: Take care not to catch the slide mechanism when removing the burner.

- 5.4 The burner unit can now be removed from the appliance. Lift the front of the assembly up and out from the appliance. Take care not to damage the door seal.

Take care not to damage the liners.

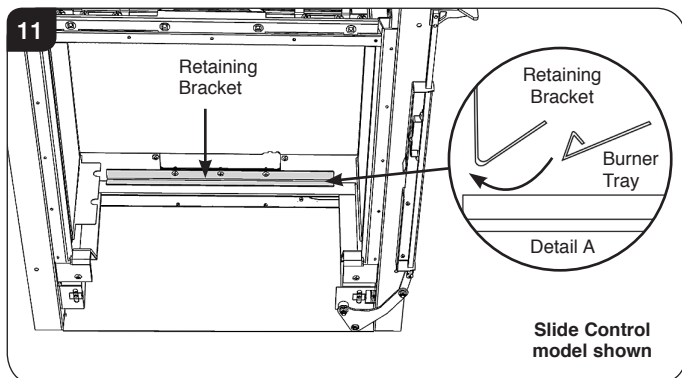
- 5.5 Replace in reverse order.
5.6 When refitting the Control Assembly ensure that the foam seal is flat against the appliance body, see Diagram 10.



Ensure the rear of the tray slides under the retaining bracket on the rear of the appliance, see Diagram 11.

Servicing Instructions - Replacing Parts

NOTE: The burner unit and pipe work have been removed for clarity.



6. Ignition Lead

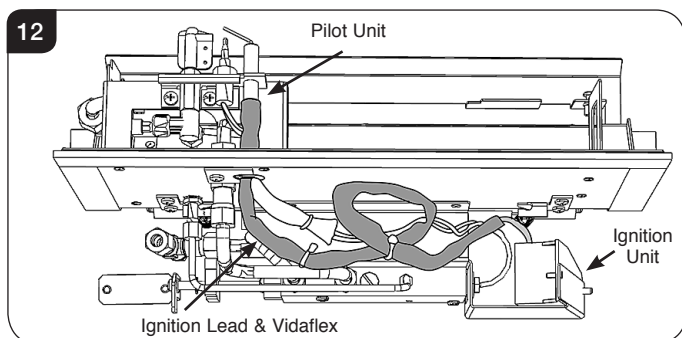
The different control versions of this appliance have different servicing requirements for the Ignition Lead. Follow the relevant section for each product.

6a. Remote Control

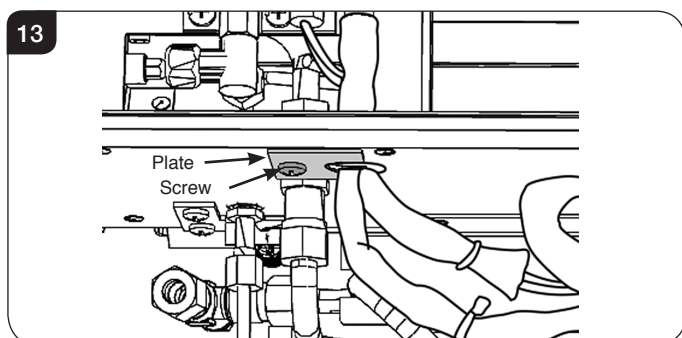
- 6a.1 The Ignition Lead used on this appliance can not be replaced individually. If a new lead is required it will be necessary to change the pilot unit, see Section 7.

6b. Slide Control

- 6b.1 Disconnect the ignition lead from the ignition unit and the pilot unit, see Diagram 12.



- 6b.2 Remove the screw and sealant from plate, see Diagram 13.



When replacing the cover plate ensure silicone sealant is used to seal the aperture.

- 6b.3 Feed ignition lead complete with vidaflex through metal plate.
- 6b.4 Remove the vidaflex from the old ignition lead.
- 6b.5 Refit the vidaflex cover over the new ignition lead and fit following the same route as the old one.
- 6b.6 Refit the Control Assembly.
- 6b.7 Check the operation of the new ignition lead.
- 6b.8 Reassemble the appliance.

7. Pilot Unit



IMPORTANT: UNDER THE TERMS OF THE EXTENDED WARRANTY IT WILL BE COMPULSORY TO CHANGE THE COMPLETE PILOT UNIT ON THIS APPLIANCE IN YEARS 2 AND 4.

Note: The pilot unit on the appliance is a non serviceable unit due to the complex nature of its manufacture.

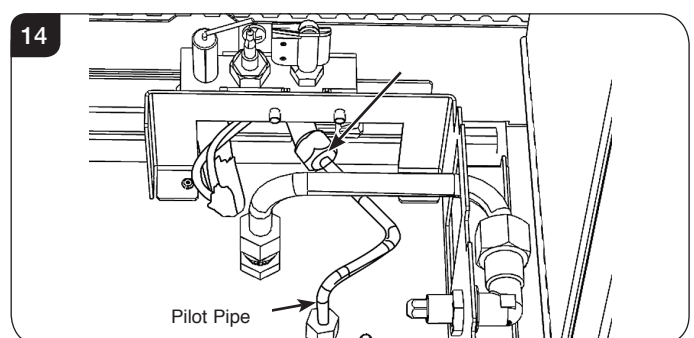
Replacement of the complete unit must be carried out when one of the following items becomes faulty:

- Pilot injector
- Ignition electrode
- Thermocouple
- Ignition Lead (Remote Control Models only)

- 7.1 Remove the Main Burner and Control Assembly, see Sections 4 & 5.

7a. Remote Control

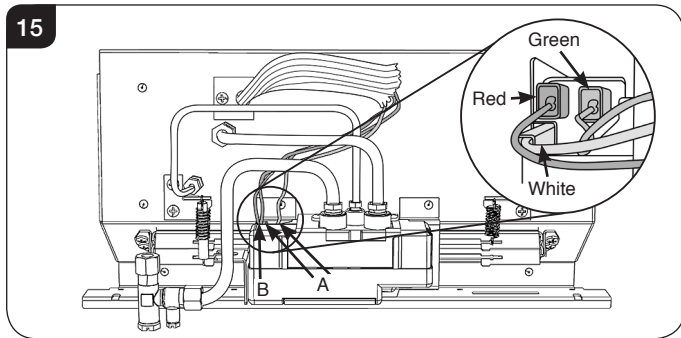
- 7a.1 Undo the pilot pipe from the pilot unit, see Diagrams 14.



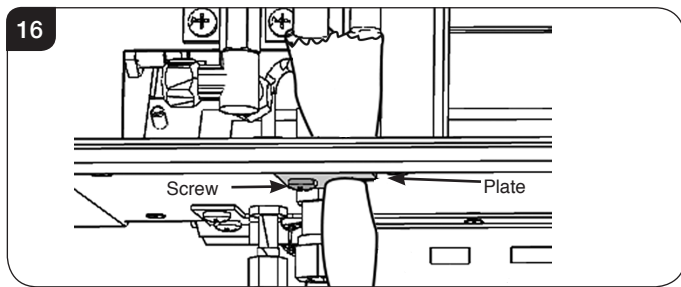
Servicing Instructions - Replacing Parts

7a.2 Undo the red and green thermocouple connections (A) and the white ignition lead (B) from the gas valve, see Diagrams 15.

NOTE: Ensure the correct orientation when replacing, see Diagram 15 detail.

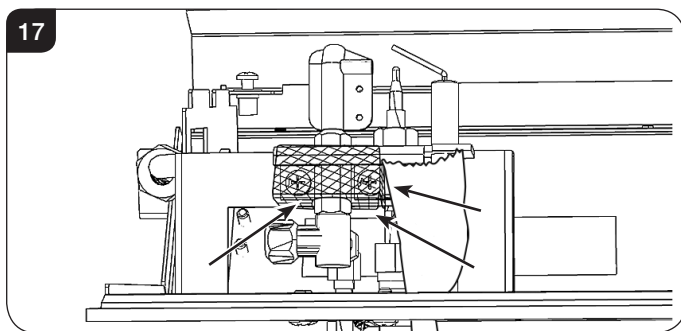


7a.3 Remove the screw and sealant from plate, see Diagrams 16.

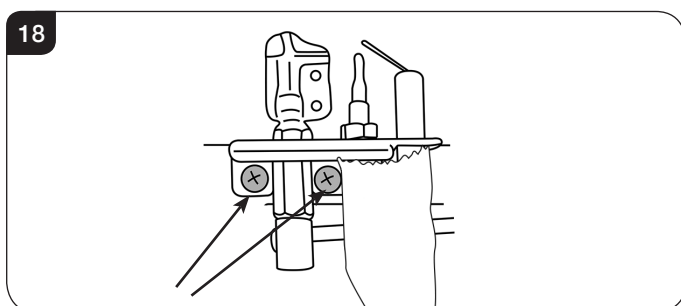


When replacing the cover plate ensure silicone sealant is used to seal the aperture.

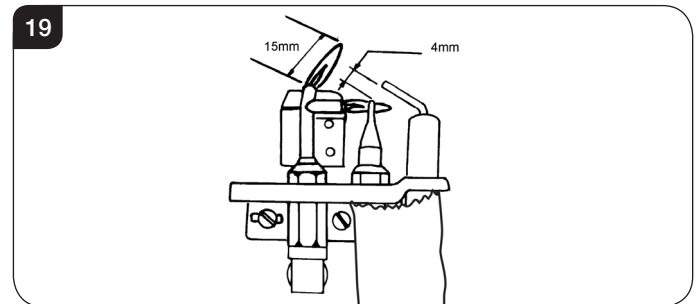
7a.4 Gently bend the tabs back to remove the pilot cage, see Diagram 17.



7a.5 Remove the 2 screws securing the pilot assembly, see Diagram 18.



7a.6 Replace with a new pilot assembly and check the spark gap, see Diagram 19.

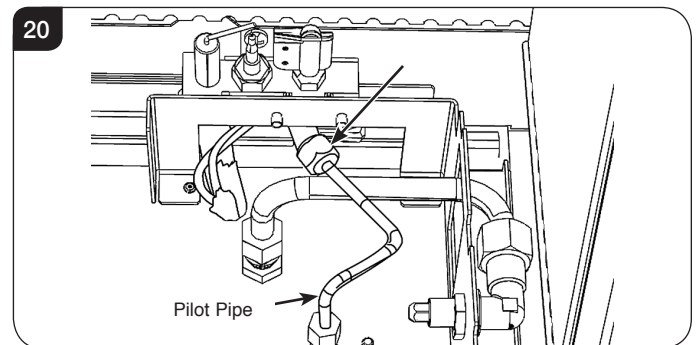


NOTE: Ensure the correct orientation when replacing.

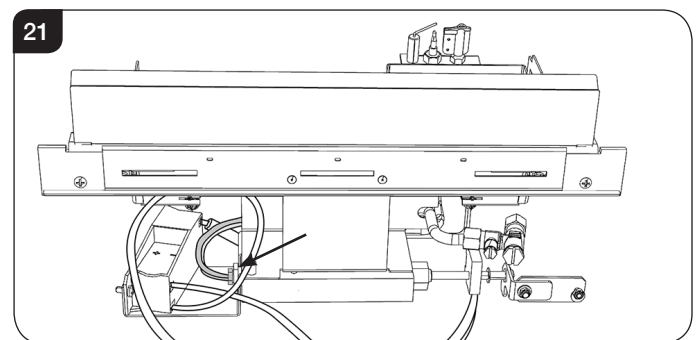
7a.7 After reassembly check for gas soundness and carry out a flame failure functional check as detailed in the Fault Finding chart, especially the time it takes for the mag unit to close.

7b. Slide Control

7b.1 Undo the pilot pipe from the pilot unit, see Diagrams 20.

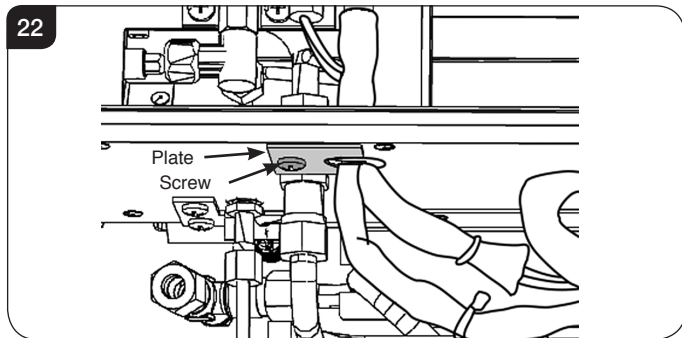


7b.2 Undo the thermocouple connection from the gas valve, see Diagrams 21.



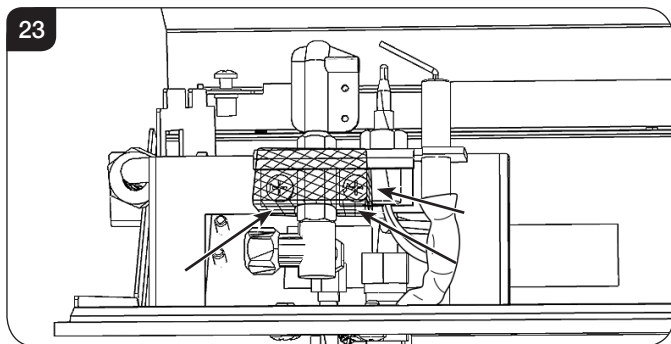
Servicing Instructions - Replacing Parts

7b.3 Remove the screw and sealant from plate, see Diagrams 22.



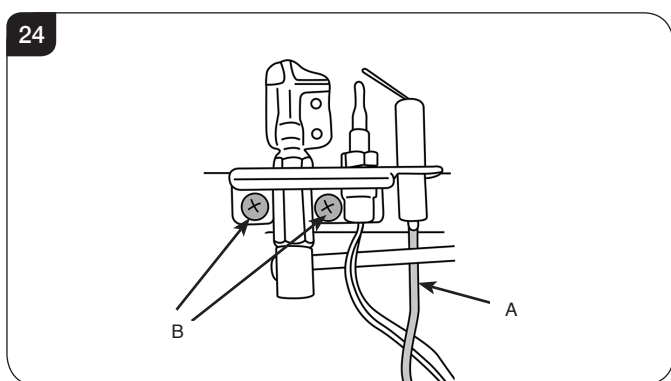
When replacing the cover plate ensure silicone sealant is used to seal the aperture.

7b.4 Gently bend the tabs back to remove the pilot cage, see Diagram 23.

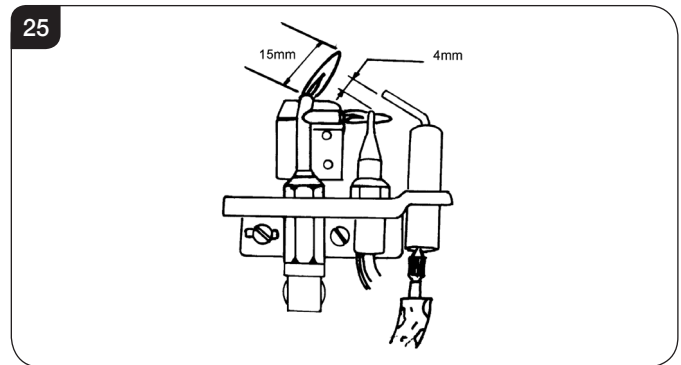


7b.5 Gently pull the ignition lead off the electrode, see Diagram 24, Arrow A.

7b.6 Remove the 2 screws securing the pilot assembly, see Diagram 24, Arrow B.



7b.7 Replace with a new pilot assembly and check the spark gap, see Diagram 25.

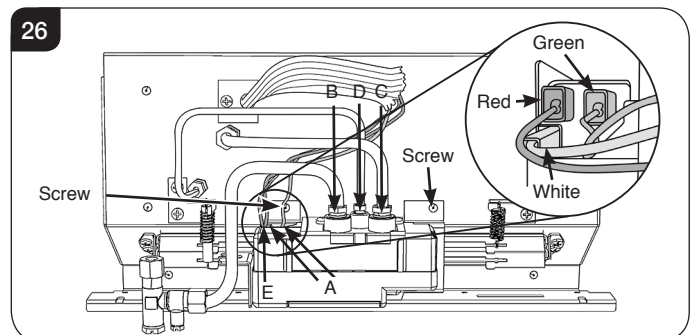


7b.8 After reassembly check for gas soundness and carry out a flame failure functional check as detailed in the Fault Finding chart, especially the time it takes for the mag unit to close.

8. Gas Valve

8a. Remote Control

8a.1 To remove the gas valve first remove the red and green thermocouple connections, see Diagram 26, Arrow A.



8a.2 Undo the inlet pipe from the gas valve, see Diagram 26, Arrow B.

8a.3 Undo the main injector feed pipe from the gas valve, see Diagram 26, Arrow C.

8a.4 Undo the pilot pipe from the gas valve, see Diagram 26, Arrow D.

8a.5 Disconnect the ignition lead from the gas valve, see Diagram 26, Arrow E.

8a.6 Undo 2 screws securing the gas valve to the bracket, see Diagram 26.

8a.7 The gas valve can now be slid forward to remove from the burner unit.

8a.8 To replace the gas valve reverse the above procedure.

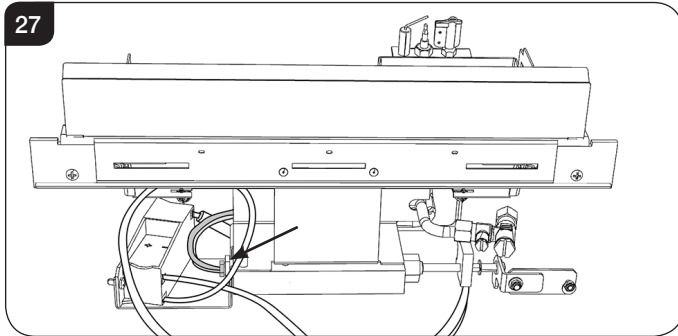
NOTE: Ensure the correct orientation of the connections when replacing, see Diagram 26 detail.

8a.9 Check for gas leaks.

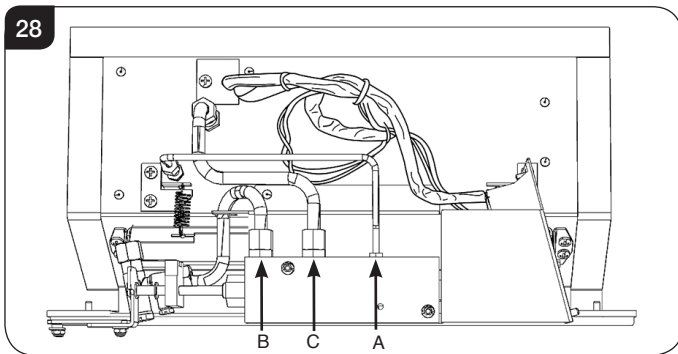
Servicing Instructions - Replacing Parts

8b. Slide Control

8b.1 To remove the gas valve first remove the thermocouple, see Diagram 27.



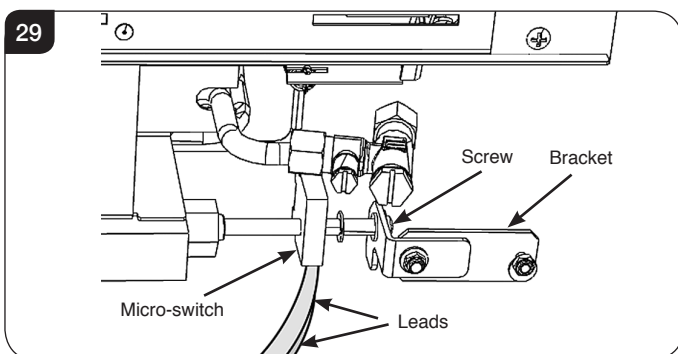
8b.2 Undo the pilot pipe from the gas valve, see Diagram 28, Arrow A.



8b.3 Undo the inlet pipe from the gas valve, see Diagram 28, Arrow B.

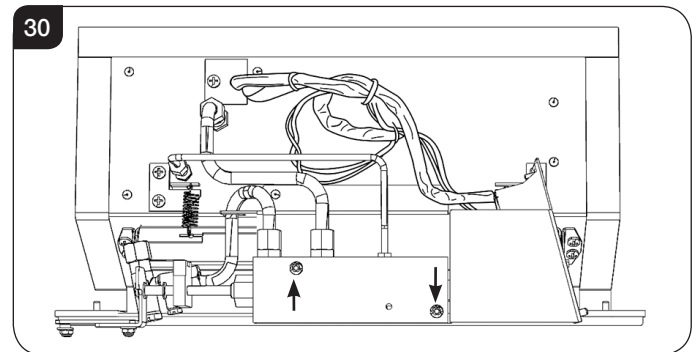
8b.4 Undo the main injector feed pipe from the gas valve, see Diagram 28, Arrow C.

8b.5 Disconnect the 2 leads from the micro-switch, see Diagram 29.



8b.6 Undo the screw from the end of the spindle and remove the bracket, see Diagram 29. Ensure bracket is replaced during reassembly.

8b.7 Remove the 2 screws from the gas valve, see Diagram 30.

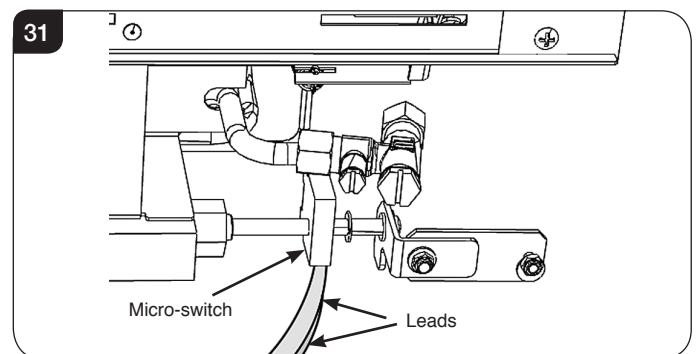


8b.8 Replace in reverse order.

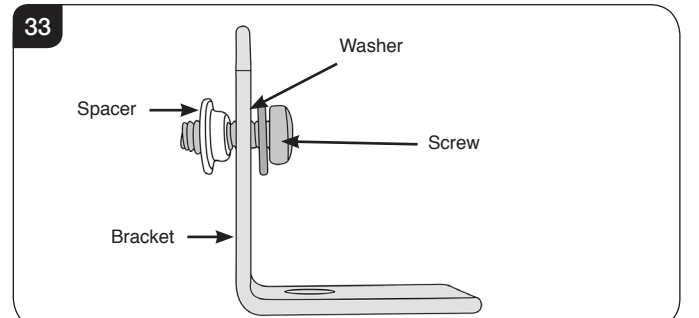
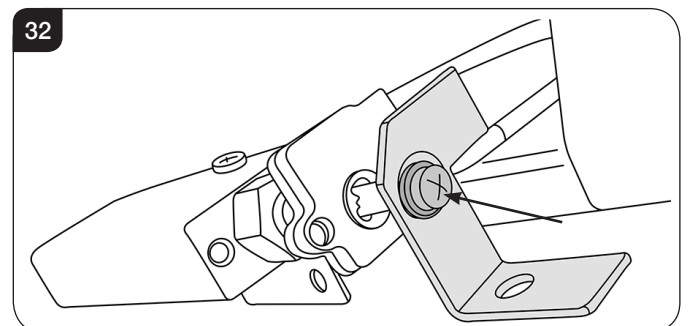
8b.9 Check for gas leaks.

9. Micro-Switch (Slide Control Models only)

9.1 Disconnect the 2 leads from the Micro-Switch, see Diagram 31.



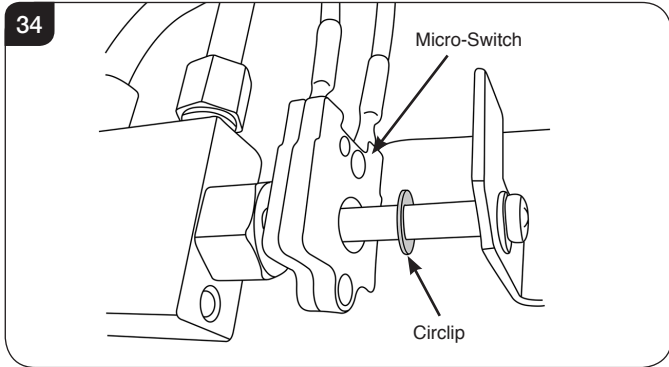
9.2 Remove the screw, bracket, washer & spacer from the Micro-Switch spindle, see Diagrams 32 & 33.



Servicing Instructions - Replacing Parts

When replacing ensure that the components are assembled in the same order.

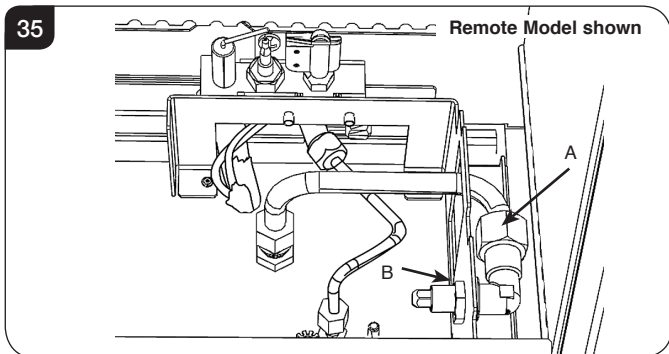
- 9.3 Remove the circlip from the spindle, see Diagram 34.



- 9.4 Replace the micro-switch.
Reassemble in reverse order.

10. Main Injector

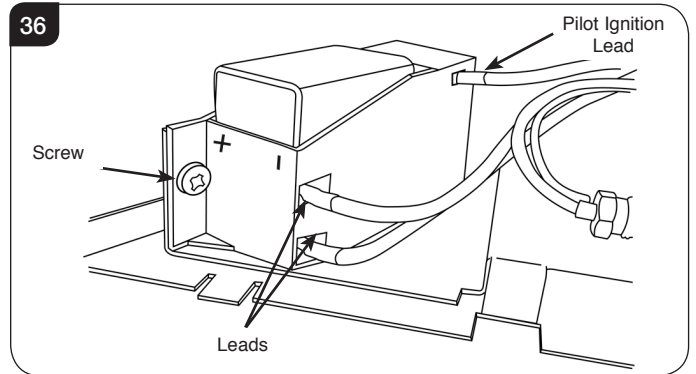
- 10.1 Undo the compression nut from the feed pipe, see Diagram 35, A
10.2 Undo the lock nut from the injector, see Diagram 35, B.



- 10.3 Replace with the correct replacement injector. When ordering, always state the model, gas type and serial number.
10.4 Reassemble and turn the gas supply on, check for any leaks.

11. Ignition Unit (Slide Control Models only)

- 11.1 Remove the battery, see Section 3.
11.2 Remove the 2 leads and the pilot ignition lead from the ignition unit, see Diagram 36.



- 11.3 Undo the screw securing the unit in place, see Diagram 36.
11.4 Slide the unit forward to remove.
11.5 Replace in reverse order.

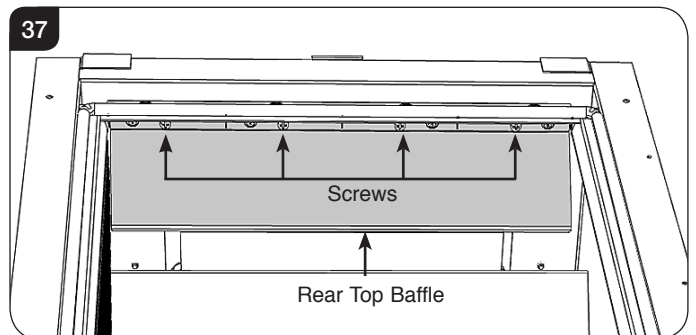
12. Baffle & Liners

The Baffle and Liners do not need to be removed for servicing.

This appliance fitted with twin baffle system, consisting of a front and rear baffle.

FRONT TOP BAFFLE

- 12.1 Undo the 4 screws securing it to the roof of the firebox, see Diagram 37.



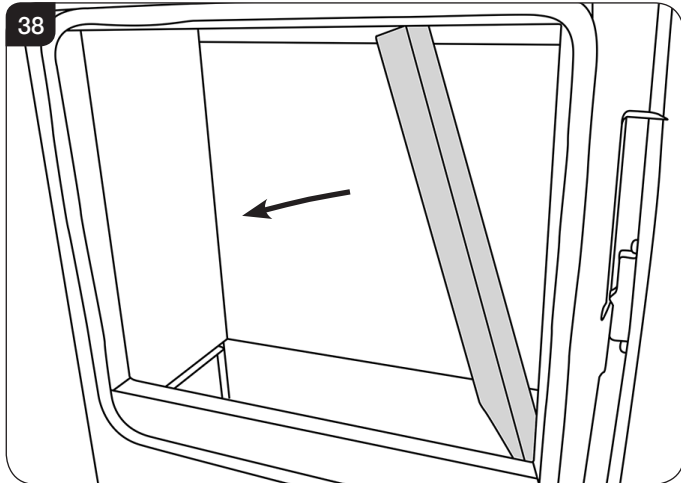
- 12.2 The Front Top Baffle can now be removed by lowering the front edge and pulling forward through the front of the appliance.
TAKE CARE NOT TO DAMAGE THE SIDE PANELS.
12.3 Note: When replacing the baffle ensure that the rear edge locates above the rear Top Baffle, see Diagram 37. Take care not to damage the rope seal pins and liners.

Servicing Instructions - Replacing Parts

LINERS

Once the Front Top Baffle has been placed carefully to one side the liners can then be taken out in the following order.

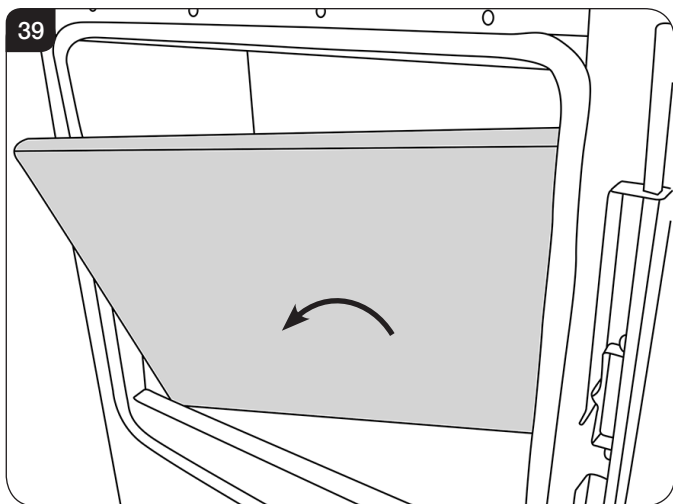
- 12.4 To remove the Right Hand liner first tilt inwards towards the centre of the firebox before lifting up and pulling out through the front of the firebox, see Diagram 38.



- 12.5 To remove the Left Hand liner first tilt inwards towards the centre of the firebox before lifting up and pulling out through the front of the firebox, see Diagram 38.

The 2 side liners also support the rear liner. Taking out the side liners will allow the rear liner to move forward so ensure it is supported.

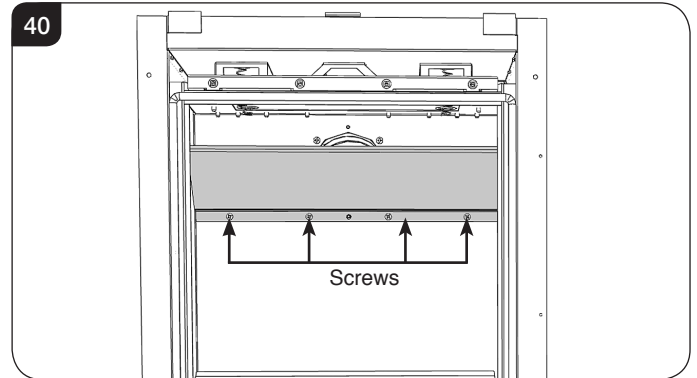
- 12.6 Remove the rear liner by carefully leaning the top edge forward and twisting slightly to allow it to be removed through the front of the appliance, see Diagram 39.



REAR TOP Baffle

Once the Front Top Baffle and Liners have been placed carefully to one side the Rear Top Baffle can then be taken out in the following order.

- 12.7 Undo the 4 screws securing it to the roof of the firebox, see Diagram 40.



- 12.8 The Rear Top Baffle can now be removed by lowering the front edge and pulling forward through the front of the appliance.

- 12.9 To replace the liners and baffle reverse these procedures.

13. Changing between Gas Types

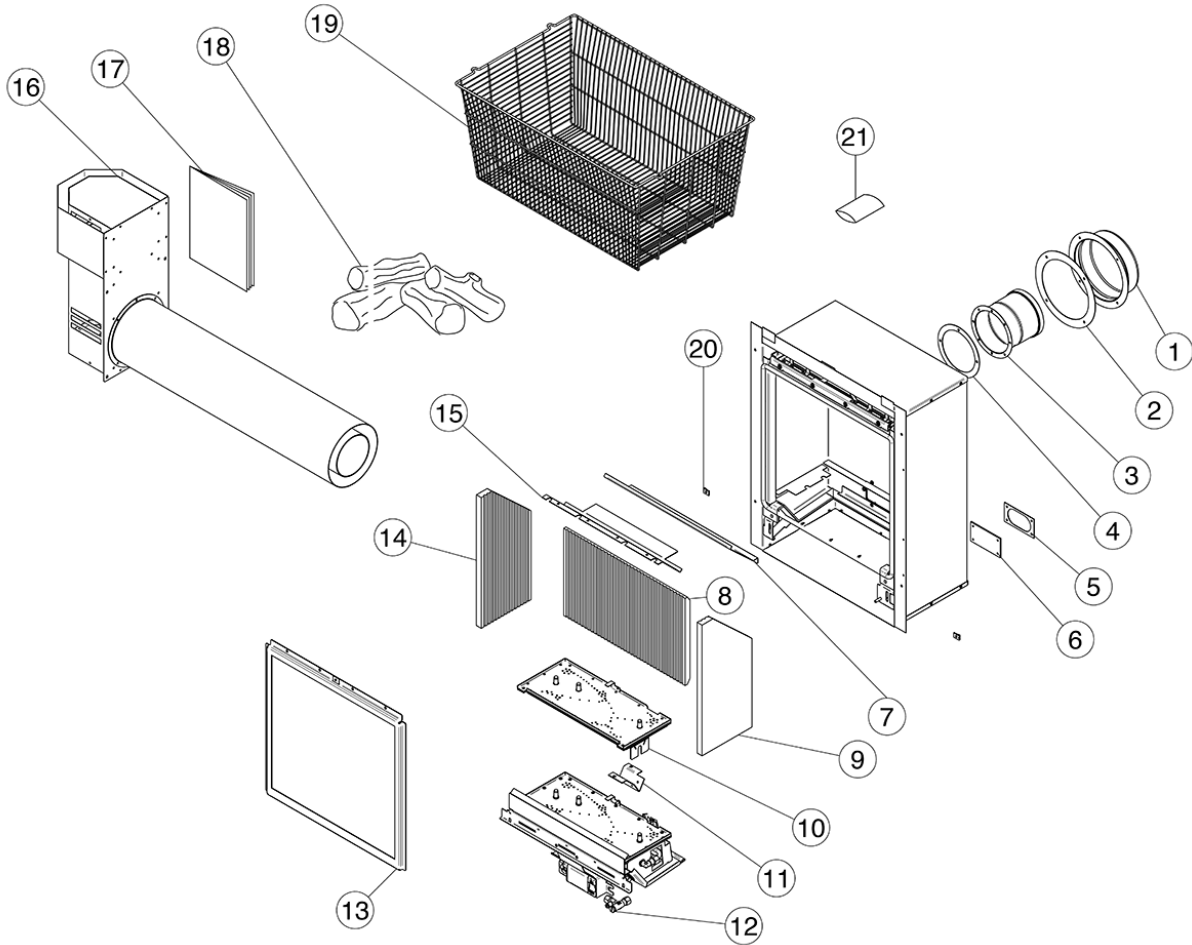
In order to change between gas types, it will be necessary to change the **Gas Valve, Pilot, Injector, Burner, & Databadge**.

Note: The Control Box will be set for the particular appliance and gas type. In all instances, when ordering new parts, be sure to quote the appliance type and serial number.

Use only genuine Gazco replacement parts. Nonstandard components will invalidate the guarantee and may be dangerous.

Servicing Instructions - Replacing Parts

14a. Spares List - Remote Control



No.	Component	Part Code		Quantity
		Natural Gas	LPG	
1	Outer Spigot	MEC0269		1
2	Outer Flue Spigot Gasket	CE0210		1
3	Inner Spigot	MEC0275		1
4	Inner Flue Spigot Gasket	CE0211		1
5	Inlet Plate	ME3746		1
6	Inlet Silicone Seal	FA0354		1
7	Internal Baffle Rear	GZ14790		1
8	Black Reed Rear Lining	CE1967		1
9	Black Reed RH Lining	CE1966		1
10	Burner Assembly	GZ15411	GZ14540	1
11	Aeration Plate	GZ10405	GZ10409	1

No.	Component	Part Code		Quantity
		Natural Gas	LPG	
12	Engine Assembly	GZ15684N	GZ15684P	1
13	Door Assembly	GZ14017		1
14	Black Reed LH Lining	CE1965		1
15	Top Baffle	GZ14789		1
16	Rear Exit Terminal	MEC0226		1
17	Installation Instructions	PR2756		1
18	Log Set	CE1755		1
19	Terminal Guard	999-159		1
20	Spire Clip	FA0041		2
21	Embaglow	GZ8472		1



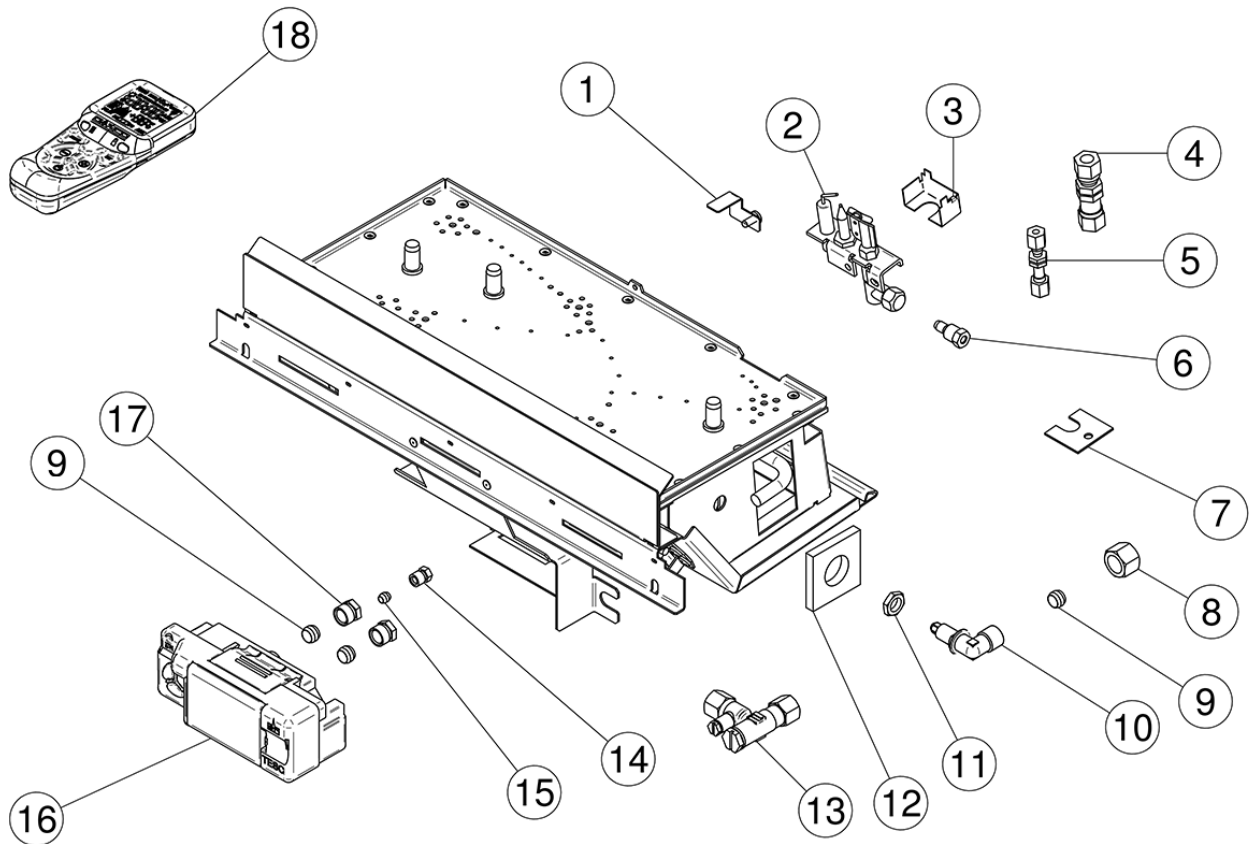
Due to continual technical improvements please check online or with your Gazco retailer for the most up to date parts lists.

Only use Genuine Gazco spares when servicing your appliance.

All of our essential spare parts and consumable items are available to purchase from our webshop at www.gazcospares.com.

Servicing Instructions - Replacing Parts

14a. Spares List - Remote Control - Burner Assembly



No.	Component	Part Code		Quantity
		Natural Gas	LPG	
1	Log Support	GZ15302	N/A	1
2	Pilot Unit	PI0090	PI0092	1
3	Lint Arrester Shield	PI0056		1
4	8mm Bulk Head Fitting	FA0271		1
5	4mm Bulk Head Fitting	FA0270		1
6	Shear Nut and Olive	GC0024		1
7	Lead Cover	GZ2020		1
8	1/4" BSP Nut	FA0029		1
9	8mm Olive	FA0011		3

No.	Component	Part Code		Quantity
		Natural Gas	LPG	
10	Injector	IN0073	IN0056	1
11	1/8" BSP Nut	FA0241		1
12	Rubber Venturi Seal	FA0171		1
13	Inlet Isolation Device	GC0095		1
14	4mm Internal Tube Nut	FA0782		1
15	4mm Olive	FA0781		1
16	Gas Control Valve	GC0182K		1
17	8mm Internal Tube Nut	FA0780		2
18	Handset	EL0807		1



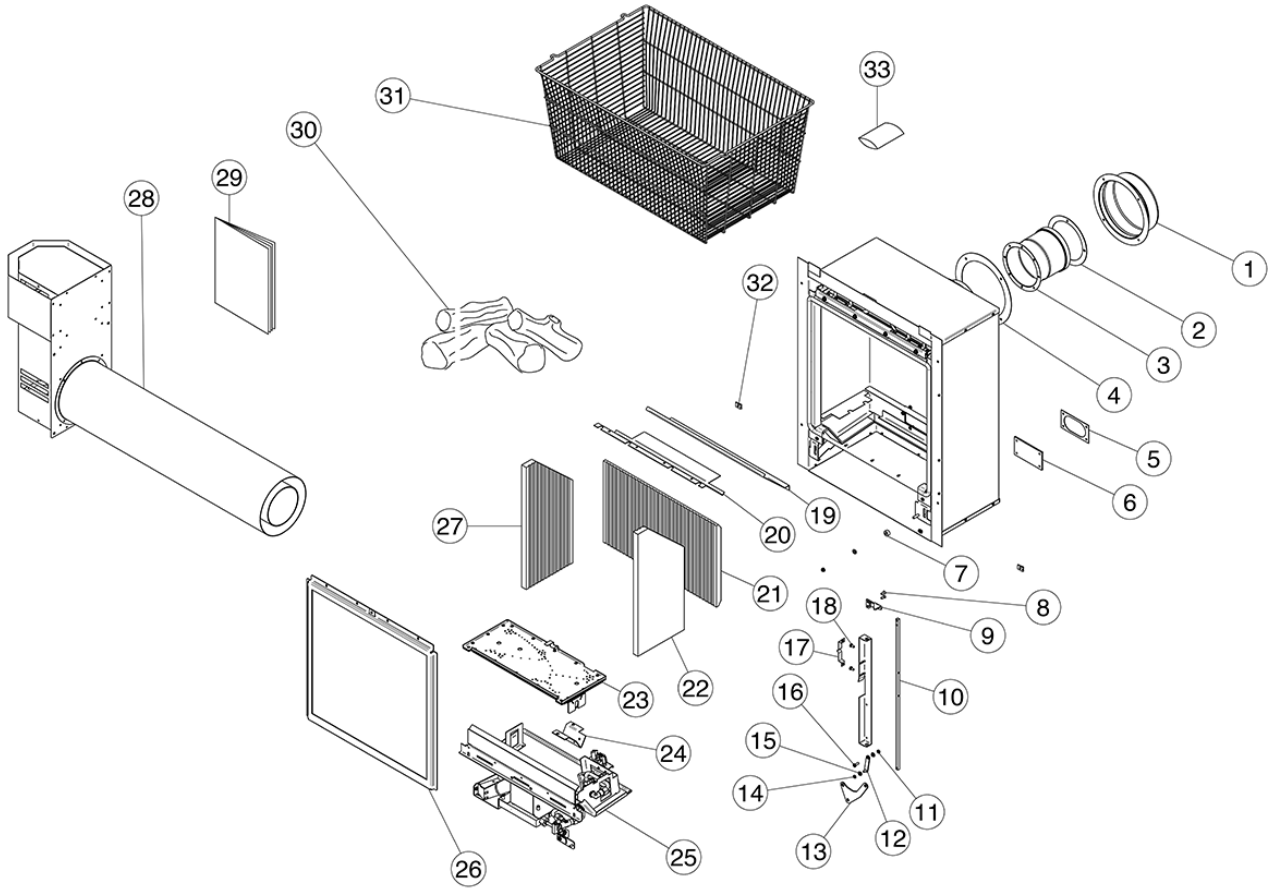
Due to continual technical improvements please check online or with your Gazco retailer for the most up to date parts lists.

Only use Genuine Gazco spares when servicing your appliance.

All of our essential spare parts and consumable items are available to purchase from our webshop at www.gazcospares.com.

Servicing Instructions - Replacing Parts

14b. Spares List - Slide Control



No.	Component	Part Code		Quantity
		Natural Gas	LPG	
1	Outer Spigot	MEC0269		1
2	Inner Flue Spigot Gasket	CE0210		1
3	Inner Spigot	MEC0275		1
4	Outer Flue Spigot Gasket	CE0211		1
5	Inlet Plate	ME3746		1
6	Inlet Silicone Seal	FA0354		1
7	Metal Spacer	FA0691		1
8	M4 x 10 CSK Posi Head	FA0330		2
9	Folded Handle	GZ11002		1
10	Pushrod	GZ11009		1
11	Brass Hex Nut M4	FA0202		1
12	Link Plate	GZ10052		1
13	Crank Lever	ME11008		1
14	M4 Nyloc Nut Zinc Plated	C94323		2
15	Circular Clearance Spacer	FA0685		2
16	M4 x 12 Pan HD Screw	D2150-1412		1

No.	Component	Part Code		Quantity
		Natural Gas	LPG	
17	Spring Clip	GZ11061		1
18	M4 x 6 Pozi Pan Head	FA0694		2
19	Internal Baffle Rear	GZ14790		1
20	Top Baffle	GZ14789		1
21	Black Reed Rear Lining	CE1967		1
22	Black Reed RH Lining	CE1966		1
23	Burner Assembly	GZ15411	GZ15412	1
24	Aeration Plate	GZ10405	GZ10409	1
25	Engine Assembly	GZ15413N	GZ15413P	1
26	Door Assembly	GZ14017		1
27	Black Reed LH Lining	CE1965		1
28	Rear Exit BF Terminal	MEC0226		1
29	Installation Instructions	PR2756 / PR2537		1
30	Log Set	CE1755		1
31	Terminal Guard	999-159		1
32	Spire Clip	FA0041		2
33	Embaglow	GZ8472		1



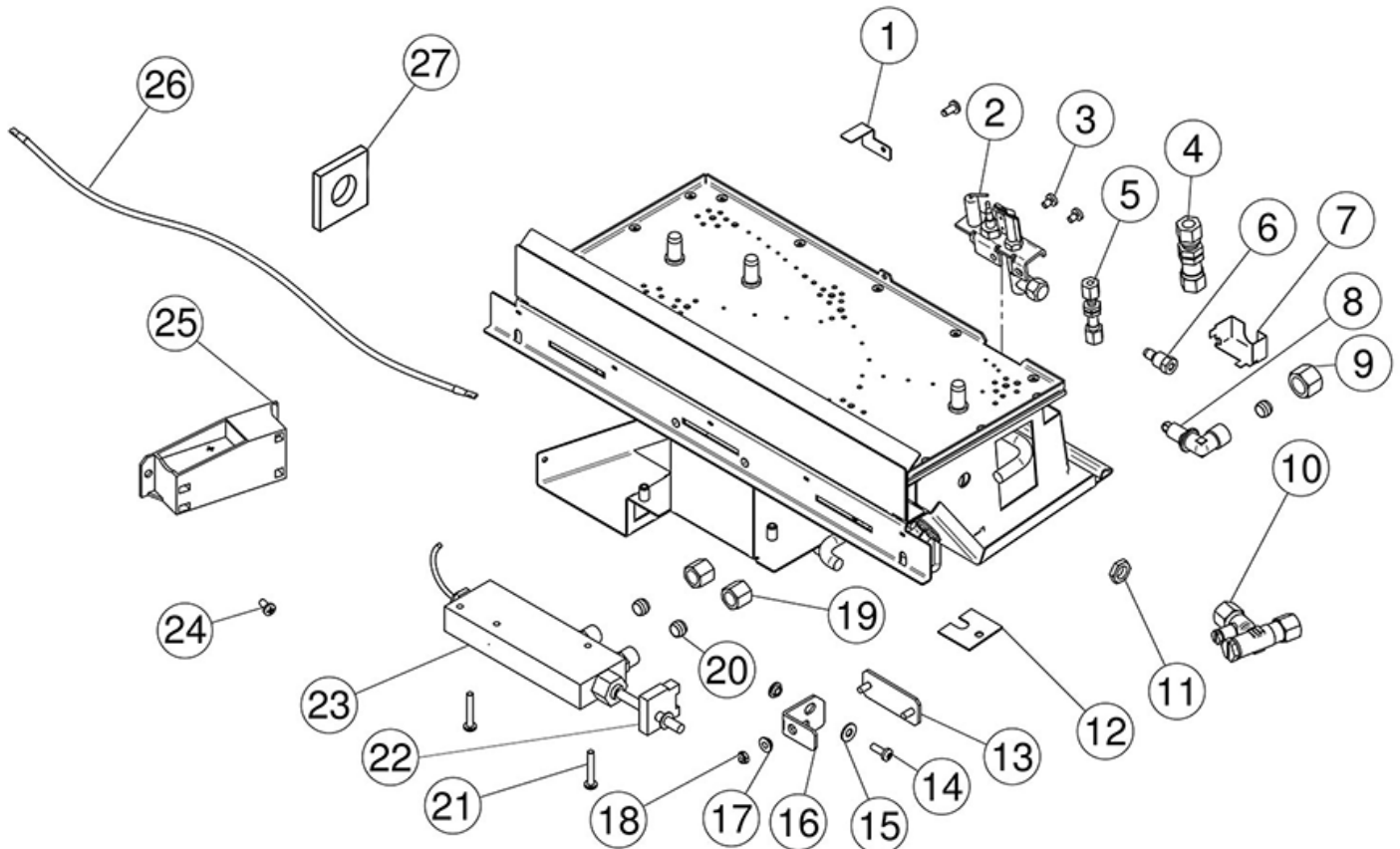
Due to continual technical improvements please check online or with your Gazco retailer for the most up to date parts lists.

Only use Genuine Gazco spares when servicing your appliance.

All of our essential spare parts and consumable items are available to purchase from our webshop at www.gazcospares.com.

Servicing Instructions - Replacing Parts

14b. Spares List - Slide Control - Burner Assembly



No.	Component	Part Code		Quantity
		Natural Gas	LPG	
1	Log Support	GZ15302	-	1
2	Oxypilot	PI0044	PI0045	1
3	M4 x 6mm S/Steel Tap Tight Screw	FA0154		2
4	8mm Bulk Head Fitting	FA0271		1
5	4mm Bulk Head Fitting	FA0270		1
6	SIT 4mm Shear Off Nut & Olive	GC0024		1
7	Lint Arrester Shield	PI0056		1
8	Injector	Size 161 IN0073	Size 104 IN0056	1
9	1/4" BSP Nut 1	FA0029		1
10	Inlet Isolation Device	GC0095		1
11	1/8 BSP Locknut Brass	FA0241		1
12	Therm/HT Lead Cover PLT	GZ2020		1
13	Bottom Link (39mm CTR)	GZ11577		1

No.	Component	Part Code		Quantity
		Natural Gas	LPG	
14	M4 x 12 Pan HD Screw	D2150-1412		1
15	M5 Large Washer Zinc Plated	FA0705		2
16	Valve Actuator Bracket	GZ11007		1
17	Circular Clearance Spacer M4	FA0685		2
18	M4 Nyloc Nut	C94323		1
19	8mm Nut	FA0122		2
20	8mm Olive	FA0011		3
21	M4 x 25 Pozi Pan Head	FA0186		2
22	Micro-Switch Fixing Kit	GC0179		1
23	Control Valve	GC0168		1
24	No 8 x 10mm Black Pozidrive Screw	FA0016		1
25	Slide Control Ignitor	EL0573		1
26	Ignition Lead	EL0578		3
27	Venturi Seal	FA0171		1



Due to continual technical improvements please check online or with your Gazco retailer for the most up to date parts lists.

Only use Genuine Gazco spares when servicing your appliance.

All of our essential spare parts and consumable items are available to purchase from our webshop at www.gazcospares.com.

Service Records

1ST SERVICE

Date of Service:.....
Next Service Due:.....
Signed:.....
Retailer's Stamp/GasSafe Registration Number

3RD SERVICE

Date of Service:.....
Next Service Due:.....
Signed:.....
Retailer's Stamp/GasSafe Registration Number

5TH SERVICE

Date of Service:.....
Next Service Due:.....
Signed:.....
Retailer's Stamp/Gas Safe Registration Number

7TH SERVICE

Date of Service:.....
Next Service Due:.....
Signed:.....
Retailer's Stamp/GasSafe Registration Number

9TH SERVICE

Date of Service:.....
Next Service Due:.....
Signed:.....
Retailer's Stamp/GasSafe Registration Number

2ND SERVICE

Date of Service:.....
Next Service Due:.....
Signed:.....
Retailer's Stamp/GasSafe Registration Number

4TH SERVICE

Date of Service:.....
Next Service Due:.....
Signed:.....
Retailer's Stamp/GasSafe Registration Number

6TH SERVICE

Date of Service:.....
Next Service Due:.....
Signed:.....
Retailer's Stamp/GasSafe Registration Number

8TH SERVICE

Date of Service:.....
Next Service Due:.....
Signed:.....
Retailer's Stamp/GasSafe Registration Number

10TH SERVICE

Date of Service:.....
Next Service Due:.....
Signed:.....
Retailer's Stamp/GasSafe Registration Number

Information Requirement - Gas Heaters

Information Requirement for Gaseous Fuel Local Space Heater

Model		Logic HE BF Remote Control NG Log	Logic HE BF Remote Control LPG Log	Logic HE BF Slide Control NG Log	Logic HE BF Slide Control LPG Log
Fuel	Space Heating Emissions (NOx) - mg / kWh _{input} (GCV)	130	130	130	130

Heat Output	Nominal Heat Output - P_{nom}	3.3kW	3.2kW	3.3kW	3.3kW
	Minimum Heat Output (indicative) - P_{min}	1.8kW	1.8kW	1.9kW	1.9kW

Auxiliary Electricity Consumption	At Nominal Heat Output - $e_{l,max}$	N/A	N/A	N/A	N/A
	At Minimum Heat Output - $e_{l,min}$	N/A	N/A	N/A	N/A
	In Standby Mode - $e_{l,sb}$	N/A	N/A	N/A	N/A

Useful Efficiency (NCV)	Useful Efficiency at nominal heat output - $\eta_{th,nom}$	86.0%	86.0%	86.0%	86.0%
	Useful Efficiency at minimum heat output (indicative) - $\eta_{th,min}$	79.3%	81.5%	79.3%	81.5%

Permanent Pilot Flame Power requirement	Permanent Pilot Flame Power requirement (if applicable) - P_{pilot}	N/A	N/A	N/A	N/A
---	---	-----	-----	-----	-----

Type of heat output/room temperature control					
	Two or more manual stages, no room temperature control	No	No	Yes	Yes
	Electronic thermostat + day timer	Yes	Yes	No	No

Other control options (multiple selections possible)					
	Room temperature control, with presence detection	No	No	No	No
	Room temperature control, with open window detection	No	No	No	No
	With distance control option	No	No	No	No
	With adaptive start control	No	No	No	No
	With working time limitation	No	No	No	No
	With black bulb sensor	No	No	No	No

Energy Efficiency Index	82.0%	82.0%	77.0%	77.0%
Energy Efficiency Class	B	B	C	C

Contact:	Gazco Ltd, Osprey Road, Sowton Industrial Estate, Exeter, EX2 7JG
----------	---

Gazco Limited, Osprey Road, Sowton Industrial Estate, Exeter, Devon, England EX2 7JG
Technical Customer Services: (01392) 261950 Fax: (01392) 261951
E-mail: technicalservices@gazco.com

A member of the Stovax Group
E & O E