



Fire Your Imagination



Conventional Flue Log Effect Stove Range

with Thermostatic Remote Control

Instructions for Use, Installation and Servicing

For use in GB, IE (Great Britain and Republic of Ireland)

IMPORTANT

THE OUTER CASING, FRONT AND GLASS PANEL BECOME EXTREMELY HOT DURING OPERATION AND WILL RESULT IN SERIOUS INJURY AND BURNS IF TOUCHED. IT IS THEREFORE RECOMMENDED THAT A FIREGUARD COMPLYING WITH BS 8423 (LATEST EDITION) IS USED IN THE PRESENCE OF YOUNG CHILDREN, THE ELDERLY OR INFIRM.

ENSURE THAT ALL COMBUSTIBLE MATERIALS ARE NOT POSITIONED ABOVE OR NEAR TO THE APPLIANCE OUTER CASING.

This product contains a heat resistant glass panel. This panel should be checked during Installation and at each servicing interval. If any damage is observed on the front face of the glass panel (scratches, scores, cracks or other surface defects), the glass panel must be replaced and the appliance must not be used until a replacement is installed. Under no circumstances should the appliance be used if any damage is observed, the glass panel is removed or broken.

It is essential that ALL of the screws that retain the glass frame are replaced and tightened correctly. Under no circumstances should the appliance be operated if any of these screws are loose or missing.

These Instructions must be left with the appliance for future reference and for consultation when servicing the appliance. Please make the customer aware of the correct operation of the appliance before leaving these instructions with them.

The commissioning sheet found on Page 3 of this Instruction manual must be completed by the Installer prior to leaving the premises.

Contents

Gazco Loft Range - Conventional Flue

Covering the following models:

MODEL	LOFT
Nat Gas	548-006
LPG	548-443

Appliance Commissioning Checklist	3
User Instructions	4
Installation Instructions	11
Technical Specifications	11
Site Requirements	13
Installation	16
Commissioning	27
Servicing Requirements	28
Fault Finding	28
How to replace parts	30
Spare parts list	38
Service Records	41
Information Requirement - Gas Heaters	42



If you have purchased your stove or fire from an authorised stockist within our Expert Retailer Network, then automatically your product will carry a 2 year warranty as standard. The 2 year warranty can be further extended to a total warranty period of 5 years by registering your Gazco Stove or Fireplace within one month of the later of the purchase date or installation date. Accordingly, the start date for the warranty period is the date of purchase. During the registration process, the Expert Retailer details will be required for your Extended Warranty to be activated. Any product purchased outside of our Expert Retailer Network will carry a standard 12 month, non-extendable warranty.

It is a condition of the Extended Warranty that the installation complies with the relevant Building Regulations and is carried out by a suitably trained and qualified individual (GasSafe in the UK or equivalent in other countries) with the certificate of installation and the Commissioning Report on Page 3 completed and retained by the end user.

Full terms and conditions are detailed in the Warranty Statement on the Gazco website www.gazco.com. In the event of any conflict of information the wording on the website shall prevail.

Important Note: Should any problems be experienced with your product, claims must first be submitted to the Expert Retailer where the appliance was purchased from who will offer immediate assistance or contact Gazco on your behalf.



It is a requirement of the Building Regulations 2010 that the installation of this appliance is notified to the Local Authority. It is the responsibility of the GasSafe registered installer to carry out this notification to the Local Authority via the GasSafe register Competent Persons Scheme in England and Wales (different rules apply in Scotland and Northern Ireland).

When the installation has been notified, GasSafe will send a Building Regulations Compliance Certificate to you containing details of the work completed. Please ensure that the person responsible for the installation of this appliance completes this notification and records it in the Appliance Commissioning Checklist on page 3.

IT IS YOUR RESPONSIBILITY TO COMPLY WITH THE BUILDING REGULATIONS AND BE ABLE TO PRODUCE THIS CERTIFICATE SHOULD IT BE REQUIRED IN THE FUTURE.

Appliance Commissioning Checklist

To assist us in any guarantee claim please complete the following information:-

IMPORTANT NOTICE

Explain the operation of the appliance to the end user, hand the completed instructions to them for safe keeping, as the information will be required when making any guaranteed claims.

FLUE CHECK	PASS	FAIL
1. Flue Is correct for appliance		
2. Flue flow Test		
3. Spillage Test		
GAS CHECK		
1. Gas soundness & let by test		
2. Standing gas pressure	mb	
3. Appliance working pressure (on High Setting) Minimum Pressure Requirement: NG - 17.5mbar LPG - 34.5mbar NB All other gas appliances must be operating on full	mb	
4. Gas rate	m ³ /h	
5. Does Ventilation meet appliance requirements		
SAFETY CHECK		
1. Check soundness of the Thermocouple connections - including tightness and lead integrity		
2. Glass checked to ensure no damage, scratches, scores or cracks		
3. Glass frame secured correctly and all screws replaced		
BUILDING CONTROL NOTIFICATION	YES	NO
1. Installer notified GasSafe/Local Authority of installation via Competent Persons Scheme?		

RETAILER AND INSTALLER INFORMATION

Retailer

.....

.....

Contact No.....

Date of Purchase

Model No.

Serial No.....

Gas Type

Installation Company

.....

.....

Engineer.....

Contact No.....

GasSafe Reg No.

Date of Installation

User Instructions

Welcome

Congratulations on purchasing your Gazco Loft, if installed correctly Gazco hope it will give you many years of warmth and pleasure for which it was designed.

The purpose of this manual is to familiarise you with your appliance, and give guidelines for its installation, operation and maintenance. If, after reading, you need further information, please do not hesitate to contact your Gazco retailer.

WARNING



In the event of a gas escape or if you can smell gas, please take the following steps:

- **Immediately turn off the gas supply at the meter/emergency control valve**
- **Extinguish all sources of ignition**
- **Do not smoke**
- **Do not operate any electrical light or power switches (On or Off)**
- **Ventilate the building(s) by opening doors and windows**
- **Ensure access to the premises can be made**

Please report the incident immediately to the National Gas Emergency Service Call Centre on 0800 111 999 (England, Scotland and Wales) , 0800 002 001 (N. Ireland) or in the case of LPG, the gas supplier whose details can be found on the bulk storage vessel or cylinder.

The gas supply must not be used until remedial action has been taken to correct the defect and the installation has been recommissioned by a competent person.

1. General

- 1.1 Installation and servicing must only be carried out by a competent person whose name appears on the GasSafe register. To ensure the engineer is registered with GasSafe they should possess an ID Card carrying the following logo:

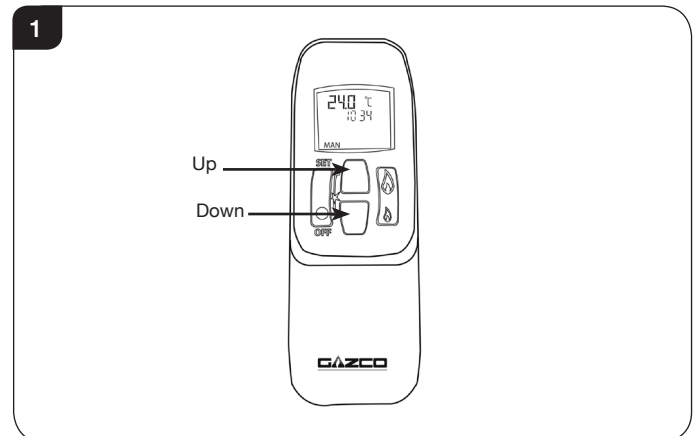


- 1.2 In all correspondence, please quote the appliance type and serial number, which can be found on the data badge located under the top plate between the carcass and firebox or on the Commissioning Checklist on Page 3.
- 1.3 **Do not** place curtains above the appliance: You must have 300mm clearance between the appliance and any curtains at either side.

- 1.4 The manufacturer considers the full outer casing of this appliance to be a working surface and it will become hot whilst in operation. A suitable guard is recommended to protect young children, the aged and the infirm.
- 1.5 No furnishings or other objects should be placed within 1 metre of the front of the appliance.
- 1.6 If a shelf is fitted, a distance of 225mm above the appliance is required.
- 1.7 Do not attempt to burn rubbish in this appliance.
- 1.8 This appliance must only be operated with the door secured firmly in position. If any cracks appear in the glass the appliance must not be used until the glass panel is replaced.
- 1.9 This product is guaranteed for 5 years from the date of installation, as set out in the terms and conditions of sale between Gazco and your local Gazco retailer. Please consult with your local Gazco retailer if you have any questions. In all correspondence always quote the Model Number and Serial Number.

2. Operating the Appliance

The appliance is operated by thermostatic remote control.



- 2.1 **Turning the appliance On**
Your remote can control the gas appliance from pilot ignition through to shut down.

To turn the appliance on press the OFF button and the UP button simultaneously. You hear several short signals.
The pilot and main burner ignite and the remote is now in Manual Mode:



IMPORTANT: YELLOW FLAMES TYPICALLY APPEAR WHEN THE APPLIANCE HAS REACHED NORMAL OPERATING TEMPERATURE. THIS CAN TAKE UP TO 30 MINUTES.



WARNING: IF THE APPLIANCE FAILS TO LIGHT OR BECOMES EXTINGUISHED IN USE, WAIT 3 MINUTES BEFORE ATTEMPTING TO RELIGHT.

User Instructions

2.2 There are 3 different modes available for controlling and operating the appliance:

1. Manual Mode
2. Temp Mode (Automatic)
3. Timer Mode (Automatic)

2.3 In **MANUAL MODE** you can:

- turn on the main burner using the UP button
- regulate the flame from high to low and back
- turn off the burner leaving just the pilot burning

In **TEMP MODE (Automatic)** you can:

- set the room temperature so the thermostat in the remote automatically maintains that temperature

In **TIMER MODE (Automatic)** the appliance:

- turns on and off according to the set time periods
- automatically regulates the room temperature during the set periods



NOTE: When operating the appliance in Temp or Timer mode, the pilot remains lit and the appliance then automatically switches on at programmed times to bring the room to the set temperature whether or not you are in the room. NEVER LEAVE ANY COMBUSTIBLE MATERIALS WITHIN 1 METRE OF THE FRONT OF THE APPLIANCE.

Switching Between Modes

2.4 Press the SET button to change to Temperature Mode. Press again to change to Timer Mode. Keep pressing to run through all operating modes. These are:

- MAN
- DAY TEMP
- NIGHT TEMP
- TIMER

and back to MAN

NOTE: MAN mode can also be reached by pressing either the UP or DOWN button.

Manual Mode

2.5 Press the OFF button and the UP button simultaneously. You hear several clicks and audible beeps as the appliance begins the ignition process, (up to 30 seconds).

Turning the appliance Off:

Press the OFF button to turn the appliance off.

FOR SAFETY, YOU MUST WAIT 30 SECONDS BEFORE LIGHTING THE APPLIANCE AGAIN.

Increasing the Flame Height:

Press the UP button once to increase flame height one stage. Press and hold the UP button to increase to maximum.

Decreasing the Flame Height:

Press the DOWN button once to decrease flame height one stage. Press and hold the DOWN button to decrease to minimum. At the lowest point the appliance goes to 'Standby Mode' (Only Pilot lit).



NOTE: While pressing a button a symbol indicating transmission appears on the display. The receiver confirms transmission with a sound signal.

Temp Mode (Automatic)

2.6 The display shows the current **room** temperature.

To increase or decrease the appliance's output:

Press the SET button to select either the DAY TEMP or the NIGHT TEMP mode by briefly pressing the SET button.

Hold the SET button until the TEMP display flashes and then let go.

Set the desired temperature with the UP and DOWN arrows (Minimum temperature 5C, maximum 40C or 40F to 99F when Fahrenheit is the preferred option).

Press the OFF button to stop the display flashing or wait to return to TEMP mode.



NOTE: If you set a temperature that is beneath the current room temperature, the appliance automatically switches to PILOT (Stand by).

If you would like the Night temperature control to turn off then decrease the temperature until [-] is displayed.

Timer Mode (Automatic)

2.7 There are two programmable settings you can make over a 24 hour period, P1 and P2. These are normally used to provide an early morning and evening setting for each working week:

- P1 + ● = Start Timed Setting 1
- P1 + ⤴ = End of Timed Setting 1
- P2 + ● = Start Timed Setting 2
- P2 + ⤴ = End of Timed Setting 2

2.8 **P1 - Program 1 for a Timed Setting**

Press the SET button until the TIMER mode is displayed.

Hold the SET button. The displays flashes the current time for P1. **While the time displayed is flashing you can alter the hours and minutes set.**

To set the time your appliance first lights, change P1 ●
 — Press the UP button to alter the hour
 — Press the DOWN button to alter the minutes in 10 minute increments

Press SET again to move to the end setting for P1 ⤴ This is the time your appliance first shuts down:

- Press the UP button to alter the hour
- Press the DOWN button to alter the minutes

User Instructions

2.9 P2 - Program 2 for a Timed Setting

Use the same steps outlined in 2.8 to change the setting for P2.

If you have already set P1 and want to alter the setting for P2 only:

- Press the SET button until TIMER mode is displayed.
- Hold the SET button **until the display flashes the current time** for P1 ●
- Press the SET button once again to scroll past the settings for P1 ● and P1

With the time still flashing:

- Press the UP button to alter the hour
- Press the DOWN button to alter the minutes

Once all four times are set press the OFF button

2.10 To view existing settings:

- Select Timer Mode
- Press and briefly hold the SET button you see the start time for P1
- Repeat the above step for the start and end of each program

Low Battery

“BATT” is displayed on the remote when its batteries need replacement.

Setting the time

Simultaneously press the up and down buttons.

Press the up button to set the hour and the down button to set the minutes.

Press OFF to return to the manual mode or simply wait.

Setting the °C/24 Hour or °F/12 Hour clock

Press OFF and the down arrow until the display changes from °C/24 hour clock to °F/12 hour clock and vice versa.



If the remote is removed, lost or damaged, signals transmitted to the receiver cease. Your appliance will go to standby (pilot) mode after 6 hours.

Troubleshooting



IMPORTANT: In the unlikely event that the handset fails to communicate correctly with the appliance it may be necessary to turn off the gas supply at the isolation valve until any problems can be resolved.

The gas meter and isolation valve can be located outside in a meter box, under the stairs, beneath the kitchen sink or in the garage. Whilst this list is not exhaustive, it is important to be able to identify the location of the valve in case of any gas emergency.

To turn off the gas supply, simply turn the handle so the lever is at 90 degrees to the upright gas pipe.

If you smell gas, open doors and windows and never operate any electrical switches. Immediately call the Gas Emergency Services on 0800 111 999.

User Instructions

3. Cleaning the Appliance



IMPORTANT: THE OUTER PANELLING OF THE GAZCO LOFT IS MADE FROM CAST IRON. USE CAUTION WHEN INSTALLING, REMOVING AND STORING AS THE COMPONENTS ARE HEAVY AND SHOULD BE HANDLED CAREFULLY.

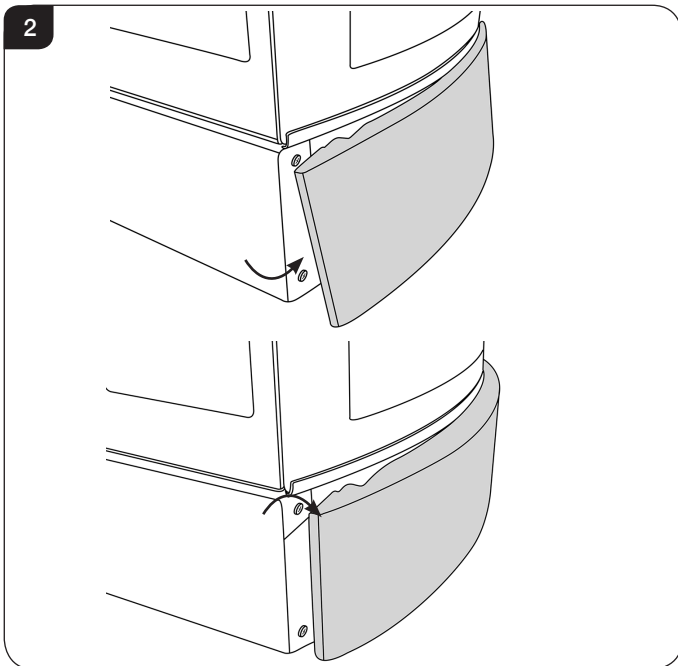
3.1 Make sure the fire and surrounds are cool before cleaning.

Use:

- A dry cloth to clean the appliance casting.
- A damp cloth for the glass front.

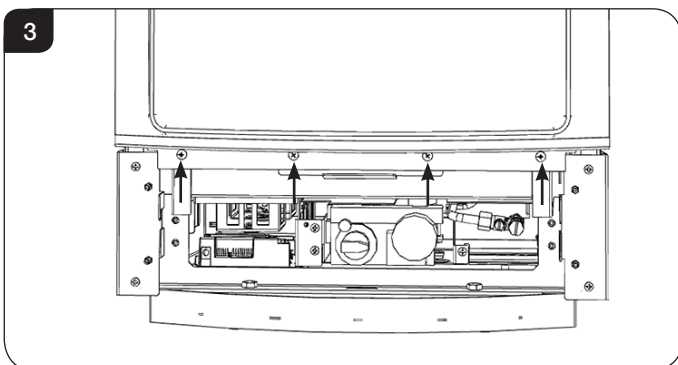
3.2 Remove the plinth to access the controls:

1. Pull the lower section of the plinth forward to release from the studs.
2. Lift the top section and tilt forward to clear the hooks and slots on the front of the appliance, see Diagram 2.



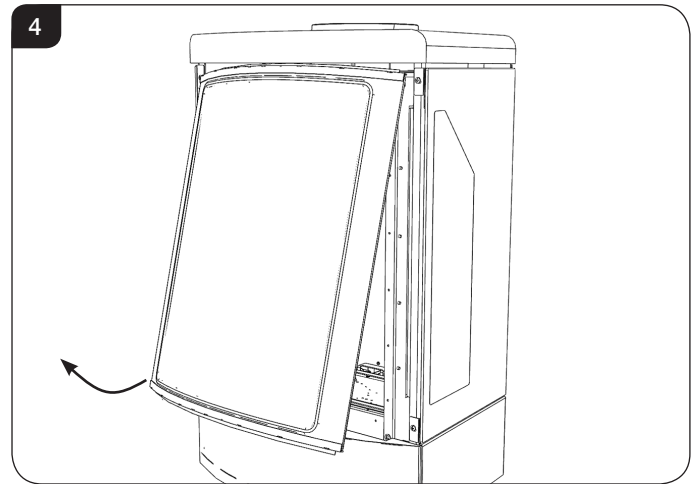
The glass door will need to be removed to gain access to the fuel effect.

3.3 Remove the 4 screws, see Diagram 3.



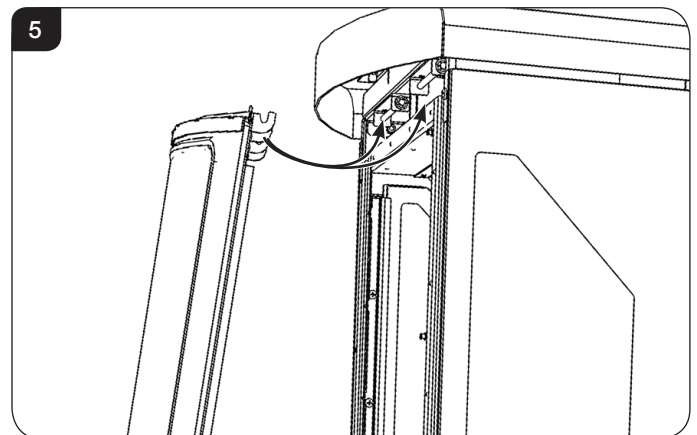
3.4 Lift the glass door slightly and angle the bottom away from the appliance. Lower the glass door to disengage the top hooks from the appliance, see Diagram 4.

NOTE: SUPPORT DOOR WHEN REMOVING.



The glass door must be refitted to the appliance following cleaning or servicing.

3.5 Angle the top of the glass door towards the appliance and locate the top hooks into the bars of the appliance, see Diagram 5.



3.6 Push the base of the glass door against the appliance and lower.

3.7 Secure the base of the glass door with the 4 screws, see Diagram 3.

3.8 Replace ALL of the securing screws, ensuring that a screw is present in all fixing slots.

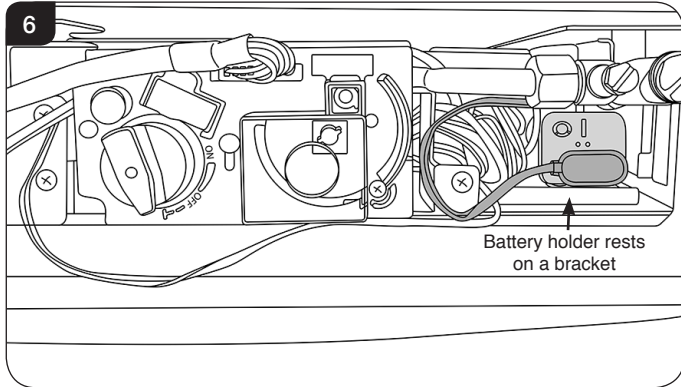


UNDER NO CIRCUMSTANCES SHOULD THE APPLIANCE BE USED IF ANY OF THE GLASS FRAME RETAINING SCREWS ARE LOOSE OR MISSING.

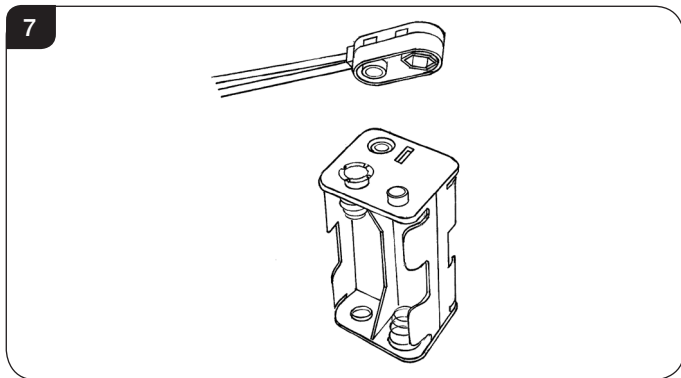
User Instructions

4. Changing the Appliance Batteries

- 4.1 The appliance batteries are located on a bracket located behind the lower plinth, see Diagram 6.
To remove the plinth see Section 3.



- 4.2 Unclip the battery holder from the connector and remove the old batteries.
- 4.3 Correctly position the 4 new AA size batteries into the battery holder. Re-assemble the battery holder as shown in Diagram 7.



- 4.4 Replace the battery holder.

i It is essential to use high quality batteries (Duracell or equivalent) when replacing batteries in the handset or control box.

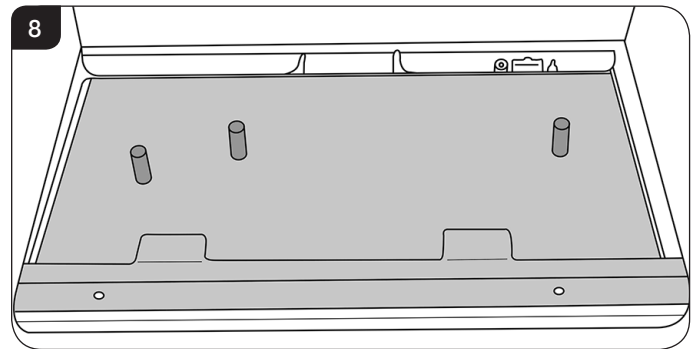
! PLEASE ENSURE NO WIRES ARE TRAPPED BEFORE REPLACING THE PLINTH. THE LEAD IS EASILY DAMAGED.

5. Log Layout

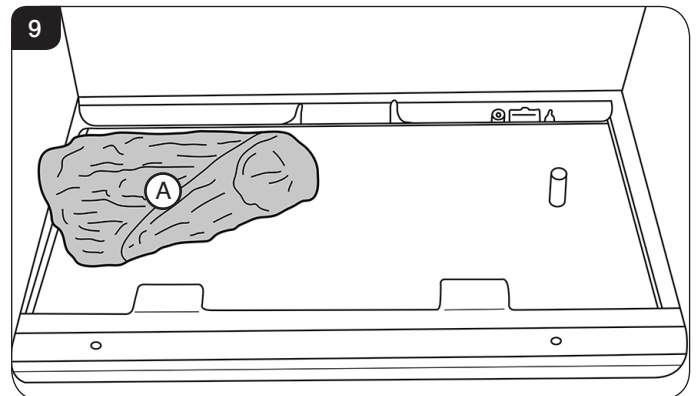
LOGS MUST BE POSITIONED ACCORDING TO THE FOLLOWING INSTRUCTIONS TO GIVE THE CORRECT FLAME EFFECT.

All logs can be identified by a letter (A - D) on their underside. Logs A and B have holes to locate each onto a burner stud.

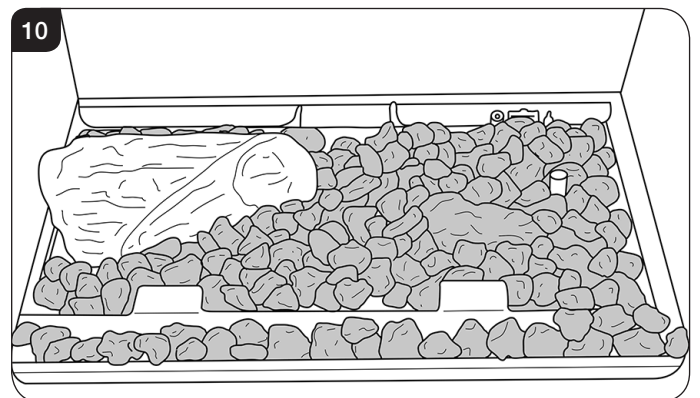
- 5.1 Ensure the burner tray is clean and free from any debris, see Diagram 8.



- 5.2 Place Log A in position on the 2 locating pins, see Diagram 9.

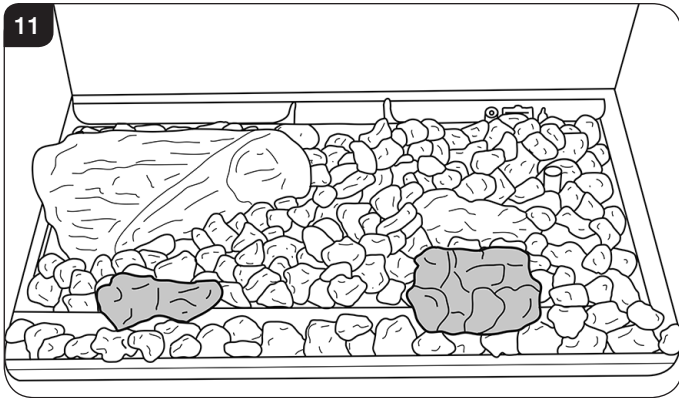


- 5.3 Spread the Lava Rock evenly over the fuel bed and around Log A, see Diagram 10.

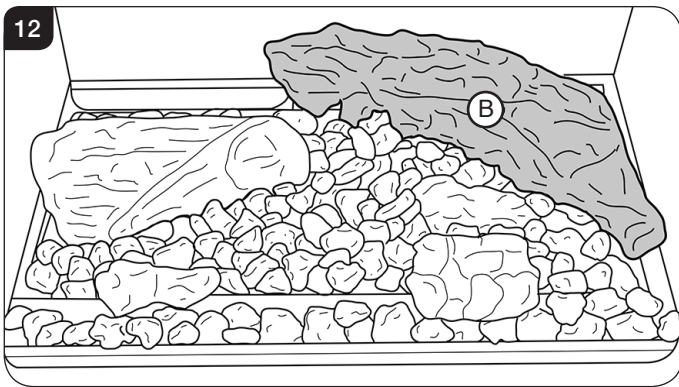


User Instructions

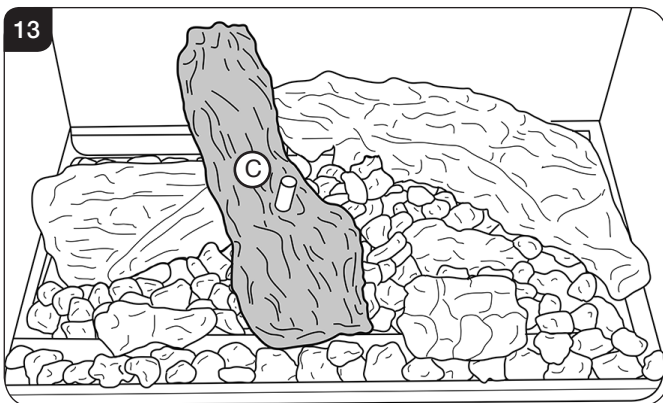
- 5.4 Position the 2 embers on the lip at the front of the fuel bed, see Diagram 11.



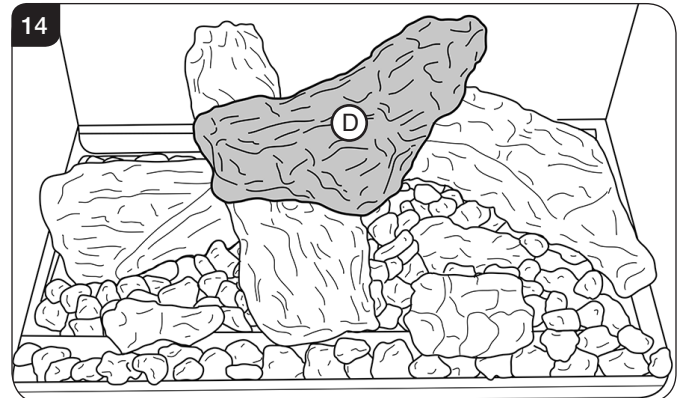
- 5.5 Log B is positioned on the right hand locating pin, and rests against the back liner, see Diagram 12.



- 5.6 Log C rests on Log A and the front tray with the locating pin facing up, see Diagram 13.

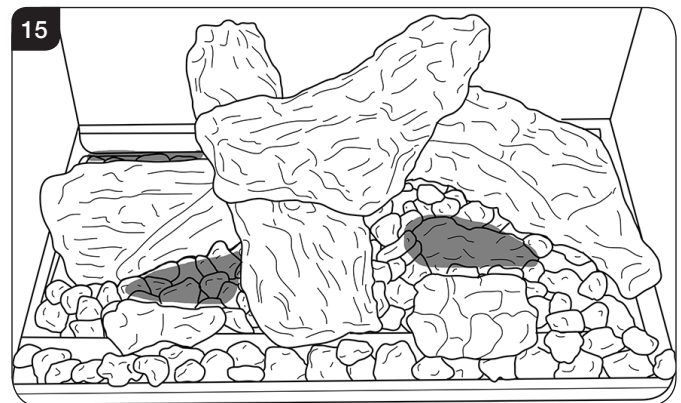


- 5.7 Log D fits onto the locating pin and rests on Log B, see Diagram 14.



- 5.8 Sparingly spread an amount of the Embaglow fibres provided on the sections highlighted, see Diagram 15.

Take care not to use more than half a packet per application.



User Instructions

6. Flue Sure System

- 6.1 The appliance is fitted with the Gazco Flue Sure System, which will act to cut off the gas supply to the burners in the event of incorrect operation of the flue. If the system acts to cut off the gas supply, this indicates that there is insufficient flue pull. If this occurs a minimum of 10 minutes should be allowed before trying to relight. Continued operation of this safety device means there may be a serious problem with the flue system. A qualified GasSafe engineer should inspect this.

DO NOT USE THE APPLIANCE UNTIL AN ENGINEER SAYS IT IS SAFE TO DO SO.

7. Flame Failure Device

- 7.1 This is a safety feature incorporated on this appliance which automatically switches off the gas supply if the pilot goes out and fails to heat the thermocouple.

IF THIS OCCURS DO NOT ATTEMPT TO RELIGHT THE APPLIANCE FOR 3 MINUTES.

8. Running In

- 8.1 During initial use of a new Gazco appliance a strong odour will be encountered as various surface coatings become hot for the first time. Although these odours are harmless it is recommended that the appliance is operated on maximum for 4 to 8 hours in order to fully burn off these coatings. After this period the odours should then disappear.

If the odours persists, please contact your installer for advice.

- 8.2 During the first few hours of burning there may be discolouration of the flames. This will also disappear after a short period of use.

9. Servicing

- 9.1 The appliance must be serviced every 12 months by a qualified GasSafe Engineer. In all correspondence always quote the Model number and the Serial number which may be found on the Commissioning Checklist (Page 3).

10. Ventilation

- 10.1 Any purpose provided ventilation should be checked periodically to ensure that it is free from obstruction.

11. Installation Details

- 11.1 Your installer should have completed the commissioning sheet at the front of this book. This records the essential installation details of the appliance. In all correspondence always quote the Model number and Serial number.

12. Hot Surfaces

- 12.1 Parts of this appliance become hot during normal use. Regard all parts of the appliance as a 'working surface', except for the access to the controls.
- 12.2 Provide a suitable fire guard to protect young children and the infirm.

Installation Instructions

Technical Specification

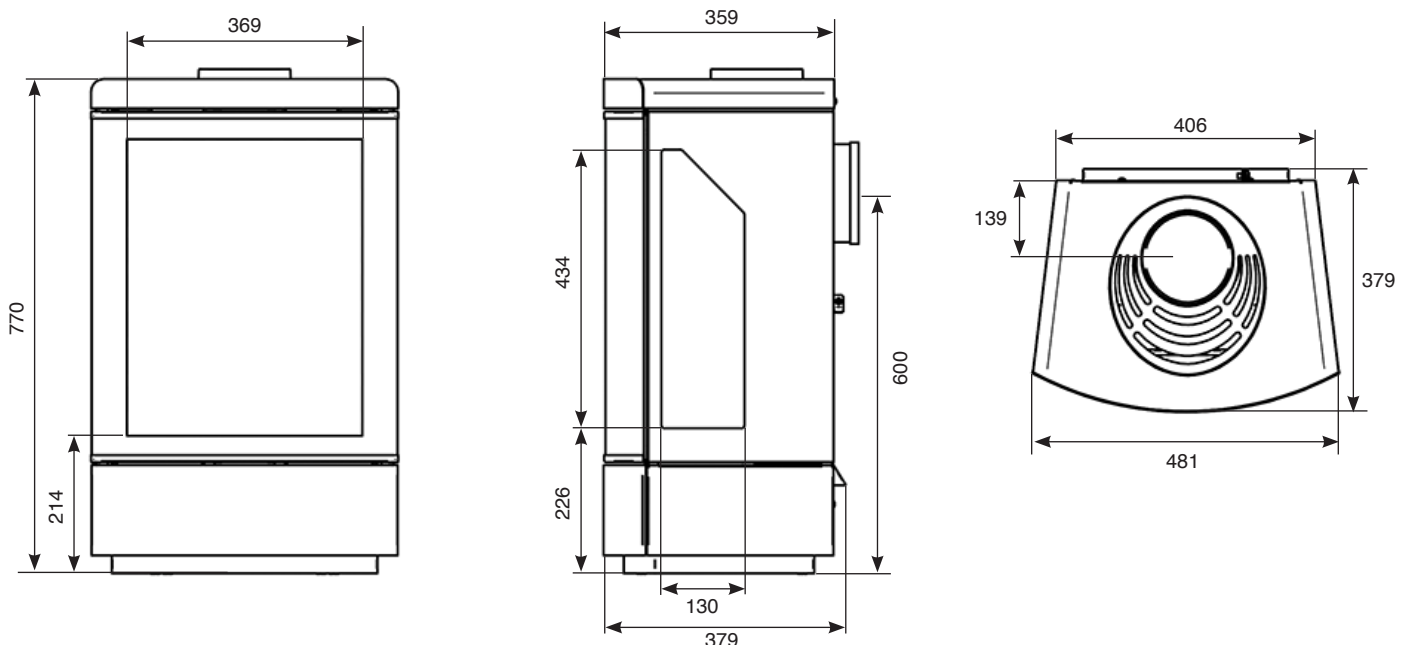
Covering the following models:

MODEL	LOFT
Nat Gas	548-006
LPG	548-443

Model	Gas CAT.	Gas Type	Working Pressure	Aeration	Injector	Gas Rate m ³ /h	Input kW (Gross)		Country
							High	Low	
Loft Nat Gas	I ₂ H	G20	20mbar	6mm x 2	360	0.590	6.2	3.5	GB, IE
Loft LPG	I ₃ P	G31	37mbar	13mm x 2	125	0.222	5.9	3.3	
Efficiency Class 1 - 78% Net									
Flue Size TOP/REAR EXIT 127mm ϕ									
Gas Inlet Connection Size = 8mm ϕ									
Minimum Flue Specification = T250/N2/O/D/1									
Maximum Flue Temp = 240°C									

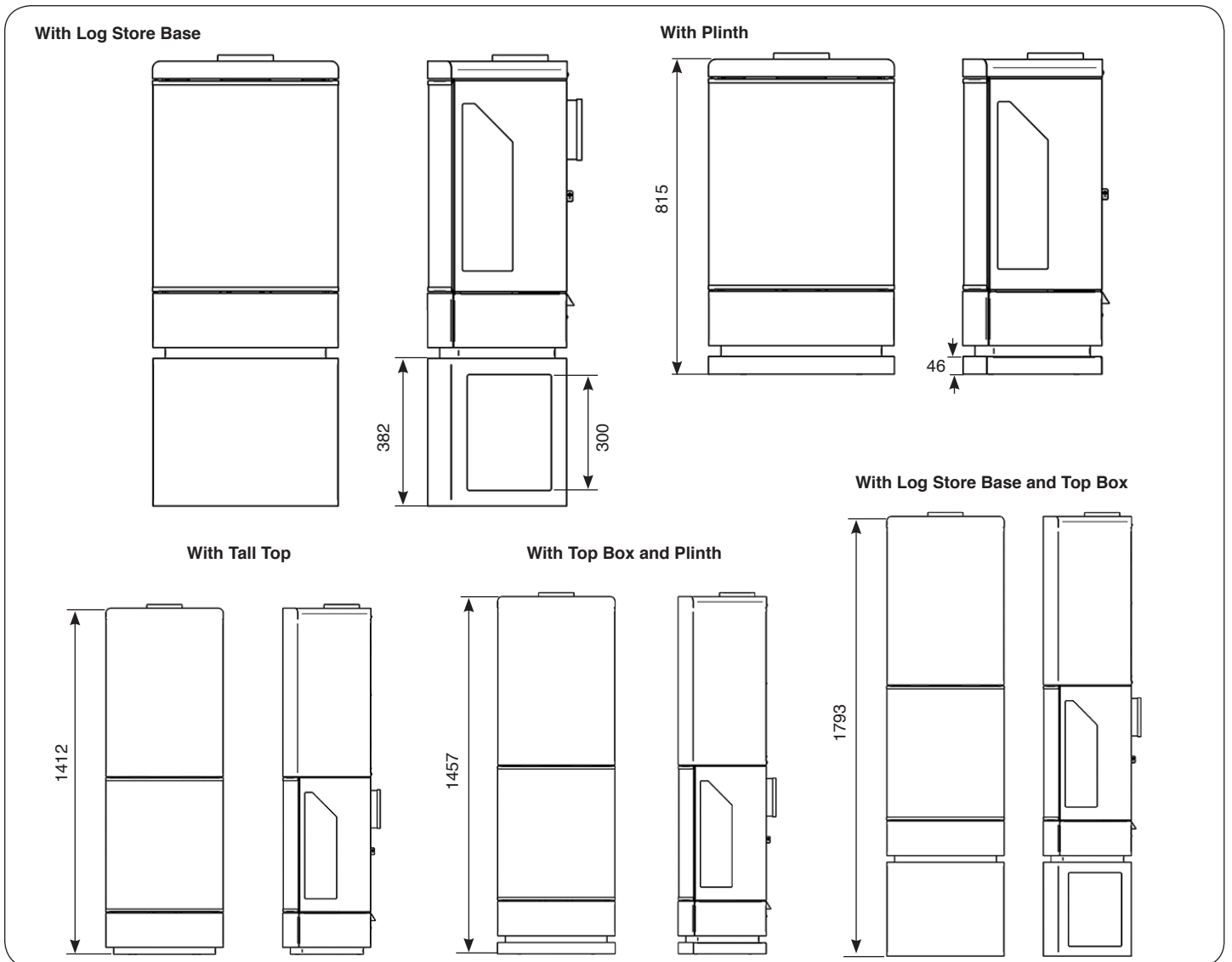
i The net efficiency of this appliance has been measured as specified in EN613:2001 and the result after conversion to gross using the appropriate factor from Table E4 of SAP 2012 is 70.2%. The test data has been certified by Kiwa Nederland B.V. The gross efficiency value may be used in the UK Government's Standard Assessment Procedure (SAP) for energy rating of dwellings.

Standard Model



Installation Instructions

Technical Specification



This appliance has been certified for use in countries other than those stated. To install this appliance in these countries, it is essential to obtain the translated instructions and in some cases the appliance will require modification. Contact Gazco for further information.

PACKING CHECKLIST

ALL MODELS	
Qty Description	Fixing Kit containing:-
1 x Loft Appliance 1 x Log Set (4 Logs) 1 x Lining Set	<p>All Models: 2 x No.8 Red Rawl Plugs 1 x Battery Holder 1 x Embaglow Packet 1 x Instructions 2 x No.8 Screw 4 x AA Batteries 1 x 9v Battery 1 x 70mm Restrictor</p> <p>Graphite Metal Plinth Only: 3 x M5x25 Hex Head Screws</p> <p>To Extension Section Only: 4 x No.8 x 10 Screws</p> <p>Stone Plinth & Log Store Only: 4 x Metal Rawl Plug 4 x No.6 x 40 Coach Screw 4 x 32mm Felt Pad</p>

Installation Instructions

Site Requirements

1. Flue & Chimney Requirements

WHEN INSTALLING A FLUE SYSTEM PLEASE REFER TO THE MANUFACTURERS INSTRUCTIONS.

- 1.1 The European chimney standards now describe chimneys and flues by their temperature, pressure and resistance to corrosion, condensation and fire. To identify the correct flue system, the minimum flue specification is shown in the Technical Specification. Existing chimneys are not covered by this system.
- 1.2 The chimney or flue system must comply with the rules in force, and must be a minimum of 127mm (5") in diameter.
- 1.3 A 5" (127mm) liner must be used if fitting the appliance into an existing brick built chimney. Larger lined flues can work, but in some instances could cause cold start flue problems resulting in nuisance shutdown. Lined flues above 7" (175mm) are not recommended.

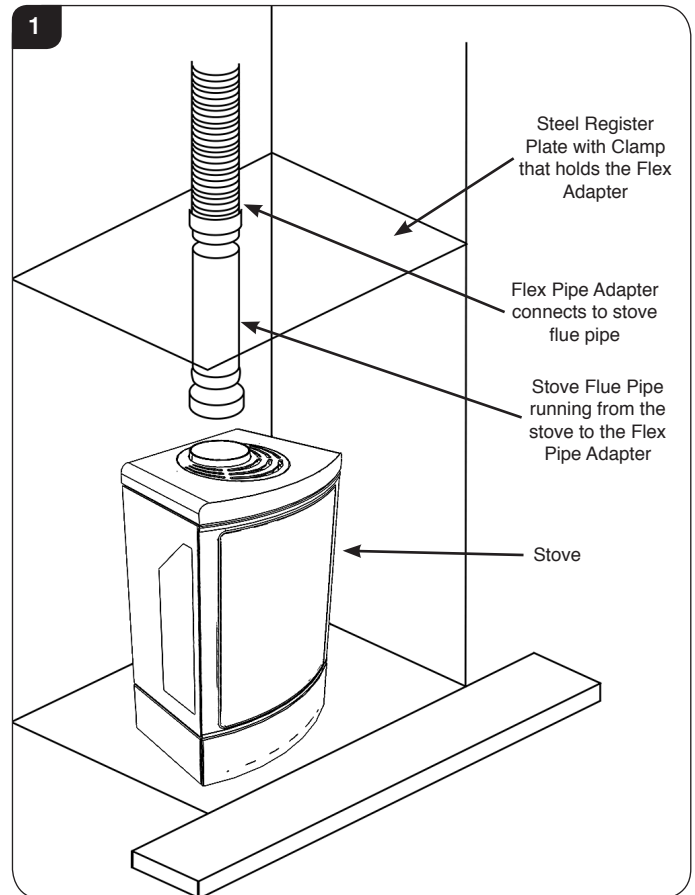
Suitable systems are:

- a) Flexible liner which must be continuous from the appliance spigot to the roof terminal.
- b) Gazco Linerless kit.

UNDER NO CIRCUMSTANCES MUST THE LINERLESS KIT BE USED WITH ANY INSTALLATION OTHER THAN AN EXISTING MASONRY CHIMNEY WHICH HAS A MINIMUM DIAMETER OF 178mm (7"). THE CHIMNEY MUST BE SOUND AND CLEAN. IF PREVIOUSLY USED FOR SOLID FUEL, IT MUST BE SWEEPED PRIOR TO PROCEEDING WITH THE INSTALLATION.

NOTE: If the Linerless kit is to be used, due care should be taken to prevent condensation forming in the chimney. Do not fit the Linerless Kit if the chimney is taller than 10 metres (external wall) or 12 metres (internal wall).

- 1.4 The minimum flue height for the appliance must be 3 metres (10ft). Any horizontal flue run from the rear outlet must not exceed 100mm from the back of the appliance.
- 1.5 The chimney or flue must be free from any obstruction. Any damper plates must be removed or secured in the fully open position, and no restrictor plates fitted.
- 1.6 The chimney must be swept prior to the installation, but it need not be swept if it can be seen the chimney is clean and unobstructed throughout its entire length.



2. Flue Options

- 2.1 Consult the rules in force.

NOTE: This appliance does not normally require any additional ventilation when installed in GB.

A range of Vitreous Enamel Gloss Black flue pipe is available to compliment the appliance. Please contact your Gazco retailer for further information.

Installation Instructions

Site Requirements

3. Gas Supply

This appliance is intended for use on a gas installation with a governed meter.

- 3.1 Before installation, ensure that the local distribution conditions (identification of the type of gas and pressure) and the adjustment of the appliance are compatible.
- 3.2 Ensure the gas supply delivers the required amount of gas and is in accordance with the rules in force.
- 3.3 You can use soft copper tubing on the installation and soft soldered joints outside the appliance and below the fire.
- 3.4 A factory fitted isolation device is part of the inlet connection; no further isolation device is required.
- 3.5 All supply gas pipes must be purged of any debris that may have entered prior to connection to the appliance.
- 3.6 The gas supply enters underneath the rear of the outer box.
- 3.7 The gas supply must be installed in a way that does not restrict the removal of the appliance for servicing and inspection.

4. Ventilation

IMPORTANT: Ensure any national ventilation requirements are taken into account during installation of the fire.

UK ONLY:

The appliance has a nominal input not exceeding 7.0kW and does not normally require any additional permanent ventilation.

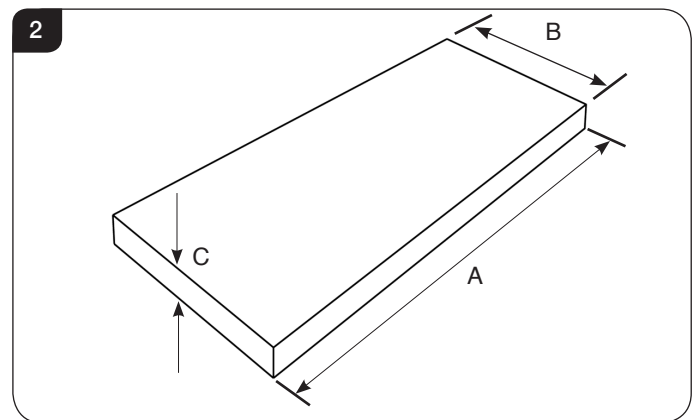
FOR THE REPUBLIC OF IRELAND REFER TO THE RULES IN FORCE FOR VENTILATION REQUIREMENTS.

5. Appliance Location

- 5.1 Once the position of the appliance has been decided: Follow the instructions for securing the appliance on Page 17.
- 5.2 The non-combustible hearth must be at least 12mm thick, and project a minimum of 50mm from the base of the appliance in all directions.
- 5.3 The appliance is not suitable for installation against a combustible wall. A combustible side wall must be a minimum of 200mm.
- 5.4 This appliance can be installed with an up and out flue (vertical wall - horizontal flue) or with a vertical flue with roof termination (see **Flue Options, Section 2 Site Requirements**).

**HEARTH INSTALLATION
(NOT APPLICABLE FOR BASE SECTION INSTALLATIONS MODELS)**

- 5.5 Building Regulations state this appliance must stand on a non-combustible hearth that is at least 12mm thick and projects 50mm minimum from the base of the appliance in all directions, however Gazco recommend the hearth extends to the following dimensions, see Diagram 2.



Dimensions	A	B	C
All Models	716mm	498mm	12mm

BASE SECTION INSTALLATION

- 5.6 It is not necessary to site these products on a non-combustible floor. However, for practical reasons, the floor should be flat and solid to allow the appliance to be levelled and secured in place.
- 5.7 This appliance may be situated anywhere in the room, but due consideration should be taken to ensure that it is sited within the constraints of the allowable flue configuration.

DO NOT INSTALL APPLIANCE ON A CARPET.

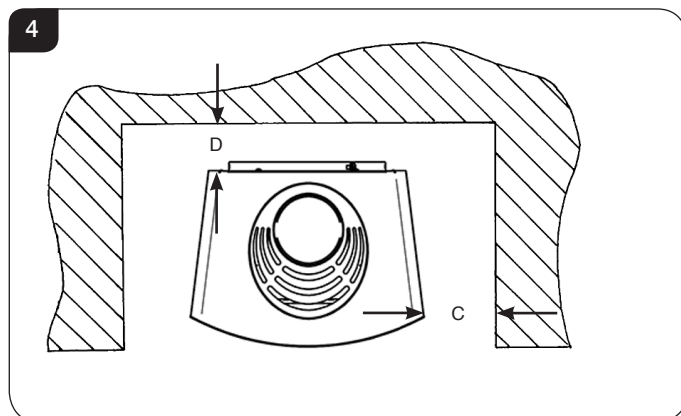
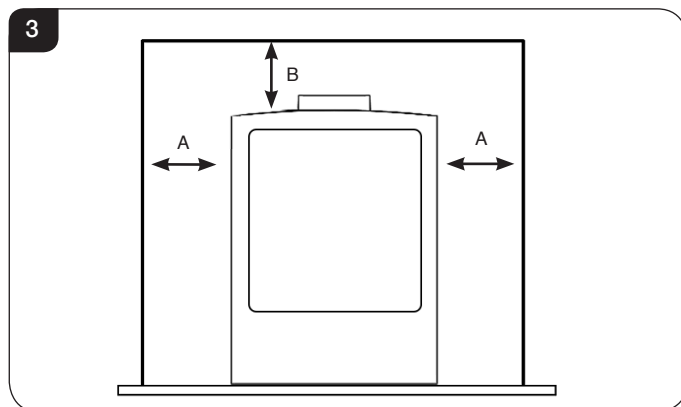
Installation Instructions

Site Requirements

MINIMUM CLEARANCE

- 5.8 The appliance is not suitable for installation against a combustible wall.
- 5.9 **Ensure that all minimum clearances to combustible materials are complied with as shown in Diagrams 3 & 4.**

The specified clearances provide the minimum distance to combustible materials. If the appliance is intended to be installed into a non-combustible opening the clearance to the **sides and above** the appliance can be reduced. However, it is recommended that the specified clearances are maintained irrespective of the materials used in the construction of the opening to allow adequate air flow and access to controls. **The clearance at the rear of the appliance must always be a minimum of 50mm.**



Dimension	Loft
A	200
B	225
C	200
D	50

- 5.10 The above dimensions provide adequate clearance to combustible materials. It may be necessary to add additional clearance so that spillage tests can be performed when necessary.

Installation Instructions

1. Safety Precautions

- 1.1 For your own and other's safety, you must install this appliance according to local and national codes of practice. Failure to install the appliance correctly could lead to prosecution. **Read these instructions before installing and using this appliance.**
- 1.2 These instructions must be left intact with the user.
- 1.3 Do not attempt to burn rubbish on this appliance.
- 1.4 Keep all plastic bags away from young children.
- 1.5 Do not place any object on or near to the appliance and allow adequate clearance above the appliance.

IF THE APPLIANCE IS EXTINGUISHED OR GOES OUT IN USE, WAIT 3 MINUTES BEFORE ATTEMPTING TO RELIGHT THE APPLIANCE.

i **IMPORTANT: REFER TO DATA BADGE AND TECHNICAL SPECIFICATION AT THE FRONT OF THE MANUAL TO ENSURE THE APPLIANCE IS CORRECTLY ADJUSTED FOR THE GAS TYPE AND CATEGORY APPLICABLE IN THE COUNTRY OF USE.**

FOR DETAILS OF CHANGING BETWEEN GAS TYPES REFER TO SERVICING, SECTION 15, REPLACING PARTS.

Unpacking

- 1.6 Remove the appliance from its packaging, and check that it is complete and undamaged.
- 1.7 The cast plate is stored on top of the appliance. Remove and store in a safe place.

Put the loose ceramic parts to one side so that they are not damaged during installation.

i **Please note: As an optional extra Gazco can provide a mains adapter to supply constant power to the appliance control box instead of the battery pack.**

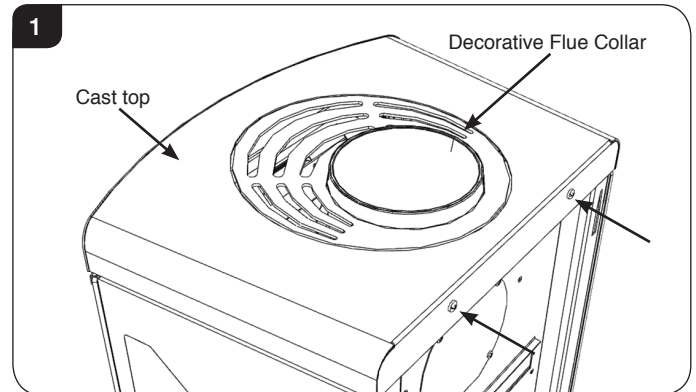
If installing an appliance with the adapter make provision for a mains power socket within 1.5m of the control box and follow the instructions provided.

2. Top or Rear Exit

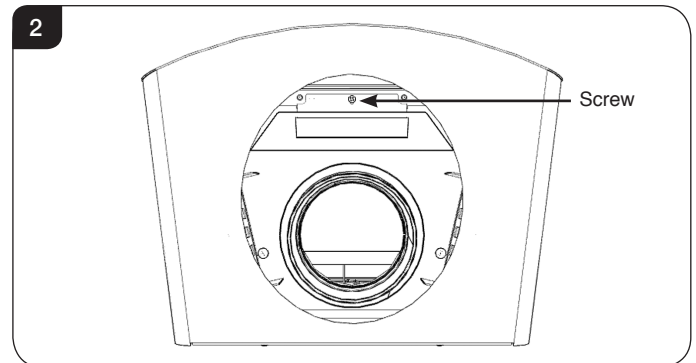
- 2.1 Before locating the appliance choose the correct flue outlet position.
- 2.2 The appliance is supplied as a top exit configuration.

Rear Exit

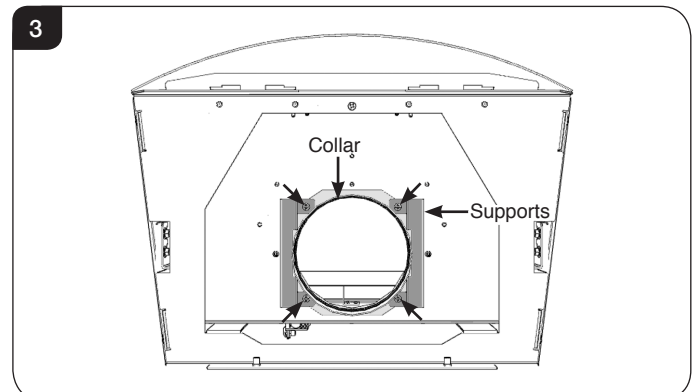
- 2.3 To switch outlets remove the decorative flue collar, see Diagram 1.



- 2.4 Remove the 2 screws from the back of the cast top plate, see Diagram 1.
- 2.5 Remove the flue insert, cast top and screw, see Diagram 2.

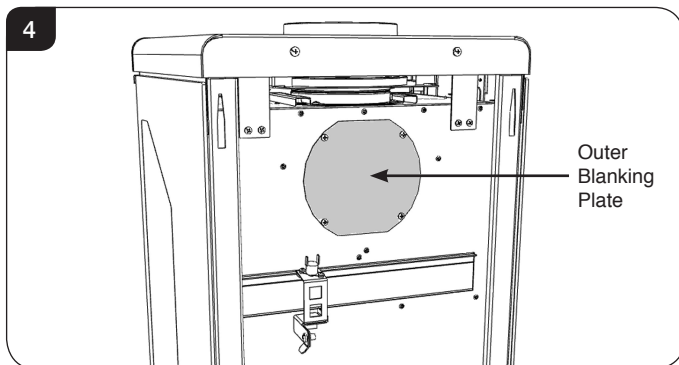


- 2.6 Remove the flue collar adapter supports and the flue spigot by removing the 4 screws, see Diagram 3.

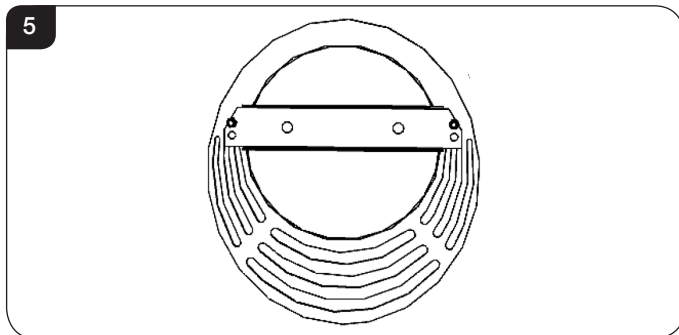


Installation Instructions

- 2.7 Swap the flue spigot **only** with the Blanking Plate on the rear of the appliance and replace flue collar adapter supports, see Diagram 4.



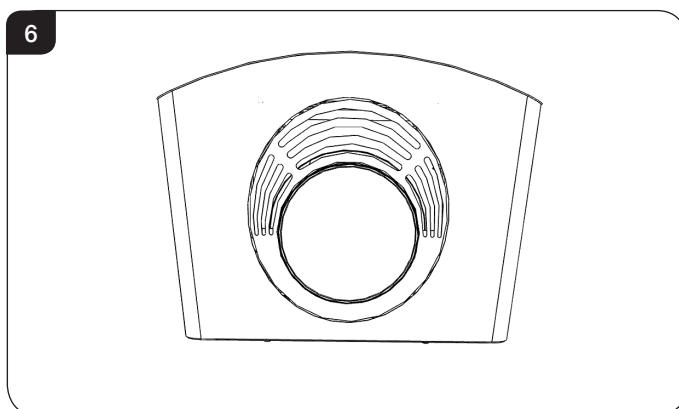
- 2.8 Attach the decorative flue blanking plate to the underside of the Decorative flue collar using the screws provided, see Diagram 5.



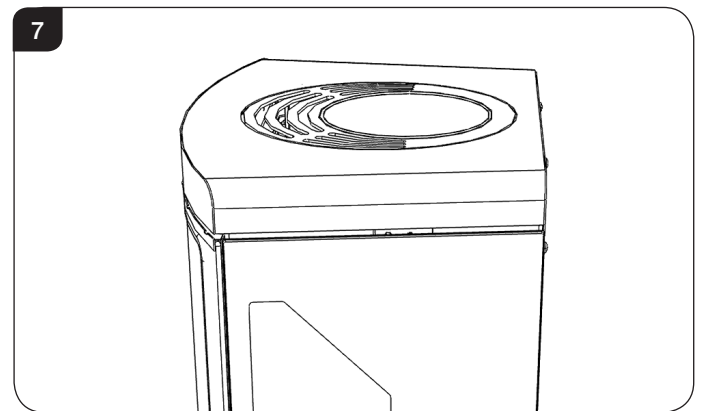
If installing a Top Extension Section, follow Section 4.

Installation without Top Extension Section:

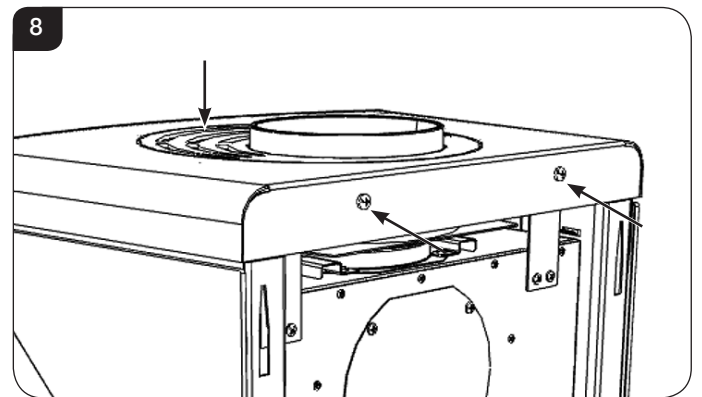
- 2.9 Sit the decorative flue blanking plate in position, see Diagram 6.



- 2.10 Replace the cast top plate. When fitted properly the cast top plate should sit flush with the rear of the appliance, see Diagram 7.



- 2.11 Secure the cast top plate with the 3 screws previously removed, see Diagram 8.

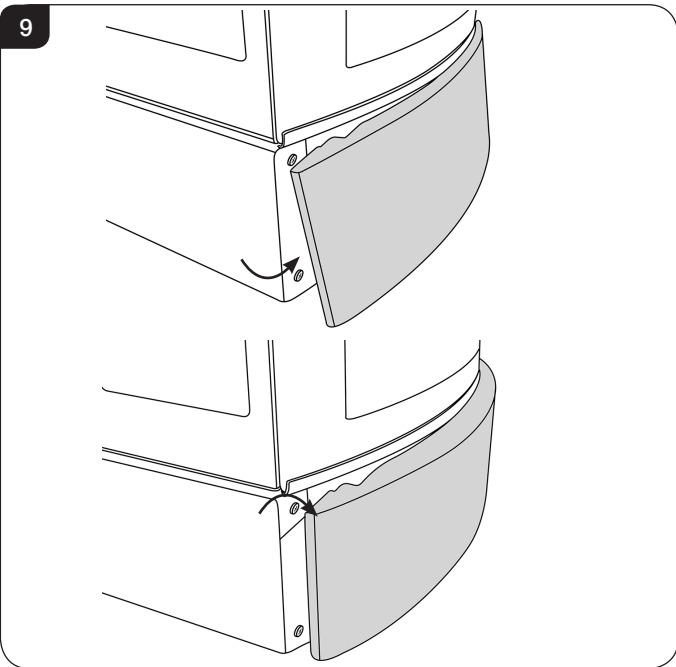


Installation Instructions

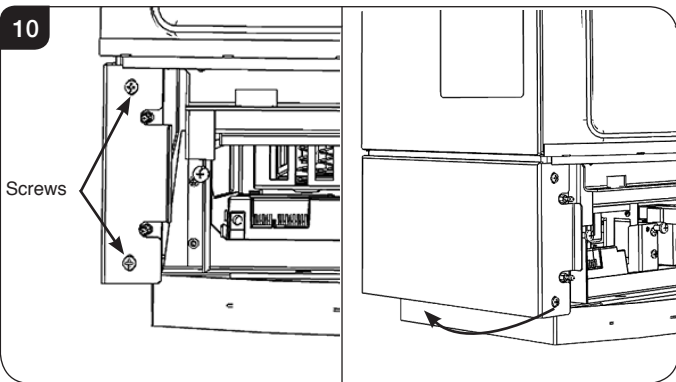
3. Fixing the Appliance to the floor

IMPORTANT: THE OUTER PANNELLING OF THE GAZCO LOFT IS MADE FROM CAST IRON. USE CAUTION WHEN INSTALLING, REMOVING AND STORING AS THE COMPONENTS ARE HEAVY AND SHOULD BE HANDLED CAREFULLY.

- 3.1 To fix the appliance via a Plinth or a Log Store it will be necessary to gain access to the fixing points on the appliance:
- 3.2 Remove the plinth to access the controls:
 1. Pull the lower section of the plinth forward to release from the studs.
 2. Lift the top section and tilt forward to clear the hooks and slots on the front of the appliance, see Diagram 9.



- 3.3 Remove the 2 side screws, see Diagram 10.

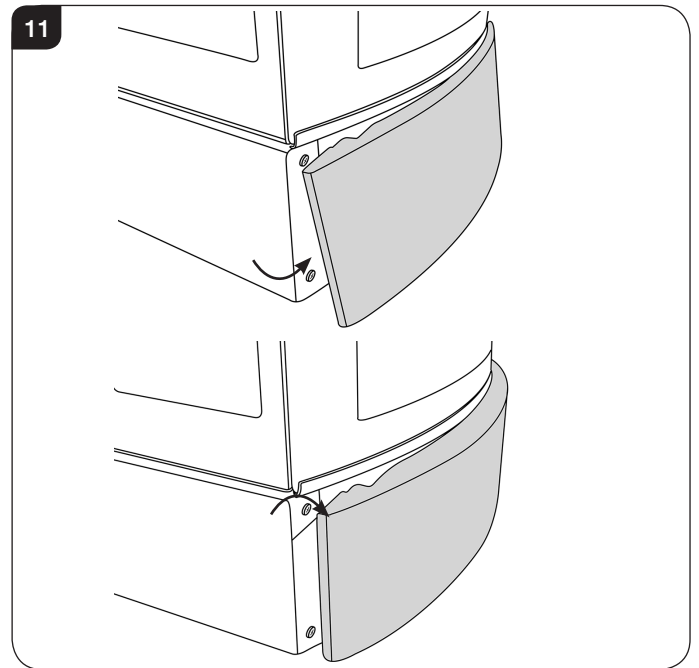


- 3.4 Pull the front of the side panels away from the appliance and slide backwards to disengage the back tabs, see Diagram 10.

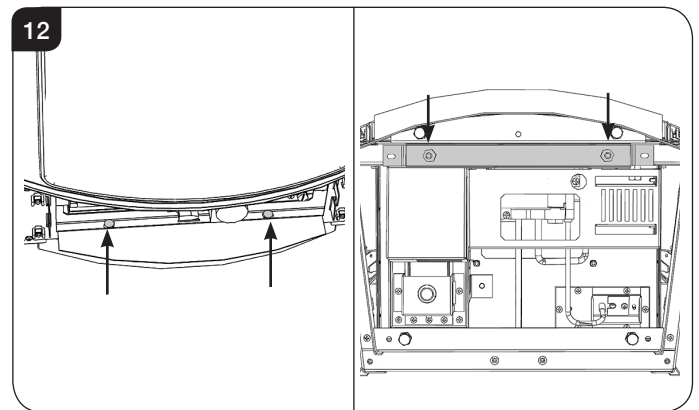
3A. Direct to Hearth

The appliance sits on a mounting bracket to secure it in place to either the hearth or bench.

- 3a.1 To fix to a hearth, first remove the mounting bracket from beneath the appliance.
- 3a.2 Remove the plinth to access the controls:
 1. Pull the lower section of the plinth forward to release from the studs.
 2. Lift the top section and tilt forward to clear the hooks and slots on the front of the appliance, see Diagram 11.

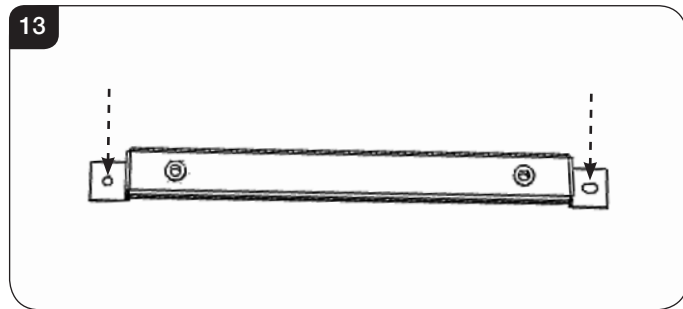


- 3a.3 Access the bolts that secure the bracket, see Diagram 12. Note the bracket can be accessed by tilting the appliance. Take care to support.



Installation Instructions

- 3a.4 Place in the desired position on the bench and mark the holes to drill the bracket screws, see Diagram 13.



- 3a.5 Remove the bracket and drill the guide holes.

- 3a.6 Fix the bracket in place.

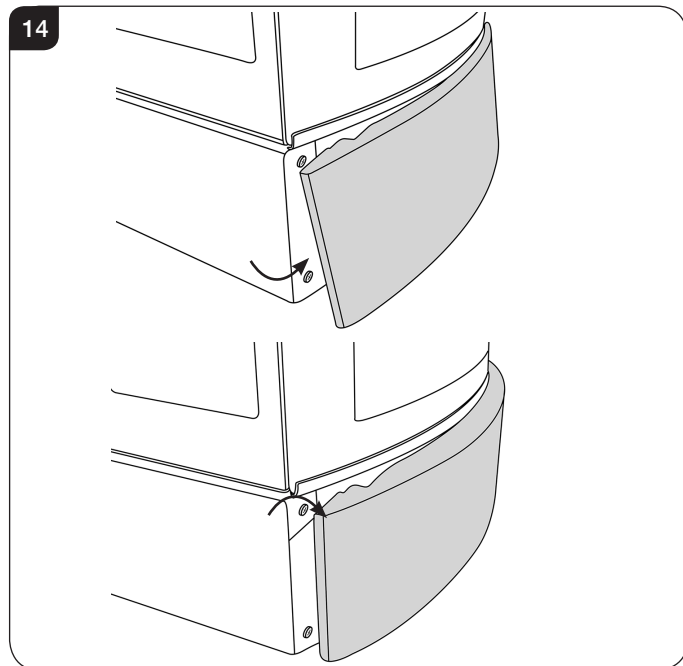
- 3a.7 Position the appliance on the bracket and secure down through the holes with the fixing previously removed, see Diagram 13.

3B. Plinth fixing

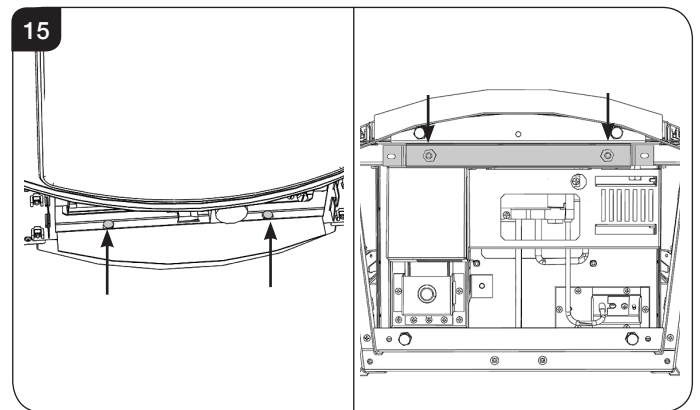
- 3b.1 To fix to a hearth with a plinth, first remove the mounting bracket from beneath the appliance.

- 3b.2 Remove the plinth to access the controls:

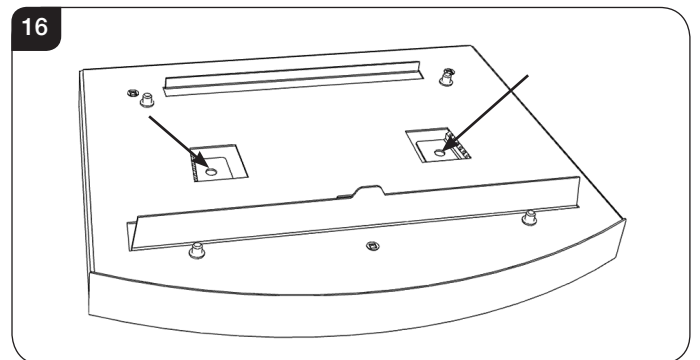
1. Pull the lower section of the plinth forward to release from the studs.
2. Lift the top section and tilt forward to clear the hooks and slots on the front of the appliance, see Diagram 14.



- 3b.3 Access the bolts that secure the bracket, see Diagram 15. Note the bracket can be accessed by tilting the appliance. Take care to support.



- 3b.4 Position the plinth on the hearth in the correct position and mark the fixing points, see Diagram 16.

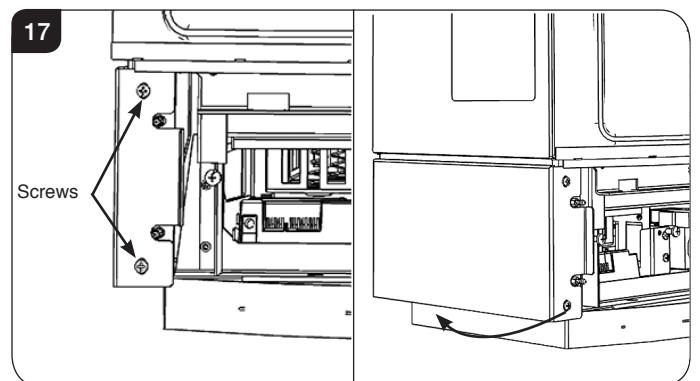


- 3b.5 Remove the plinth and drill the fixing holes.

- 3b.6 Position the plinth and place the mounting bracket in position on top.

- 3b.7 Secure with the screws and rawl plugs provided.

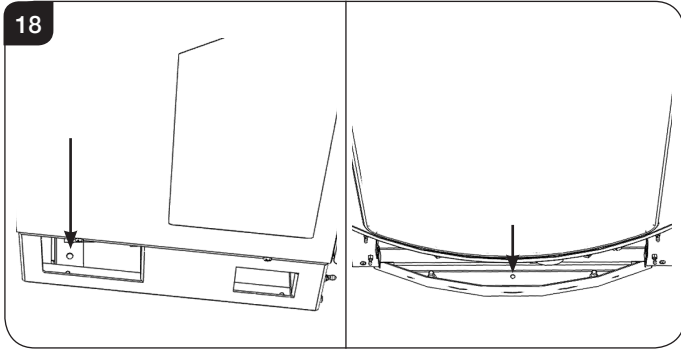
- 3b.8 Remove the 2 side screws, see Diagram 17.



Installation Instructions

3b.9 Pull the front of the side panels away from the appliance and slide backwards to disengage the back tabs, see Diagram 17.

3b.10 The anchor points for the sides and the front can now be accessed, see Diagram 18.



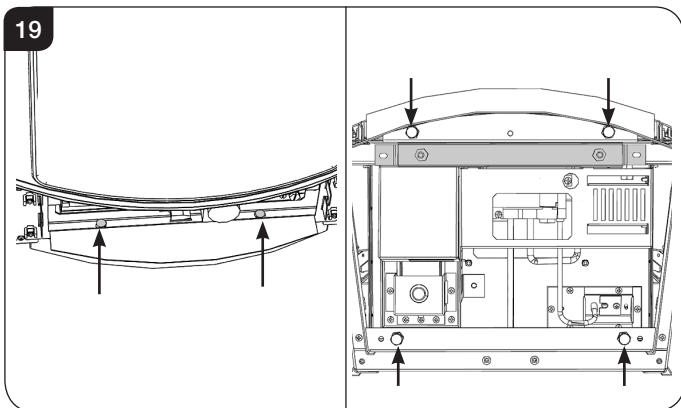
3b.11 Position the appliance on the plinth and secure down through the holes with the screws provided.
NOTE: If fitting with a stone plinth it will be necessary to place the screw threads in the fixing holes in the stone and apply felt pads to the underside before siting the appliance.

3C. Base Section fixing

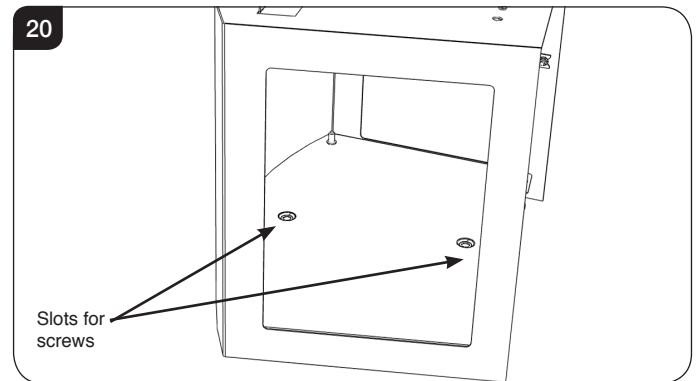
3c.1 To fix to a hearth with a Base Section and leveling feet, first remove the mounting bracket from beneath the appliance.

3c.2 Remove the lower front panel to access the bolts that secure the bracket, see Diagram 19. Note the bracket can be accessed by tilting the appliance. Take care to support.

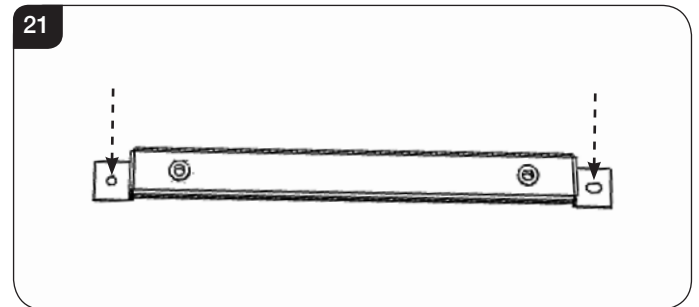
Remove the levelling feet - the bolts are used to secure the appliance to the Base Section.



3c.3 Position the Base Section where required and mark the holes to drill for the screws, see Diagram 20.



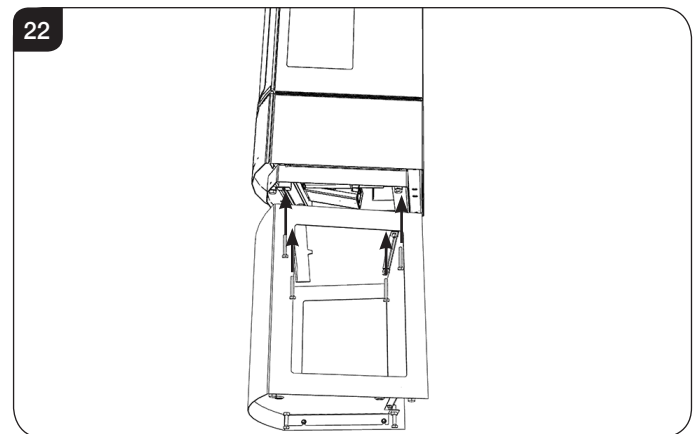
3c.4 Remove the Base Section and line the guide hole up with the corresponding holes on the fixing bracket. Mark the fixing bracket holes, see Diagram 21.



3c.5 Drill the fixing bracket holes and insert the rawl plugs into the guide holes.

3c.6 Reposition the Base Section and use the wood screws in the fixing kit supplied for hearth mounting installations to secure in place.

3c.7 Position the appliance on the Base Section and secure through the holes for the leveling feet with the screws provided.
NOTE: If fitting with a stone Base Section it will be necessary to place the screw threads in the fixing holes in the stone and apply felt pads to the underside before siting the appliance.



Installation Instructions

4. Installation of the Top Box

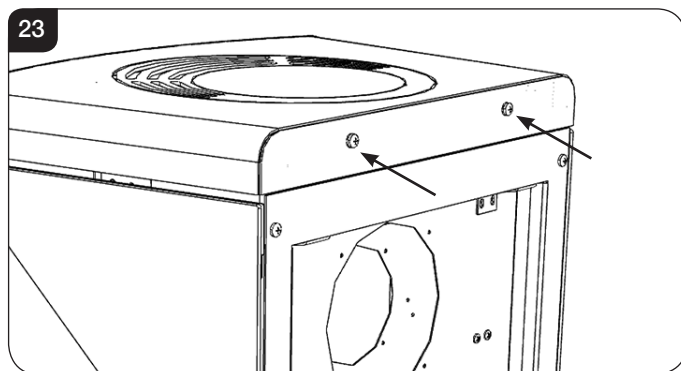
Rear Exit

4.1 Follow 4.5.

Top Exit

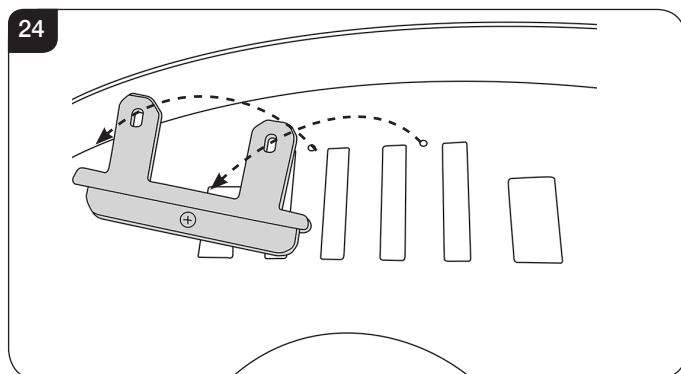
4.2 Remove the decorative flue collar, place carefully to one side as this will need to be refitted to the Top Extension Section.

4.3 Remove the 2 screws from the back of the top cast plate, see Diagram 23.

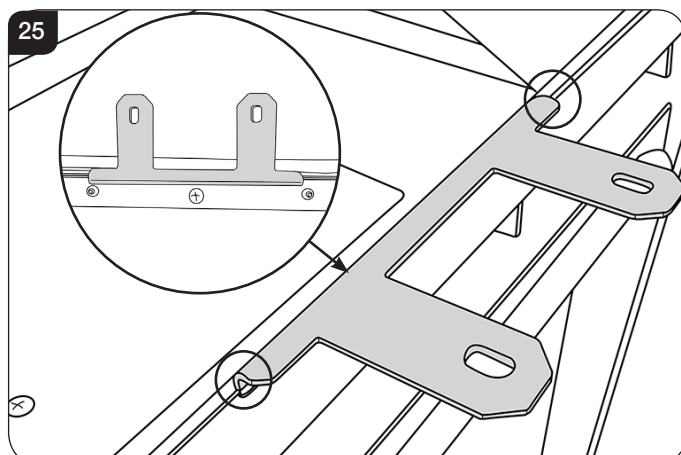


4.4 Remove the flue insert and cast top plate.

4.5 Remove the Top Box Section fixing bracket from the underside of the Top Section Box, see Diagram 24.

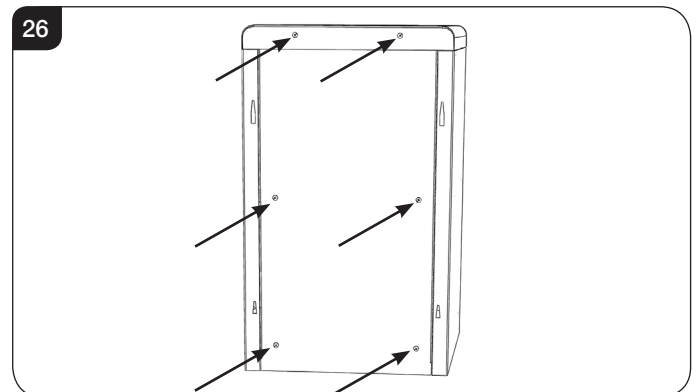


4.6 Fix bracket in the groove on the top of the appliance and secure with a screw, see Diagram 25.



All Installations

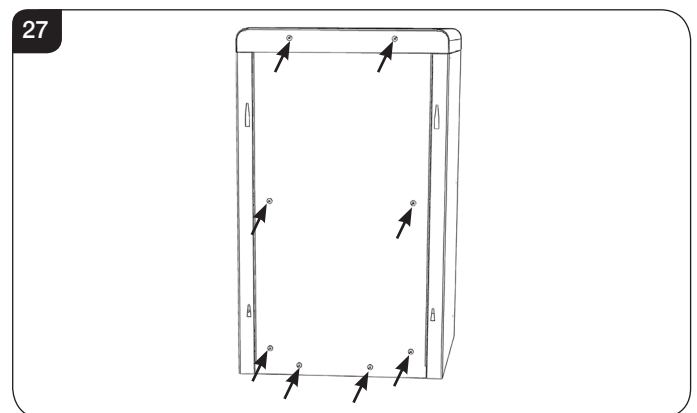
4.7 Remove the 6 screws at the rear of the Top Box Section to remove the back panel, see Diagram 26.



4.8 Lift the Top Box Section onto the appliance, ensuring the sides are flush with the back of the appliance.

4.9 Secure at the front of the fire by with 2 screws up through the fixing bracket and into the Top Box Section.

4.10 Replace the back panel of the Top Box, secure with 6 screws previously removed and 2 screws through the fixing holes at the back of the appliance which were used for the cast top, see Diagram 27.



Top Exit only

4.11 Fit the decorative flue collar.

Rear Exit only

4.12 The spigot should be fitted to the rear of the appliance.

Installation Instructions

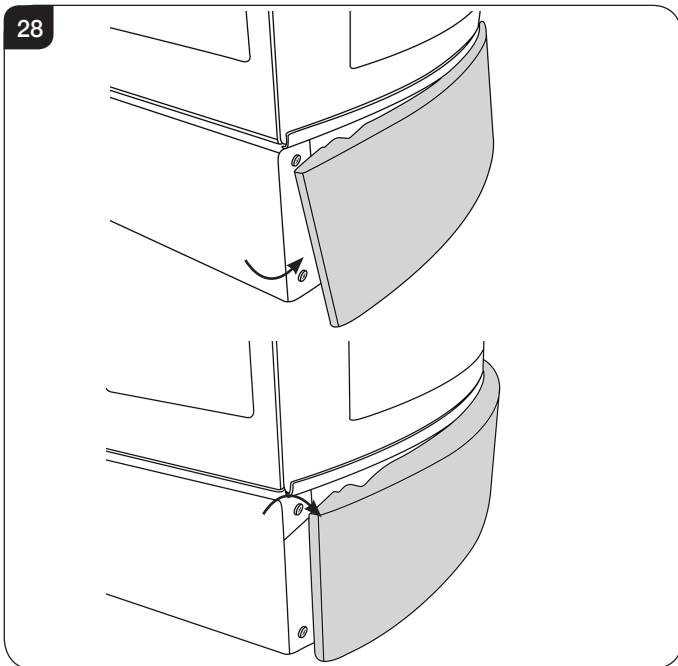
5. Removing the Glass Door



IMPORTANT: THE OUTER PANNELLING OF THE GAZCO LOFT IS MADE FROM CAST IRON. USE CAUTION WHEN INSTALLING, REMOVING AND STORING AS THE COMPONENTS ARE HEAVY AND SHOULD BE HANDLED CAREFULLY.

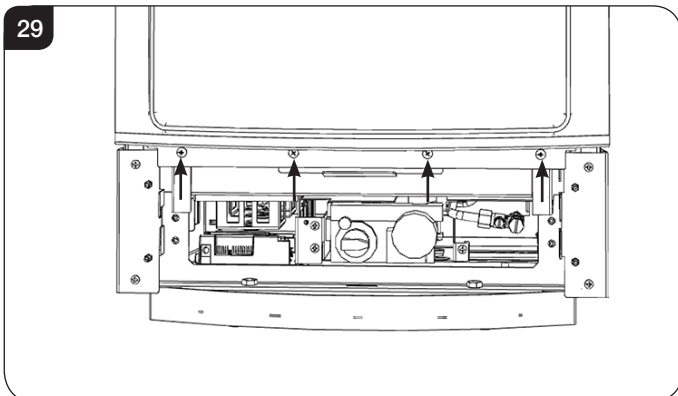
5.1 Remove the plinth to access the controls:

1. Pull the lower section of the plinth forward to release from the studs.
2. Lift the top section and tilt forward to clear the hooks and slots on the front of the appliance, see Diagram 28.



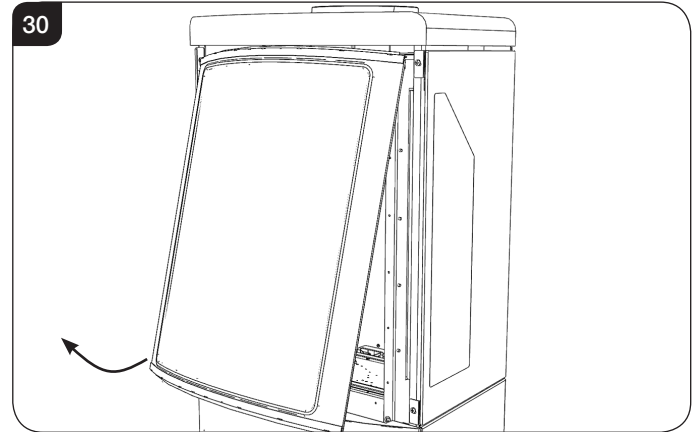
The glass door will need to be removed to gain access to the fuel effect.

5.2 Remove the 4 screws, see Diagram 29.



5.3 Lift the glass door slightly and angle the bottom away from the appliance. Lower the glass door to disengage the top hooks from the appliance, see Diagram 30.

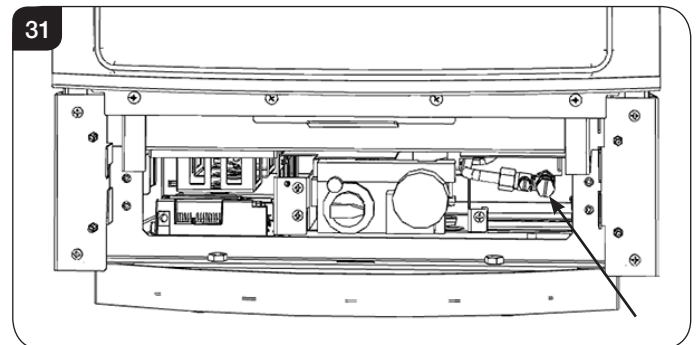
NOTE: SUPPORT DOOR WHEN REMOVING.



6. Gas Soundness Pressure Check

This is essential to expel any debris that may block the gas controls.

6.1 Connect the gas to the 8mm elbow on the rear of the appliance, see Diagram 31.

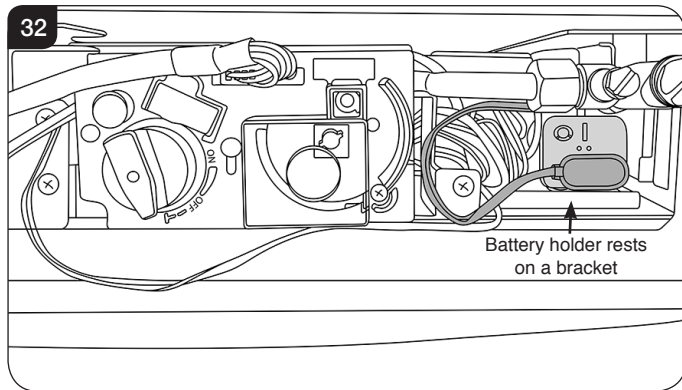


6.2 Connect a suitable pressure gauge to the test point located on the inlet fitting and turn the gas supply on. Light the appliance and check all gas joints for possible leaks. Turn the appliance to maximum and check that the supply pressure is as stated on the databadge. Turn the gas off and replace the test point screw, turn the gas on and check the test point for leaks.

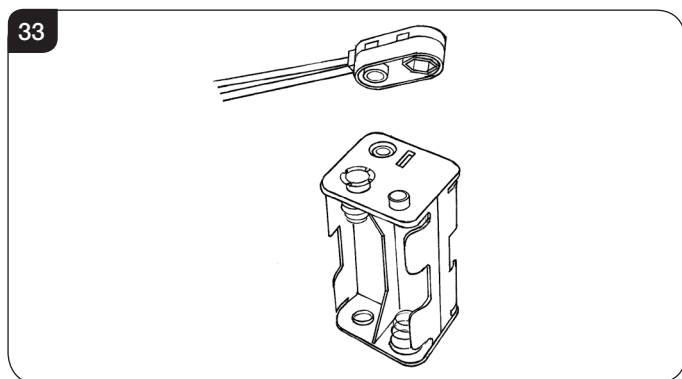
Installation Instructions

7. Battery Installation

- 7.1 The appliance batteries are located on a bracket located behind the lower plinth, see Diagram 32. To remove the plinth see Section 5.



- 7.2 Unclip the battery holder from the connector.
7.3 Correctly position the 4 new AA size batteries into the battery holder. Re-assemble the battery holder as shown in Diagram 33.



- 7.4 Replace the battery holder.

i It is essential to use high quality batteries (Duracell or equivalent) when replacing batteries in the handset or control box.

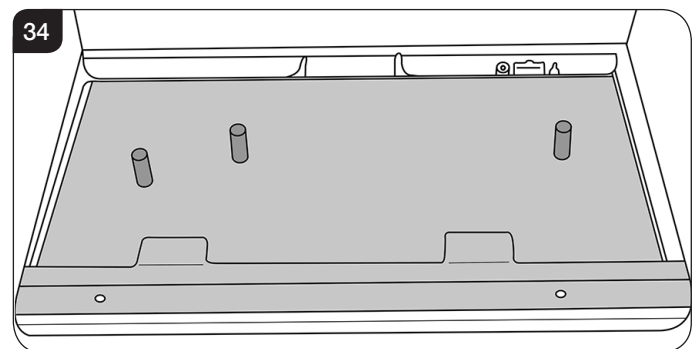
! PLEASE ENSURE NO WIRES ARE TRAPPED BEFORE REPLACING THE PLINTH. THE LEAD IS EASILY DAMAGED.

8. Log Layout

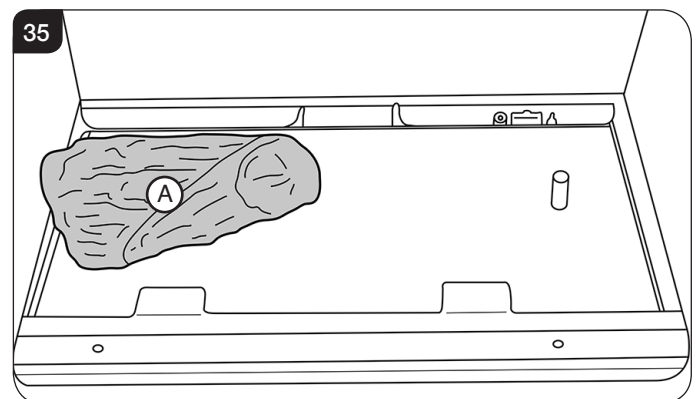
LOGS MUST BE POSITIONED ACCORDING TO THE FOLLOWING INSTRUCTIONS TO GIVE THE CORRECT FLAME EFFECT.

All logs can be identified by a letter (A - D) on their underside. Logs A and B have holes to locate each onto a burner stud.

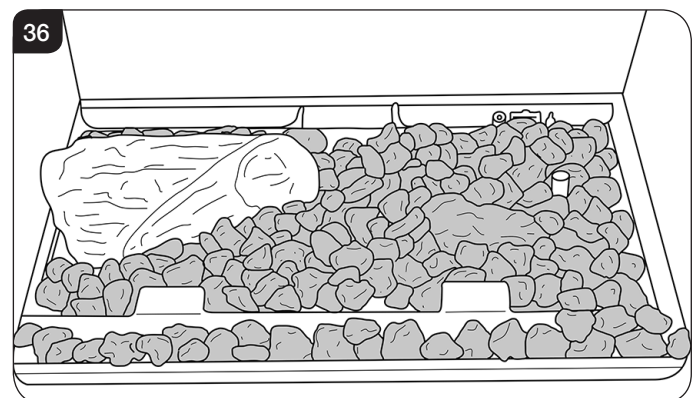
- 8.1 Ensure the burner tray is clean and free from any debris, see Diagram 34.



- 8.2 Place Log A in position on the 2 locating pins, see Diagram 35.

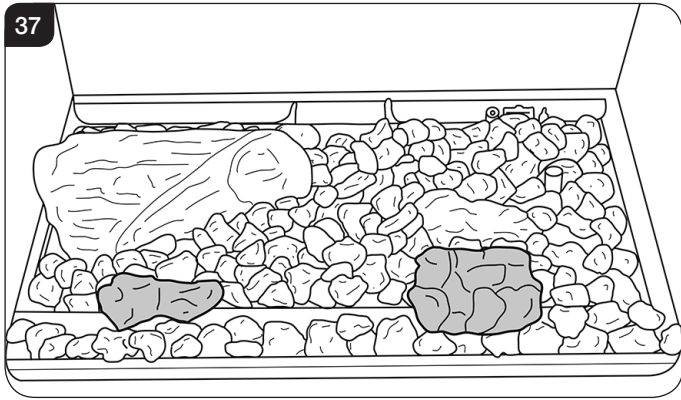


- 8.3 Spread the Lava Rock evenly over the fuel bed and around Log A, see Diagram 36.

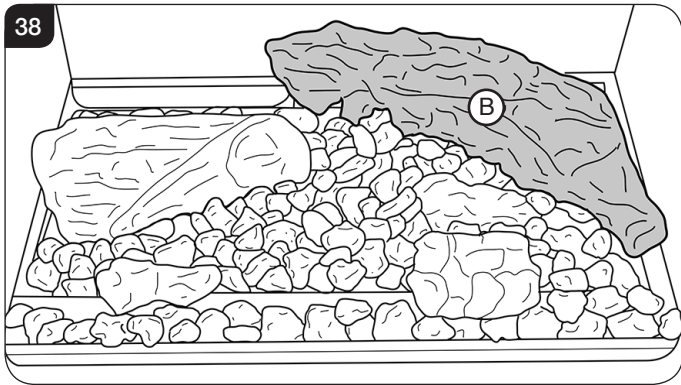


Installation Instructions

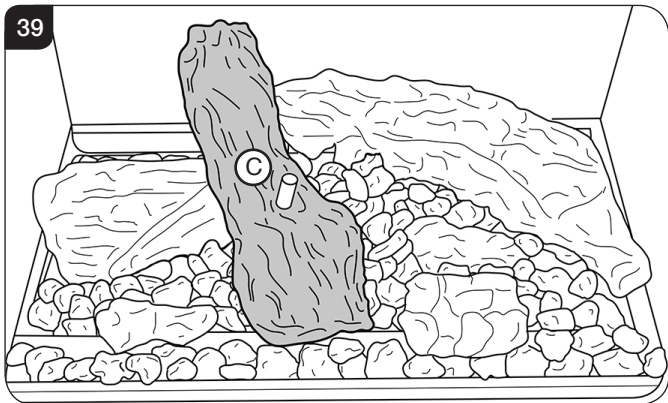
8.4 Position the 2 embers on the lip at the front of the fuel bed, see Diagram 37.



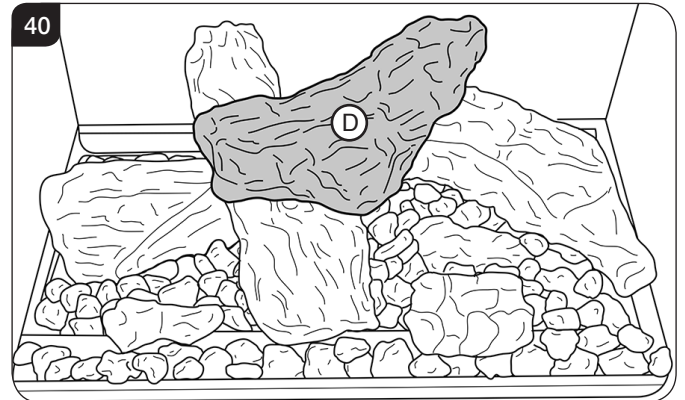
8.5 Log B is positioned on the right hand locating pin, and rests against the back liner, see Diagram 38.



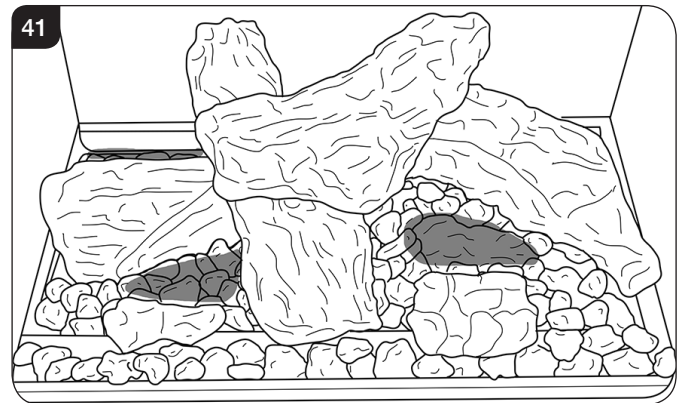
8.6 Log C rests on Log A and the front tray with the locating pin facing up, see Diagram 39.



8.7 Log D fits onto the locating pin and rests on Log B, see Diagram 40.



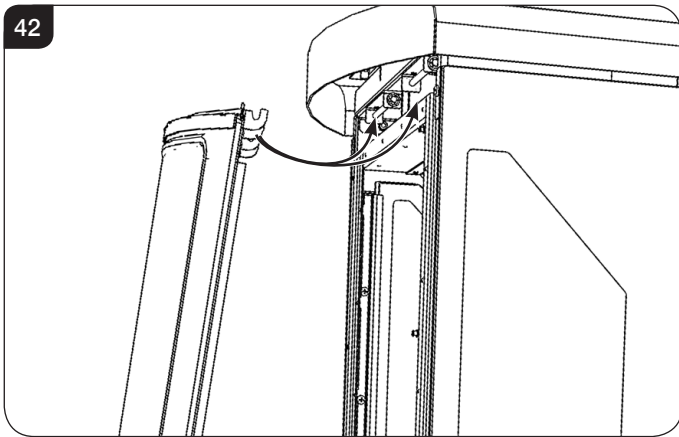
8.8 Sprinkle an amount of the Embaglow fibres provided on the sections highlighted, see Diagram 41. Take care not to use more than half a packet per application.



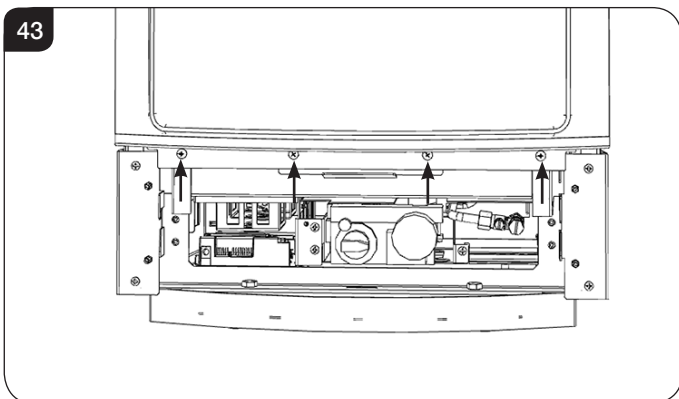
Installation Instructions

9. Completion of Assembly

- 9.1 Angle the top of the glass door towards the appliance and locate the top hooks into the bars of the appliance, see Diagram 42.



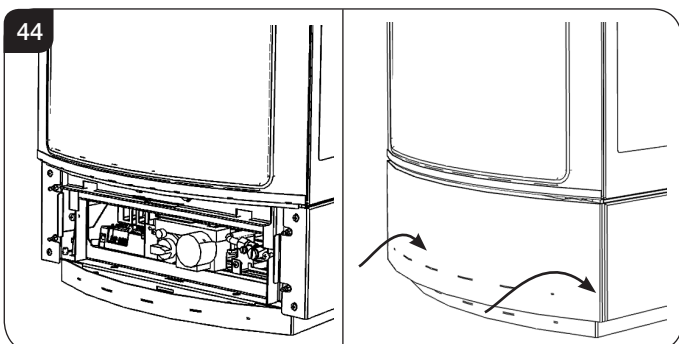
- 9.2 Push the base of the glass door against the appliance and lower.
- 9.3 Secure the base of the glass door with the 4 screws previously removed, see Diagram 43.



- 9.4 Replace ALL of the securing screws, ensuring that a screw is present in all fixing slots.

! UNDER NO CIRCUMSTANCES SHOULD THE APPLIANCE BE USED IF ANY OF THE GLASS FRAME RETAINING SCREWS ARE LOOSE OR MISSING.

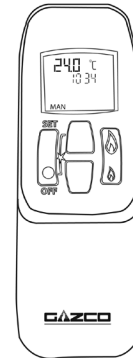
- 9.5 Fit the cast access panel by locating the hooks on the pins on the front of the appliance, see Diagram 44.



10. Lighting the Appliance

The appliance is operated by thermostatic remote control.

45



This remote controls the appliance from pilot ignition through to shut down.

In 'MANUAL MODE' you can:

- light the pilot
- turn on the main burner
- regulate the flame from low to high and back
- turn off the burner leaving just the pilot burning

In 'TEMP MODE' you can:

- set the room temperature so the stove automatically maintains that temperature

In 'TIMER MODE' the appliance:

- turns on and off according to the set time periods
- automatically regulates the room temperature during the set periods

10.1 Turning the appliance On

Your remote can control the gas appliance from pilot ignition through to shut down.

To turn the appliance on press the OFF button and the UP button simultaneously. You hear several short signals. **The pilot and main burner ignite and the remote is now in Manual Mode:**

Turning the appliance Off:

Press the OFF button to turn the appliance off. **FOR SAFETY, YOU MUST WAIT 30 SECONDS BEFORE LIGHTING THE APPLIANCE AGAIN.**

i IMPORTANT: YELLOW FLAMES TYPICALLY APPEAR WHEN THE APPLIANCE HAS REACHED NORMAL OPERATING TEMPERATURE. THIS CAN TAKE UP TO 30 MINUTES.

! WARNING: IF THE APPLIANCE FAILS TO LIGHT OR BECOMES EXTINGUISHED IN USE, WAIT 3 MINUTES BEFORE ATTEMPTING TO RELIGHT.

FOR FULL OPERATING INSTRUCTIONS AND TROUBLESHOOTING SEE USER SECTION.

Troubleshooting



IMPORTANT: In the unlikely event that the handset fails to communicate correctly with the appliance it may be necessary to turn off the gas supply at the isolation valve until any problems can be resolved.

The gas meter and isolation valve can be located outside in a meter box, under the stairs, beneath the kitchen sink or in the garage. Whilst this list is not exhaustive, it is important to be able to identify the location of the valve in case of any gas emergency.

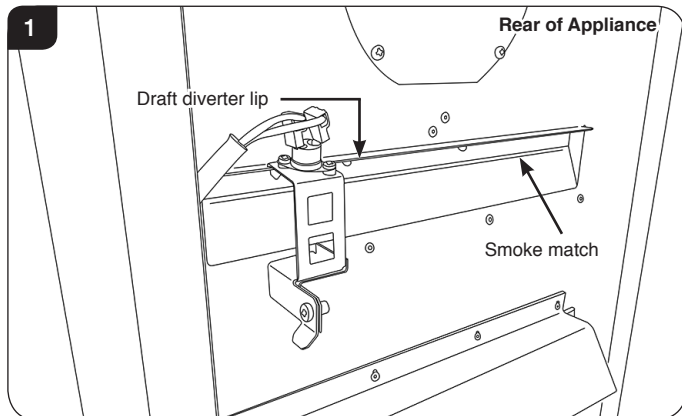
To turn off the gas supply, simply turn the handle so the lever is at 90 degrees to the upright gas pipe.

If you smell gas, open doors and windows and never operate any electrical switches. Immediately call the Gas Emergency Services on 0800 111 999.

Commissioning

1. Commissioning

- 1.1 Close all doors and windows in the room.
- 1.2 Ignite the appliance and operate on maximum for 10 minutes.
- 1.3 Position a lighted smoke match just inside the draught diverter opening at the rear of the appliance.
- 1.4 Check all smoke is drawn into the opening, see Diagram 1.



- 1.5 If there is any doubt, run the appliance for a further 10 minutes, and repeat the test.
- 1.6 If there are any extractor fans in adjacent rooms, the test must be repeated with the fans running on maximum and interconnecting doors open.

IF SPILLAGE PERSISTS, DISCONNECT THE APPLIANCE AND SEEK EXPERT ADVICE.

- 1.7 Complete the Commissioning Checklist at the front of this manual covering:
 - Thermocouple soundness checks.
This is to include ensuring the thermocouple is secure on the pilot bracket assembly, lead connection and integrity.
 - Flue checks
 - Gas checks
 - Log layout - flame picture
- 1.8 Upon completion of the commissioning and testing of the installation and correct operation of the appliance, the installer must instruct the user how to operate the appliance.
- 1.9 Guide the user through the User Instructions paying particular attention to:
 - a) Regular servicing (Section 9 of the User Instructions).
 - b) Ventilation (Section 10 of the User Instructions) - point out the ventilation positions where applicable.
 - c) Hot surfaces (Section 12 of the User Instructions).

Servicing Instructions

Servicing/Fault Finding Charts

1. Servicing Requirements

IMPORTANT – The glass panel on this appliance should be checked for any signs of damage on the front face of the glass panel (scratches, scores, cracks or other surface defects). If damage is observed, the glass panel must be replaced and the appliance must not be used until a replacement is installed. Under no circumstances should the appliance be used if any damage is observed. Please isolate the appliance until a replacement glass panel has been obtained and installed. Replacement glass panels can be purchased from Gazco via the retailer from which the appliance was purchased or any other Gazco distributor.

This appliance must be serviced at least once a year by a competent person.

All tests must be carried out in accordance with the current GasSafe recommendations.

1.1 Before Testing:

- Conduct a gas soundness test for the property ensuring there are no leaks before servicing.
- Check the operation of the appliance before testing.

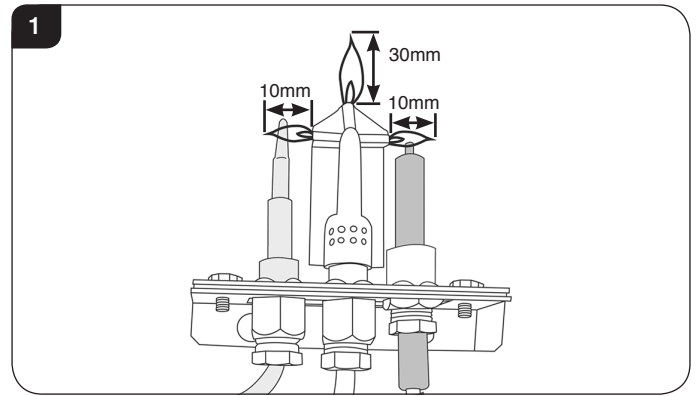
1.2 Special checks:

- Clean the burner using a vacuum cleaner with a soft brush attachment. Ensure all debris is removed from the burner ports.
- Clean away lint or fluff from the pilot.
- Clean away lint or fluff from under the burner.
- Check the spark gap on the pilot is correct, see Diagram 1.
- Ensure that the glass frame is secured correctly and that all retaining screws are in place.

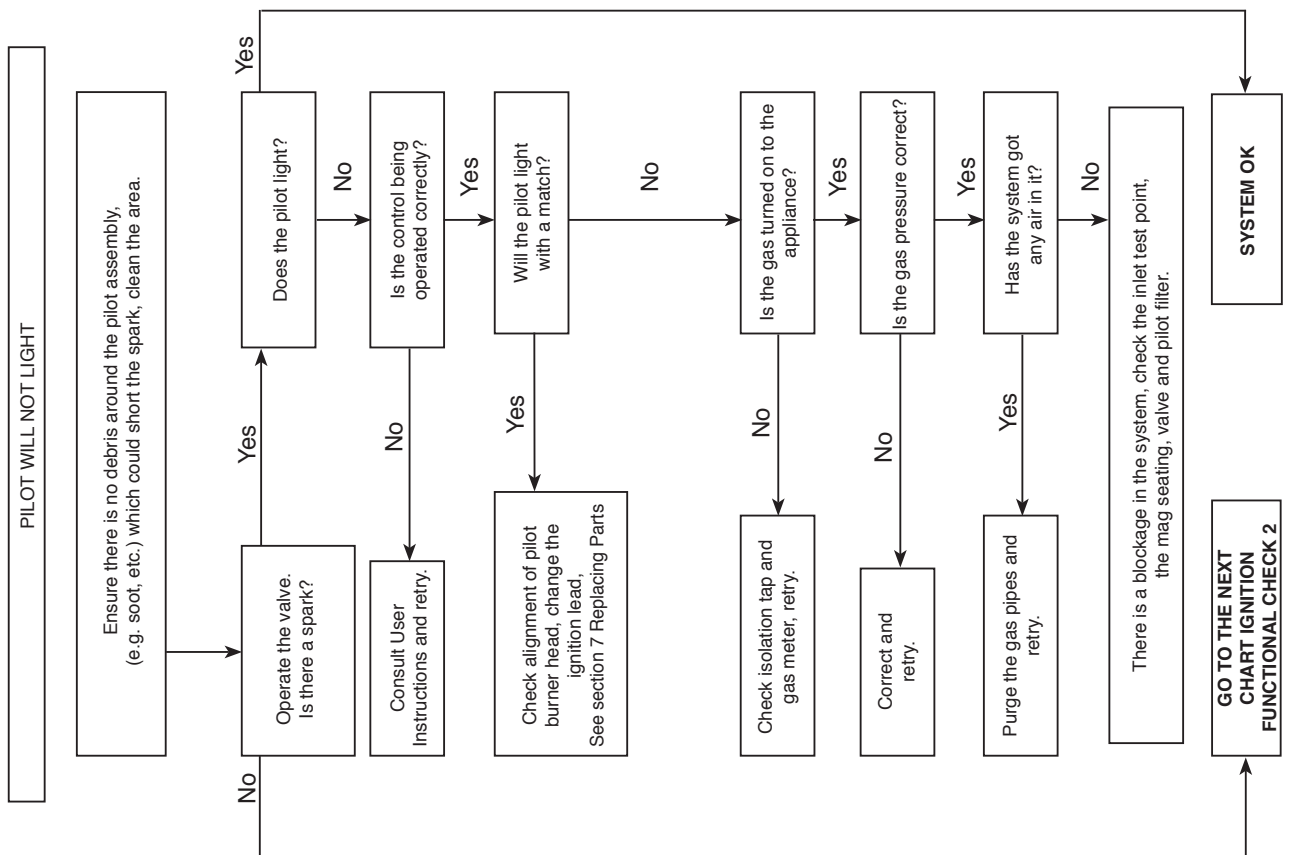
1.3 Correct any faults found during the initial test.

1.4 Re-commission the appliance in accordance with Commissioning Procedures.

1.5 Advise the customer of any remedial work undertaken.



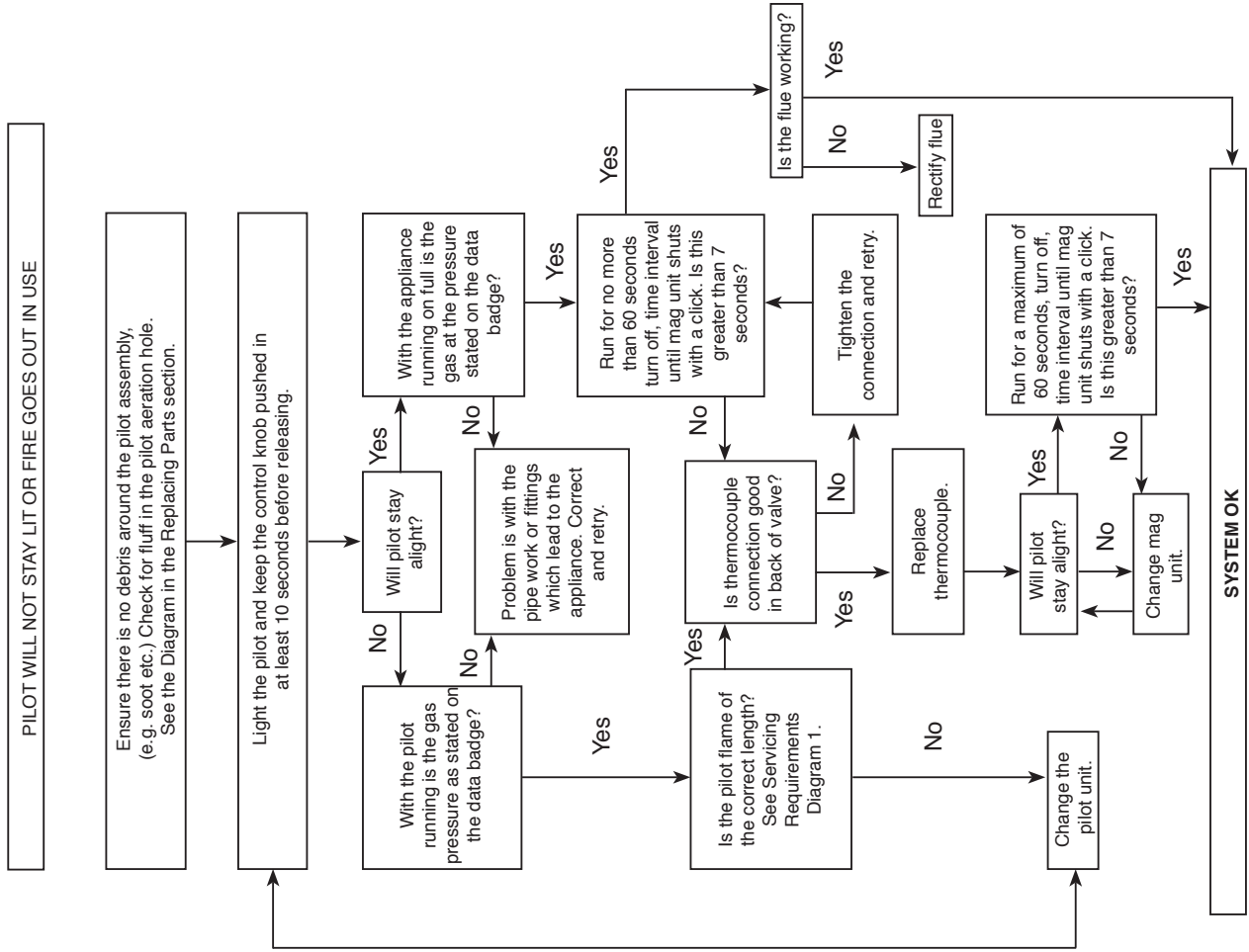
IGNITION FUNCTIONAL CHECK 1



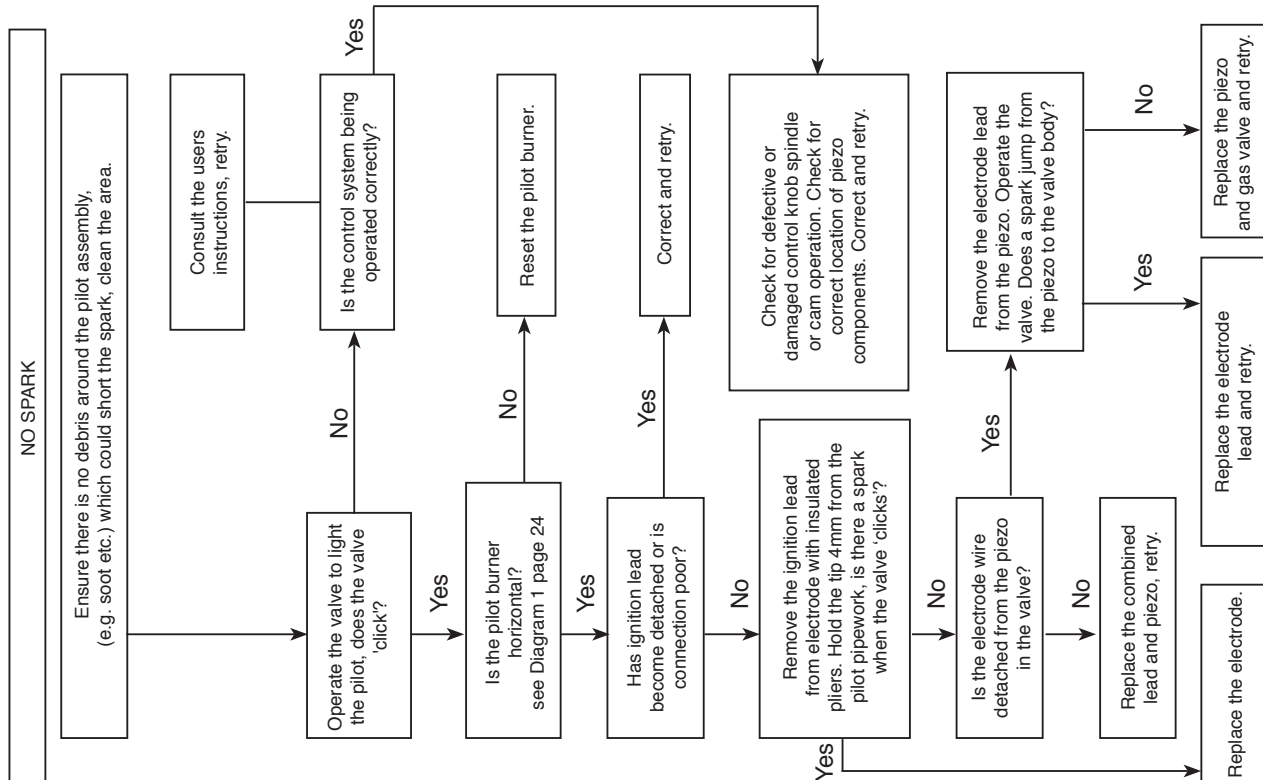
Servicing Instructions

Fault Finding Charts

FLAME FAILURE FUNCTIONAL CHECK 3



IGNITION FUNCTIONAL CHECK 2



Servicing Instructions - Replacing Parts

1. General

- 1.1 All main components can be replaced without removing the appliance from its installation.

IT IS ESSENTIAL THAT THE GAS SUPPLY TO THE APPLIANCE IS TURNED OFF AT THE ISOLATION DEVICE BEFORE PROCEEDING FURTHER.

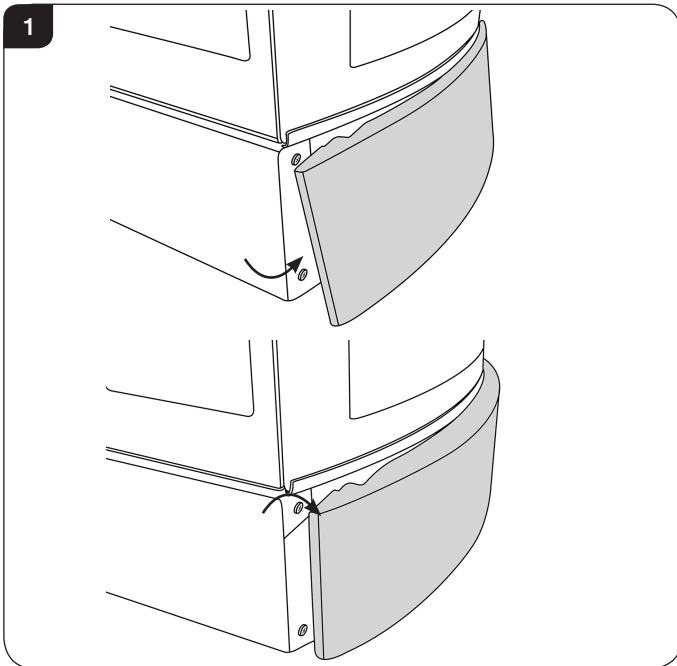
- 1.2 **Removal of Flue**
If, for any reason, the flue has to be removed from the appliance, the seal must be replaced in the inner spigot.

2. Removing the Glass Door

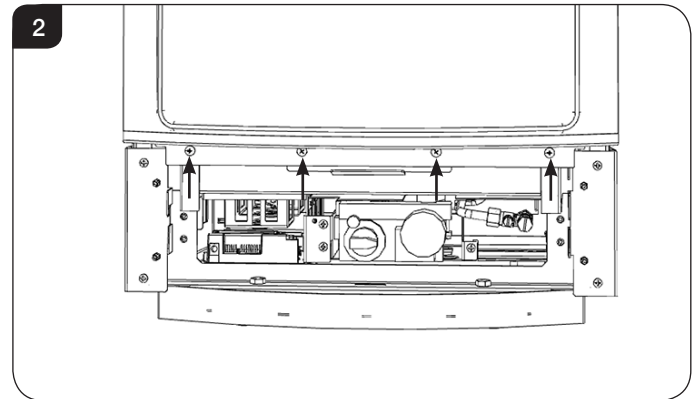


IMPORTANT: THE OUTER PANNELLING OF THE GAZCO LOFT IS MADE FROM CAST IRON. USE CAUTION WHEN INSTALLING, REMOVING AND STORING AS THE COMPONENTS ARE HEAVY AND SHOULD BE HANDLED CAREFULLY.

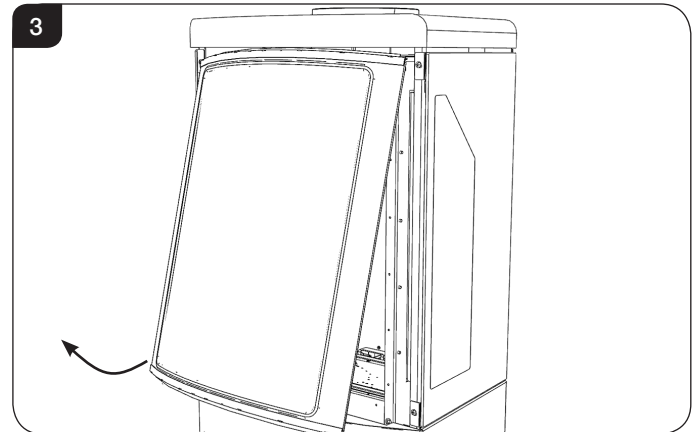
- 2.1 Remove the plinth to access the controls:
1. Pull the lower section of the plinth forward to release from the studs.
 2. Lift the top section and tilt forward to clear the hooks and slots on the front of the appliance, see Diagram 1.



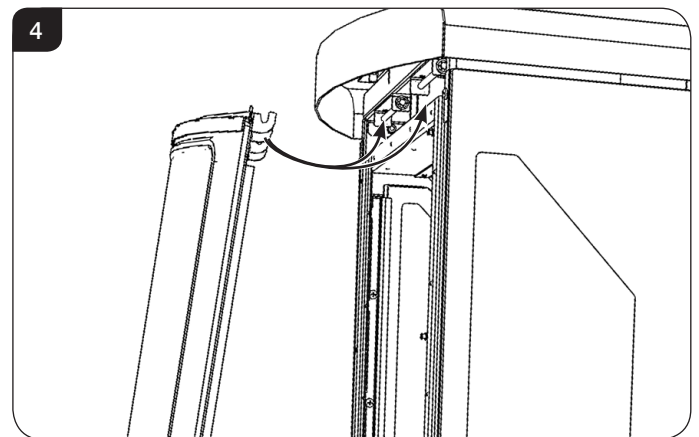
- 2.2 Remove the 4 screws, see Diagram 2.



- 2.3 Lift the glass door slightly and angle the bottom away from the appliance. Lower the glass door to disengage the top hooks from the appliance, see Diagram 3.
NOTE: SUPPORT DOOR WHEN REMOVING.



- 2.4 Place carefully to one side.
- 2.5 The glass door must be refitted to the appliance following cleaning or servicing.
- 2.6 Angle the top of the glass door towards the appliance and locate the top hooks into the bars of the appliance, see Diagram 4.



- 2.7 Push the base of the glass door against the appliance and lower.

Servicing Instructions - Replacing Parts

- 2.8 Secure the base of the glass door with the 4 screws previously removed, see Diagram 2.
- 2.9 Replace ALL of the securing screws, ensuring that a screw is present in all fixing slots.



UNDER NO CIRCUMSTANCES SHOULD THE APPLIANCE BE USED IF ANY OF THE GLASS FRAME RETAINING SCREWS ARE LOOSE OR MISSING.

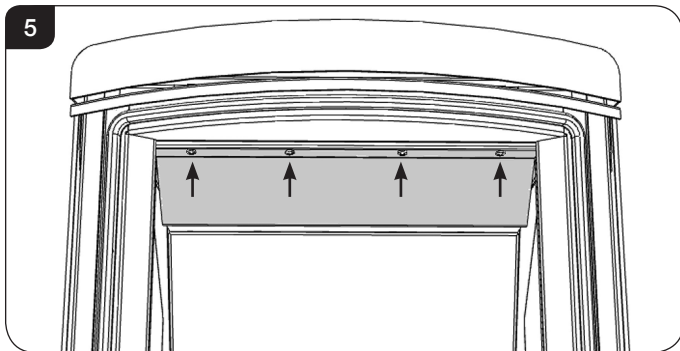
3. Baffle & Liners

To access the burner tray and interior workings of the appliance it may be necessary to remove the baffle and the liners.

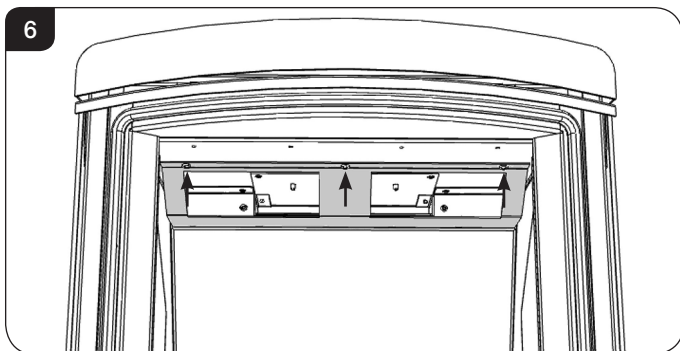
BAFFLE

- 3.1 The baffle consists of 2 parts, the Main Baffle and the Rear Baffle.

To remove the Main baffle, undo the 4 screws, and manoeuvre through the firebox, see Diagram 5.

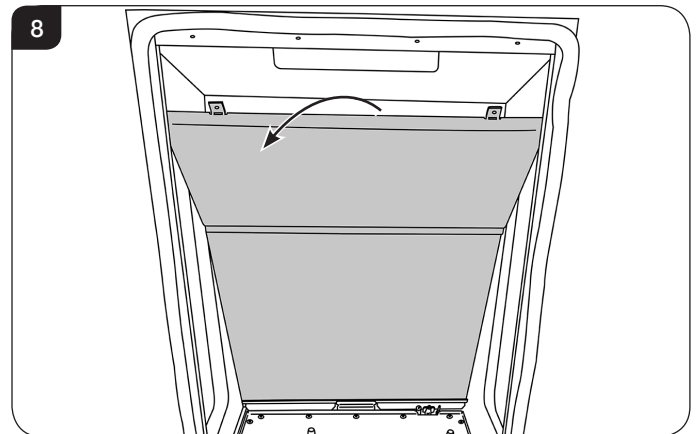
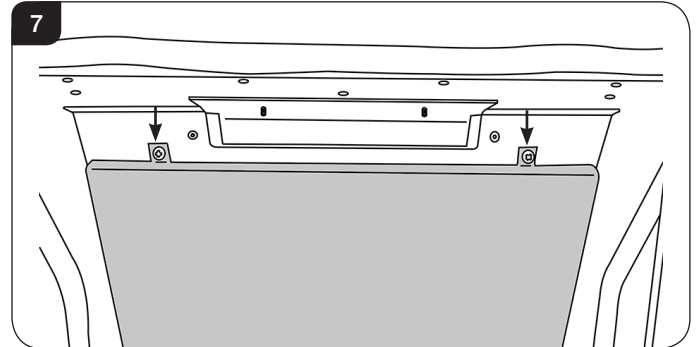


- 3.2 To remove the Rear baffle, undo the 3 screws, see Diagram 6.



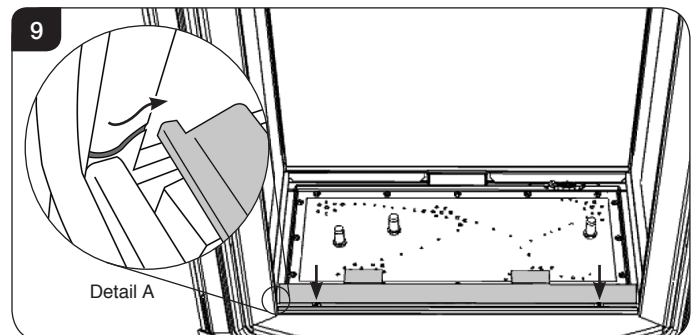
REAR PANEL & TRIMS

- 3.3 The rear panel is in one piece. Undo the 2 screws and lean forward to remove. Support the Black Glass Liner.



To make removal of the rear panel easier, it may be necessary to remove the burner tray, see Section 4.

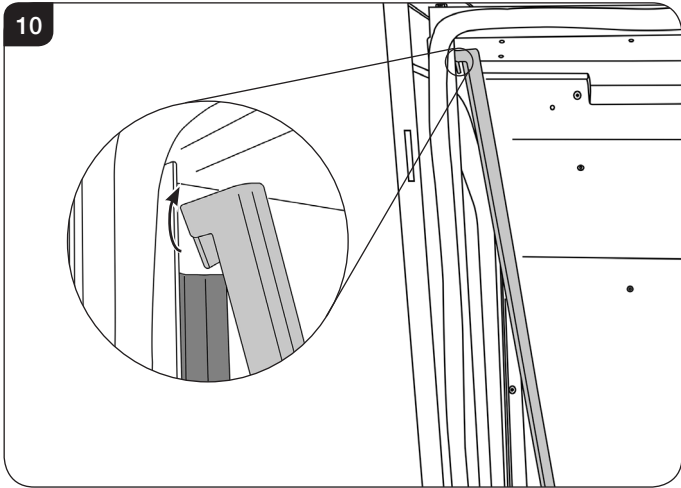
- 3.4 To remove the fuel bed trim undo the 2 screws and slide out of the locating slot in the side trims, see Diagram 9, Detail A.



Servicing Instructions - Replacing Parts

3.5 To remove the side trim lift and hook off the firebox, see Diagram 10.

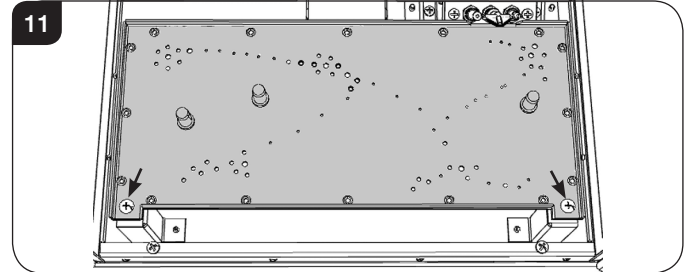
i **NOTE: The Side Trims only need to be removed if damaged or the side glass needs replacing.**



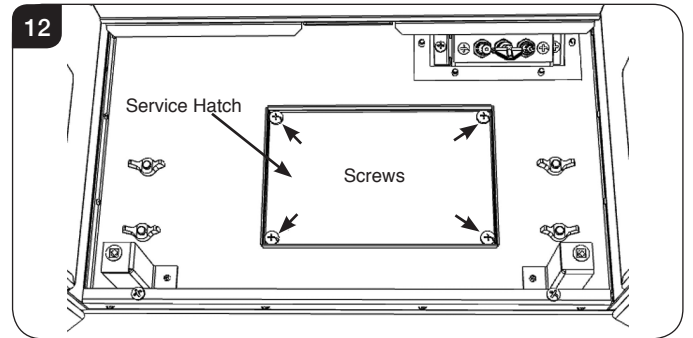
4. Main Burner

To replace the main burner:

4.1 Remove the 2 securing screws at the front of the burner, see Diagram 11.

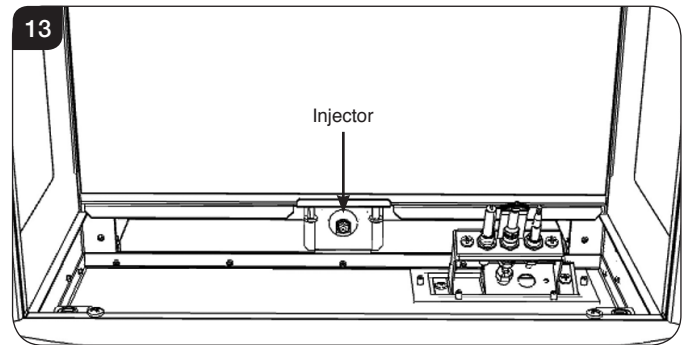


4.2 Lift the burner out of the firebox at an angle clear the brackets, exposing the service hatch, see Diagram 12.



4.3 Refit in reverse order.

Important: Ensure the burner engages with the injector at the base of the firebox, see Diagram 13.



Servicing Instructions - Replacing Parts

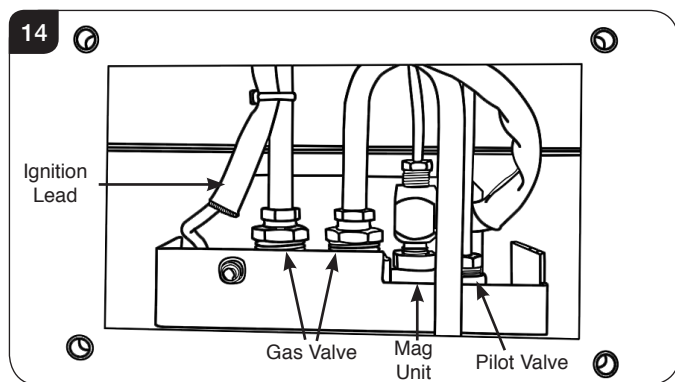
5. Control Assembly & Service Hatch

- 5.1 It is not necessary to remove the complete control assembly to service or replace parts of this appliance. The following sections will detail how to individually remove and replace each element.
- 5.2 The Loft has a servicing hatch to allow access to the gas valve and control assembly in the base of the firebox.

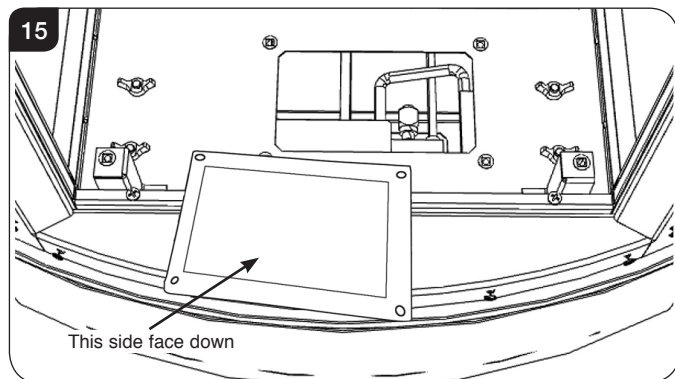
Remove the 4 screws holding the service hatch, see Diagram 12.

Remove the panel.

- 5.3 This will allow access to the rear of the valve, see Diagram 14.



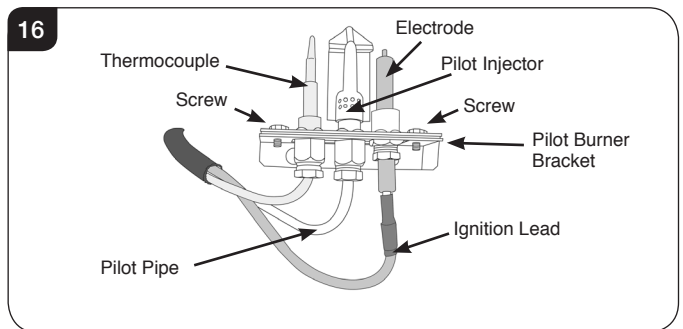
- 5.4 Reposition the service hatch and tighten the 4 screws, see Diagram 15.



6. Pilot Unit

The pilot assembly consists of 4 components which can be individually changed:

- 6a) Pilot burner bracket.
- 6b) Electrode.
- 6c) Pilot injector.
- 6d) Thermocouple.



NOTE: Ensure the sealant surrounding the Electrode and Thermocouple leads is replaced if disturbed or removed whilst gaining access to these components.



IMPORTANT: UNDER THE TERMS OF THE EXTENDED WARRANTY IT WILL BE COMPULSORY TO CHANGE THE COMPLETE PILOT UNIT ON THIS APPLIANCE IN YEARS 2 AND 4.

- 6.1 Turn the gas supply off at the isolation device, remove the door and place to one side, carefully remove the ceramic fuel bed components.

6a. Pilot Burner Bracket

To remove the Pilot Burner Bracket:

- 6.2 **First remove the electrode, pilot pipe and thermocouple as described in the following sections.**
- 6.3 Remove the 2 screws securing the bracket. The pilot burner bracket can now be removed.
- 6.4 Replace in reverse order.

6b. Electrode

- 6.5 Pull the ignition lead off the electrode and undo the retaining nut, see Diagram 16.
- 6.6 Replace with a new electrode. Do not over-tighten the nut; this could break the component.
- 6.7 Replace the ignition lead by pushing the spade connector onto the terminal (electrode).

Servicing Instructions - Replacing Parts

6c. Pilot Injector

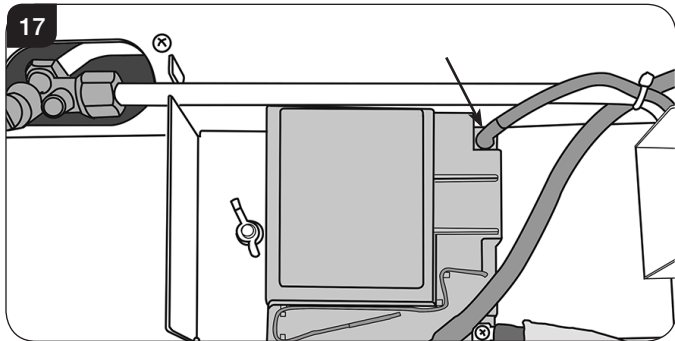
- 6.8 Undo the pilot pipe from the gas valve and from the underside of the pilot burner, see Diagram 16.
- 6.9 Remove the pipe and the injector drops out from the burner.

6d. Thermocouple

- 6.10 Disconnect the thermocouple from the gas valve.
- 6.11 Undo the thermocouple nut in the back of the pilot bracket half a turn. This releases the thermocouple.
- 6.12 When replacing with a new thermocouple, take care to bend the new component to the same shape as the thermocouple just removed.
- 6.13 To refit the thermocouple into the pilot bracket, ensure it is pushed fully into the hole. There is a stop on the thermocouple to set the height.
- 6.14 Lock the retaining nut just enough to grip the thermocouple.
- 6.15 Connect the thermocouple to the valve **taking care not to over-tighten.**

7. Ignition Lead

- 7.1 To replace the ignition lead:
- 7.2 Remove the ignition lead from the control box, see Diagram 17.

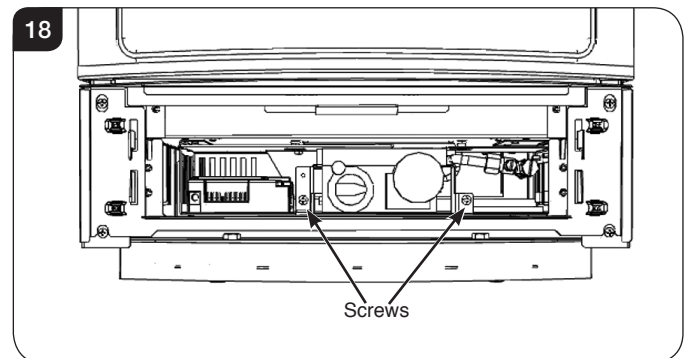


- 7.3 Remove the ignition lead from the electrode, see Diagram 17, removing cable ties where necessary.
- 7.4 **Note the direction of the lead. The new lead must follow exactly the same route. Replace cable ties where necessary.**

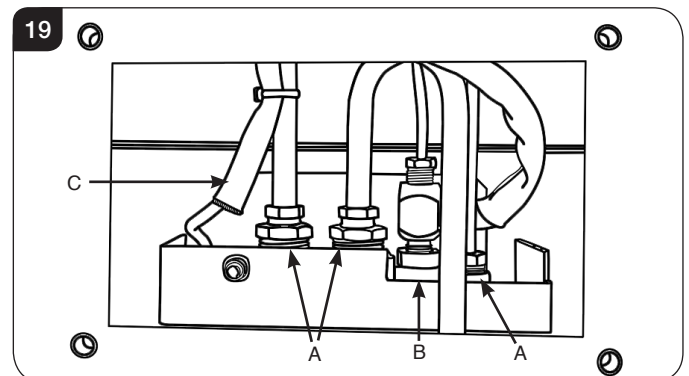
NOTE: THE IGNITION LEAD MUST NOT PASS IN FRONT OF THE CONTROL BOX AS THIS CAN DAMAGE THE SENSITIVE ELECTRONICS.

8. Gas Valve

- 8.1 To remove the valve turn off the gas supply at the isolation device.
- 8.2 Remove the main burner & service hatch, see Sections 4 & 5.
- 8.3 From inside the firebox remove the locknut from the injector, see Section 11.
- 8.4 Remove the pilot feed pipe from the pilot unit, see Section 6.
- 8.5 It is possible to remove the entire control assembly cradle by removing the four wing nuts inside the firebox:
 - Undo the nuts on the injector pipe, thermocouple, and pilot unit.
 - Undo the four four wing nuts. The cradle can now be withdrawn.
- 8.6 Alternatively it is possible to just remove the gas valve. Remove the 2 screws at the front of the valve bracket, see Diagrams 18.



- 8.7 Slide the bracket slightly to the right and pull forward to access the valve connections.
- 8.8 Disconnect the 2 x 8mm and 1 x 4mm gas pipe fittings at the back of the gas valve, see Diagram 19 (A).
- 8.9 Disconnect the thermocouple, see Diagram 19 (B).



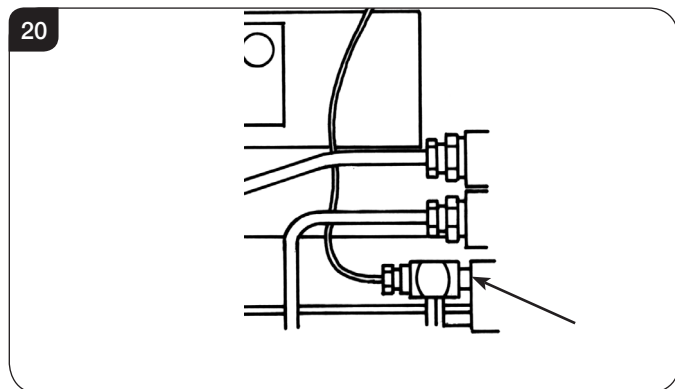
- 8.10 Disconnect the ignition lead from the gas valve, see Diagram 19 (C).
- 8.11 Remove the cover, see Section 7.3.

Servicing Instructions - Replacing Parts

- 8.12 Undo the 2 screws securing the gas valve to the appliance and remove the valve.
- 8.13 Replace in reverse order.
- 8.14 Check all joints for gas leaks and check operation of the thermocouple and ignition lead.

9. Magnetic Safety Valve

- 9.1 Turn the gas supply off at the isolation device.
- 9.2 Remove the gas valve, see Section 8.
- 9.3 Undo the magnetic valve-retaining nut from the back of the control valve, see Diagram 20.
- 9.4 Gently tap out the magnetic valve and replace with a new unit.
- 9.5 Replace the retaining nut and tighten.



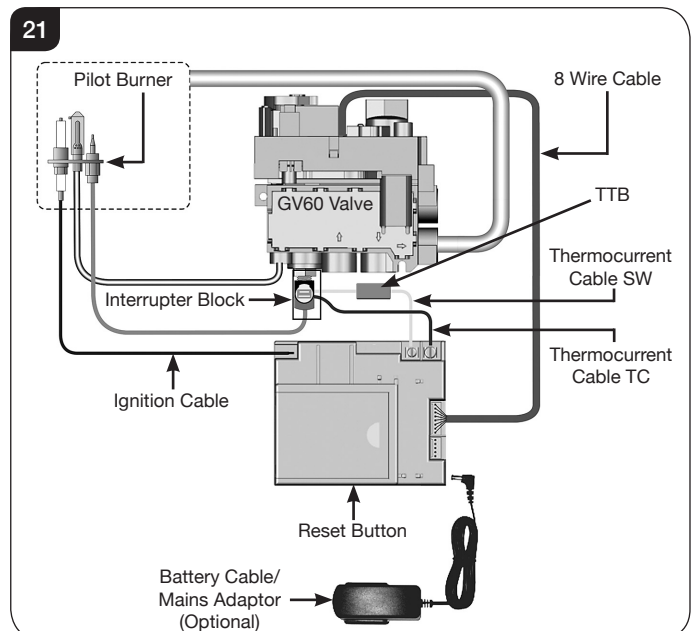
- 9.6 Reassemble the interrupter block and leads and secure the thermocouple connection in the rear of the gas control. (Do not overtighten).
- 9.7 Turn the gas supply on and check the entire pipework and valve joints for any leaks.

10. Control Box

- 10.1 To replace the control box first remove the main control assembly, See Section 7.
- 10.2 Remove the two thermocurrent cables by removing the two screws, Diagram 21.
- 10.3 Remove the ignition lead, Diagram 21.
- 10.4 Remove the eight wire loom from the control box.
- 10.5 Remove the battery extension cable, Diagram 21.

The control box can now be replaced.

When replacing the sealing plate on the rear of the control cover use a suitable silicone sealant.

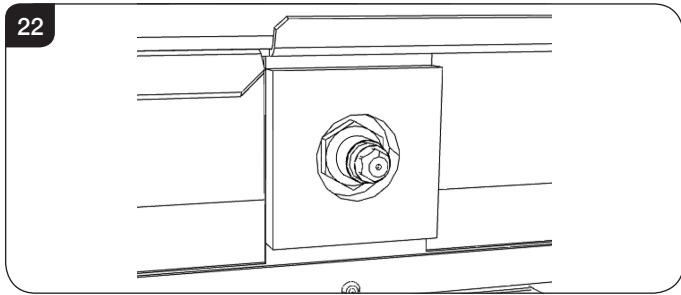


- 10.6 After replacing the control box you may need to reprogram the handset.
 - Press and hold the reset button on the control box until you hear two signals. After the second longer signal:
 - Release the reset button and within 20 seconds:
 - Press the DOWN button on the handset until you hear two additional short signals confirming the new code is set. If there is a single long signal the code learning sequence has failed or the wiring is incorrect.

Servicing Instructions - Replacing Parts

11. Main Injector

- 11.1 To remove the main injector turn off the gas supply at the isolation device.
- 11.2 Remove the main burner, see Section 4.
- 11.3 Undo the compression nuts from the feed pipe and the gas valve under the appliance.
- 11.4 Working from inside the firebox remove the lock nut from the injector, see Diagram 22.

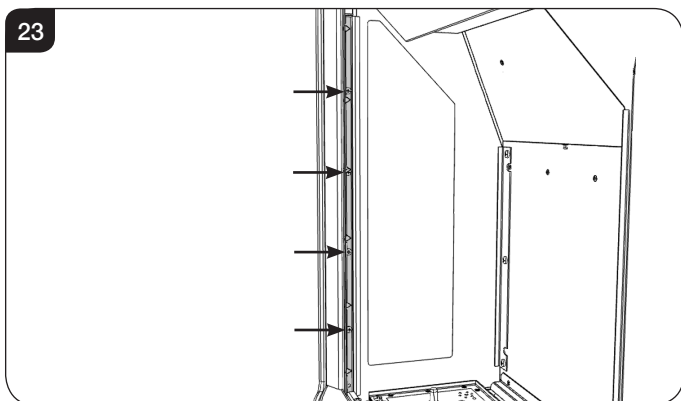


- 11.5 Extract the injector with the feed pipe from beneath the appliance.
- 11.6 Holding the injector with a spanner:
- 11.7 Undo the feed pipe. **Note the orientation of the injector.**
- 11.8 Re-assemble in reverse order.
- 11.9 Turn on the gas supply and check for leaks.

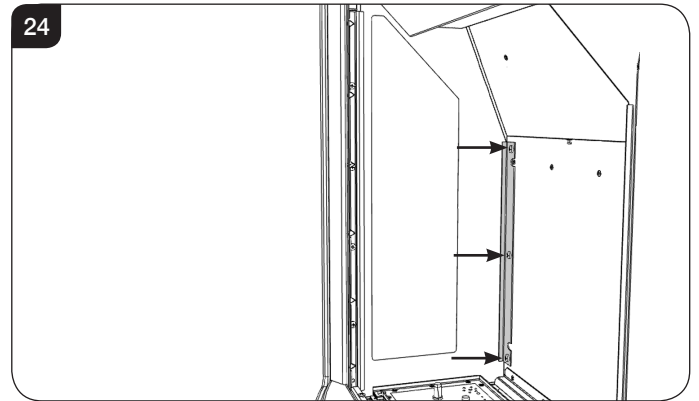
12. Glass Side Panels

To service the glass side panels, first remove the back panel and the side trims (see Section 3).

- 12.1 Undo the 4 screws securing the front bracket and remove, see Diagram 23.



- 12.2 Undo the 3 screws securing the rear bracket and remove, see Diagram 24.

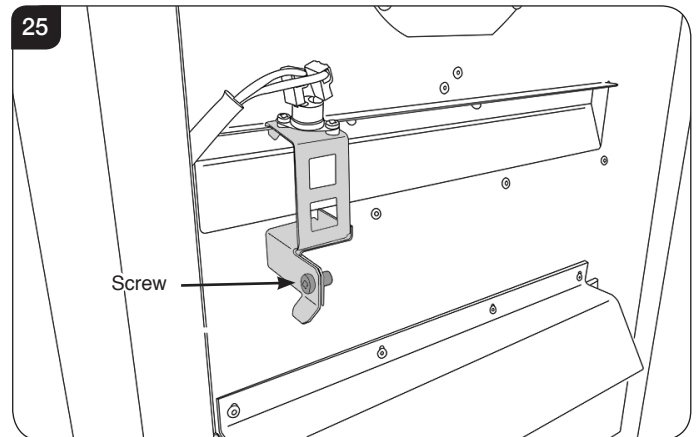


- 12.3 Replace the glass and gasket, ensuring that the printed side is facing outwards.

13. Flue Sure System

If the appliance has been installed in a restrictive location, it may be necessary to remove the appliance.

- 13.1 Locate the sensor in the draft diverter opening, and gently pull the 2 wires off the terminals.
- 13.2 From the side of the appliance remove the screw from the bracket.
- 13.3 The sensor is hooked over the lip of the draft diverter. Lift up to free the bracket.



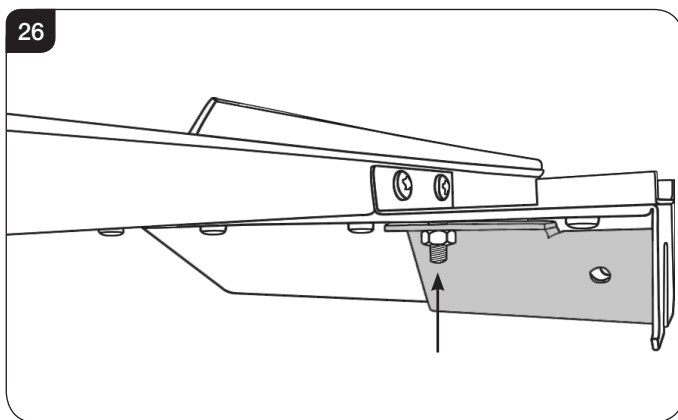
- 13.4 Refit the new sensor, ensuring that the plastic spacers are between the sensor and the bracket.
- 13.5 Replace the bracket in reverse order and fit the 2 leads.
- 13.6 If it has been necessary to remove the appliance, ensure that all disturbed gas joints are checked for gas soundness when reinstalled, and repeat the flue clearance test as detailed in the Commissioning Section.

Servicing Instructions - Replacing Parts

14. Primary Aeration Plate

**NOTE: Not all models have aeration plates.
Please refer to the Technical Specification.**

- 14.1 To replace the primary aeration plate turn off the gas supply at the isolation device.
- 14.2 Remove the burner, see Installation Instructions, Replacing Parts, Section 4.
- 14.3 Undo the 2 nuts and remove the plate.
- 14.4 Replace with the correct size plate and secure the 2 nuts. Ensure that the lower edge of the plate is located over the venturi flange, see Diagram 26.



15. Changing Between Gas Types

A kit of parts is available for this - Contact your Gazco retailer for further information.

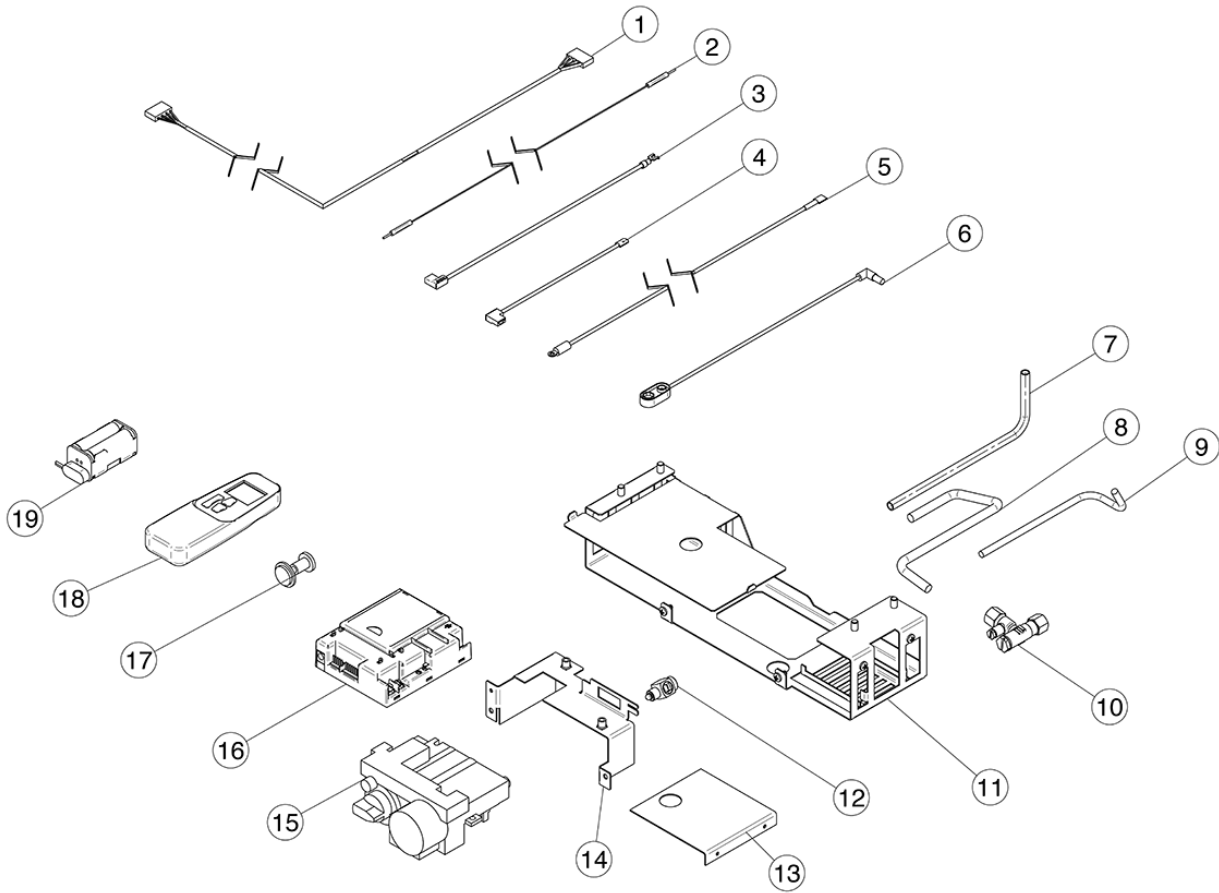
It will be necessary to change the following:

- Burner
- Injector
- Pilot Injector
- Gas Valve

Always quote the Model number and Serial number when ordering any spare parts.

Servicing Instructions - Replacing Parts

16. Spares List - Control Assembly

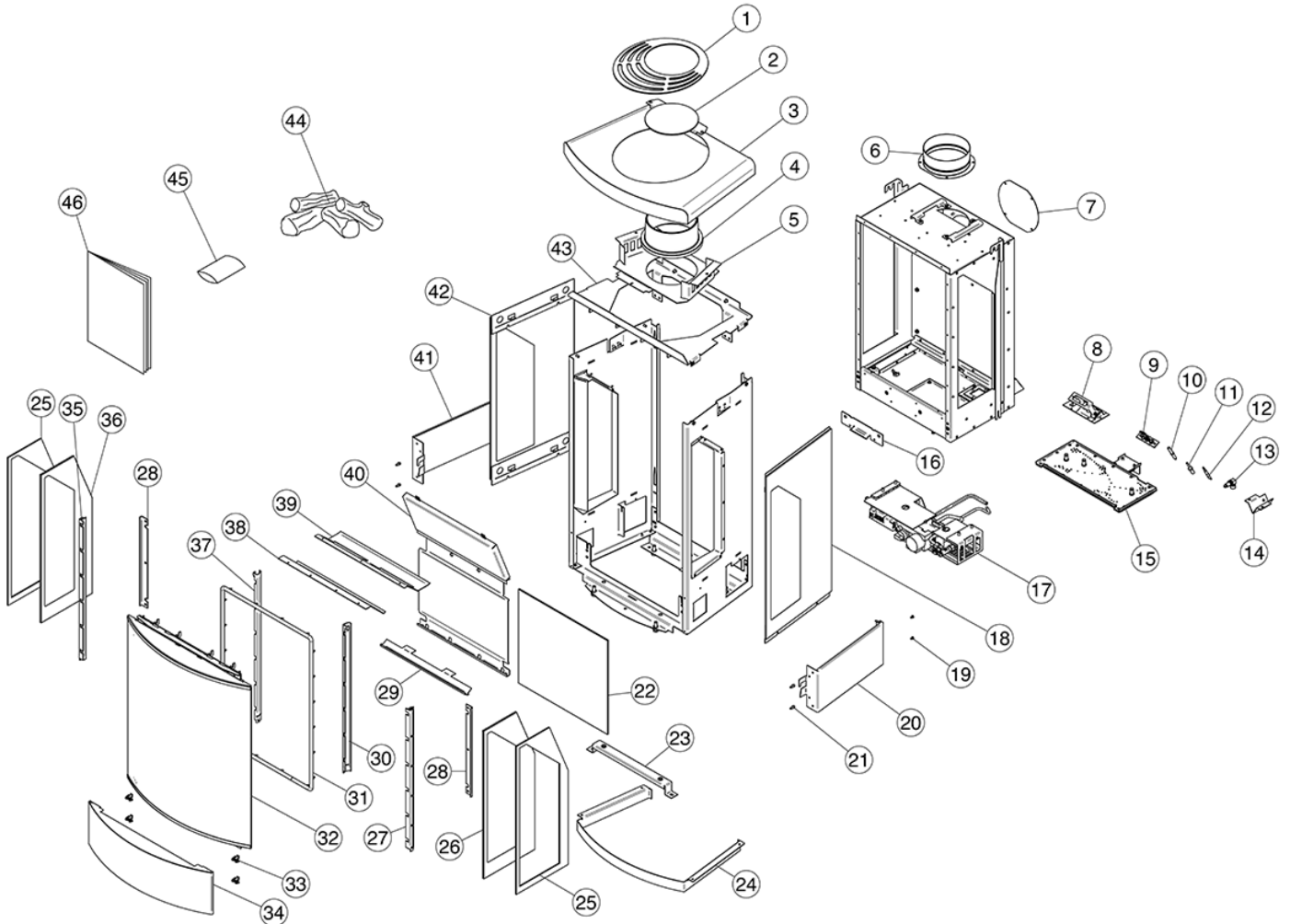


No.	Component	Part Code		Quantity
		Nat Gas	LPG	
1	Valve Cable	GC0133		1
2	Ignition Cable	GC0125		1
3	GV60 TTB Cable	EL0835		1
4	Stove limit Switch Lead	EL0670		1
5	Thermocurrent Cable	EL0590		1
6	Battery Box Cable	GC0146		1
7	8mm Injector Pipe	GZ13639		1
8	8mm Inlet Pipe	GZ14762		1
9	4mm Pilot Pipe	GZ13640		1
10	Inlet Elbow	GC0095		1
11	Control Assembly Bracket	GZ15021		1
12	Thermocouple Interruptor Block	GC0124		1
13	Receiver Heat Shield	GZ14221		1
14	Control Valve Bracket	GZ14761		1
15	Control Valve	GC0123K		1
16	Receiver	EL0589		1
17	Mag Unit	GC0166		1
18	Handset	EL0571		1
19	Battery Pack	EL0410		1

i Due to continual technical improvements please check online or with your Gazco retailer for the most up to date parts lists.
 Only use Genuine Gazco spares when servicing your appliance.
 All of our essential spare parts and consumable items are available to purchase from our webshop at www.gazcospares.com.

Servicing Instructions - Replacing Parts

16. Spares List - Loft



Due to continual technical improvements please check online or with your Gazco retailer for the most up to date parts lists.

Only use Genuine Gazco spares when servicing your appliance.

All of our essential spare parts and consumable items are available to purchase from our webshop at www.gazcospares.com.

Servicing Instructions - Replacing Parts

16. Spares List - Loft

No.	Component	Part Code		Quantity
		Natural Gas	LPG	
1	Infill Vent	GZ14561		1
2	Blanking Plate Assembly	GZ14586		1
3	Lid Assembly	GZ14304		1
4	Cast Flue Collar	CA0722A		1
5	Flue Collar & Blanking Plate Support	GZ14584		1
6	Flue Spigot	MEC0033		1
7	5" Blanking Plate	ME0608		1
8	Pilot Mounting Bracket	GZ13442		1
9	Pilot Burner	PI0069	PI0070	1
10	Electrode	PI0075		1
11	Pilot Bulkhead	FA0723		1
12	Thermocouple	PI0074		1
13	Injector	IN0023 - Size 360	IN0055 - Size 125	1
14	Aeration Cover	GZ10406	GZ11214	1
15	Burner Assembly	GZ14318	GZ14319	1
16	Door Stop	GZ14662		1
17	Engine Assembly	GZ15151N	GZ15151P	1
18	RH Glass Assembly	GZ14263		1
19	Screws (M3.5 x 6)	FA0051		4
20	RH Vanity Cover	GZ14247		1
21	Ball Stud	FA0731		4
22	Rear Black Glass Panel	CE1785		1
23	Ground Fixing Bracket	ME14339		1
24	Base Vanity Cover	GZ14252		1

No.	Component	Part Code		Quantity
		Natural Gas	LPG	
25	RH/LH Glass Side Panel Seal	CE1832		2
26	RH Screen Printed Black Glass	CE1783		1
27	Glass window Retainer - Front RH	GZ13884		1
28	Glass Window Retainer - Rear	GZ13885		2
29	Front Stone Channel	GZ13477		1
30	Vanity Trim	GZ13937		1
31	Rope Seal	FA0726		1
32	Door Assembly	GZ14262		1
33	Latch Clip	FA0732		4
34	Control Panel Cover	GZ14255		1
35	Glass Window Retainer	GZ13883		1
36	LH Screen Printed Black Glass	CE1784		1
37	Vanity Trim LH	GZ13936		1
38	Top Baffle	GZ14108		1
39	Top Air Guide	GZ14102		1
40	Rear Glass Panel Infill Assembly	GZ14101		1
41	LH Vanity Cover	GZ14248		1
42	LH Glass Assembly	GZ14264		1
43	Top	GZ14250		1
44	Log Set	CE1755		1
45	Embaglow	GZ8471		1
45	Instruction Manual	PR2479		1

Service Records

1ST SERVICE

Date of Service.....
Next Service Due
Signed
Retailer's Stamp/GasSafe Registration Number

2ND SERVICE

Date of Service.....
Next Service Due
Signed
Retailer's Stamp/GasSafe Registration Number

3RD SERVICE

Date of Service.....
Next Service Due
Signed
Retailer's Stamp/GasSafe Registration Number

4TH SERVICE

Date of Service.....
Next Service Due
Signed
Retailer's Stamp/GasSafe Registration Number

5TH SERVICE

Date of Service.....
Next Service Due
Signed
Retailer's Stamp/GasSafe Registration Number

6TH SERVICE

Date of Service.....
Next Service Due
Signed
Retailer's Stamp/GasSafe Registration Number

7TH SERVICE

Date of Service.....
Next Service Due
Signed
Retailer's Stamp/GasSafe Registration Number

8TH SERVICE

Date of Service.....
Next Due
Signed
Retailer's Stamp/GasSafe Registration Number

9TH SERVICE

Date of Service.....
Next Service Due
Signed
Retailer's Stamp/GasSafe Registration Number

10TH SERVICE

Date of Service.....
Next Service Due
Signed
Retailer's Stamp/GasSafe Registration Number

Information Requirement - Gas Heaters

Information Requirement for Gaseous Fuel Local Space Heater

Model		Loft 3 Sided Nat Gas	Loft 3 Sided LPG
Fuel	Space Heating Emissions (NOx) - mg / kWh _{input} (GCV)	130	130
Heat Output	Nominal Heat Output - P_{nom}	4.4kW	4.2kW
	Minimum Heat Output (indicative) - P_{min}	2.1kW	2.0kW
Auxiliary Electricity Consumption	At Nominal Heat Output - e_{lmax}	N/A	N/A
	At Minimum Heat Output - e_{lmin}	N/A	N/A
	In Standby Mode - $e_{l_{sb}}$	N/A	N/A
Useful Efficiency (NCV)	Useful Efficiency at nominal heat output - $\eta_{th,nom}$	78%	78%
	Useful Efficiency at minimum heat output (indicative) - $\eta_{th,min}$	66%	66%
Permanent Pilot Flame Power requirement	Permanent Pilot Flame Power requirement (if applicable) - P_{pilot}	0.200kW	0.200kW
Type of heat output/room temperature control			
Electronic room temperature control + day timer		Yes	Yes
Other control options (multiple selections possible)			
Room temperature control, with presence detection		No	No
Room temperature control, with open window detection		No	No
With distance control option		No	No
With adaptive start control		No	No
With working time limitation		No	No
With black bulb sensor		No	No
Energy Efficiency Index		74%	74%
Energy Efficiency Class		D	D
Contact:	Gazco Ltd, Osprey Road, Sowton Industrial Estate, Exeter, EX2 7JG		

Gazco Limited, Osprey Road, Sowton Industrial Estate, Exeter, Devon, England EX2 7JG
Technical Customer Services: (01392) 261950 Fax: (01392) 261951
E-mail: technicalservices@gazco.com

A member of the Stovax Group
E & O E