



Fire Your Imagination



Balanced Flue Log Effect Stove Range

with Thermostatic Remote Control

Instructions for Use, Installation and Servicing

For use in GB, IE (Great Britain and Republic of Ireland)

IMPORTANT

THE OUTER CASING, FRONT AND GLASS PANEL BECOME EXTREMELY HOT DURING OPERATION AND WILL RESULT IN SERIOUS INJURY AND BURNS IF TOUCHED. IT IS THEREFORE RECOMMENDED THAT A FIREGUARD COMPLYING WITH BS 8423 (LATEST EDITION) IS USED IN THE PRESENCE OF YOUNG CHILDREN, THE ELDERLY OR INFIRM.

ENSURE THAT ALL COMBUSTIBLE MATERIALS ARE NOT POSITIONED ABOVE OR NEAR TO THE APPLIANCE OUTER CASING.

This product contains a heat resistant glass panel. This panel should be checked during Installation and at each servicing interval. If any damage is observed on the front face of the glass panel (scratches, scores, cracks or other surface defects), the glass panel must be replaced and the appliance must not be used until a replacement is installed. Under no circumstances should the appliance be used if any damage is observed, the glass panel is removed or broken.

It is essential that ALL of the screws that retain the glass frame are replaced and tightened correctly. Under no circumstances should the appliance be operated if any of these screws are loose or missing.

These Instructions must be left with the appliance for future reference and for consultation when servicing the appliance. Please make the customer aware of the correct operation of the appliance before leaving these instructions with them.

The commissioning sheet found on Page 3 of this Instruction manual must be completed by the Installer prior to leaving the premises.

Contents

Loft Freestanding - Balanced Flue

Covering the following models:

MODEL	LOFT
Nat Gas	548-032
LPG	548-457

Appliance Commissioning Checklist	3
User Instructions	4
Installation Instructions	11
Technical Specifications	11
Site Requirements	14
Installation	19
Commissioning	35
Servicing Requirements	36
Fault Finding	36
How to replace parts	38
Spare parts list	46
Service Records	49
Information Requirement - Gas Heaters	50



If you have purchased your stove or fire from an authorised stockist within our Expert Retailer Network, then automatically your product will carry a 2 year warranty as standard. The 2 year warranty can be further extended to a total warranty period of 5 years by registering your Gazco Stove or Fireplace within one month of the latter of the purchase date or installation date. Accordingly, the start date for the warranty period is the date of purchase. During the registration process, the Expert Retailer details will be required for your Extended Warranty to be activated. Any product purchased outside of our Expert Retailer Network will carry a standard 12 month, non-extendable warranty.

It is a condition of the Extended Warranty that the installation complies with the relevant Building Regulations and is carried out by a suitably trained and qualified individual (GasSafe in the UK or equivalent in other countries) with the certificate of installation and the Commissioning Report on Page 3 completed and retained by the end user.

Full terms and conditions are detailed in the Warranty Statement on the Gazco website www.gazco.com. In the event of any conflict of information the wording on the website shall prevail.

Important Note: Should any problems be experienced with your product, claims must first be submitted to the Expert Retailer where the appliance was purchased from who will offer immediate assistance or contact Gazco on your behalf.



It is a requirement of the Building Regulations 2010 that the installation of this appliance is notified to the Local Authority. It is the responsibility of the GasSafe registered installer to carry out this notification to the Local Authority via the GasSafe register Competent Persons Scheme in England and Wales (different rules apply in Scotland and Northern Ireland).

When the installation has been notified, GasSafe will send a Building Regulations Compliance Certificate to you containing details of the work completed. Please ensure that the person responsible for the installation of this appliance completes this notification and records it in the Appliance Commissioning Checklist on page 3.

IT IS YOUR RESPONSIBILITY TO COMPLY WITH THE BUILDING REGULATIONS AND BE ABLE TO PRODUCE THIS CERTIFICATE SHOULD IT BE REQUIRED IN THE FUTURE.

Appliance Commissioning Checklist

To assist us in any guarantee claim please complete the following information:-

IMPORTANT NOTICE

Explain the operation of the appliance to the end user, hand the completed instructions to them for safe keeping, as the information will be required when making any guaranteed claims.

FLUE CHECK	PASS	FAIL
1. Flue Is correct for appliance		
2. Flue flow Test N/A		
3. Spillage Test N/A		
GAS CHECK		
1. Gas soundness & let by test		
2. Standing gas pressure	mb	
3. Appliance working pressure (on High Setting) Minimum Pressure Requirement: NG - 17.5mbar LPG - 34.5mbar NB All other gas appliances must be operating on full	mb	
4. Gas rate	m ³ /h	
5. Does Ventilation meet appliance requirements N/A		
SAFETY CHECK		
1. Check soundness of the Thermocouple connections - including tightness and lead integrity		
2. Glass checked to ensure no damage, scratches, scores or cracks		
3. Glass frame secured correctly and all screws replaced		
BUILDING CONTROL NOTIFICATION	YES	NO
1. Installer notified GasSafe/Local Authority of installation via Competent Persons Scheme?		

RETAILER AND INSTALLER INFORMATION

Retailer.....

 Contact No.....
 Date of Purchase.....
 Model No.
 Serial No.....
 Gas Type

Installation Company.....

 Engineer.....
 Contact No.....
 GasSafe Reg No.
 Date of Installation

User Instructions

Welcome

Congratulations on purchasing your Gazco Loft, if installed correctly Gazco hope it will give you many years of warmth and pleasure for which it was designed.

The purpose of this manual is to familiarise you with your appliance, and give guidelines for its installation, operation and maintenance. If, after reading, you need further information, please do not hesitate to contact your Gazco retailer.

WARNING



In the event of a gas escape or if you can smell gas, please take the following steps:

- **Immediately turn off the gas supply at the meter/emergency control valve**
- **Extinguish all sources of ignition**
- **Do not smoke**
- **Do not operate any electrical light or power switches (On or Off)**
- **Ventilate the building(s) by opening doors and windows**
- **Ensure access to the premises can be made**

Please report the incident immediately to the National Gas Emergency Service Call Centre on 0800 111 999 (England, Scotland and Wales) , 0800 002 001 (N. Ireland) or in the case of LPG, the gas supplier whose details can be found on the bulk storage vessel or cylinder.

The gas supply must not be used until remedial action has been taken to correct the defect and the installation has been recommissioned by a competent person.

1. General

- 1.1 Installation and servicing must only be carried out by a competent person whose name appears on the GasSafe register. To ensure the engineer is registered with GasSafe they should possess an ID Card carrying the following logo:

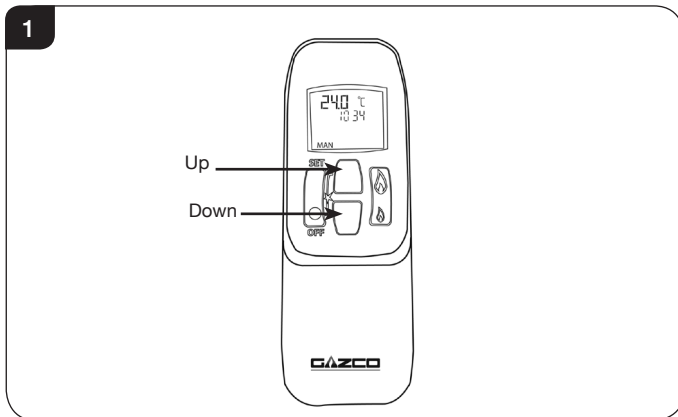


- 1.2 In all correspondence, please quote the appliance type and serial number which can be found on the data badge located at the rear of the appliance or on the Commissioning Checklist on Page 3.
- 1.3 **Do not** place curtains above the appliance: You must have 300mm clearance between the appliance and any curtains at either side.
- 1.4 The manufacturer considers the full outer casing of this stove to be a working surface and it will become hot whilst in operation. A suitable guard is recommended to protect young children, the aged and the infirm.
- 1.5 No furnishings or other objects should be placed within 1 metre of the front of the appliance.
- 1.6 If a shelf is fitted, a distance of 225mm above the appliance is required.
- 1.7 Do not attempt to burn rubbish in this appliance.
- 1.8 This appliance must only be operated with the door secured firmly in position. If any cracks appear in the glass the appliance must not be used until the glass panel is replaced.
- 1.9 If, for any reason, the flue has to be removed from the appliance, the seals must be replaced in the inner spigot.
- 1.10 Do not obstruct the flue terminal in any way i.e. by planting flowers, trees shrubs etc. in the near vicinity, or by leaning objects up against the terminal guard.
- 1.11 Do not put any objects on the terminal guard; it will lose its shape.
- 1.12 Do not use a garden sprinkler or hose near the terminal.
- 1.13 This product is guaranteed for 5 years from the date of installation, as set out in the terms and conditions of sale between Gazco and your local Gazco retailer. Please consult with your local Gazco retailer if you have any questions. In all correspondence always quote the Model Number and Serial Number.

User Instructions

2. Operating the Appliance

The appliance is operated by thermostatic remote control.



2.1 Turning the appliance On

Your remote can control the gas appliance from pilot ignition through to shut down.

To turn the appliance on press the OFF button and the UP button simultaneously. You hear several short signals.

The pilot and main burner ignite and the remote is now in Manual Mode:

i **IMPORTANT: YELLOW FLAMES TYPICALLY APPEAR WHEN THE APPLIANCE HAS REACHED NORMAL OPERATING TEMPERATURE. THIS CAN TAKE UP TO 30 MINUTES.**

! **WARNING: IF THE APPLIANCE FAILS TO LIGHT OR BECOMES EXTINGUISHED IN USE, WAIT 3 MINUTES BEFORE ATTEMPTING TO RELIGHT.**

2.2 There are 3 different modes available for controlling and operating the appliance:

1. Manual Mode
2. Temp Mode (Automatic)
3. Timer Mode (Automatic)

2.3 In **MANUAL MODE** you can:

- turn on the main burner using the UP button
- regulate the flame from high to low and back
- turn off the burner leaving just the pilot burning

In **TEMP MODE (Automatic)** you can:

- set the room temperature so the thermostat in the remote automatically maintains that temperature

In **TIMER MODE (Automatic)** the appliance:

- turns on and off according to the set time periods
- automatically regulates the room temperature during the set periods

i **NOTE: When operating the appliance in Temp or Timer mode, the pilot remains lit and the appliance then automatically switches on at programmed times to bring the room to the set temperature whether or not you are in the room. NEVER LEAVE ANY COMBUSTIBLE MATERIALS WITHIN 1 METRE OF THE FRONT OF THE APPLIANCE.**

Switching Between Modes

- 2.4 Press the SET button to change to Temperature Mode. Press again to change to Timer Mode. Keep pressing to run through all operating modes. These are:
- MAN
 - DAY TEMP
 - NIGHT TEMP
 - TIMER
- and back to MAN

NOTE: MAN mode can also be reached by pressing either the UP or DOWN button.

Manual Mode

- 2.5 Press the OFF button and the UP button simultaneously. You hear several clicks and audible beeps as the appliance begins the ignition process, (up to 30 seconds).

Turning the appliance Off:

Press the OFF button to turn the appliance off.

FOR SAFETY, YOU MUST WAIT 30 SECONDS BEFORE LIGHTING THE APPLIANCE AGAIN.

Increasing the Flame Height:

Press the UP button once to increase flame height one stage. Press and hold the UP button to increase to maximum.

Decreasing the Flame Height:

Press the DOWN button once to decrease flame height one stage. Press and hold the DOWN button to decrease to minimum. At the lowest point the appliance goes to 'Standby Mode' (Only Pilot lit).

i **NOTE: While pressing a button a symbol indicating transmission appears on the display. The receiver confirms transmission with a sound signal.**

User Instructions

Temp Mode (Automatic)

2.6 The display shows the current **room** temperature.

To increase or decrease the appliance's output:

Press the SET button to select either the DAY TEMP or the NIGHT TEMP mode by briefly pressing the SET button.

Hold the SET button until the TEMP display flashes and then let go.

Set the desired temperature with the UP and DOWN arrows (Minimum temperature 5C, maximum 40C or 40F to 99F when Fahrenheit is the preferred option).

Press the OFF button to stop the display flashing or wait to return to TEMP mode.

i **NOTE: If you set a temperature that is beneath the current room temperature, the appliance automatically switches to PILOT (Stand by).**

If you would like the Night temperature control to turn off then decrease the temperature until [-] is displayed.

Timer Mode (Automatic)

2.7 There are two programmable settings you can make over a 24 hour period, P1 and P2. These are normally used to provide an early morning and evening setting for each working week:

- P1 + ● = Start Timed Setting 1
- P1 + ⤴ = End of Timed Setting 1
- P2 + ● = Start Timed Setting 2
- P2 + ⤴ = End of Timed Setting 2

2.8 **P1 - Program 1 for a Timed Setting**

Press the SET button until the TIMER mode is displayed.

Hold the SET button. The display flashes the current time for P1. **While the time displayed is flashing you can alter the hours and minutes set.**

To set the time your appliance first lights, change P1 ●

- Press the UP button to alter the hour
- Press the DOWN button to alter the minutes in 10 minute increments

Press SET again to move to the end setting for P1 ⤴ This is the time your appliance first shuts down:

- Press the UP button to alter the hour
- Press the DOWN button to alter the minutes

2.9 **P2 - Program 2 for a Timed Setting**

Use the same steps outlined in 2.8 to change the setting for P2.

If you have already set P1 and want to alter the setting for P2 only:

- Press the SET button until TIMER mode is displayed.
- Hold the SET button **until the display flashes the current time** for P1 ●
- Press the SET button once again to scroll past the settings for P1 ● and P1

With the time still flashing:

- Press the UP button to alter the hour
- Press the DOWN button to alter the minutes

Once all four times are set press the OFF button

2.10 To view existing settings:

- Select Timer Mode
- Press and briefly hold the SET button you see the start time for P1
- Repeat the above step for the start and end of each program

Low Battery

"BATT" is displayed on the remote when its batteries need replacement.

Setting the time

Simultaneously press the up and down buttons.

Press the up button to set the hour and the down button to set the minutes.

Press OFF to return to the manual mode or simply wait.

Setting the °C/24 Hour or °F/12 Hour clock

Press OFF and the down arrow until the display changes from °C/24 hour clock to °F/12 hour clock and vice versa.

i **If the remote is removed, lost or damaged, signals transmitted to the receiver cease. Your appliance will go to standby (pilot) mode after 6 hours.**

Troubleshooting

! **IMPORTANT: In the unlikely event that the handset fails to communicate correctly with the appliance it may be necessary to turn off the gas supply at the isolation valve until any problems can be resolved.**

The gas meter and isolation valve can be located outside in a meter box, under the stairs, beneath the kitchen sink or in the garage. Whilst this list is not exhaustive, it is important to be able to identify the location of the valve in case of any gas emergency.

To turn off the gas supply, simply turn the handle so the lever is at 90 degrees to the upright gas pipe.

If you smell gas, open doors and windows and never operate any electrical switches. Immediately call the Gas Emergency Services on 0800 111 999.

User Instructions

3. Cleaning the Appliance



IMPORTANT: THE OUTER PANNELLING OF THE GAZCO LOFT IS MADE FROM CAST IRON. USE CAUTION WHEN INSTALLING, REMOVING AND STORING AS THE COMPONENTS ARE HEAVY AND SHOULD BE HANDLED CAREFULLY.

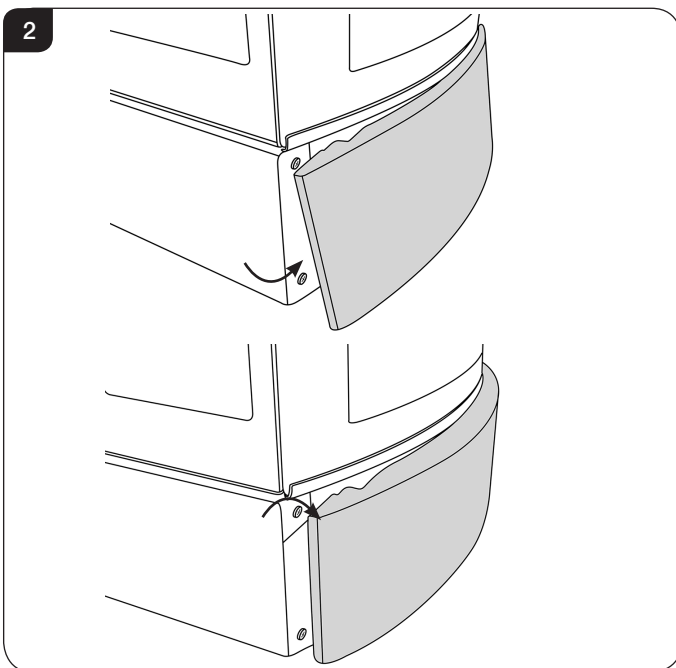
3.1 Make sure the fire and surrounds are cool before cleaning.

Use:

- A dry cloth to clean the appliance casting.
- A damp cloth for the glass front.

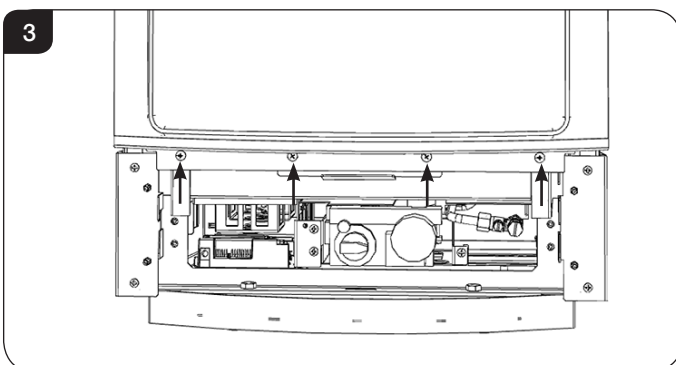
3.2 Remove the plinth to access the controls:

1. Pull the lower section of the plinth forward to release from the studs.
2. Lift the top section and tilt forward to clear the hooks and slots on the front of the appliance, see Diagram 2.



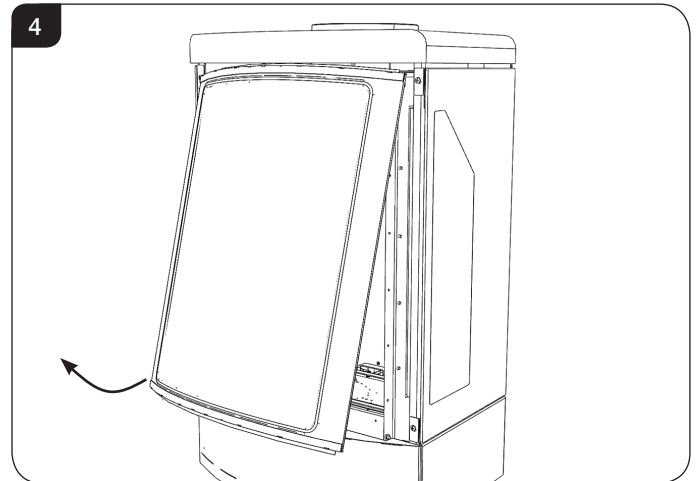
The glass door will need to be removed to gain access to the fuel effect.

3.3 Remove the 4 screws, see Diagram 3.



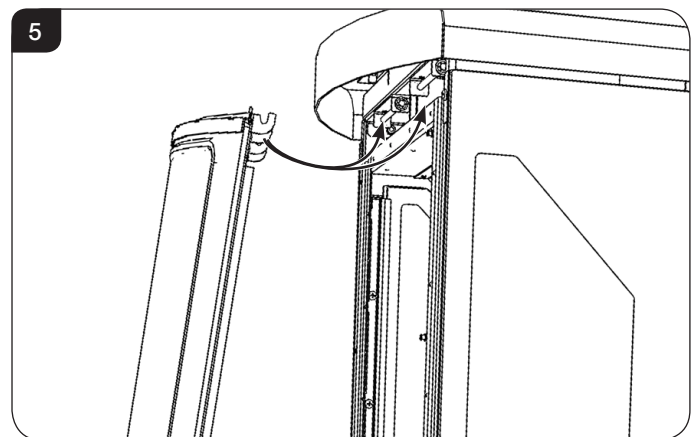
3.4 Lift the glass door slightly and angle the bottom away from the appliance. Lower the glass door to disengage the top hooks from the appliance, see Diagram 4.

NOTE: SUPPORT DOOR WHEN REMOVING.



The glass door must be refitted to the appliance following cleaning or servicing.

3.5 Angle the top of the glass door towards the appliance and locate the top hooks into the bars of the appliance, see Diagram 5.



3.6 Push the base of the glass door against the appliance and lower.

3.7 Secure the base of the glass door with the 4 screws, see Diagram 3.

3.8 Replace ALL of the securing screws, ensuring that a screw is present in all fixing slots.

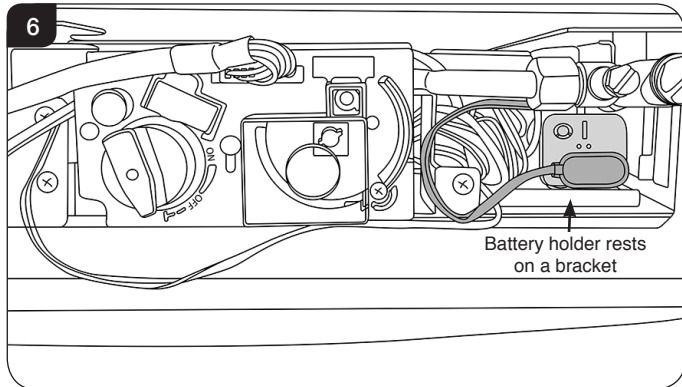


UNDER NO CIRCUMSTANCES SHOULD THE APPLIANCE BE USED IF ANY OF THE GLASS FRAME RETAINING SCREWS RE LOOSE OR MISSING.

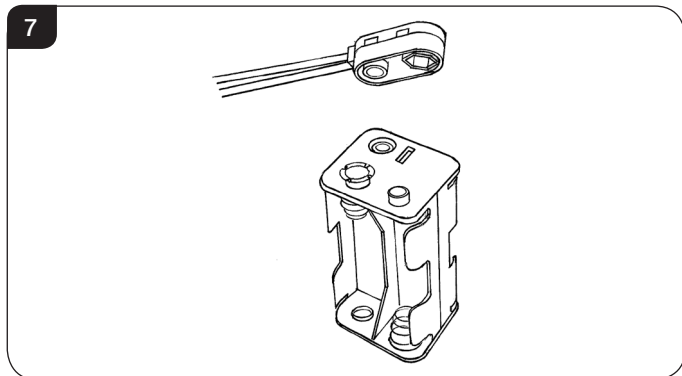
User Instructions

4. Changing the Appliance Batteries

- 4.1 The appliance batteries are located on a bracket located behind the lower plinth, see Diagram 6.
To remove the plinth see Section 3.



- 4.2 Unclip the battery holder from the connector and remove the old batteries.
- 4.3 Correctly position the 4 new AA size batteries into the battery holder. Re-assemble the battery holder as shown in Diagram 7.



- 4.4 Replace the battery holder.

i It is essential to use high quality batteries (Duracell or equivalent) when replacing batteries in the handset or control box.

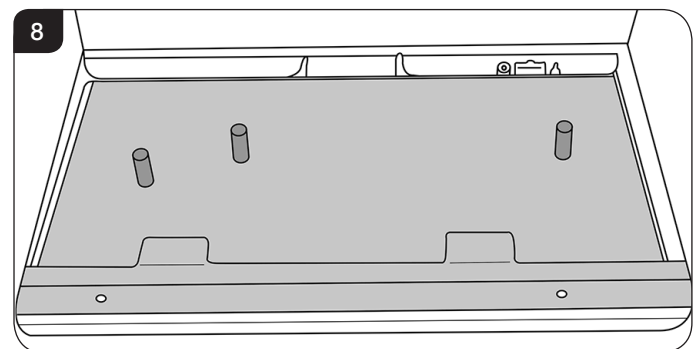
! PLEASE ENSURE NO WIRES ARE TRAPPED BEFORE REPLACING THE PLINTH. THE LEAD IS EASILY DAMAGED.

5. Log Layout

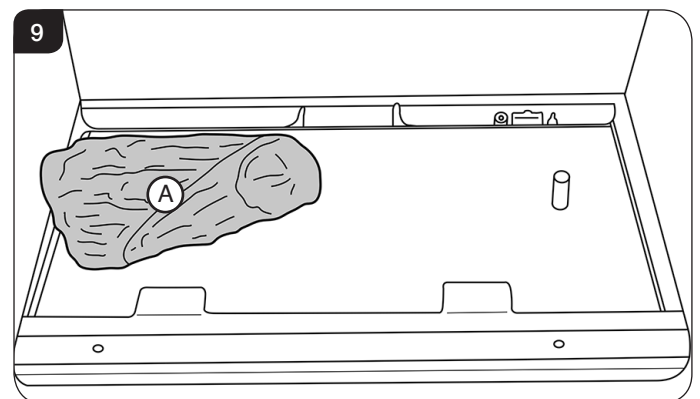
LOGS MUST BE POSITIONED ACCORDING TO THE FOLLOWING INSTRUCTIONS TO GIVE THE CORRECT FLAME EFFECT.

All logs can be identified by a letter (A - D) on their underside. Logs A and B have holes to locate each onto a burner stud.

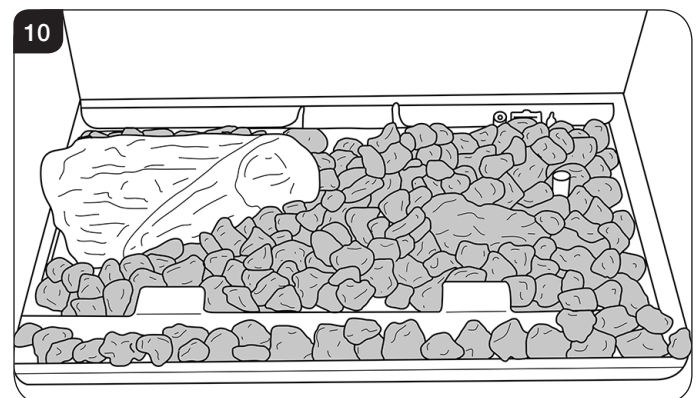
- 5.1 Ensure the burner tray is clean and free from any debris, see Diagram 8.



- 5.2 Place Log A in position on the 2 locating pins, see Diagram 9.

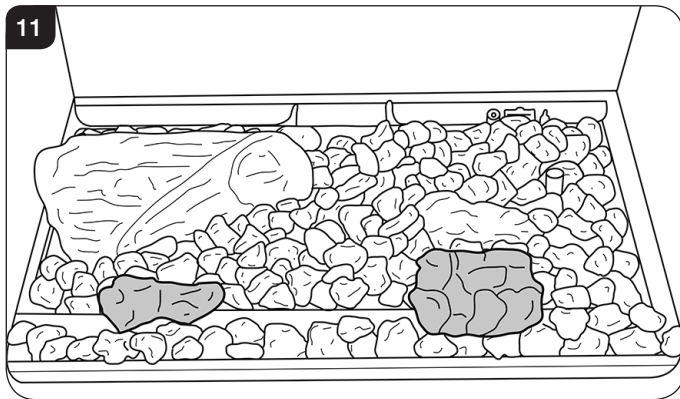


- 5.3 Spread the Lava Rock evenly over the fuel bed and around Log A, see Diagram 10.

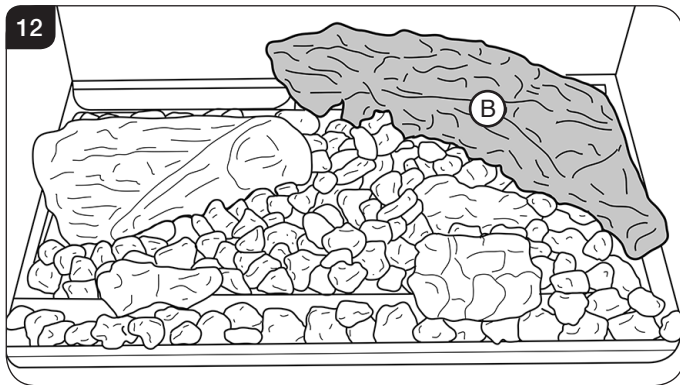


User Instructions

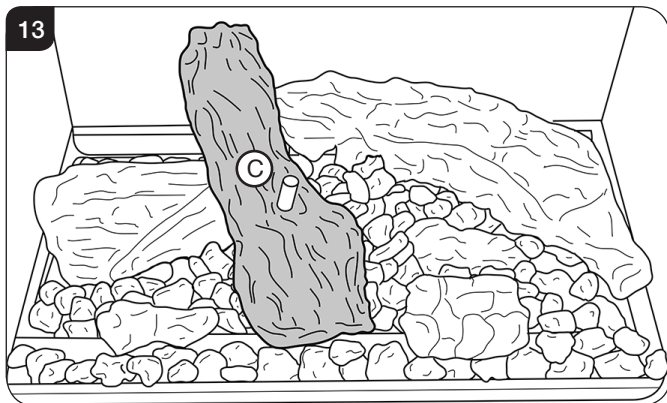
- 5.4 Position the 2 embers on the lip at the front of the fuel bed, see Diagram 11.



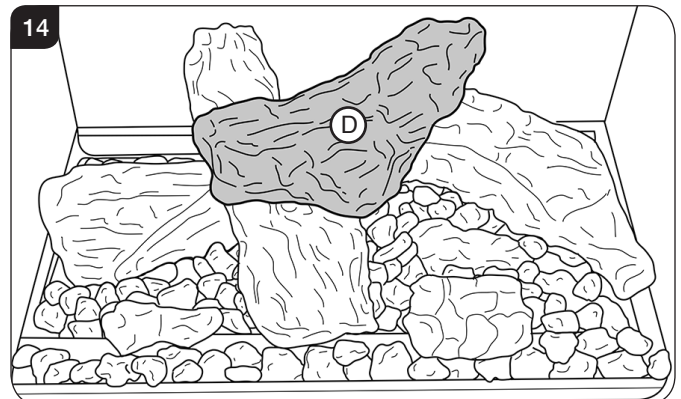
- 5.5 Log B is positioned on the right hand locating pin, and rests against the back liner, see Diagram 12.



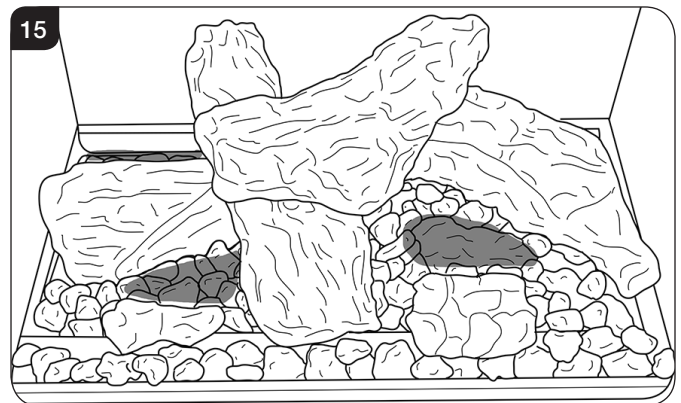
- 5.6 Log C rests on Log A and the front tray with the locating pin facing up, see Diagram 13.



- 5.7 Log D fits onto the locating pin and rests on Log B, see Diagram 14.



- 5.8 Sparingly spread an amount of the Embaglow fibres provided on the sections highlighted, see Diagram 15. Take care not to use more than half a packet per application.



User Instructions

6. Flame Failure Device

- 6.1 This is a safety feature incorporated on this appliance which automatically switches off the gas supply if the pilot goes out and fails to heat the thermocouple.

IF THIS OCCURS DO NOT ATTEMPT TO RELIGHT THE APPLIANCE FOR 3 MINUTES.

7. Running In

- 7.1 During initial use of a new Gazco appliance a strong odour will be encountered as various surface coatings become hot for the first time. Although these odours are harmless it is recommended that the appliance is operated on maximum for 4 to 8 hours in order to fully burn off these coatings. After this period the odours should then disappear.

If the odours persists, please contact your installer for advice.

- 7.2 During the first few hours of burning there may be discolouration of the flames. This will also disappear after a short period of use.

8. Servicing

- 8.1 The appliance must be serviced every 12 months by a qualified GasSafe Engineer. In all correspondence always quote the Model number and the Serial number which may be found on the Commissioning Checklist (Page 3).

9. Ventilation

- 9.1 This appliance requires no additional ventilation.

10. Installation Details

- 10.1 Your installer should have completed the commissioning sheet at the front of this book. This records the essential installation details of the appliance. In all correspondence always quote the Model number and Serial number.

11. Hot Surfaces

- 11.1 Parts of this appliance become hot during normal use. Regard all parts of the appliance as a 'working surface', except for the access to the controls.
- 11.2 Provide a suitable fire guard to protect young children and the infirm.

Installation Instructions

Technical Specification

Covering the following models:

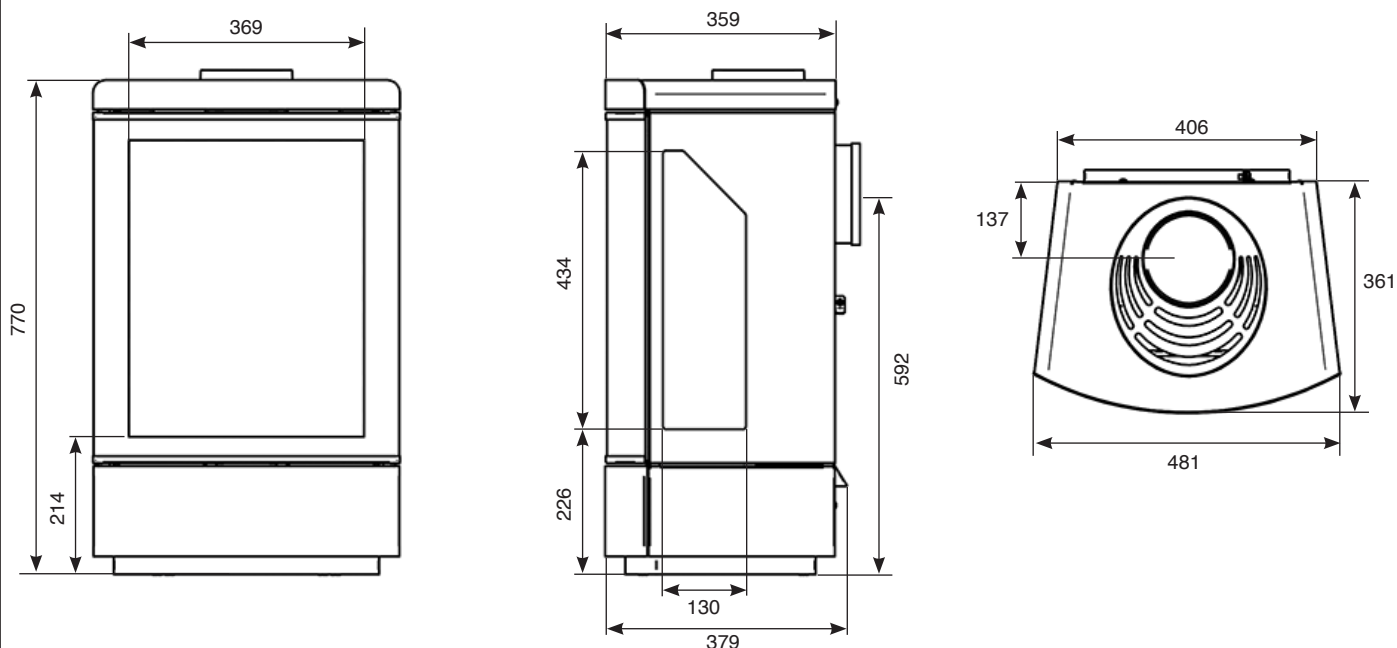
MODEL	LOFT
Nat Gas	548-032
LPG	548-457

Model	Gas CAT.	Gas Type	Working Pressure	Aeration	Injector	Gas Rate m ³ /h	Input kW (Gross)		Country
							High	Low	
Loft Nat Gas	I ₂ H	G20	20mbar	8mm x 2	440	0.495	5.3	3.5	GB, IE
Loft LPG	I ₃ P	G31	37mbar	N/A	111	0.173	4.8	2.9	
Rear Exit Wall Thickness - Min 200mm/ Max 550mm									
Efficiency Class 1 - 94.3%									
Flue Outlet Size ø 100mm, Flue Inlet Size ø 150mm									
Gas Inlet Connection Size ø 8mm									



The net efficiency of this appliance has been measured as specified in EN613:2001 and the result after conversion to gross using the appropriate factor from Table E4 of SAP 2012 is 84.9%. The test data has been certified by Kiwa Nederland B.V. The gross efficiency value may be used in the UK Government's Standard Assessment Procedure (SAP) for energy rating of dwellings.

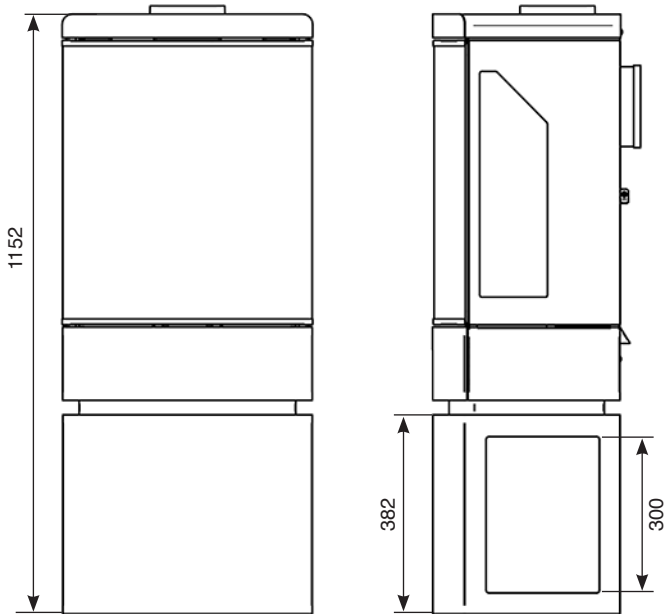
Standard Model



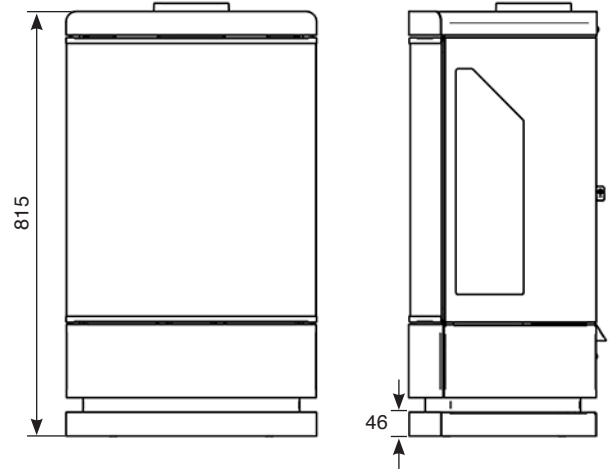
Installation Instructions

Technical Specification

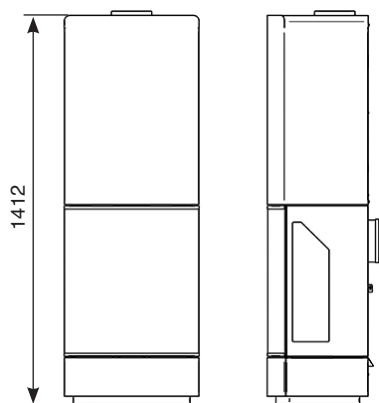
With Log Store Base



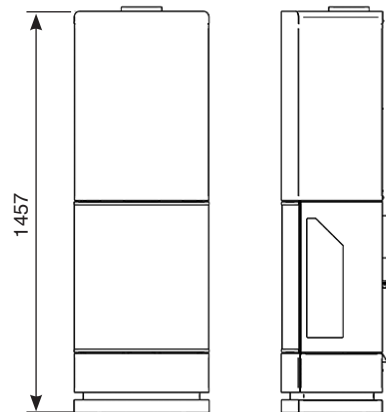
With Plinth



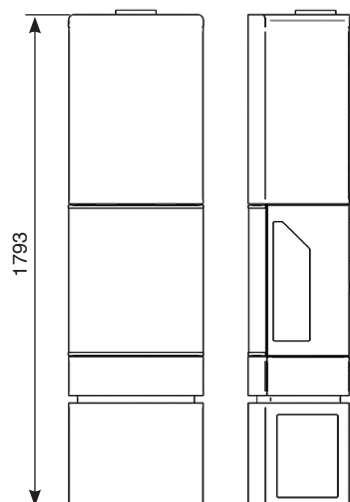
With Top Box



With Top Box and Plinth



With Log Store Base and Top Box



Installation Instructions

Technical Specification

This appliance has been certified for use in countries other than those stated. To install this appliance in these countries, it is essential to obtain the translated instructions and in some cases the appliance will require modification. Contact Gazco for further information.

PACKING CHECKLIST

ALL MODELS	
Qty Description	Fixing Kit containing:-
1 x Loft Appliance 1 x Log Set (4 Logs) 1 x Lining Set	All Models: 2 x No.8 Red Rawl Plugs 1 x Battery Holder 1 x Embaglow Packet 1 x instructions 2 x No.8 Screw 4 x AA Batteries 1 x 9v Battery 1 x 70mm Restrictor Graphite Metal Plinth Only: 3 x M5x25 Hex Head Screws To Extension Section Only: 4 x No.8 x 10 Screws Stone Plinth & Log Store Only: 4 x Metal Rawl Plug 4 x No.6 x 40 Coach Screw 4 x 32mm Felt Pad

LOFT RANGE

RESTRICTOR REQUIREMENT - NAT GAS/ LPG				
VERTICAL & HORIZONTAL FLUE			TOP EXIT - VERTICAL ONLY INCLUDING OFFSET	
Vertical Flue Height	Horizontal Length	Restrictor Size	Vertical Flue Height	Restrictor Size
500mm - 999mm	250mm - 1000mm	No restrictor	2000mm - 4999mm	Ø 52mm
1000mm - 1499mm	250mm - 1000mm	Ø 70mm	5000mm - 10,000mm	Ø 47mm
1500mm - 3000mm	250mm - 5000mm	Ø 60mm		

Installation Instructions

Site Requirements

1. Flue and Chimney Requirements

Note: This appliance must only be installed with the flue supplied.

You must adhere to the following:

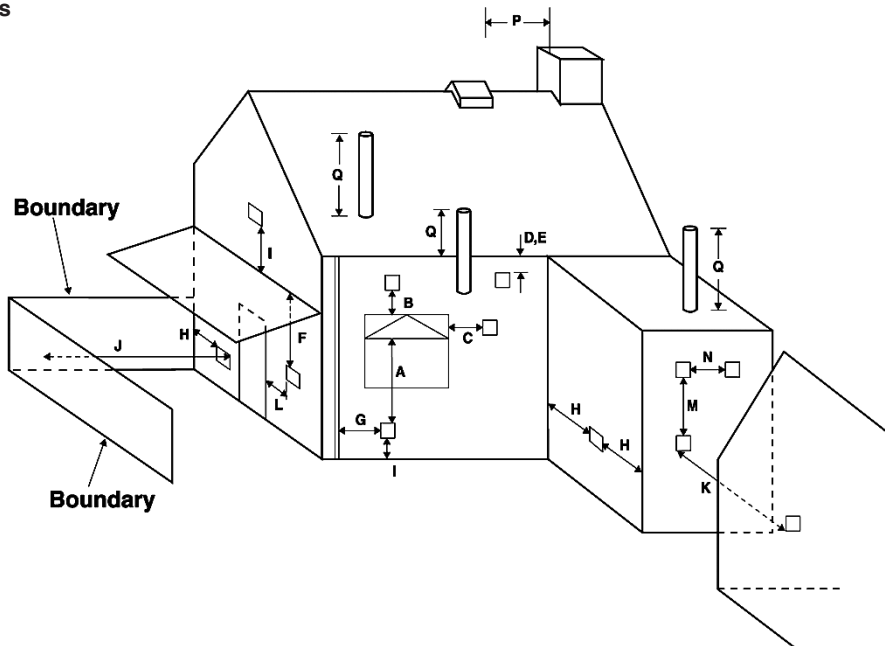
- 1.1 The flue must be sited in accordance with BS5440: Part 1 (latest edition), see Diagram 1.
- 1.2 Fit a guard to protect people from any terminal less than 2 metres above any access such as level ground, a balcony or above a flat roof.
- 1.3 All horizontal flues must be securely fixed and fire precautions followed in accordance with local and national codes of practice.
- 1.4 A restrictor may be required. Refer to Technical Specifications on page 13.

2. Timber Framed Buildings

- 2.1 To prevent a fire hazard, you must provide additional clearance when the appliance passes through a wall containing any combustible materials.
- 2.2 A steel sleeve must be inserted into the hole through which the flue passes to give an air gap of 25mm between the sleeve and any outside surface of the flue.
- 2.3 Contact your local buildings authority for further guidance on installing gas fires in timber framed buildings.

Note: Make sure you provide adequate clearance at the sides and back of the appliance for servicing access.

1 UK Dimensions



Dimension	Terminal Position	Minimum Distance
A*	Directly below an opening	600mm
B*	Above an opening	300mm
C*	Horizontally next to an opening	400mm
D	Below gutters, soil pipes or drain pipe	300mm
E	Below eaves	300mm
F	Below balcony or car port roof	600mm
G	From a vertical drain pipe or soil pipe	300mm
H	From an internal or external corner or to a boundary alongside the terminal	600mm
I	Above ground, roof or balcony level	300mm

Dimension	Terminal Position	Minimum Distance
J	From a surface or boundary facing the terminal	600mm
K	From a terminal facing the terminal	600mm
L	From an opening in the car port (e.g. door, window) into the dwelling	1200mm
M	Vertically from a terminal on the same wall	1200mm
N	Horizontally from a terminal on the same wall	300mm
P	From a structure on the roof	600mm
Q	Above the highest point of intersection with the roof	300mm

* In addition, the terminal should not be nearer than 300mm to an opening in the building fabric formed for the purpose of accommodating a built-in element such as a window frame.

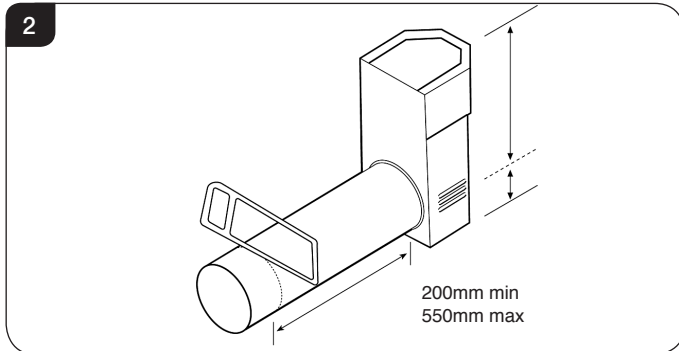
Installation Instructions

Site Requirements

3. Rear Flue

3.1 This flue extends horizontally from the back of the appliance, see Diagram 2.

ALL MODELS (8526)



Terminal dimensions:

395 x 200 x 200 mm (H x W x D)

Guard supplied

Cut to length as required on site, see Diagram 2.

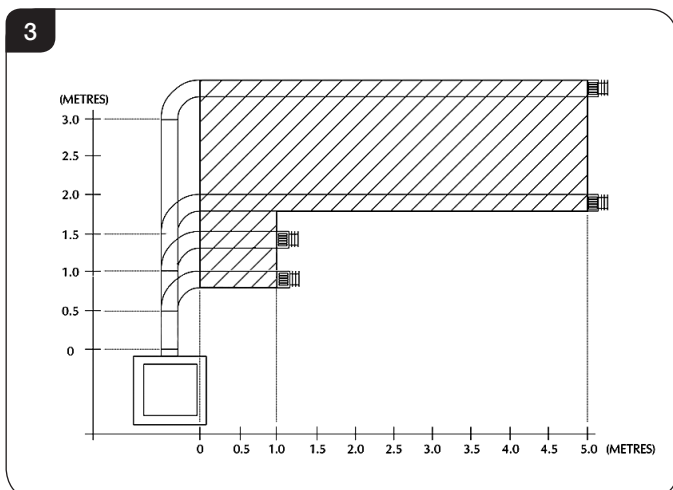
There are two types of flue terminal: horizontal (Section 3b) and vertical (Section 3d).

3a. Top Flue Up and Out Kit

3.2 This flue rises vertically from the top of the appliance, then continues horizontally outward, see Diagrams. The basic kit comprises:

ALL MODELS (8523/8523AN)

- 1 x 500mm vertical length
- 1 x 500mm terminal length
- 1 x 90 degree elbow
- 1 x wall plate
- 1 x 52mm restrictor
- 1 x 60mm restrictor
- 1 x 75mm restrictor
- 4 x fixing screw



3.3 This kit provides the minimum materials. Extra lengths can be added to the vertical and horizontal sections; refer to Section 4.

3.4 Refer to Installation Instructions, Technical Specification on page 13 to identify when to use a restrictor.

3b. For horizontal terminal installations:

3.5 Decide on the terminal position.

3.6 Measure the height from the top of the appliance to the centre of the required hole. For minimum and maximum dimensions see Diagram 3 & 4.

3.7 To fit the flue you must have access to the top or the side of the appliance to connect the flue.

3.8 Assemble the vertical sections making sure the top plate and flue collar are fitted before the flue pipe.

3.9 Add the 90° elbow.

3.10 Add the horizontal section and terminal. **Only the horizontal terminal can be reduced in size.**

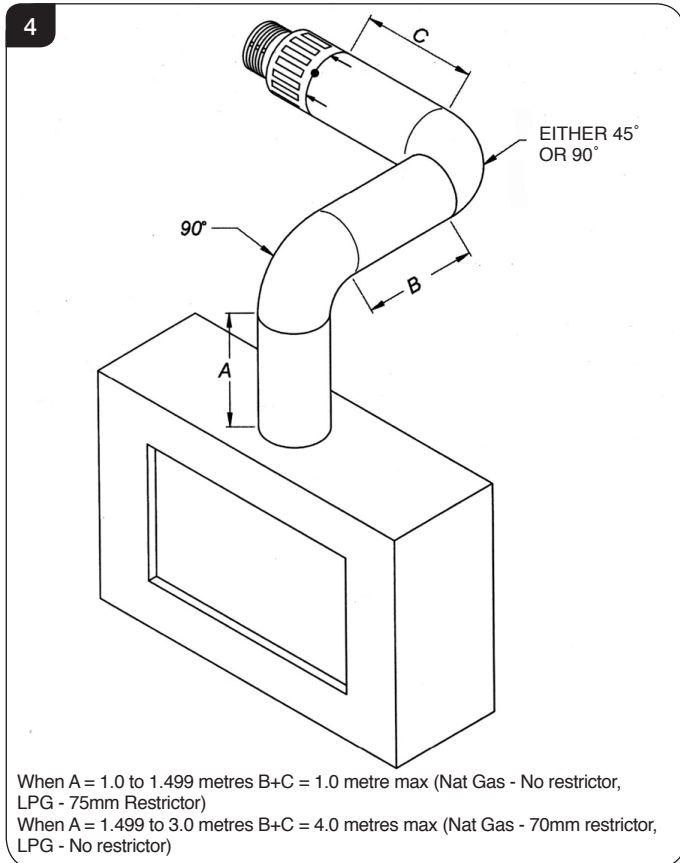
3.11 A masonry installation requires the addition of a suitable lintel to support the opening. Refer to Installation Instructions, Technical Information for details of the flue length.

Installation Instructions

Site Requirements

3c. Top Flue Up and Out with Additional Bend

- 3.12 An additional bend can be used on the horizontal section (45° or 90°) but the overall horizontal flue is reduced, see Diagram 4.



3d. Top Flue Vertical Kit

- 3.13 This flue is vertical from the top of the appliance, see Diagram 5. A minimum vertical rise of 3m (9'10") to a maximum of 10m (32'10").

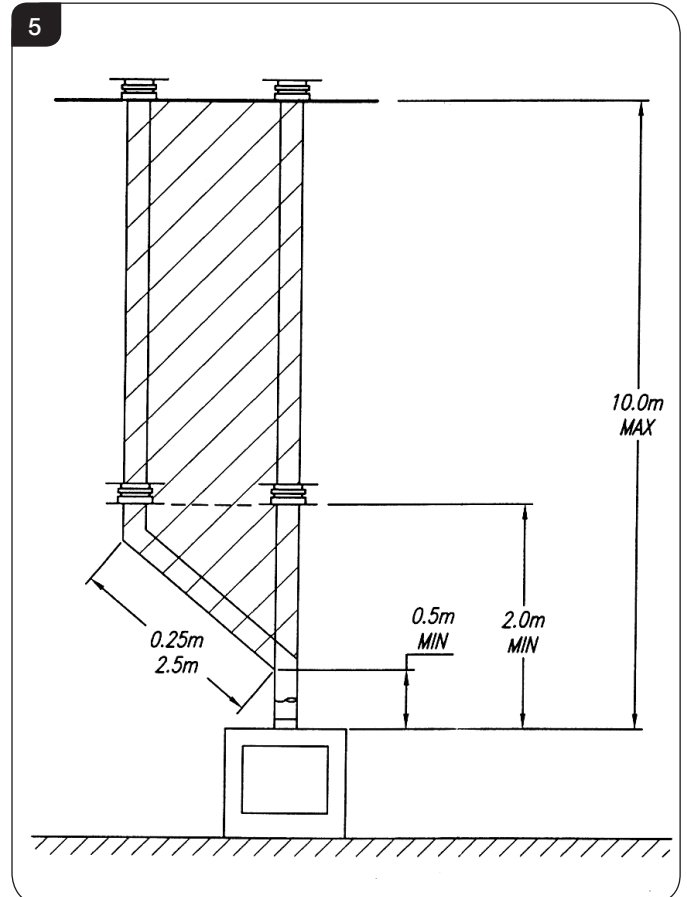
8524/8524AN

The basic kit comprises:

- 2 x 1m lengths
- 1 x 1m terminal length
- 1 x 52mm restrictor
- 1 x 47mm restrictor - Not used on this appliance
- 1 x 60mm restrictor
- 1 x 70mm restrictor - Not used on this appliance

- 3.14 Extra lengths can be added, see Diagram 5.

- 3.15 Refer to Installation Instructions, Technical Specification to identify when to use a restrictor.



3e. Top Flue Vertical Offset Kit (8530/8530AN)

- 3.16 Used with kit 999-539. A minimum rise of 500mm (19½") is required to the first bend, see Diagram 5.

4. Optional Extra Flue Lengths and Bends

Nominal Length	Actual Length	Stainless Finish	Anthracite Finish
200mm	140mm	8527	8527AN
500mm	440mm	8528	8528AN
1000mm	940mm	8529	8529AN
45° Bend	N/A	8507	8507AN
90° Bend	N/A	8508	8508AN
Optional Flue Collar		8548MB	

Installation Instructions

Site Requirements

5. Gas Supply

This appliance is intended for use on a gas installation with a governed meter.

- 5.1 Before installation, ensure that the local distribution conditions (identification of the type of gas and pressure) and the adjustment of the appliance are compatible.
- 5.2 Ensure the gas supply delivers the required amount of gas and is in accordance with the rules in force.
- 5.3 You can use soft copper tubing on the installation and soft soldered joints outside the appliance and below the fire.
- 5.4 A factory fitted isolation device is part of the inlet connection; no further isolation device is required.
- 5.5 All supply gas pipes must be purged of any debris that may have entered prior to connection to the appliance.
- 5.6 The gas supply enters underneath the rear of the outer box:
- 5.7 The gas supply must be installed in a way that does not restrict the removal of the appliance for servicing and inspection.

6. Ventilation

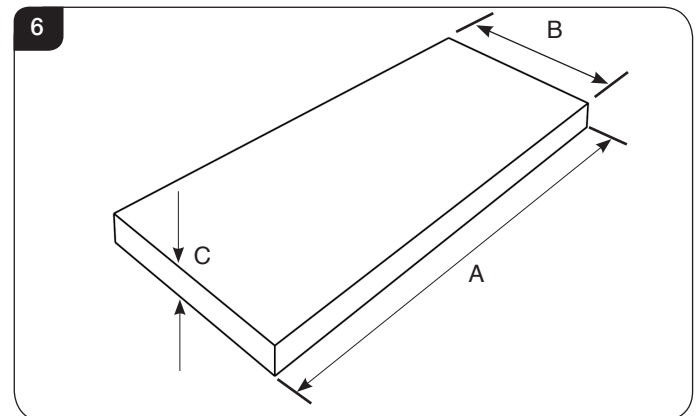
- 6.1 This appliance requires no additional ventilation.

7. Appliance Location

- 7.1 Once the position of the appliance has been decided: Follow the instructions for securing the appliance on Page 19.
- 7.2 The non-combustible hearth must be at least 12mm thick, and project a minimum of 50mm from the base of the appliance in all directions.
- 7.3 The appliance is not suitable for installation against a combustible wall. See table on page 18 for minimum distances to combustible materials.
This does not apply to wall mounted models.
- 7.4 This appliance can be installed with an up and out flue (vertical wall - horizontal flue) or with a vertical flue with roof termination (see **Flue Options, Section 2 Site Requirements**).

HEARTH INSTALLATION (NOT APPLICABLE FOR BASE SECTION INSTALLATIONS MODELS)

- 7.5 Building Regulations state this appliance must stand on a non-combustible hearth that is at least 12mm thick and projects 50mm minimum from the base of the appliance in all directions, however Gazco recommend the hearth extends to the following dimensions, see Diagram 6.



Dimensions	A	B	C
All Models	716mm	498mm	12mm

BASE SECTION INSTALLATION

- 7.6 It is not necessary to site these products on a non-combustible floor. However, for practical reasons, the floor should be flat and solid to allow the appliance to be levelled and secured in place.
- 7.7 This appliance may be situated anywhere in the room, but due consideration should be taken to ensure that it is sited within the constraints of the allowable flue configuration.

DO NOT INSTALL APPLIANCE ON A CARPET.

SECURING THE APPLIANCE TO THE WALL (WALL MOUNTED MODELS ONLY)

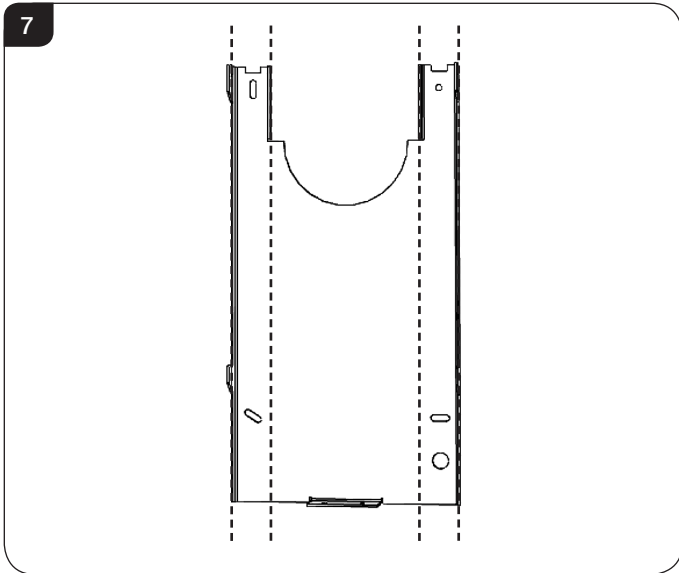


WARNING: This appliance weighs 62kg. The manufacturer has designed this appliance to attach to a masonry wall and all fixings supplied reflect this. If siting on a studwork wall, the fixing points must be through the timber stud and not plasterboard. Use appropriate fixings. DO NOT attach solely to a plasterboard wall.

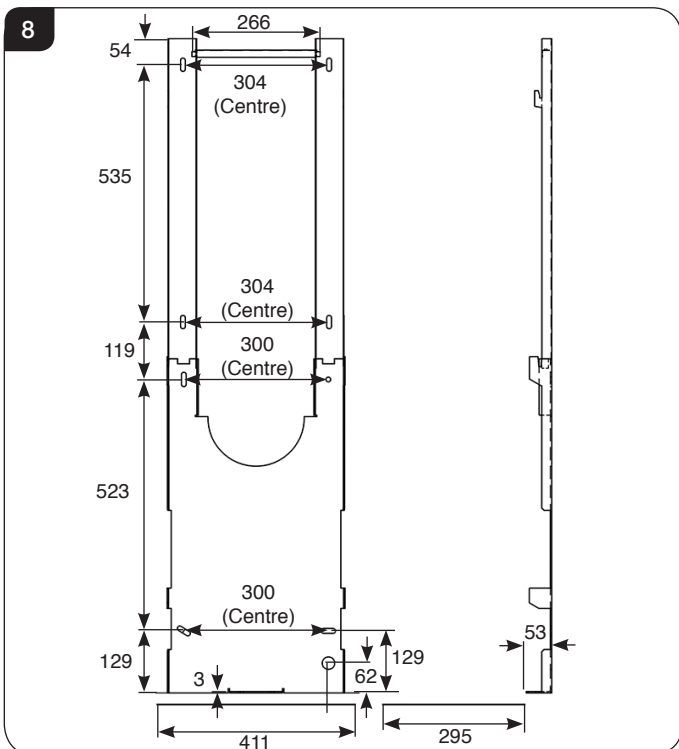
Installation Instructions

Site Requirements

7.8 If installing on a studwork wall it is essential that the battens are located in the fixing area for the wall mounting bracket, see Diagram 7.



MOUNTING BRACKET DIMENSIONS



7.9 **DISTANCE FROM FLOOR / HEARTH LEVEL**

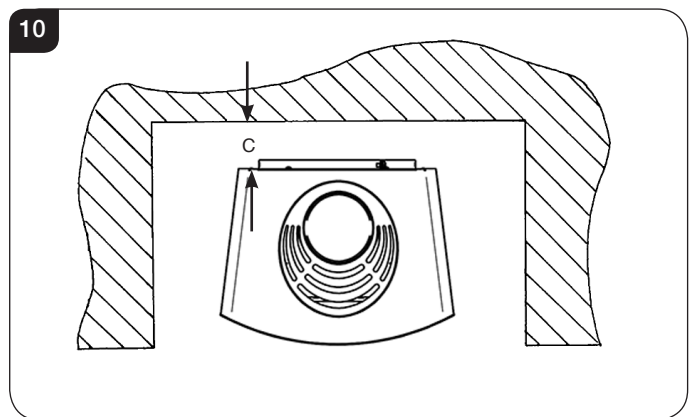
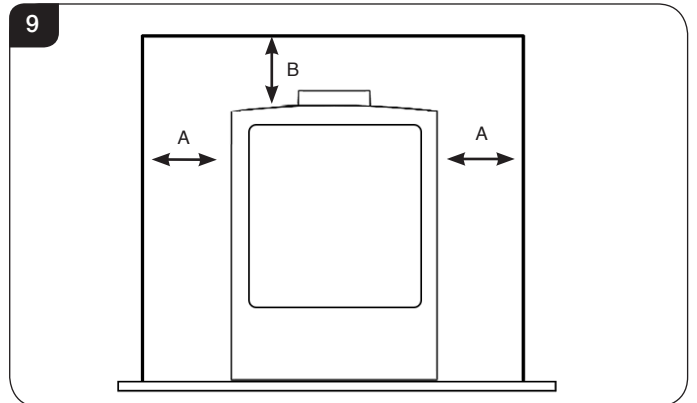
It is necessary to leave a minimum gap of 100mm below the base of the wall mounted appliance to ensure servicing access.

MINIMUM CLEARANCE

7.10 **Freestanding appliances** are not suitable for installation against a combustible wall. **(NOT APPLICABLE FOR WALL MOUNTED MODELS.)**

7.11 **Ensure that all minimum clearances to combustible materials are complied with, see Diagrams 9 & 10.**

The specified clearances provide the minimum distance to combustible materials. If the appliance is intended to be installed into a non-combustible opening the clearance to the **sides and above** the appliance can be reduced. However, it is recommended that the specified clearances are maintained irrespective of the materials used in the construction of the opening to allow adequate air flow and access to controls. **The clearance at the rear of the appliance must always be a minimum of 50mm (NOT APPLICABLE FOR WALL MOUNTED MODELS).**



Dimension	Loft Freestanding Installation	Loft Wall Mounted Installation
A	150	150
B	225	400
C	50	0

Installation Instructions

1. Safety Precautions

- 1.1 For your own and other's safety, you must install this appliance according to local and national codes of practice. Failure to install the appliance correctly could lead to prosecution. **Read these instructions before installing and using this appliance.**
- 1.2 These instructions must be left intact with the user.
- 1.3 Do not attempt to burn rubbish on this appliance.
- 1.4 Keep all plastic bags away from young children.
- 1.5 Do not place any object on or near to the appliance and allow adequate clearance above the appliance.

IF THE APPLIANCE IS EXTINGUISHED OR GOES OUT IN USE, WAIT 3 MINUTES BEFORE ATTEMPTING TO RELIGHT THE APPLIANCE.



IMPORTANT: REFER TO DATA BADGE AND TECHNICAL SPECIFICATION AT THE FRONT OF THE MANUAL TO ENSURE THE APPLIANCE IS CORRECTLY ADJUSTED FOR THE GAS TYPE AND CATEGORY APPLICABLE IN THE COUNTRY OF USE.

FOR DETAILS OF CHANGING BETWEEN GAS TYPES REFER TO SERVICING, SECTION 14, REPLACING PARTS.

Unpacking

- 1.6 Remove the appliance from its packaging, and check that it is complete and undamaged.
- 1.7 The cast plate is stored on top of the appliance. Remove and store in a safe place.

Put the loose ceramic parts to one side so that they are not damaged during installation.



Please note: As an optional extra Gazco can provide a mains adapter to supply constant power to the appliance control box instead of the battery pack.

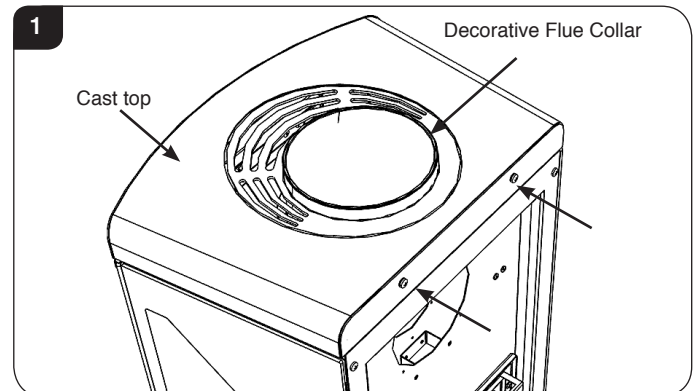
If installing an appliance with the adapter make provision for a mains power socket within 1.5m of the control box and follow the instructions provided.

2. Top or Rear Exit

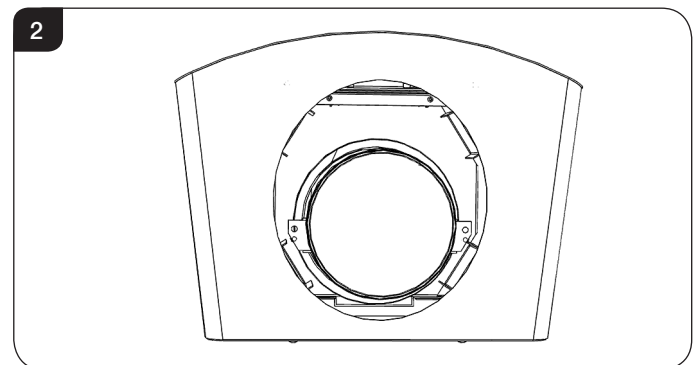
- 2.1 Before locating the appliance choose the correct flue outlet position.
- 2.2 The appliance is supplied as a top exit configuration.

Rear Exit

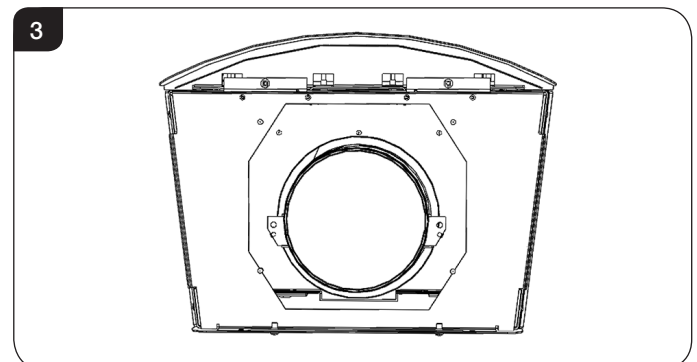
- 2.3 To switch outlets remove the decorative flue collar, see Diagram 1.



- 2.4 Remove the 2 screws from the back of the cast top plate, see Diagram 1.
- 2.5 Remove the flue insert and cast top plate, see Diagram 2.

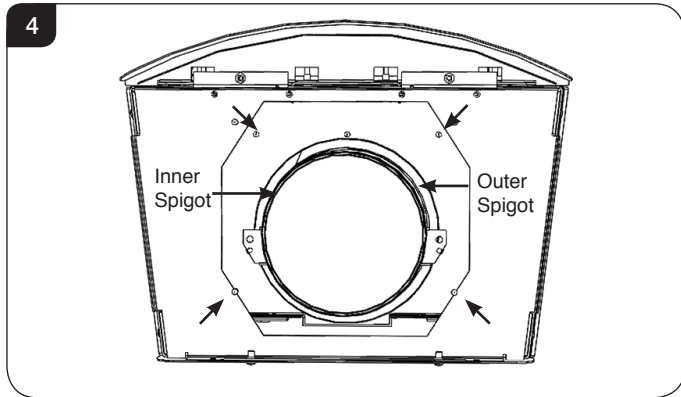


- 2.6 The cast top plate lifts off to give access to the inner and outer flue spigots, see Diagram 3.

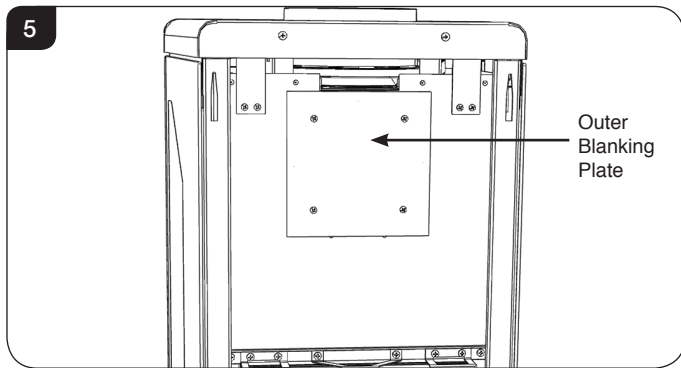


Installation Instructions

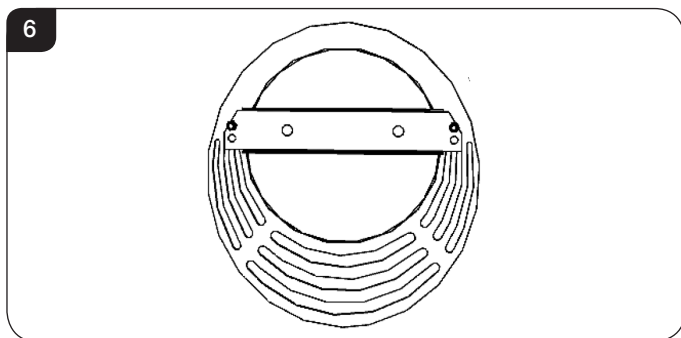
2.7 Remove the screws securing the inner & outer spigots, see Diagram 4.



2.8 Swap the inner and outer flue spigots **only** with the inner and outer blanking plates on the rear of the appliance, see Diagram 5.



2.9 Attach the decorative flue blanking plate support bracket to the underside of the cast top using the screws provided. Ensure the folded return is pressed against the cast top, see Diagram 6.



If installing a Top Extension Section, follow Section 4.

3. Fixing the Appliance to the Hearth



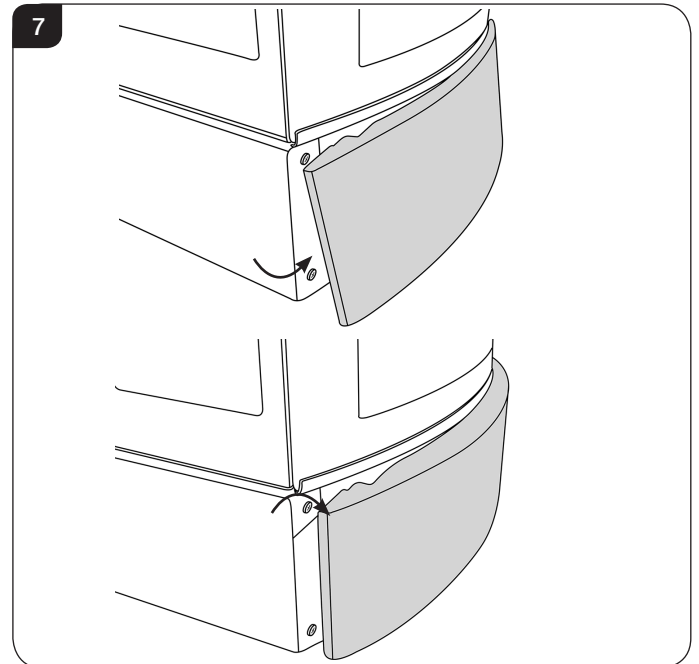
IMPORTANT: THE OUTER PANNELLING OF THE GAZCO LOFT IS MADE FROM CAST IRON. USE CAUTION WHEN INSTALLING, REMOVING AND STORING AS THE COMPONENTS ARE HEAVY AND SHOULD BE HANDLED CAREFULLY.

For Wall Mounted Installations see Section 6.

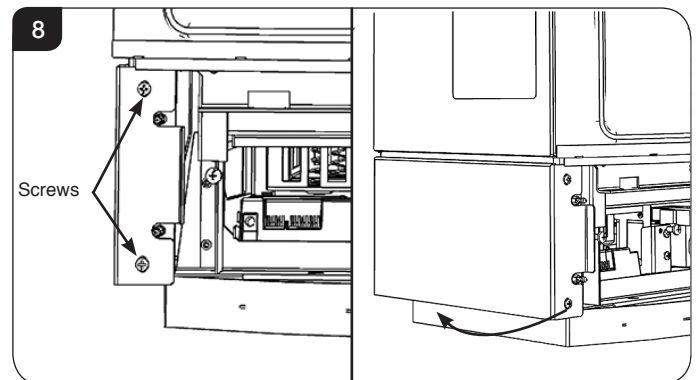
3.1 To fix the appliance via a Plinth or a Log Store it will be necessary to gain access to the fixing points on the appliance:

3.2 Remove the plinth to access the controls:

1. Pull the lower section of the plinth forward to release from the studs.
2. Lift the top section and tilt forward to clear the hooks and slots on the front of the appliance, see Diagram 7.



3.3 Remove the 2 side screws, see Diagram 8.



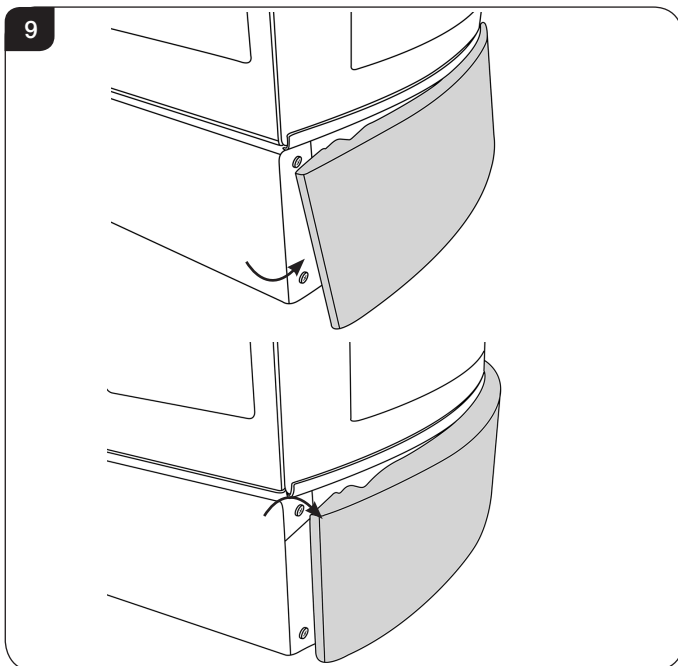
3.4 Pull the front of the side panels away from the appliance and slide backwards to disengage the back tabs, see Diagram 8.

Installation Instructions

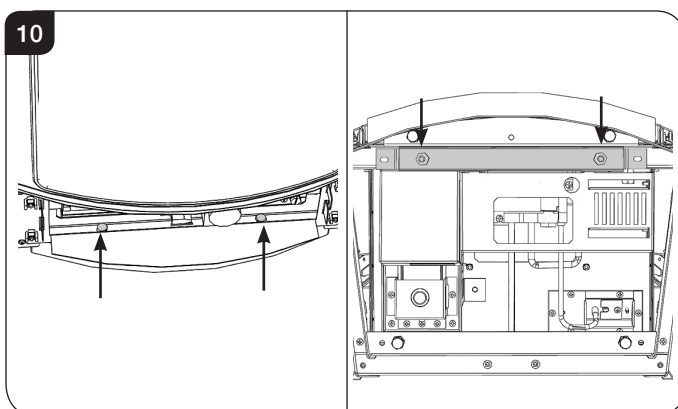
3A. Direct to Hearth

The appliance sits on a mounting bracket to secure it in place to either the hearth or bench.

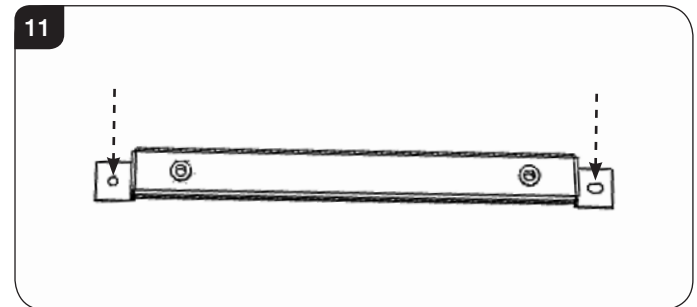
- 3a.1 To fix to a hearth, first remove the mounting bracket from beneath the appliance.
- 3a.2 Remove the plinth to access the controls:
1. Pull the lower section of the plinth forward to release from the studs.
 2. Lift the top section and tilt forward to clear the hooks and slots on the front of the appliance, see Diagram 9.



- 3a.3 Access the bolts that secure the bracket, see Diagram 10. Note the bracket can be accessed by tilting the appliance. Take care to support.



- 3a.4 Place in the desired position on the bench and mark the holes to drill the bracket screws, see Diagram 11.



- 3a.5 Remove the bracket and drill the guide holes.

- 3a.6 Fix the bracket in place.

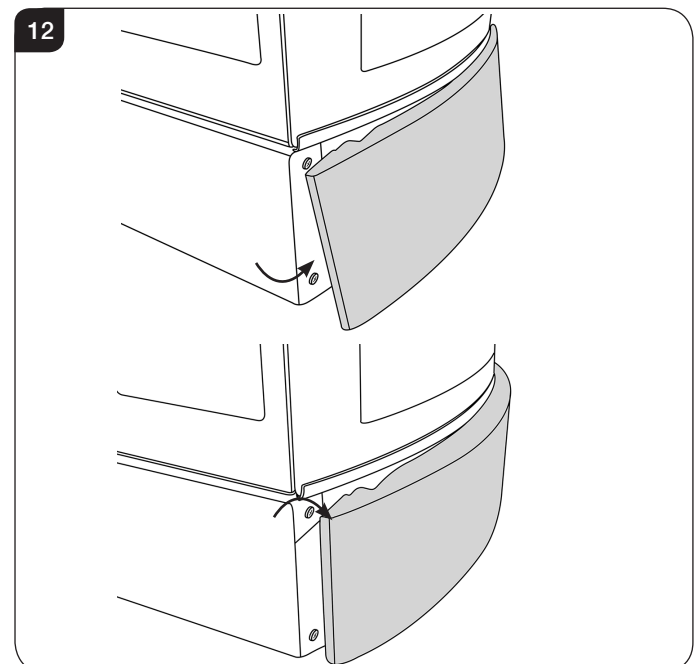
- 3a.7 Position the appliance on the bracket and secure down through the holes with the fixing previously removed, see Diagram 10.

3B. Plinth fixing

- 3b.1 To fix to a hearth with a plinth, first remove the mounting bracket from beneath the appliance.

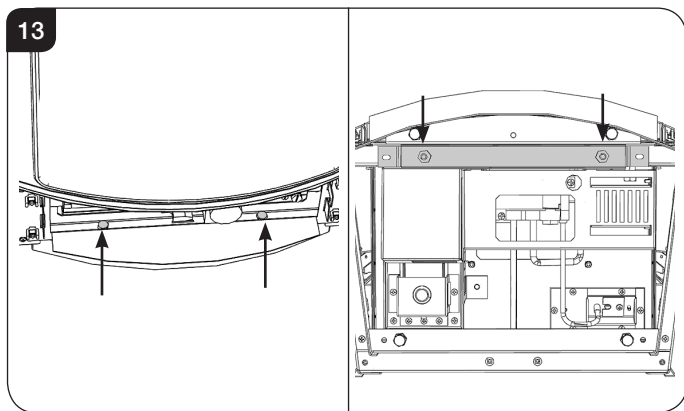
- 3b.2 Remove the plinth to access the controls:

1. Pull the lower section of the plinth forward to release from the studs.
2. Lift the top section and tilt forward to clear the hooks and slots on the front of the appliance, see Diagram 12.

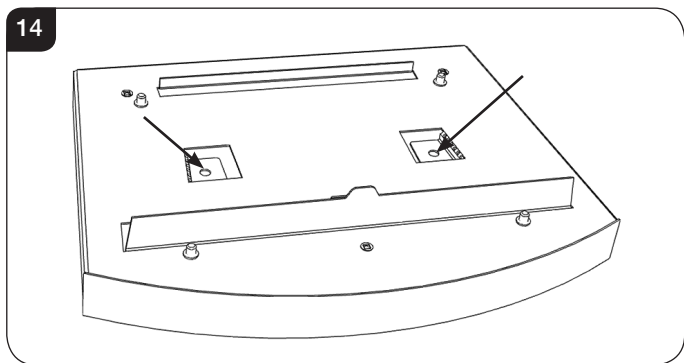


Installation Instructions

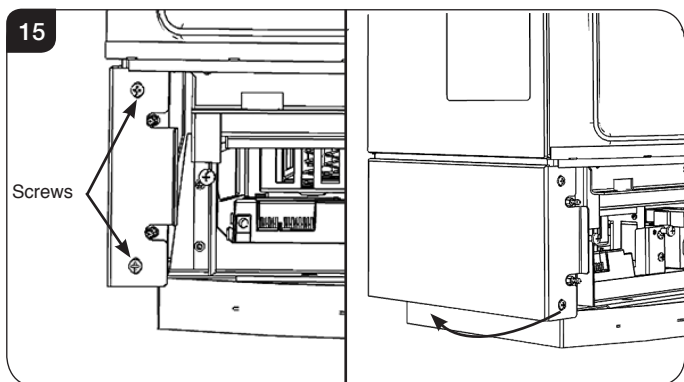
- 3b.3 Access the bolts that secure the bracket, see Diagram 13. Note the bracket can be accessed by tilting the appliance. Take care to support.



- 3b.4 Position the plinth on the hearth in the correct position and mark the fixing points, see Diagram 14.

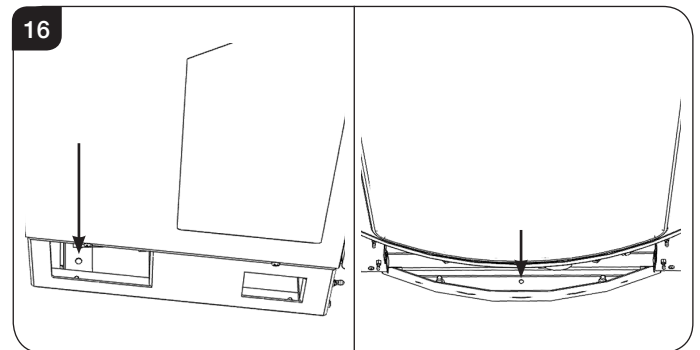


- 3b.5 Remove the plinth and drill the fixing holes.
3b.6 Position the plinth and place the mounting bracket in position on top.
3b.7 Secure with the screws and rawl plugs provided.
3b.8 Remove the 2 side screws, see Diagram 15.



- 3b.9 Pull the front of the side panels away from the appliance and slide backwards to disengage the back tabs, see Diagram 15.

- 3b.10 The anchor points for the sides and the front can now be accessed, see Diagram 16.

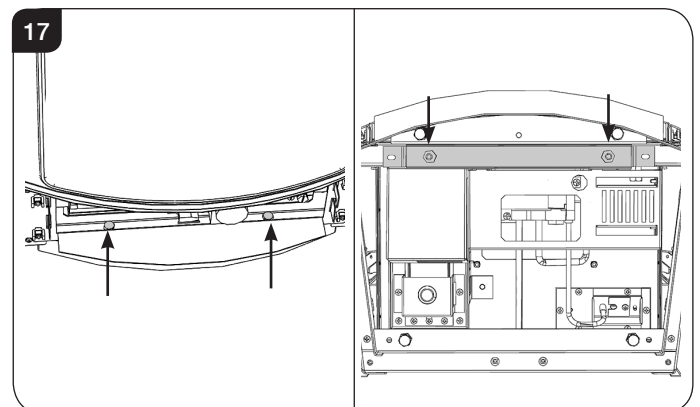


- 3b.11 Position the appliance on the plinth and secure down through the holes with the screws provided.
NOTE: If fitting with a stone plinth it will be necessary to place the screw threads in the fixing holes in the stone and apply felt pads to the underside before siting the appliance.

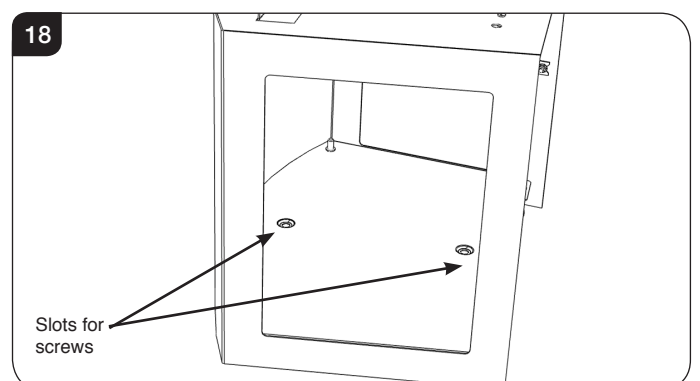
3C. Base Section fixing

- 3c.1 To fix to a hearth with a Base Section and leveling feet, first remove the mounting bracket from beneath the appliance.
3c.2 Remove the lower front panel to access the bolts that secure the bracket, see Diagram 17. Note the bracket can be accessed by tilting the appliance. Take care to support.

Remove the levelling feet - the bolts are used to secure the appliance to the Base Section.

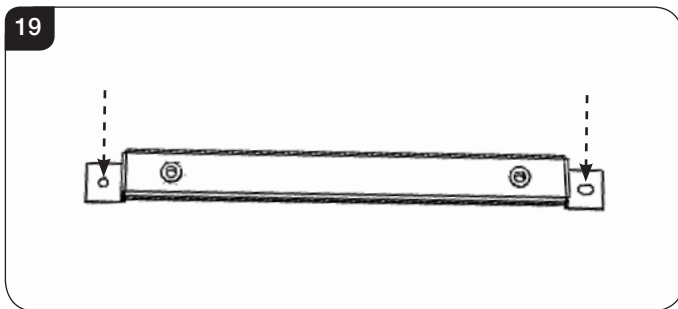


- 3c.3 Position the Base Section where required and mark the holes to drill for the screws, see Diagram 18.



Installation Instructions

- 3c.4 Remove the Base Section and line the guide hole up with the corresponding holes on the fixing bracket. Mark the fixing bracket holes, see Diagram 19.



- 3c.5 Drill the fixing bracket holes and insert the rawl plugs into the guide holes.
- 3c.6 Reposition the Base Section and use the wood screws in the fixing kit supplied for hearth mounting installations to secure in place.
- 3c.7 Position the appliance on the Base Section and secure down through the holes for the leveling feet with the screws provided.
NOTE: If fitting with a stone Base Section it will be necessary to place the screw threads in the fixing holes in the stone and apply felt pads to the underside before siting the appliance.

4. Installation of the Appliance



IMPORTANT: THE OUTER PANNELLING OF THE GAZCO LOFT IS MADE FROM CAST IRON. USE CAUTION WHEN INSTALLING, REMOVING AND STORING AS THE COMPONENTS ARE HEAVY AND SHOULD BE HANDLED CAREFULLY.

Without a Top Box

- 4.1 Ensure the flue is in the correct configuration, see Section 3.

Top Exit only

- 4.2 Refit the cast top or place the decorative stone top on the appliance. The weight should hold the top in place.

Rear Exit only

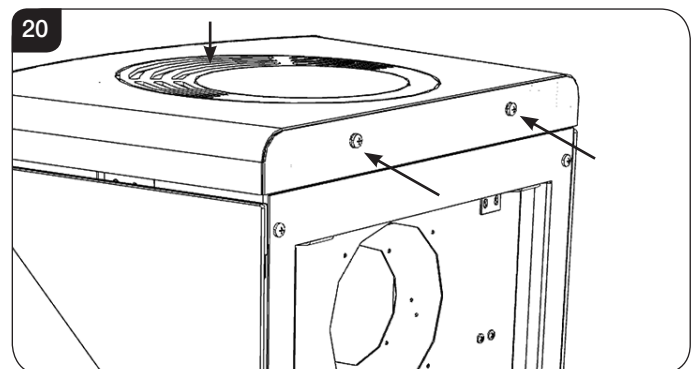
- 4.3 Refit the cast top with the blanking plate attached, see Section 2.
The spigot should be fitted to the rear of the appliance.

Top Box Section

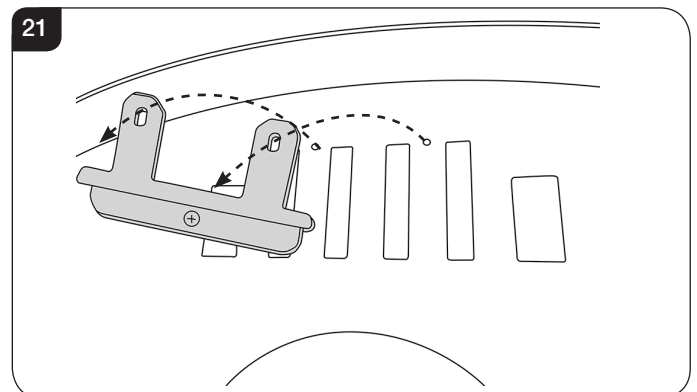
All Flue Installation types

Note: Installation is easier with the door removed - see Section 8.

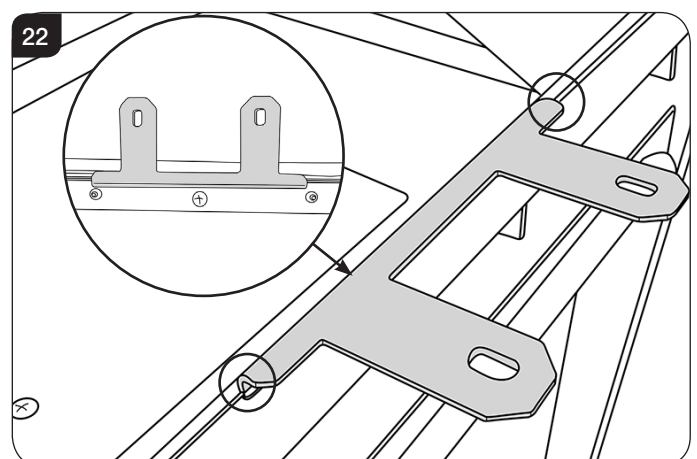
- 4.4 Remove the decorative flue collar, place carefully to one side as this will need to be refitted to the Top Extension Section.
- 4.5 Remove the 2 screws from the back of the top cast plate and the screw under the grill, see Diagram 20.



- 4.6 Remove the flue insert and cast top plate.
- 4.7 Remove the Top Box Section fixing bracket from the underside of the Top Section Box, see Diagram 21.

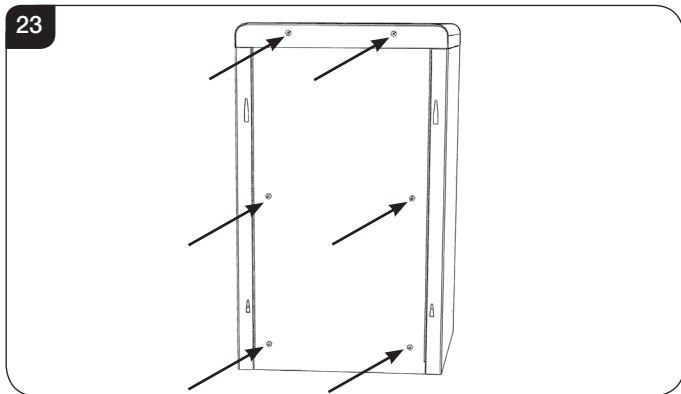


- 4.8 Fix bracket in the groove on the top of the appliance and secure with a screw, see Diagram 22.

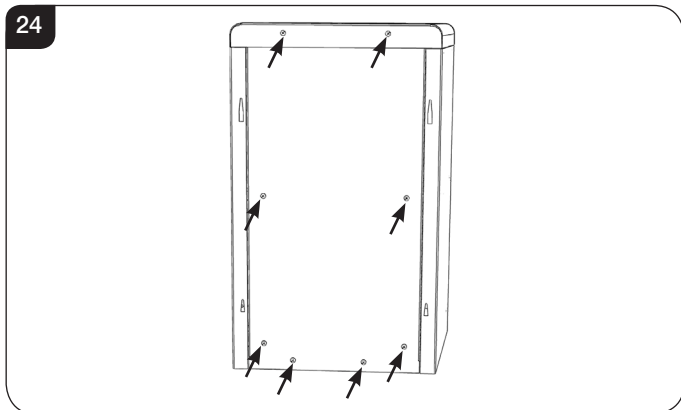


Installation Instructions

- 4.9 Remove the 6 screws at the rear of the Top Box Section to remove the back panel, see Diagram 23.



- 4.10 Lift the Top Box Section onto the appliance, ensuring the sides are flush with the back of the appliance.
- 4.11 Secure at the front of the fire by with 2 screws up through the fixing bracket and into the Top Box Section.
- 4.12 Replace the back panel of the Top Box, secure with 6 screws previously removed and 2 screws through the fixing holes at the back of the appliance which were used for the cast top, see Diagram 24.



Top Exit only

- 4.13 Refit the decorative flue collar.

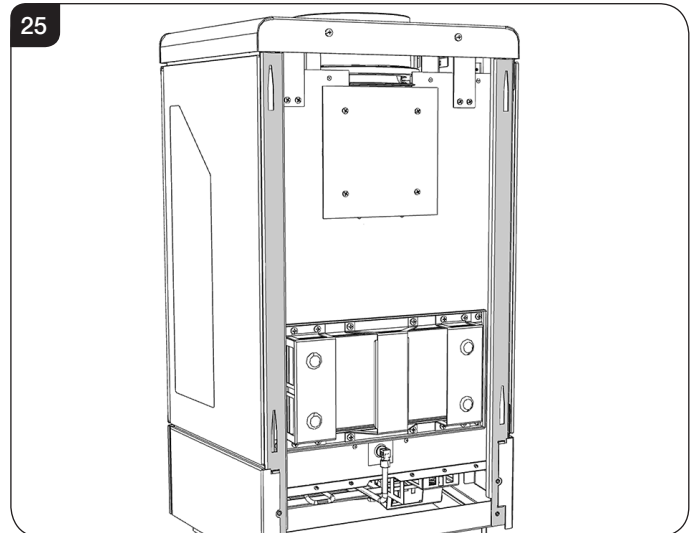
Rear Exit only

- 4.14 Refit the decorative flue collar with the blanking plate attached, the spigot should be fitted to the rear of the appliance.

5. Securing the Appliance to the Wall

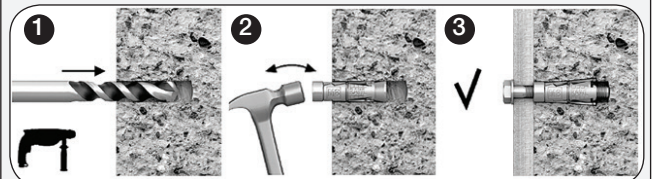
Wall Mounted Models only

- 5.1 The Loft is secure to the wall with the use of an optional Wall Mounting kit. Part No. 948-191.
- 5.2 Fit the mounting bracket to the wall as detailed then the appliance hangs on the bracket using the slots on the rear, see Diagram 25.



WARNING: This appliance weighs 62kg. The manufacturer has designed this appliance to attach to a masonry wall and all fixings supplied reflect this. If siting on a studwork wall, the fixing points must be through the timber stud and not plasterboard. Use appropriate fixings. **DO NOT** attach solely to a plasterboard wall.

The fixings supplied for the Wall Mounted Kit are R-RBL Rawlbolts and should be fitted in the method described below.

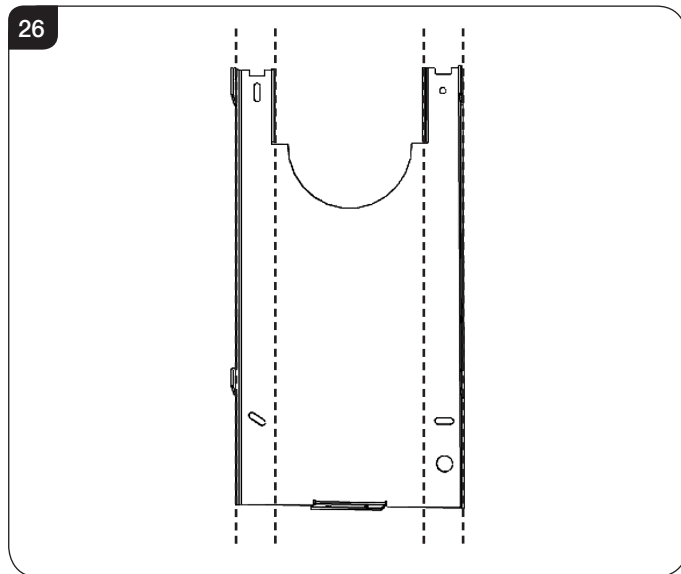


Ensure a minimum substrate thickness of 100mm.

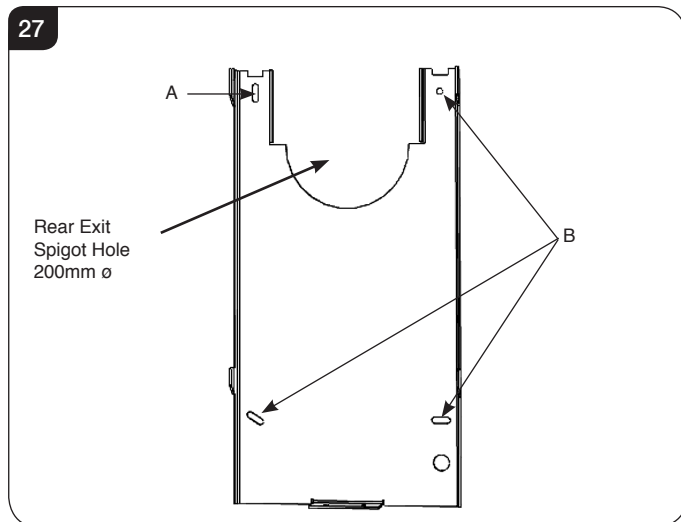
1. Drill a hole - Diameter: 14mm x Depth: 65mm.
Note: When fixing into brickwork, mortar joints should be avoided
Remove debris and thoroughly clean hole with brush and pump
2. Remove pre-assembled bolt and washer. Insert shield into hole and tap home with hammer until flush with surface
3. Insert bolt with washer through fixture into the shield
Tighten to 15Nm torque.

Installation Instructions

- 5.3 If installing on a studwork wall it is essential that the battens are located in the fixing area for the wall mounting bracket, see Diagram 26.



- 5.4 Position the wall mounting bracket in the required location, see Diagram 8, Page 18.
- 5.5 Mark and drill the top left hand fixing hole.
- 5.6 Secure with a screw, see Diagram 27, arrow A. Do not tighten at this point.



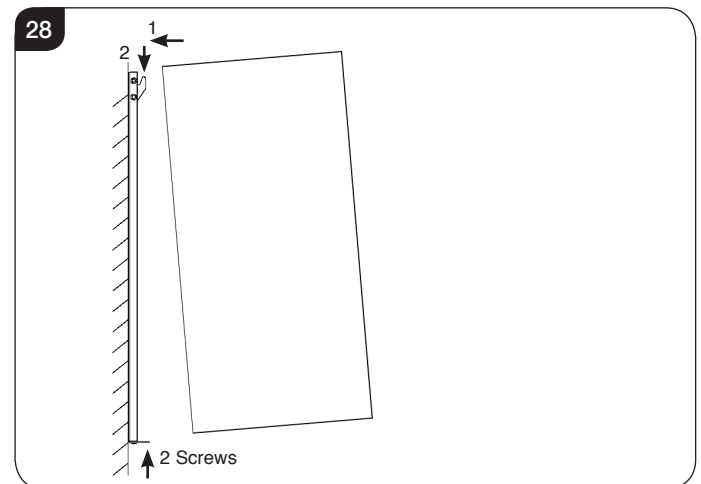
Without a Top Box

- 5.7 Level the wall mounting bracket and mark the remaining 3 holes, see Diagram 27, arrow B.
- 5.8 Remove the wall mounting bracket and drill the fixing holes.
- 5.9 Cut a hole for the flue exit (see Section 6a. Flue Assembly for details).
- 5.10 Replace the wall mounting bracket and secure with the screws. Do not tighten at this point.
- 5.11 Level the wall mounting bracket, adjusting if necessary. Tighten the 4 screws.

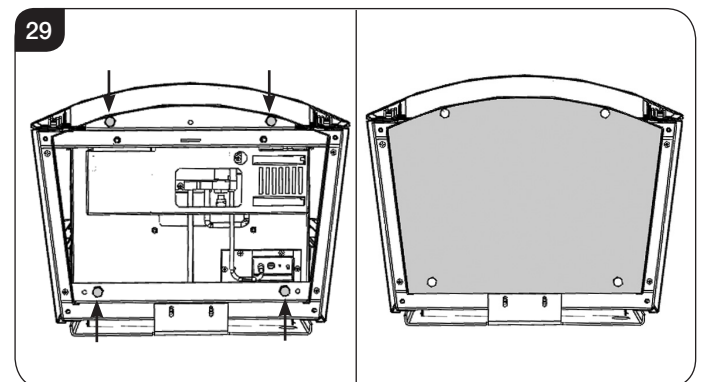


WARNING: This appliance is heavy and should be handled with care. Two people must be used to lift this appliance.

- 5.12 Hook the top of the bracket under the top of the carcass at an angle and lower gently into position. Ensure that the bracket is fully engaged, see Diagram 28.



- 5.13 Secure through the base of the bracket from underneath with the 2 screws provided, see Diagram 28.
- 5.14 Remove the leveling from the base and use them to secure the base plate, see Diagram 29.



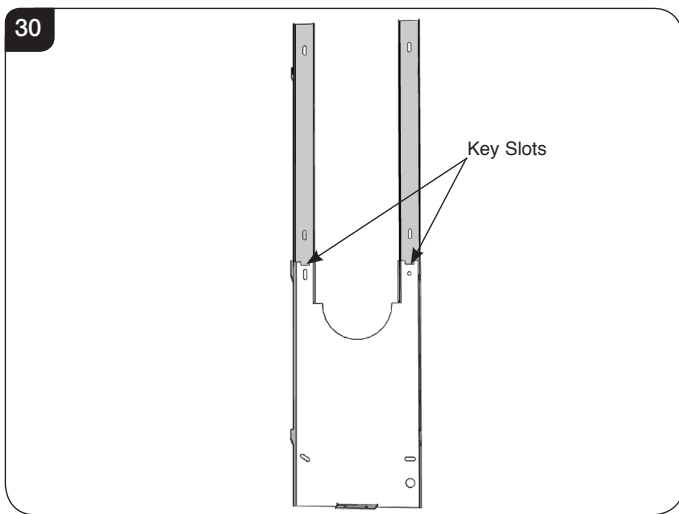
IMPORTANT: If it is required to access the rear explosion relief for servicing the appliance must first be removed from the wall.

Installation Instructions

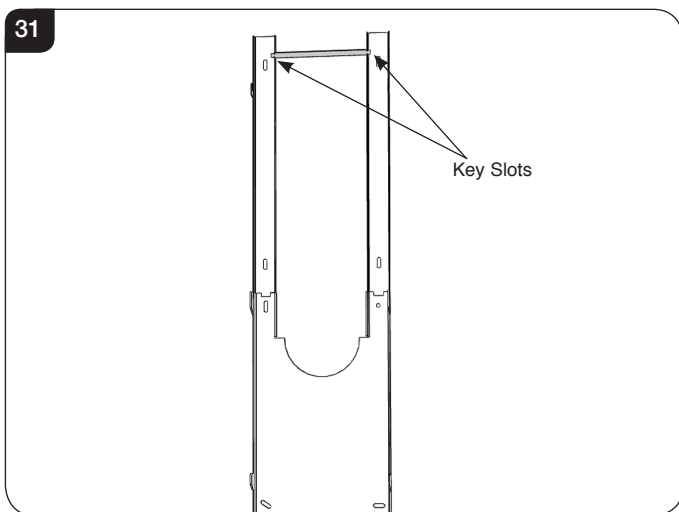
Top Box Section

Note: Installation is easier with the door removed - see Section 8.

- 5.15 Secure the Mounting bracket to the wall as described in Section 5.3 - 5.6. Do not hang the appliance yet.
NOTE: Measure the desired height from the floor and ceiling to ensure there is room. Wall Mounted appliances must be a minimum of 100mm from the floor.
- 5.16 Level the wall mounting bracket, adjusting if necessary. Tighten the 4 screws.
- 5.17 Position the extension support brackets in position above the fixed wall mounting bracket, see Diagram 30.

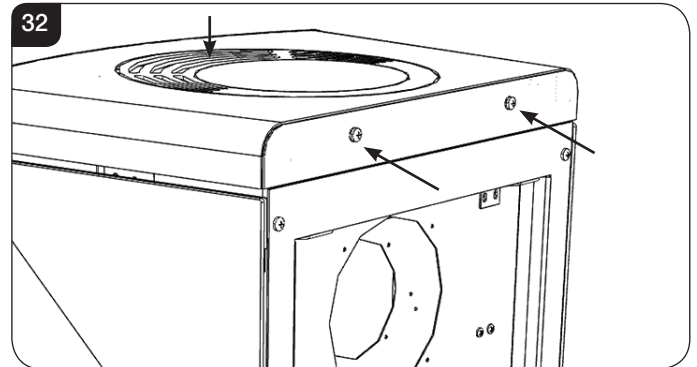


- 5.18 Use the central brace to ensure the side brackets are correctly spaced, see Diagram 31. The central brace has soft fold tabs to lock in position. Fold over to secure.



- 5.19 Mark the fixing holes, remove the brackets and drill the fixing holes.

- 5.20 Replace brackets and secure with the screws. Level the wall mounting brackets, adjusting if necessary. Tighten the 4 screws.
- 5.21 Remove the 2 screws from the back of the top cast plate and the screw under the grill, see Diagram 32.

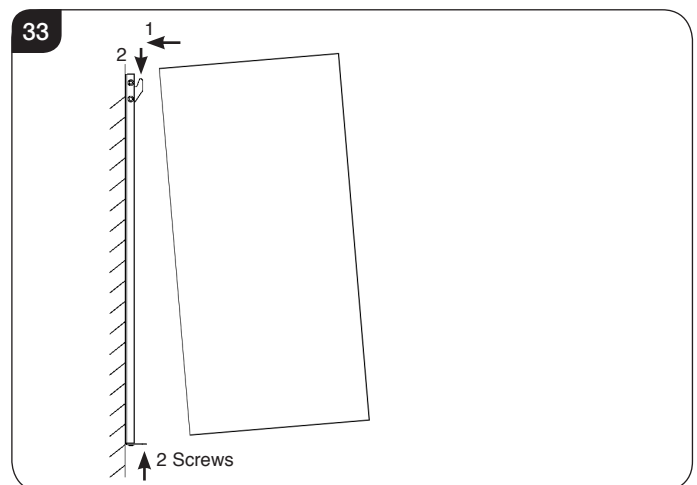


- 5.22 Remove the flue insert and cast top plate.



WARNING: This appliance is heavy and should be handled with care. Two people must be used to lift this appliance.

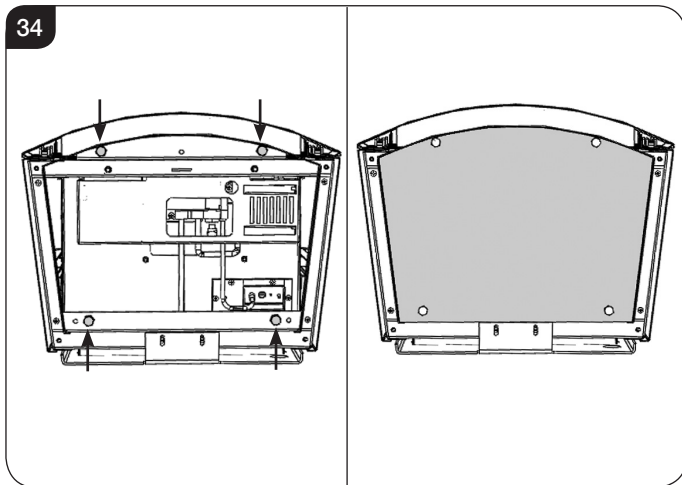
- 5.23 Hook the top of the bracket under the top of the carcass at an angle and lower gently into position. Ensure that the bracket is fully engaged, see Diagram 33.



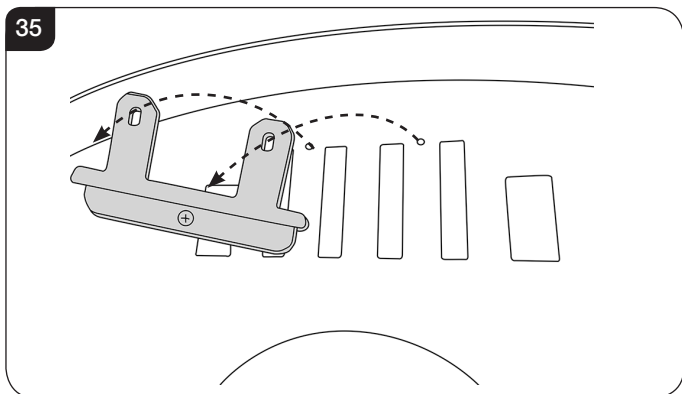
- 5.24 Secure through the base of the bracket from underneath with the 2 screws provided, see Diagram 33.

Installation Instructions

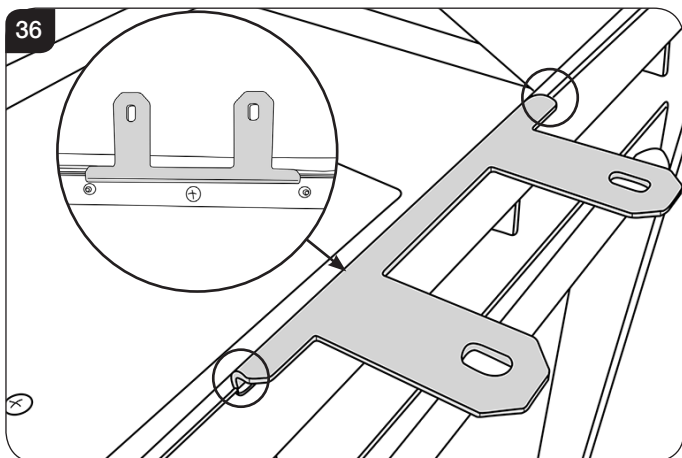
- 5.25 Remove the leveling feet from the base and use them to secure the base plate, see Diagram 34.



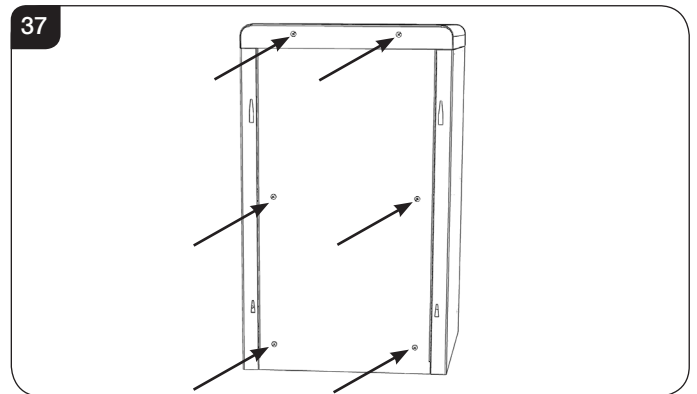
- 5.26 If using in conjunction with an Up and Out Flue kit fit the flue system now, see Section 6.
- 5.27 Remove the Top Box Section fixing bracket from the underside of the Top Section Box, see Diagram 35.



- 5.28 Fix bracket in the groove on the top of the appliance and secure with a screw, see Diagram 36.



- 5.29 Remove the 6 screws at the rear of the Top Box Section to remove the back panel, see Diagram 37.



- 5.30 Lift the Top Box Section onto the appliance and hook onto the extension bracket, ensuring the sides are flush with the back of the appliance.
- 5.31 Secure at the front of the fire by with 2 screws up through the fixing bracket and into the Top Box Section.

There is no need to replace the back panel on the Top Extension Section.



IMPORTANT: If it is required to access the rear explosion relief for servicing the appliance must first be removed from the wall.

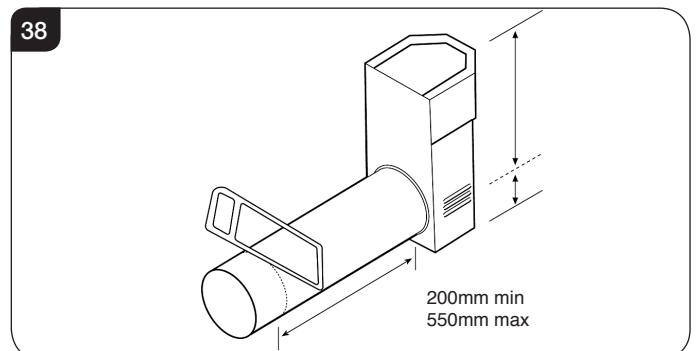
6. Flue Assembly

- 6.1 Refer to **Site Requirements** page 14 onward.

6a. Rear EXIT - Horizontal flue

Flue Length

- 6.2 **Wall Mounted Models:** Measure the total wall thickness and add 25mm.
- 6.3 **Other Models:** Measure the total wall thickness and add 75mm.
The total flue length gives a minimum clearance of 50mm between the rear of the appliance and the wall.
- 6.4 Insert the square cardboard sleeve into the flue to support the inner tube.
- 6.5 Cut through the flue and sleeve, see Diagram 38.



Installation Instructions

6.6 REMOVE THE CARDBOARD REMNANTS FROM THE FLUE.

6.7 File the cut edges smooth.

Wall Mounted Bracket only

6.8 Using the wall mounting bracket as a template, cut a 200mm \varnothing hole on the internal wall only, see Installation Section 6.

6.9 Cut a 150mm hole on the outer wall for the terminal exit.

6.10 The Wall Mounted Kit is supplied with a protective sleeve for the flue. This can be rolled to fit through the hole in the internal wall.

6.11 Feed the sleeve through the hole in the internal wall. This will expand in the cavity to protect the flue from debris etc.

6.12 Fit the flue as detailed, see 6.13.

All Models

Terminal

On the outside wall:

6.13 Position the flue assembly into the hole. The terminal should be flat against the wall.

6.14 Make sure the terminal is vertical, see Diagram 39.

6.15 Mark the four fixing holes.

6.16 Remove the terminal to drill the holes.

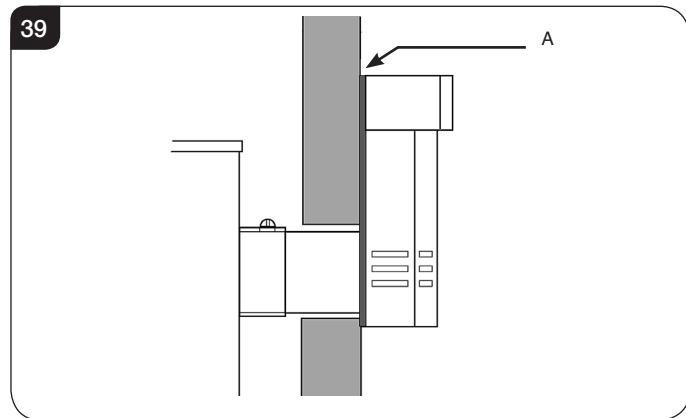
6.17 Insert wall plugs supplied.

DO NOT FIX THE FLUE AT THIS STAGE.

Flue and Appliance Fixings

6.18 Position the appliance observing appropriate clearances.

6.19 Apply a bead of suitable weatherproof sealant (silicone or similar) to perimeter of back face of terminal, see Diagram 39.



6.20 Feed the flue through the wall, making sure it runs smoothly.

On the inside wall:

6.21 Engage the flue in the inner and outer spigots.

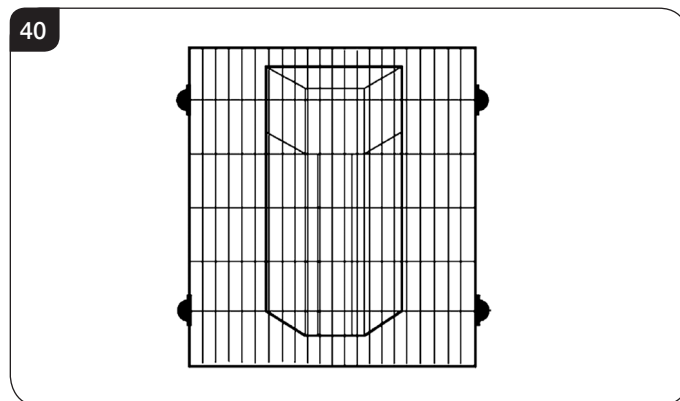
6.22 Make sure rubber seals on the spigots are not damaged.

From outside:

6.23 Insert four screws in the flanges of the flue terminal.

6.24 Check sealant has formed a water-tight joint to the wall.

6.25 Any terminal less than 2m above any access (level ground, balcony or flat roof with access) must be fitted with the guard supplied, see Diagram 40.



6b. Top Exit - Up & Out

ENSURE THE BLACK DECORATIVE TOP AND COLLAR ARE FITTED TO THE TOP OF THE APPLIANCE PRIOR TO INSTALLATION OF A TOP FLUE EXIT. THIS MUST BE POSITIONED BEFORE INSTALLING THE FLUE.

A restrictor may be required with top exit flues. See Technical Specification on page 13 for restrictor sizes.

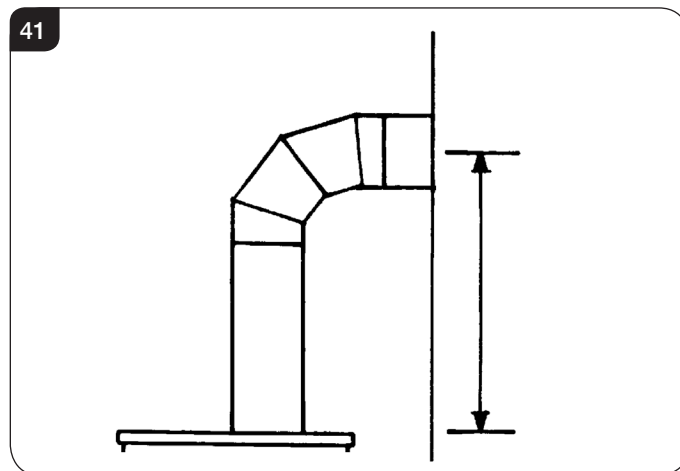
Wall Plate

6.26 A wall plate is supplied to secure the flue to the inside wall. Bend the securing tab to 90° and slot the plate over the flue before bringing the flue through the wall.

6.27 Mark the fixing holes using the wall plate as a template. The tab can be above or beneath the flue, see Diagram 40.

Flue Aperture

6.28 Mark the height from the top of the appliance to the centre of the horizontal section, see Diagram 41.



Installation Instructions

6.29 **TAKE CARE TO MARK OUT THE FLUE CORRECTLY. IT IS DIFFICULT TO MOVE AFTER INSTALLATION.**

6.30 Create a 152mm (6") diameter hole for the flue using either:
a) a core drill, or
b) a hammer and chisel

6.31 Make good at both ends of the hole.

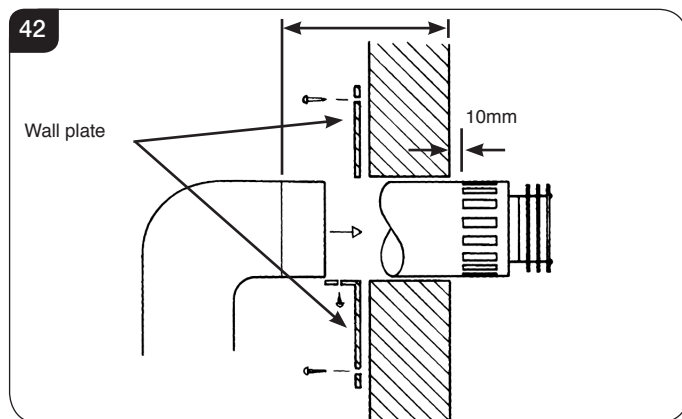
Flue Length

6.32 The final length of the flue pipe includes the terminal. The terminal is the only section that can be shortened.

DO NOT SHORTEN ANY OTHER SECTION OF FLUE PIPE.

6.33 Measure from the outside of the wall to the stop on the 90° elbow.

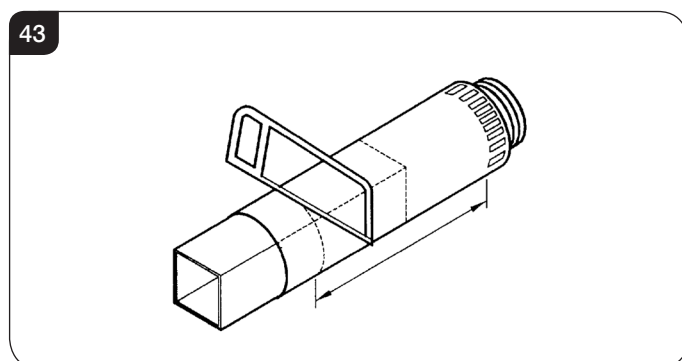
6.34 Fit horizontal flue section between the elbow and the terminal at this stage, if required, see Diagram 42.



6.35 Mark the correct length all the way around the flue terminal section, see Diagram 43.

6.36 Insert the square cardboard sleeve into the flue to support the inner tube.

6.37 Cut through the flue and sleeve, see Diagram 43.



6.38 **REMOVE THE CARDBOARD REMNANTS FROM THE FLUE.**

6.39 File the cut edge smooth.

Flue and Appliance Fixings

6.40 Pull appliance and flue assembly away from the hearth.

6.41 Drill 4 fixing holes for the wall plate and insert wall plugs supplied.

6.42 Put the horizontal flue onto the elbow and reposition the appliance.

6.43 Check the flue runs smoothly through the wall.

6.44 Fix the wall plate to the wall using the 4 black screws provided.

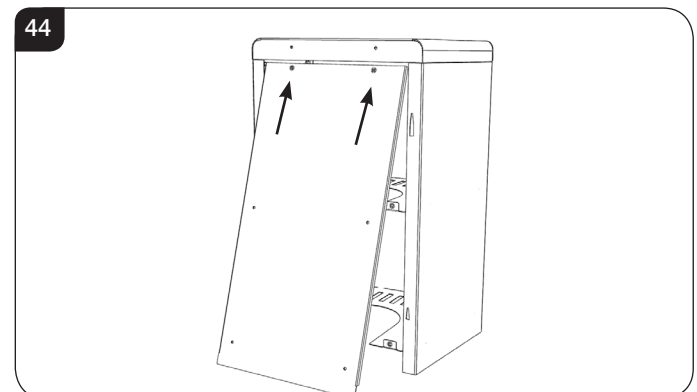
6.45 Drill through the fixing tab of the wall plate using a 3.5mm drill.

6.46 Secure with the screw provided.

6.47 Make good and weatherproof around the outside of the flue.

6.48 Replace the Top Extension Section back panel:

Locate the back panel under the top of the Top Extension Section and position so it sits flush with the casting.



6.49 Secure with the screws previously removed.

Installation Instructions

6c. Top Exit – Vertical Flue

Not suitable for a Wall Mounted appliance fitted with a Top Extension Section

6.50 Where a vertical only flue system has been purchased, refer to Installation & Instructions, Site Requirements, Section 3D.

6.51 Pay careful attention to the following:

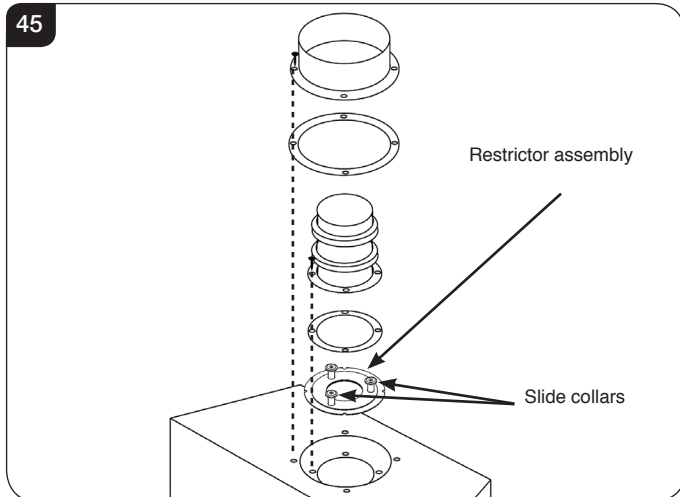
- Terminal positions
- Flue supports
- Weatherproofing
- Fire precautions

6.52 Local and national codes of practice must be followed for all the above.

6.53 **A restrictor must be fitted with vertical flues. See Technical Specification on page 13 for restrictor sizes.**

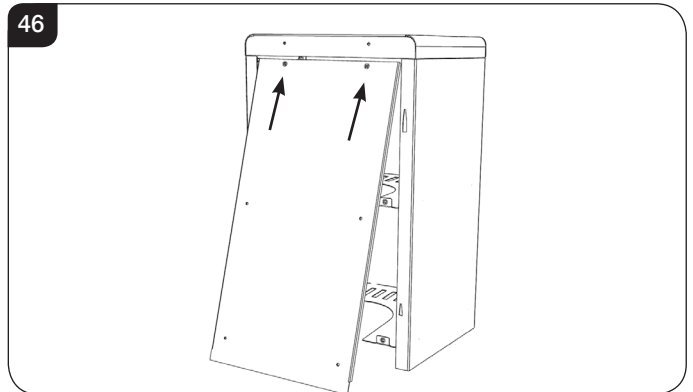
PLEASE NOTE: When installing the appliance in conjunction with a vertical termination kit, there is a unique kit for use with this appliance (Gazco Part No. 999-539). This kit differs in that it has restrictors with sliding plates. Please ensure you have the correct kit before proceeding with the installation.

6.54 It is important that the sliding restrictor assembly is used. The restrictor assembly must be fitted with the slide collars uppermost and the top restrictor plate must be checked to ensure it moves freely before the flue is fitted.



6.55 Replace the Top Box Section back panel:
Note: The back panel is not replaced in a Wall Mounted installation when a Top Box Section is fitted.

Locate the back panel under the top of the Top Box Section and position so it sits flush with the casting.

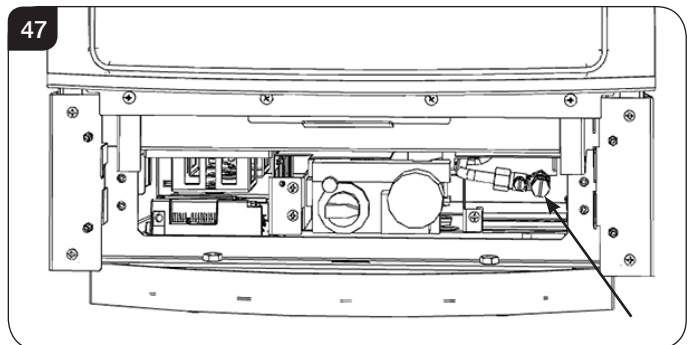


6.56 Secure with the 2 screws previously removed.

7. Gas Soundness Pressure Check

This is essential to expel any debris that may block the gas controls.

7.1 Connect the gas to the 8mm elbow on the rear of the appliance, see Diagram 47.



7.2 Connect a suitable pressure gauge to the test point located on the inlet fitting and turn the gas supply on. Light the appliance and check all gas joints for possible leaks. Turn the appliance to maximum and check that the supply pressure is as stated on the databadge. Turn the gas off and replace the test point screw, turn the gas on and check the test point for leaks.

Installation Instructions

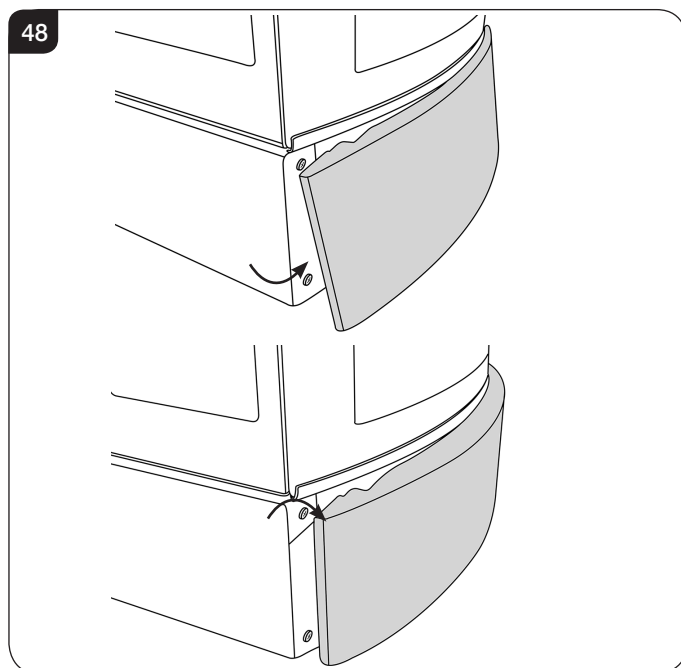
8. Removing the Glass Door



IMPORTANT: THE OUTER PANNELLING OF THE GAZCO LOFT IS MADE FROM CAST IRON. USE CAUTION WHEN INSTALLING, REMOVING AND STORING AS THE COMPONENTS ARE HEAVY AND SHOULD BE HANDLED CAREFULLY.

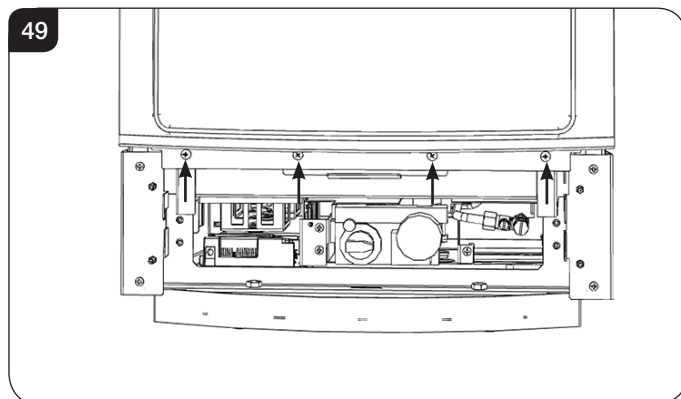
8.1 Remove the plinth to access the controls:

1. Pull the lower section of the plinth forward to release from the studs.
2. Lift the top section and tilt forward to clear the hooks and slots on the front of the appliance, see Diagram 48.



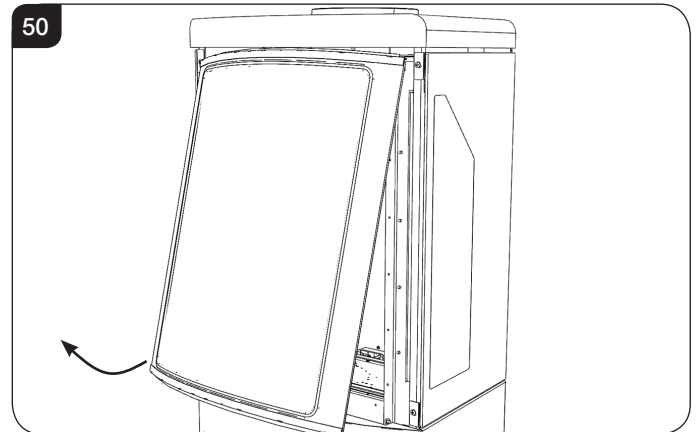
The glass door will need to be removed to gain access to the fuel effect.

8.2 Remove the 4 screws, see Diagram 49.



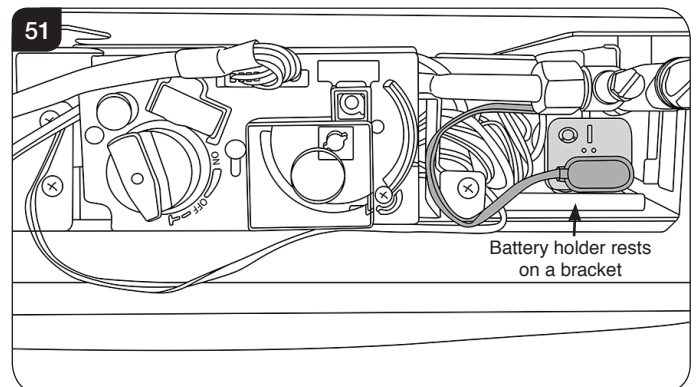
8.3 Lift the glass door slightly and angle the bottom away from the appliance. Lower the glass door to disengage the top hooks from the appliance, see Diagram 50.

NOTE: SUPPORT DOOR WHEN REMOVING.



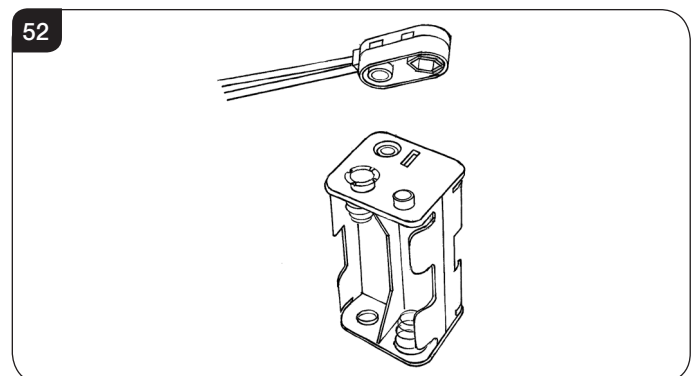
9. Battery Installation

9.1 The appliance batteries are located on a bracket located behind the lower plinth, see Diagram 51. To remove the plinth see Section 8.



9.2 Unclip the battery holder from the connector.

9.3 Correctly position the 4 new AA size batteries into the battery holder. Re-assemble the battery holder as shown in Diagram 52.



9.4 Replace the battery holder.

Installation Instructions

i It is essential to use high quality batteries (Duracell or equivalent) when replacing batteries in the handset or control box.

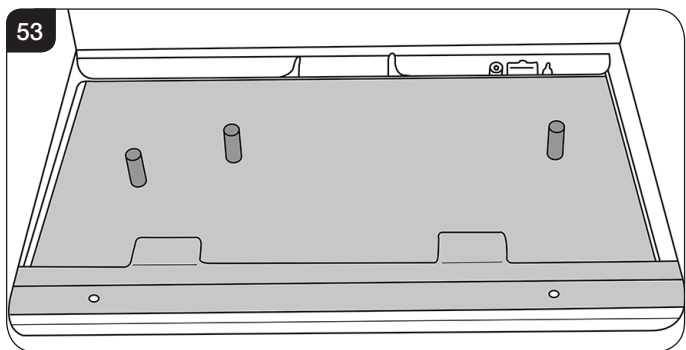
! PLEASE ENSURE NO WIRES ARE TRAPPED BEFORE REPLACING THE PLINTH. THE LEAD IS EASILY DAMAGED.

10. Log Layout

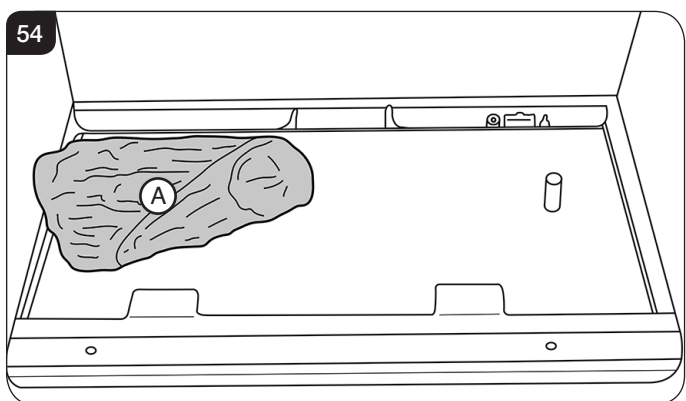
LOGS MUST BE POSITIONED ACCORDING TO THE FOLLOWING INSTRUCTIONS TO GIVE THE CORRECT FLAME EFFECT.

All logs can be identified by a letter (A - D) on their underside. Logs A and B have holes to locate each onto a burner stud.

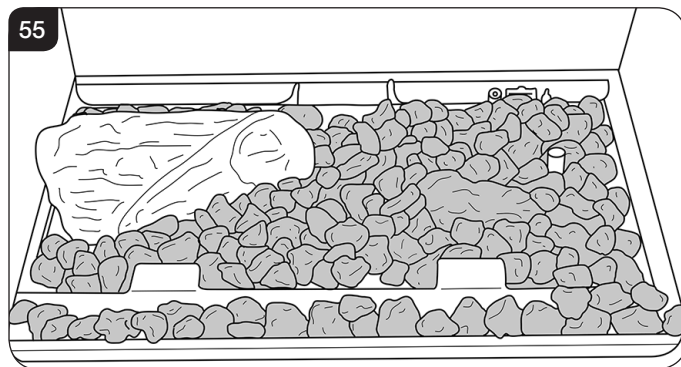
10.1 Ensure the burner tray is clean and free from any debris, see Diagram 53.



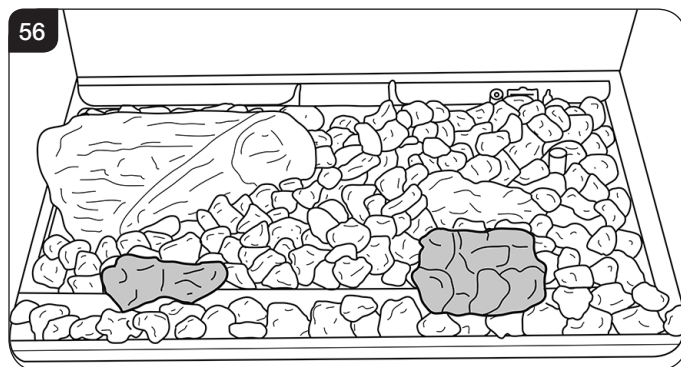
10.2 Place Log A in position on the 2 locating pins, see Diagram 54.



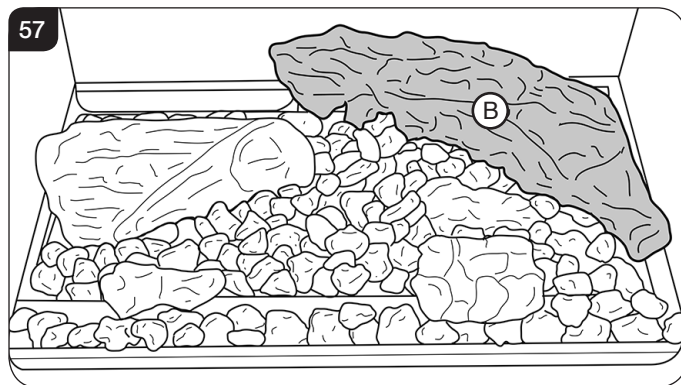
10.3 Spread the Lava Rock evenly over the fuel bed and around Log A, see Diagram 55.



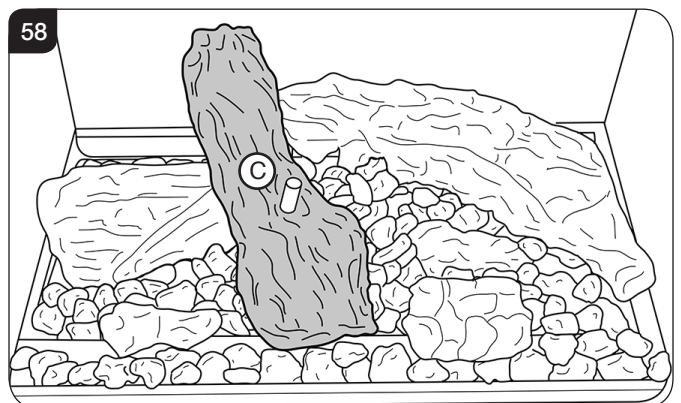
10.4 Position the 2 embers on the lip at the front of the fuel bed, see Diagram 56.



10.5 Log B is positioned on the right hand locating pin, and rests against the back liner, see Diagram 57.

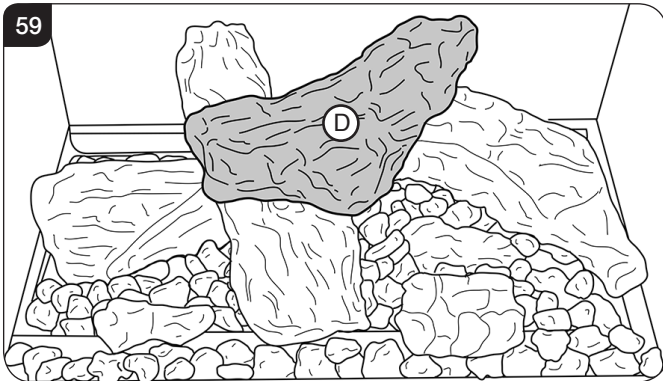


10.6 Log C rests on Log A and the front tray with the locating pin facing up, see Diagram 58.

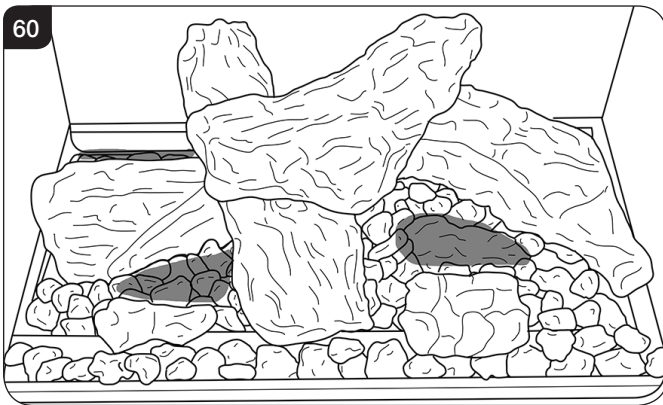


Installation Instructions

- 10.7 Log D fits onto the locating pin and rests on Log B, see Diagram 59.

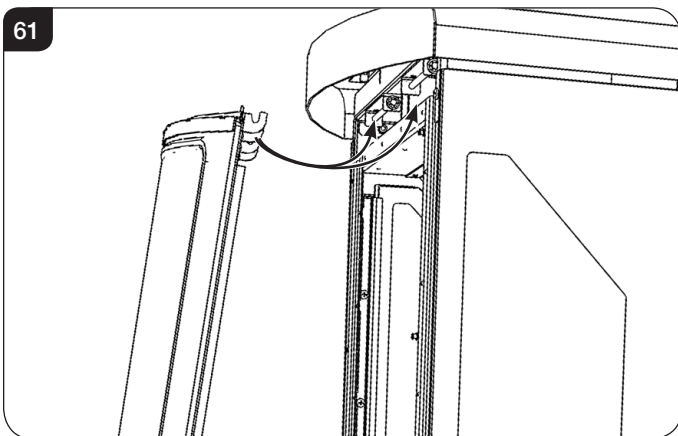


- 10.8 Sparingly spread an amount of the Embaglow fibres provided on the sections highlighted, see Diagram 60. Take care not to use more than half a packet per application.



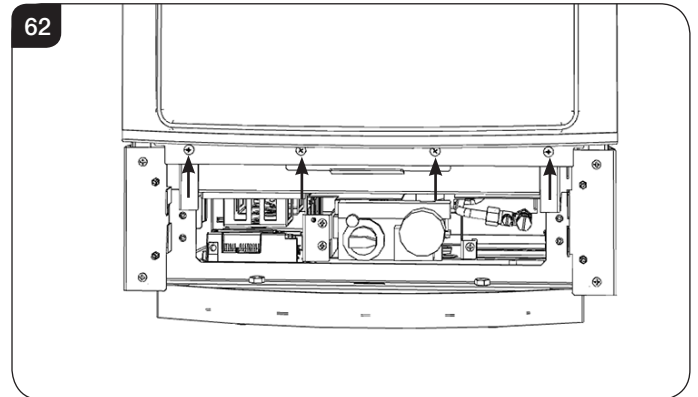
11. Completion of Assembly

- 11.1 Angle the top of the glass door towards the appliance and locate the top hooks into the bars of the appliance, see Diagram 61.



- 11.2 Push the base of the glass door against the appliance and lower.

- 11.3 Secure the base of the glass door with the 4 screws previously removed, see Diagram 62.

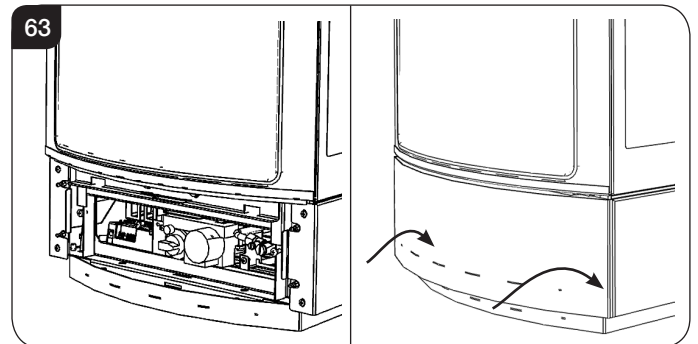


- 11.4 Replace ALL of the securing screws, ensuring that a screw is present in all fixing slots.



UNDER NO CIRCUMSTANCES SHOULD THE APPLIANCE BE USED IF ANY OF THE GLASS FRAME RETAINING SCREWS ARE LOOSE OR MISSING.

- 11.5 Fit the cast access panel by locating the hooks on the pins on the front of the appliance, see Diagram 63.



Installation Instructions

12. Lighting the Appliance

The appliance is operated by thermostatic remote control.

64



This remote controls the appliance from pilot ignition through to shut down.

In 'MANUAL MODE' you can:

- light the pilot
- turn on the main burner
- regulate the flame from low to high and back
- turn off the burner leaving just the pilot burning

In 'TEMP MODE' you can:

- set the room temperature so the stove automatically maintains that temperature

In 'TIMER MODE' the appliance:

- turns on and off according to the set time periods
- automatically regulates the room temperature during the set periods

12.1 Turning the appliance On

Your remote can control the gas appliance from pilot ignition through to shut down.

To turn the appliance on press the OFF button and the UP button simultaneously. You hear several short signals.

The pilot and main burner ignite and the remote is now in Manual Mode:

Turning the appliance Off:

Press the OFF button to turn the appliance off.
FOR SAFETY, YOU MUST WAIT 30 SECONDS BEFORE LIGHTING THE APPLIANCE AGAIN.

i **IMPORTANT: YELLOW FLAMES TYPICALLY APPEAR WHEN THE APPLIANCE HAS REACHED NORMAL OPERATING TEMPERATURE. THIS CAN TAKE UP TO 30 MINUTES.**

! **WARNING: IF THE APPLIANCE FAILS TO LIGHT OR BECOMES EXTINGUISHED IN USE, WAIT 3 MINUTES BEFORE ATTEMPTING TO RELIGHT.**

FOR FULL OPERATING INSTRUCTIONS AND TROUBLESHOOTING SEE USER SECTION.

Troubleshooting



IMPORTANT: In the unlikely event that the handset fails to communicate correctly with the appliance it may be necessary to turn off the gas supply at the isolation valve until any problems can be resolved.

The gas meter and isolation valve can be located outside in a meter box, under the stairs, beneath the kitchen sink or in the garage. Whilst this list is not exhaustive, it is important to be able to identify the location of the valve in case of any gas emergency.

To turn off the gas supply, simply turn the handle so the lever is at 90 degrees to the upright gas pipe.

If you smell gas, open doors and windows and never operate any electrical switches. Immediately call the Gas Emergency Services on 0800 111 999.

1. Commissioning the Appliance

- 1.1 Complete the Commissioning Checklist at the front of this manual covering:
 - Thermocouple soundness checks.
This is to include ensuring the thermocouple is secure on the pilot bracket assembly, lead connection and integrity.
 - Flue checks
 - Gas checks
 - Log/fuel effect layout - flame picture
- 1.2 Ensure all safety checks listed in the Commissioning Section are completed, paying particular attention to the glass panel checks and securing of the glass frame.
- 1.3 Upon completion of the commissioning and testing of the installation and correct operation of the appliance, the installer must instruct the user how to operate the appliance.
- 1.4 Guide the user through the User Instructions paying particular attention to:
 - a) Regular servicing (Section 8 of the User Instructions).
 - b) Ventilation (Section 9 of the User Instructions) - point out the ventilation positions where applicable.
 - c) Hot surfaces (Section 11 of the User Instructions).

Servicing Instructions

Servicing/Fault Finding Charts

1. Servicing Requirements

IMPORTANT – The glass panel on this appliance should be checked for any signs of damage on the front face of the glass panel (scratches, scores, cracks or other surface defects). If damage is observed, the glass panel must be replaced and the appliance must not be used until a replacement is installed. Under no circumstances should the appliance be used if any damage is observed. Please isolate the appliance until a replacement glass panel has been obtained and installed. Replacement glass panels can be purchased from Gazco via the retailer from which the appliance was purchased or any other Gazco distributor.

This appliance must be serviced at least once a year by a competent person.

All tests must be carried out in accordance with the current Gas Safe recommendations.

1.1 Before Testing:

- Conduct a gas soundness test for the property ensuring there are no leaks before servicing.
- Check the operation of the appliance before testing.

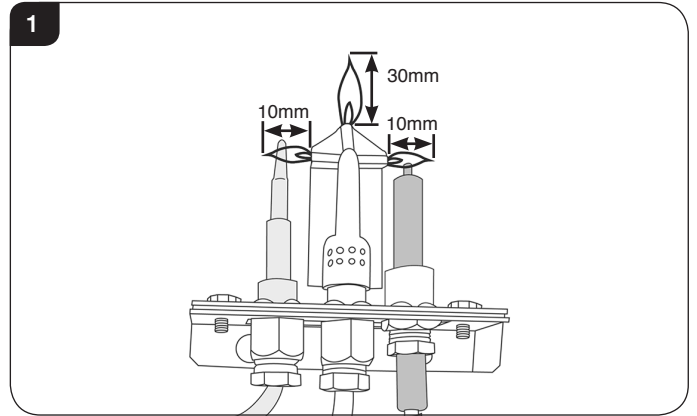
1.2 Special checks:

- Clean the burner using a vacuum cleaner with a soft brush attachment. Ensure all debris is removed from the burner ports.
- Clean away lint or fluff from the pilot.
- Clean away lint or fluff from under the burner.
- Check the spark gap on the pilot is correct.
- Ensure that the glass frame is secured correctly and that all retaining screws are in place.

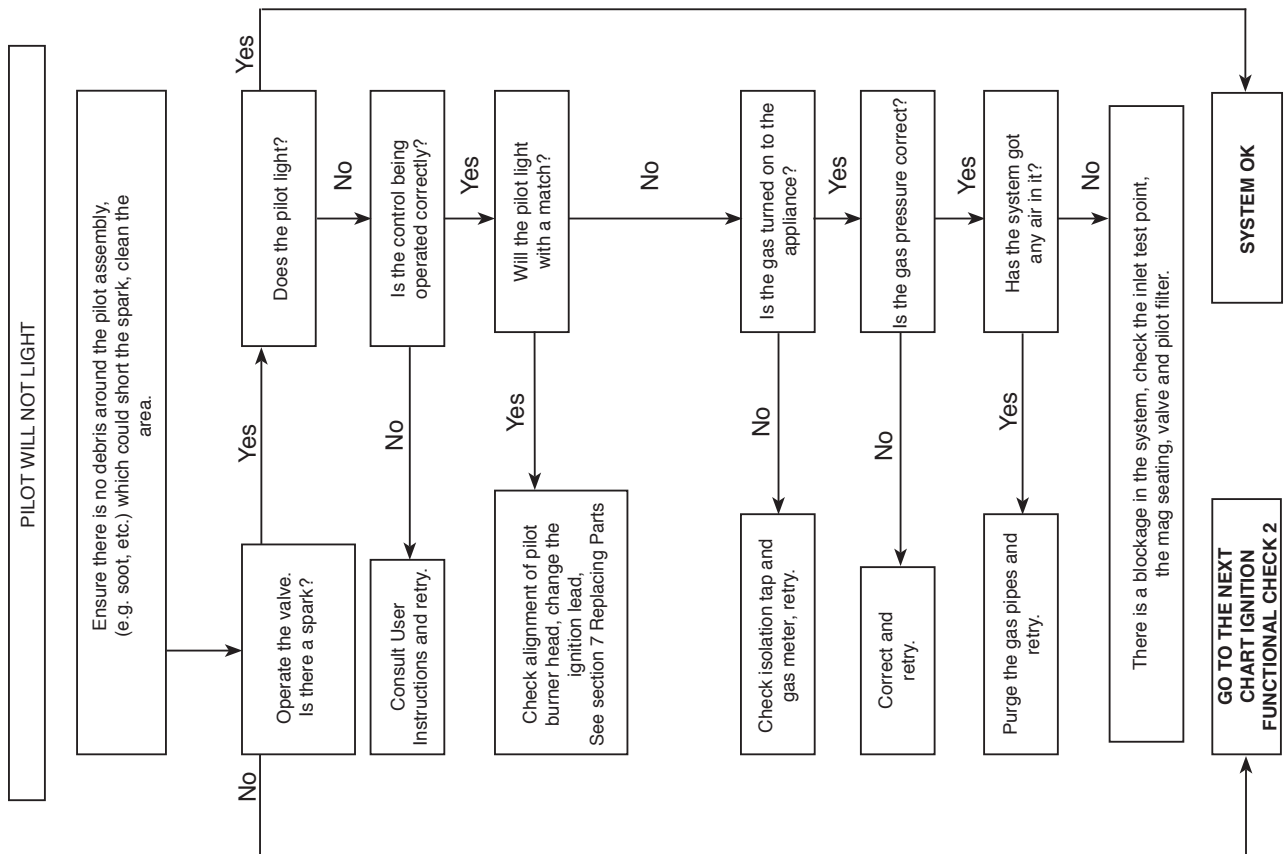
1.3 Correct any faults found during the initial test.

1.4 Re-commission the appliance in accordance with Commissioning Procedures.

1.5 Advise the customer of any remedial work undertaken.



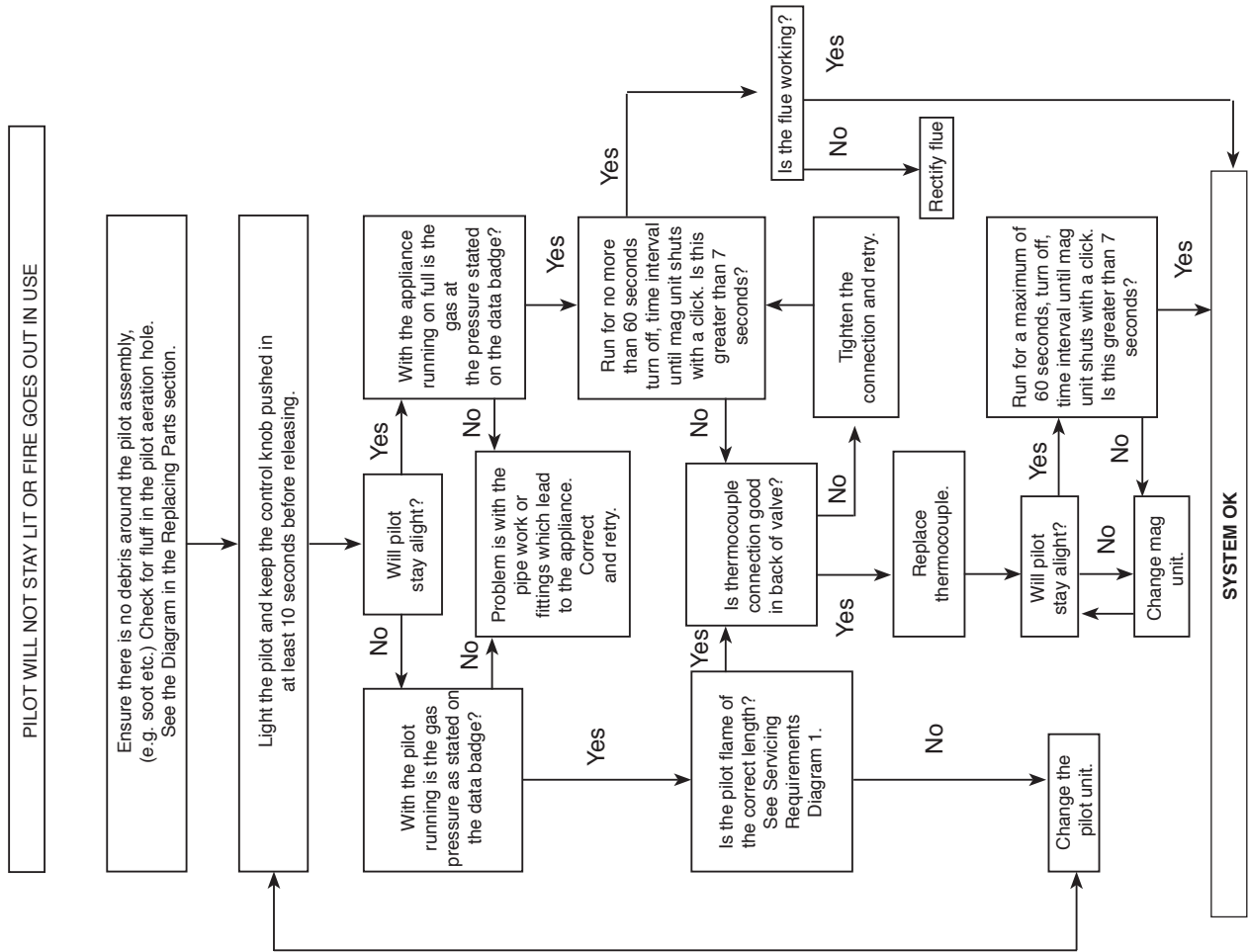
IGNITION FUNCTIONAL CHECK 1



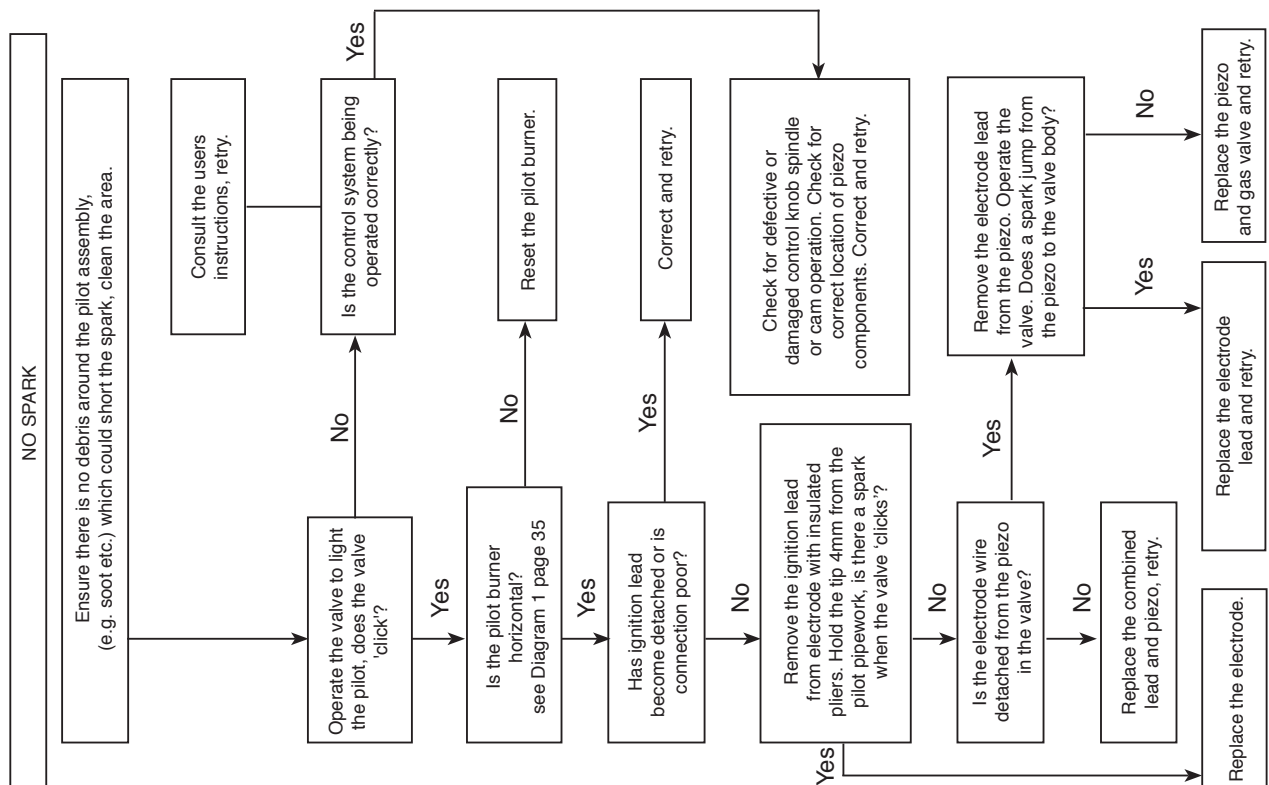
Servicing Instructions

Fault Finding Charts

FLAME FAILURE FUNCTIONAL CHECK 3



IGNITION FUNCTIONAL CHECK 2



Servicing Instructions - Replacing Parts

1. General

- 1.1 All main components can be replaced without removing the appliance from its installation.

IT IS ESSENTIAL THAT THE GAS SUPPLY TO THE APPLIANCE IS TURNED OFF AT THE ISOLATION DEVICE BEFORE PROCEEDING FURTHER.

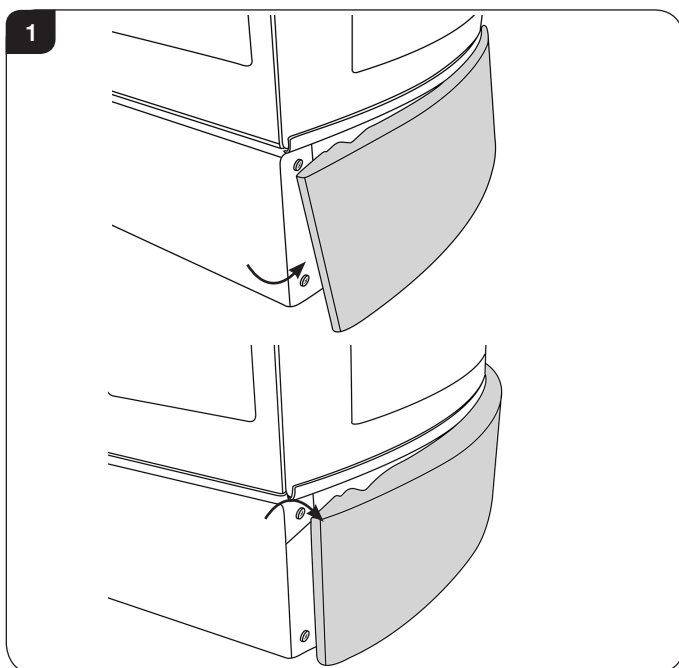
- 1.2 **Removal of Flue**
If, for any reason, the flue has to be removed from the appliance, the seal must be replaced in the inner spigot.

2. Removing the Glass Door



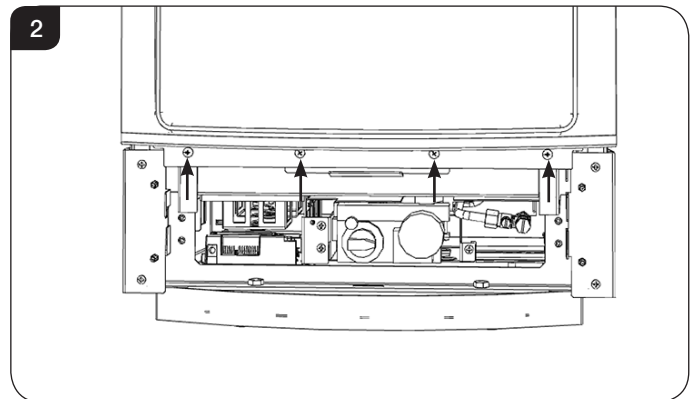
IMPORTANT: THE OUTER PANELLING OF THE GAZCO LOFT IS MADE FROM CAST IRON. USE CAUTION WHEN INSTALLING, REMOVING AND STORING AS THE COMPONENTS ARE HEAVY AND SHOULD BE HANDLED CAREFULLY.

- 2.1 Remove the plinth to access the controls:
1. Pull the lower section of the plinth forward to release from the studs.
 2. Lift the top section and tilt forward to clear the hooks and slots on the front of the appliance, see Diagram 1.

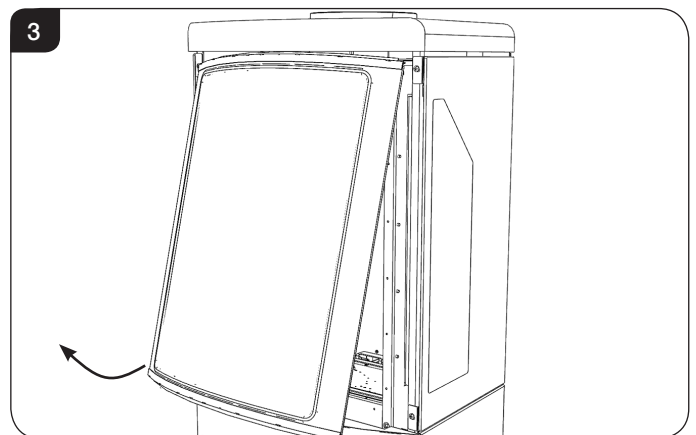


The glass door will need to be removed to gain access to the fuel effect.

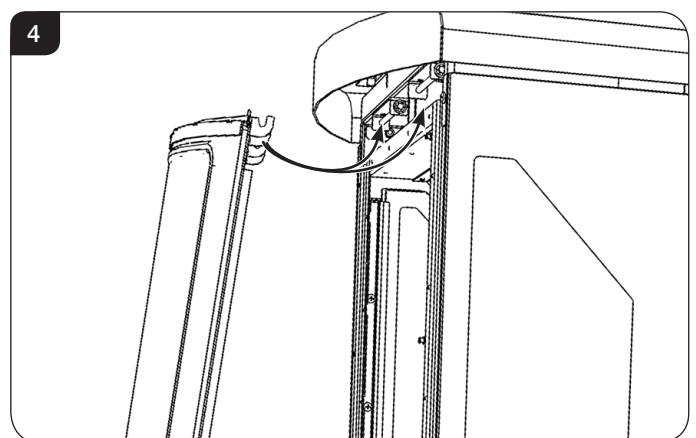
- 2.2 Remove the 4 screws, see Diagram 2.



- 2.3 Lift the glass door slightly and angle the bottom away from the appliance. Lower the glass door to disengage the top hooks from the appliance, see Diagram 3.
NOTE: SUPPORT DOOR WHEN REMOVING.



- 2.4 Place carefully to one side.
- 2.5 The glass door must be refitted to the appliance following cleaning or servicing.
- 2.6 Angle the top of the glass door towards the appliance and locate the top hooks into the bars of the appliance, see Diagram 4.



- 2.7 Push the base of the glass door against the appliance and lower.
- 2.8 Secure the base of the glass door with the 4 screws previously removed, see Diagram 2.

Servicing Instructions - Replacing Parts

- 2.9 Replace ALL of the securing screws, ensuring that a screw is present in all fixing slots.



UNDER NO CIRCUMSTANCES SHOULD THE APPLIANCE BE USED IF ANY OF THE GLASS FRAME RETAINING SCREWS ARE LOOSE OR MISSING.

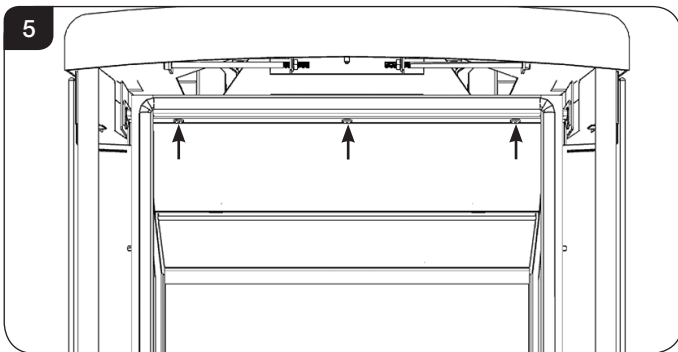
3. Baffle & Liners

To access the burner tray and interior workings of the appliance it may be necessary to remove the baffle and the liners.

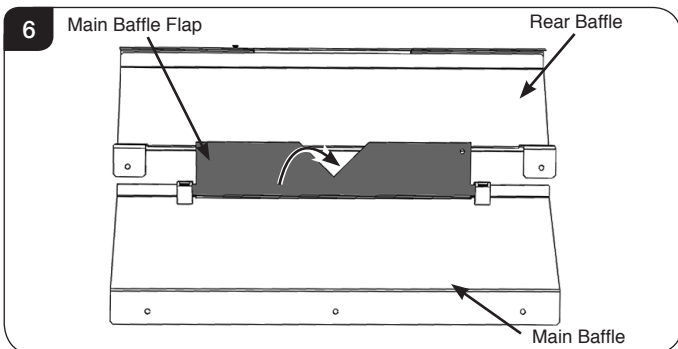
BAFFLE

- 3.1 The baffle consists of two parts, the Main Baffle and the Rear Baffle.

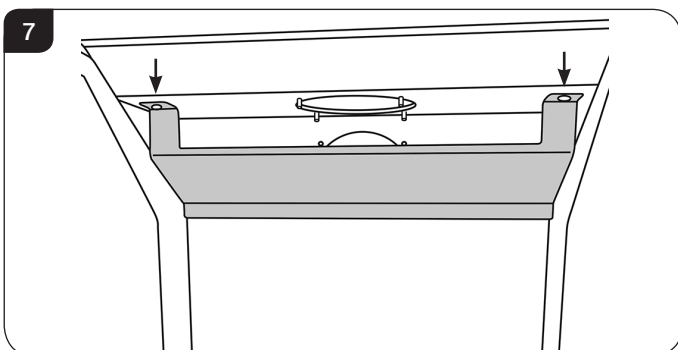
To remove the Main baffle, undo the 3 screws, and manoeuvre through the firebox, see Diagram 5.



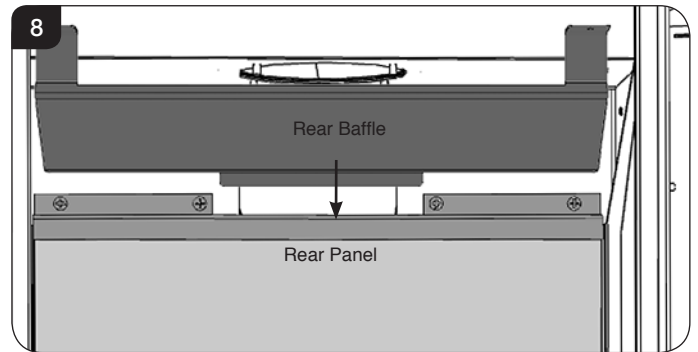
Note: when replacing the Main baffle ensure that the Main Baffle flap rests on the Rear Baffle, see Diagram 6.



- 3.2 To remove the Rear baffle, undo the 2 screws, see Diagram 7.

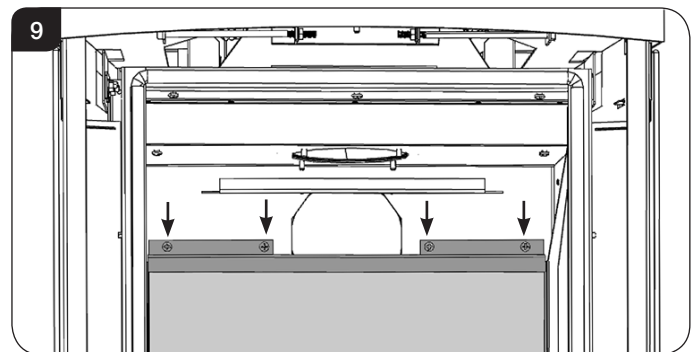


Note: When replacing the Rear Baffle ensure that the tab locates behind the rear panel slot, see Diagram 8.



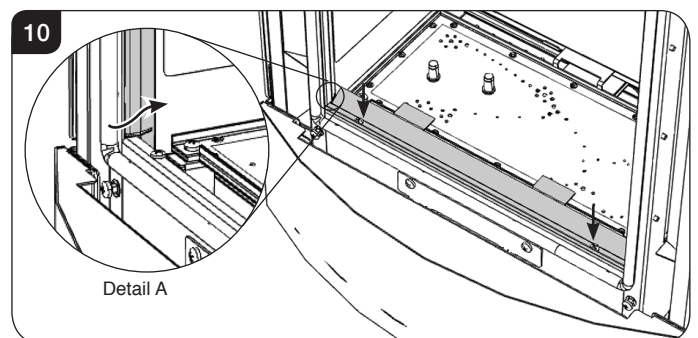
REAR PANEL & TRIMS

- 3.3 The rear panel is in one piece. Undo the 4 screws and lean forward to remove.



To make removal of the rear panel easier, it may be necessary to remove the burner tray, see Section 4.

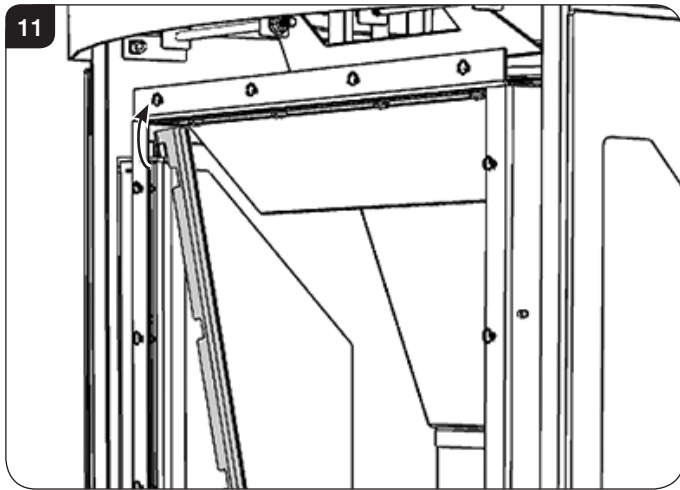
- 3.4 To remove the fuel bed trim undo the 2 screws and slide out of the locating slot in the side trims, see Diagram 10, Detail A.



Servicing Instructions - Replacing Parts

3.5 To remove the side trim lift and hook off the firebox, see Diagram 11.

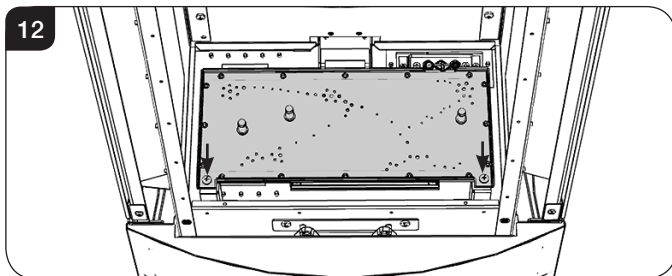
i **NOTE:** The Side Trims only need to be removed if damaged or the side glass needs replacing.



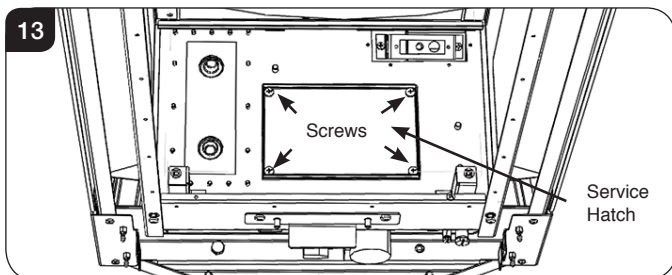
4. Main Burner

To replace the main burner:

4.1 Remove the 2 securing screws at the front of the burner, see Diagram 12.

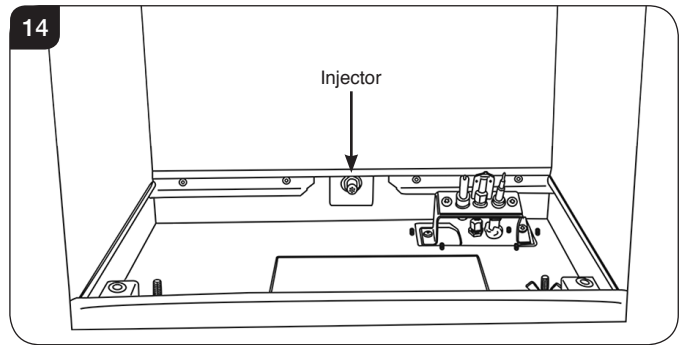


4.2 Lift the burner out of the firebox at an angle clear the brackets, exposing the service hatch, see Diagram 13.



4.3 Refit in reverse order.

Important: Ensure the burner engages with the injector at the base of the firebox, see Diagram 14.



5. Control Assembly & Service Hatch

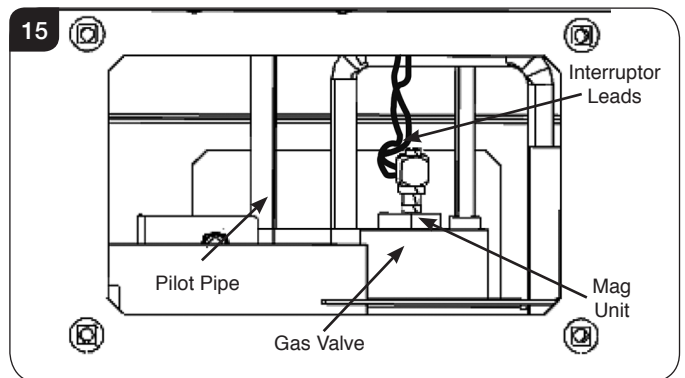
5.1 It is not necessary to remove the complete control assembly to service or replace parts of this appliance. The following sections will detail how to individually remove and replace each element.

5.2 The Loft has a servicing hatch to allow access to the gas valve and control assembly in the base of the firebox.

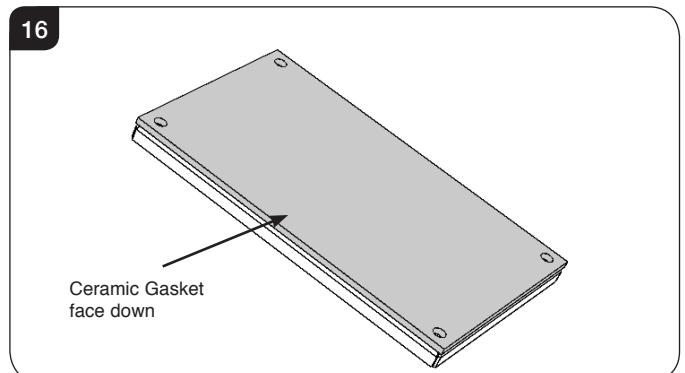
Remove the 4 screws holding the service hatch, see Diagram 15.

Remove the panel.

5.3 This will allow access to the rear of the valve, see Diagram 15.



5.4 Reposition the service hatch and tighten the 4 screws, see Diagram 16.

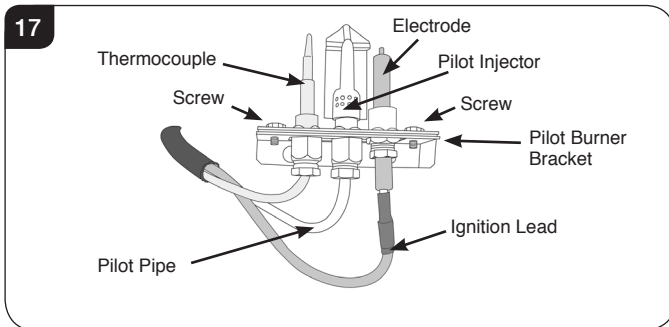


Servicing Instructions - Replacing Parts

6. Pilot Unit

The pilot assembly consists of 4 components which can be individually changed:

- 6a) Pilot burner bracket.
- 6b) Electrode.
- 6c) Pilot injector.
- 6d) Thermocouple.



NOTE: Ensure the sealant surrounding the Electrode and Thermocouple leads is replaced if disturbed or removed whilst gaining access to these components.

IMPORTANT: UNDER THE TERMS OF THE EXTENDED WARRANTY IT WILL BE COMPULSORY TO CHANGE THE COMPLETE PILOT UNIT ON THIS APPLIANCE IN YEARS 2 AND 4.

- 6.1 Turn the gas supply off at the isolation device, remove the door and place to one side, carefully remove the ceramic fuel bed components.

6a. Pilot Burner Bracket

To remove the Pilot Burner Bracket:

- 6.2 **First remove the electrode, pilot pipe and thermocouple as described in the following sections.**
- 6.3 Remove the 2 screws securing the bracket. The pilot burner bracket can now be removed.
- 6.4 Replace in reverse order.

6b. Electrode

- 6.5 Pull the ignition lead off the electrode and undo the retaining nut, see Diagram 17.
- 6.6 Replace with a new electrode. Do not over-tighten the nut; this could break the component.
- 6.7 Replace the ignition lead by pushing the spade connector onto the terminal (electrode).

6c. Pilot Injector

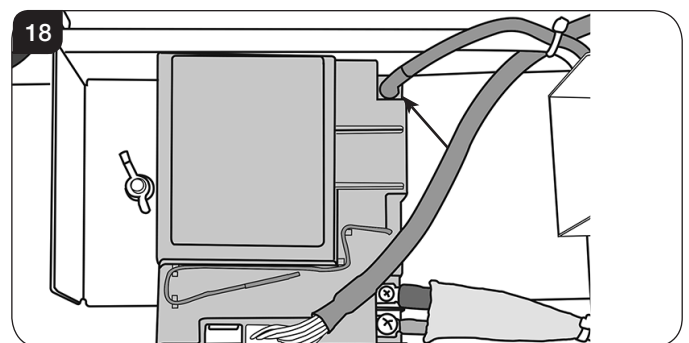
- 6.8 Undo the pilot pipe from the gas valve and from the underside of the pilot burner, see Diagram 17.
- 6.9 Remove the pipe and the injector drops out from the burner.

6d. Thermocouple

- 6.10 Disconnect the thermocouple from the gas valve.
- 6.11 Undo the thermocouple nut in the back of the pilot bracket half a turn. This releases the thermocouple.
- 6.12 When replacing with a new thermocouple, take care to bend the new component to the same shape as the thermocouple just removed.
- 6.13 To refit the thermocouple into the pilot bracket, ensure it is pushed fully into the hole. There is a stop on the thermocouple to set the height.
- 6.14 Lock the retaining nut just enough to grip the thermocouple.
- 6.15 Connect the thermocouple to the valve **taking care not to over-tighten.**

7. Ignition Lead

- 7.1 To replace the ignition lead:
- 7.2 Remove the ignition lead from the control box, see Diagram 18.



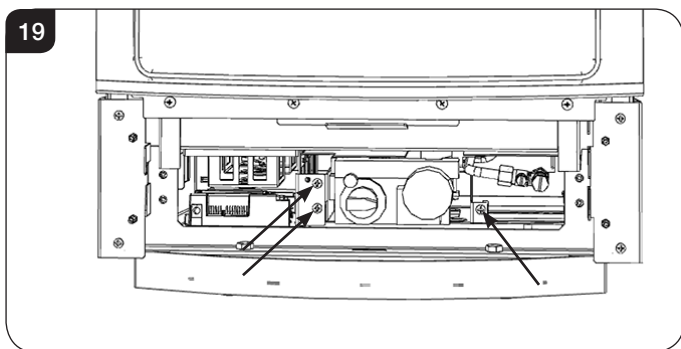
- 7.3 Remove the ignition lead from the electrode, see Diagram 17, removing cable ties where necessary.
- 7.4 **Note the direction of the lead. The new lead must follow exactly the same route. Replace cable ties where necessary.**

NOTE: THE IGNITION LEAD MUST NOT PASS IN FRONT OF THE CONTROL BOX AS THIS CAN DAMAGE THE SENSITIVE ELECTRONICS.

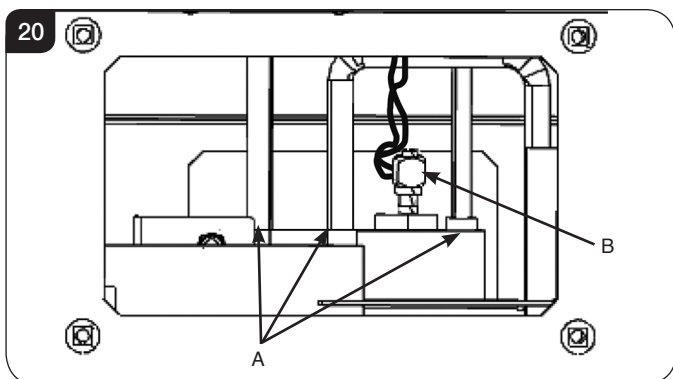
Servicing Instructions - Replacing Parts

8. Gas Valve

- 8.1 To remove the valve turn off the gas supply at the isolation device.
- 8.2 Remove the main burner, see Section 4.
- 8.3 From inside the firebox remove the locknut from the injector, see Section 11.
- 8.4 Remove the pilot feed pipe from the pilot unit, see Section 6.
- 8.5 Remove the 3 screws at the front of the valve bracket to remove the gas valve, see Diagrams 19.



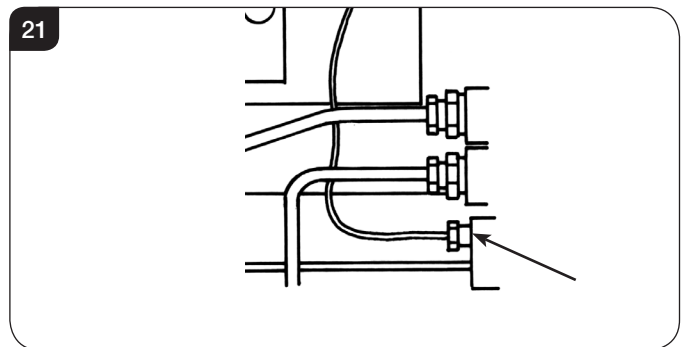
- 8.6 Slide the bracket slightly to the right and pull forward to access the valve connections.
- 8.7 Disconnect the 2 x 8mm and 1 x 4mm gas pipe fittings at the back of the gas valve, see Diagram 20 (A).
- 8.8 Disconnect the thermocouple, see Diagram 20 (B).



- 8.9 Disconnect the ignition lead from the gas valve.
- 8.10 Undo the 2 screws securing the gas valve to the appliance and remove the valve.
- 8.11 Replace in reverse order.
- 8.12 Check all joints for gas leaks and check operation of the thermocouple and ignition lead.

9. Magnetic Safety Valve

- 9.1 Turn the gas supply off at the isolation device.
- 9.2 Remove the gas valve, see Section 8.
- 9.3 Undo the magnetic valve-retaining nut from the back of the control valve, see Diagram 21.
- 9.4 Gently tap out the magnetic valve and replace with a new unit.
- 9.5 Replace the retaining nut and tighten.



- 9.6 Reassemble the interrupter block and leads and secure the thermocouple connection in the rear of the gas control. (Do not overtighten).
- 9.7 Turn the gas supply on and check the entire pipework and valve joints for any leaks.

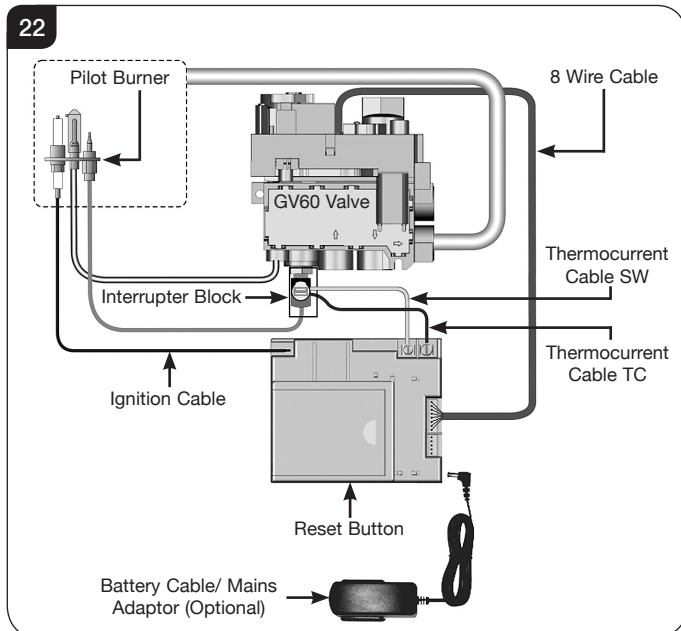
Servicing Instructions - Replacing Parts

10. Control Box

- 10.1 To replace the control box first access the main control assembly, See Section 5.
- 10.2 Remove the 2 thermocurrent cables by removing the 2 screws, Diagram 22.
- 10.3 Remove the ignition lead, Diagram 22.
- 10.4 Remove the eight wire loom from the control box.
- 10.5 Remove the battery extension cable, Diagram 22.

The control box can now be replaced.

When replacing the sealing plate on the rear of the control cover use a suitable silicone sealant.

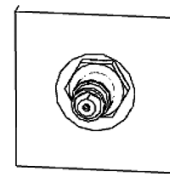


- 10.6 After replacing the control box you may need to reprogram the handset.
 - Press and hold the reset button on the control box until you hear two signals. After the second longer signal:
 - Release the reset button and within 20 seconds:
 - Press the DOWN button on the handset until you hear two additional short signals confirming the new code is set.
If there is a single long signal the code learning sequence has failed or the wiring is incorrect.

11. Main Injector

- 11.1 To remove the main injector turn off the gas supply at the isolation device.
- 11.2 Remove the main burner, see Section 4.
- 11.3 Undo the compression nuts from the feed pipe and the gas valve under the appliance.
- 11.4 Working from inside the firebox remove the lock nut from the injector, see Diagram 23.

23



- 11.5 Extract the injector with the feed pipe from beneath the appliance.
- 11.6 Holding the injector with a spanner:
- 11.7 Undo the feed pipe. **Note the orientation of the Injector.**
- 11.8 Re-assemble in reverse order.
- 11.9 Turn on the gas supply and check for leaks.

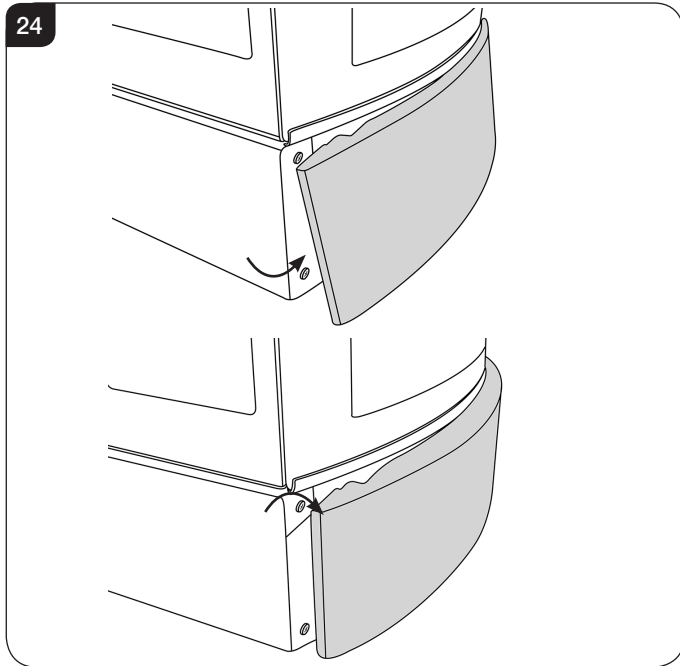
Servicing Instructions - Replacing Parts

12. Glass Side Panels

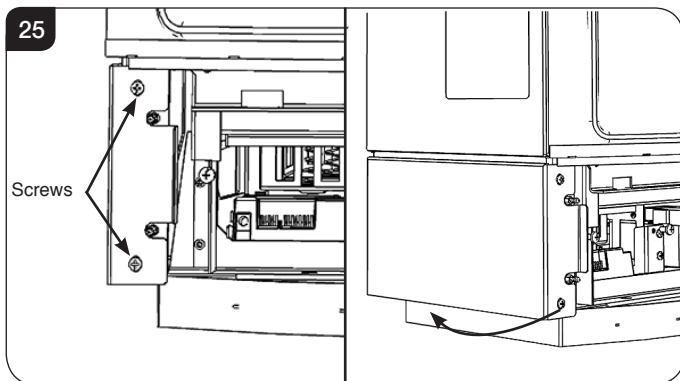
12.1 Remove the glass door, see Section 2.

12.2 Remove the plinth:

1. Pull the lower section of the plinth forward to release from the studs.
2. Lift the top section and tilt forward to clear the hooks and slots on the front of the appliance, see Diagram 24.

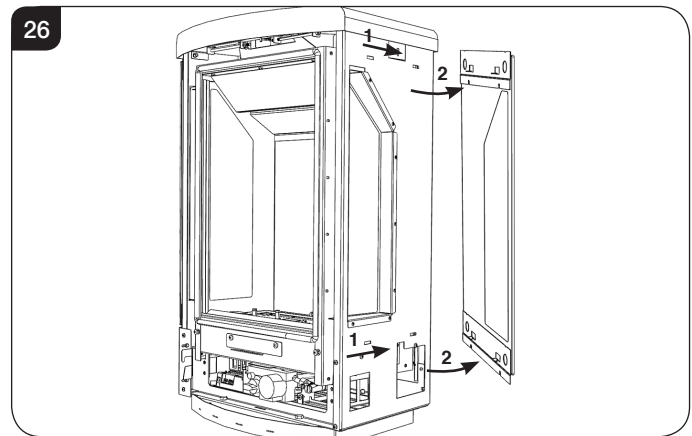


12.3 Remove the 2 side screws, see Diagram 25.



12.4 Pull the front of the side panels away from the appliance and slide backwards to disengage the back tabs, see Diagram 25.

12.5 Hold the glass panel carefully and slide towards the back of the appliance to disengage from the slots in the side of the carcass, see Diagram 26 (1).



12.6 Angle the glass side panels away from the appliance to disengage the slots, see Diagram 26 (2).

12.7 Replace the glass and gasket, ensuring that the printed side is facing outwards.

To replace the Glass Side Panels:

12.8 Locate the tabs on the panel into the slots on the sides of the appliance and slide forward until it stops, see Diagram 26.

13. Primary Aeration Plate

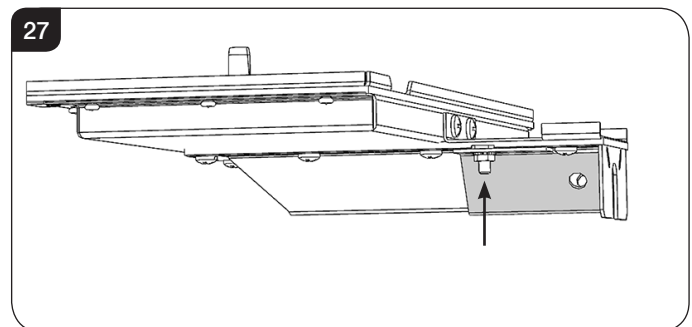
NOTE: Not all models have aeration plates. Please refer to the Technical Specification.

13.1 To replace the primary aeration plate turn off the gas supply at the isolation device.

13.2 Remove the burner, see Installation Instructions, Replacing Parts, Section 4.

13.3 Undo the 2 nuts and remove the plate.

13.4 Replace with the correct size plate and secure the 2 nuts. Ensure that the lower edge of the plate is located over the venturi flange, see Diagram 27.



Servicing Instructions - Replacing Parts

14. Changing Between Gas Types

A kit of parts is available for this - Contact your Gazco retailer for further information.

It will be necessary to replace the following components:

- Top Baffle
- Burner
- Injector
- Pilot Injector
- Gas Valve

Always quote the Model number and Serial number when ordering any spare parts.

15. Control Upgrade

See Installation Instructions, Section 2.

16. Explosion Relief Gasket

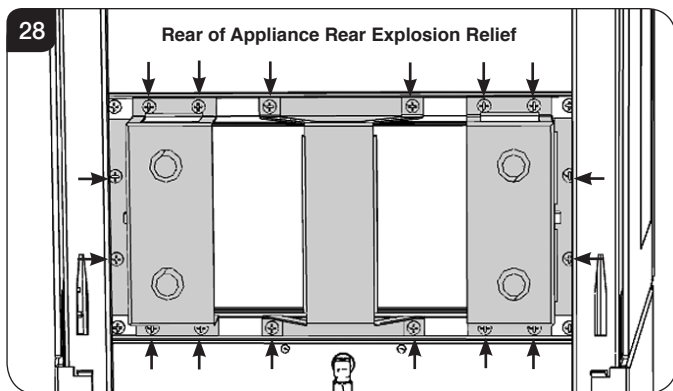


IMPORTANT: If it is required to access the rear explosion relief for servicing the appliance must first be removed from the wall.

- 16.1 It is possible to change the gasket on the explosion relief panel.

Rear Explosion Relief

- 16.2 Remove the 6 screws on each spring panel and the 4 from the centre bracket.



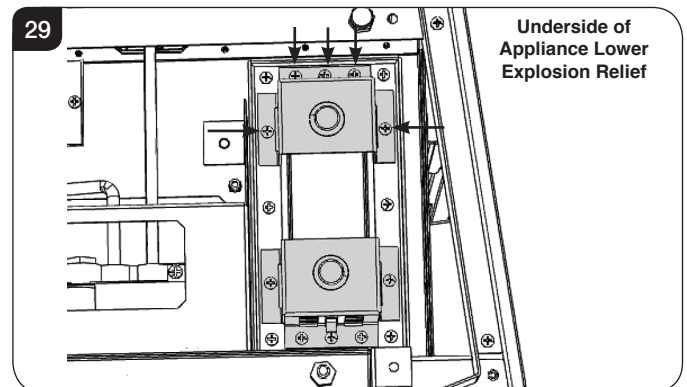
- 16.3 Remove the gasket and replace.

Ensure when replacing that the springs are located into the recess.

- 16.4 Refit in reverse order.

Lower Explosion Relief

- 16.5 Remove the 5 screws on each spring panel, see Diagram 29.



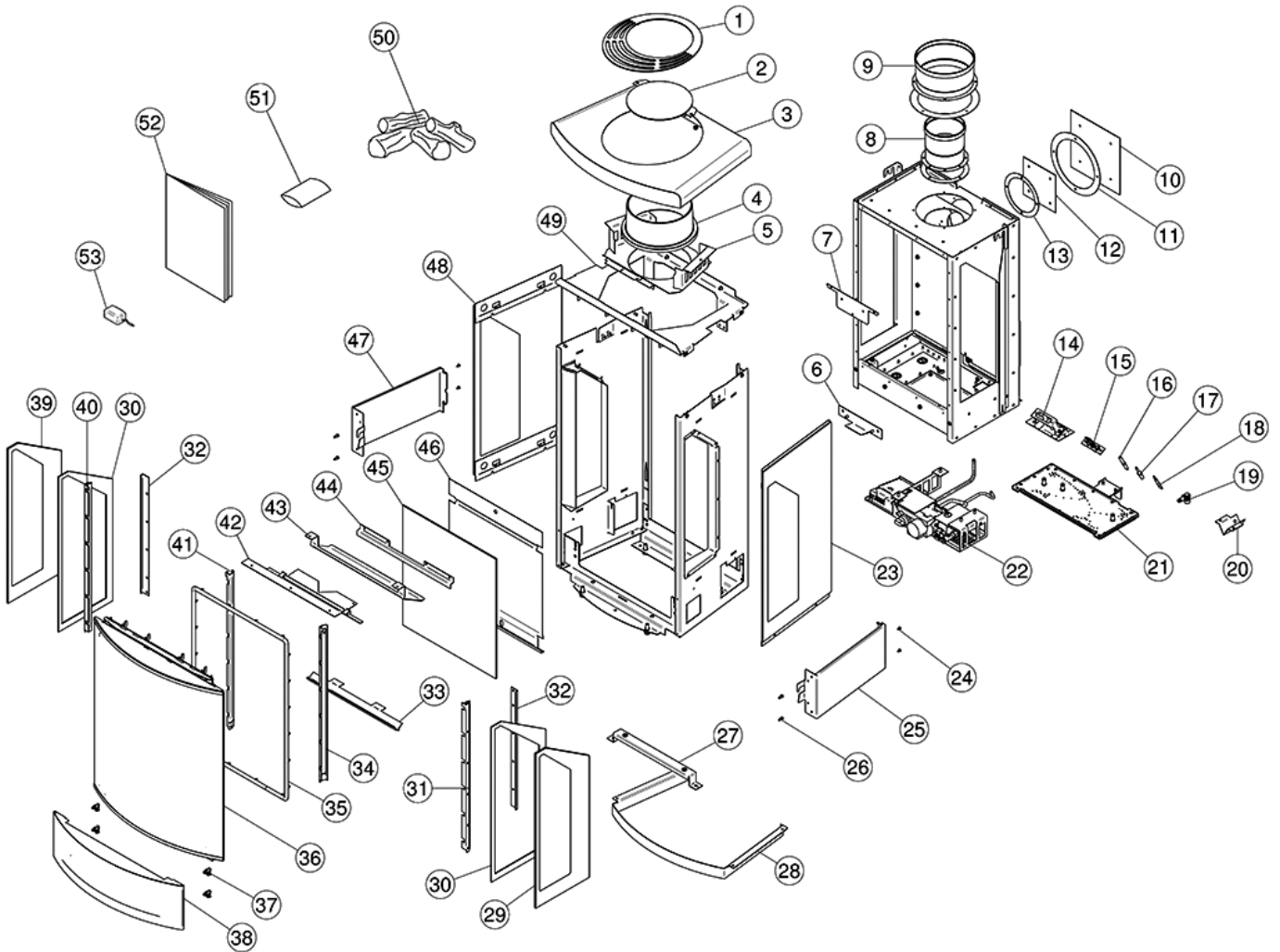
- 16.6 Remove the gasket and replace.

Ensure when replacing that the springs are located into the recess.

- 16.7 Refit in reverse order.

Servicing Instructions - Replacing Parts

17. Spares List - Loft



Due to continual technical improvements please check online or with your Gazco retailer for the most up to date parts lists.

Only use Genuine Gazco spares when servicing your appliance.
All of our essential spare parts and consumable items are available to purchase from our webshop at www.gazcospares.com.

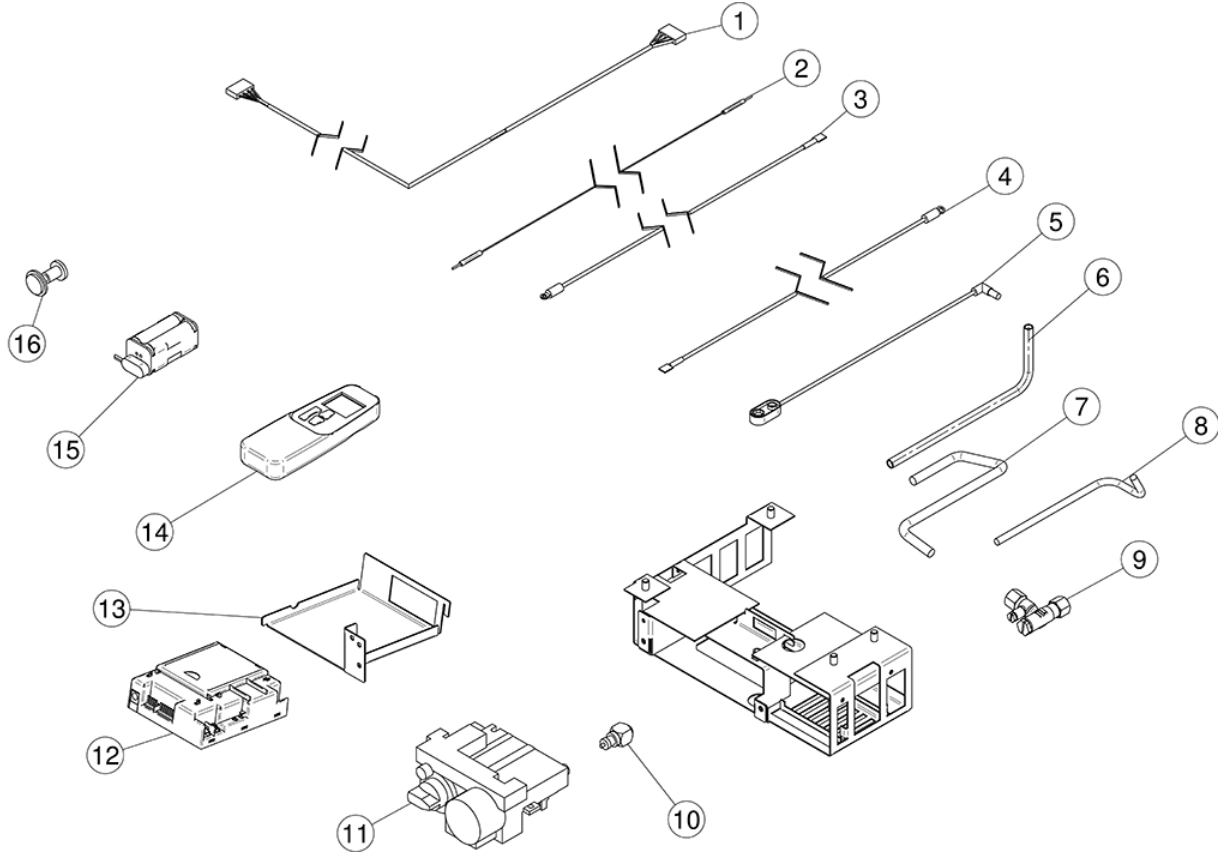
Servicing Instructions - Replacing Parts

17. Spares List - Loft

No.	Component	Part Code		Quantity	No.	Component	Part Code		Quantity
		Natural Gas	LPG				Natural Gas	LPG	
1	Infill Vent	GZ14562		1	28	Base Vanity Cover	GZ14252		1
2	Blanking Plate Assembly	GZ14587		1	29	RH Screen Printed Black Glass	CE1773		1
3	Lid Assembly	GZ14304		1	30	RH/LH Glass Side Panel Seal	CE1831		2
4	Cast Flue Collar	CA0727A		1	31	Glass Window Retainer - Front RH	GZ13884		1
5	Flue Collar & Blanking Plate Support	GZ14302		1	32	Glass Window Retainer - Rear	GZ13859		2
6	Door Stop	GZ14662		1	33	Front Stone Channel	GZ13477		1
7	Rear Exit Cover	ME14045		1	34	Vanity Trim RH	GZ13937		1
8	Inner Spigot	MEC0275		1	35	Rope Seal	FA0726		1
9	Outer Spigot	MEC0232		2	36	Door Assembly	GZ14262		1
10	Outer Flue Blanking Plate	GZ1321		1	37	Latch Clip	FA0732		4
11	Outer Flue Spigot Gasket	CE0211		2	38	Control Panel Cover	GZ14255		1
12	Inner Flue Blanking Plate	GZ1320		1	39	LH Screen Printed Black Glass	CE1774		1
13	Inner Flue Spigot Gasket	CE0210		2	40	Glass Window Retainer - Front LH	GZ13883		1
14	Pilot Assembly	GZ13443		1	41	Vanity Trim LH	GZ13936		2
15	Pilot with Injector	PI0069		1	42	Top Baffle Assembly	GZ14479		1
16	Electrode	PI0075		1	43	Rear Baffle	GZ14047		1
17	Pilot Bulk Head	FA0723		1	44	Rear Glass Liner Retainer	GZ14046		1
18	Thermocouple	PI0074		1	45	Rear Black Glass Panel	CE1764		1
19	Injector	IN0039		1	46	Rear Glass Panel Infill	GZ13787		1
20	Aeration Cover	GZ10407	N/A	1	47	LH Vanity Cover	GZ14248		1
21	Burner Cover Assembly	GZ14317	GZ14286	1	48	LH Glass Assembly	GZ14264		1
22	Engine Assembly	GZ15152		1	49	Top Assembly	GZ14663		1
23	RH Glass Assembly	GZ14263		1	50	Log Set	CE1755		1
24	M3.5 x 6 Screws	FA0051		4	51	Embaglow	GZ8471		1
25	RH Vanity Cover	GZ14247		1	52	Instruction Manual	PR2478		1
26	Ball Stud	FA0731		4	53	Mains Adapter	999-620		1
27	Ground Fixing Bracket	GZ14339		1					

Servicing Instructions - Replacing Parts

17. Spares List - Control Assembly



No.	Component	Part Code	Quantity
1	Valve Cable	GC0133	1
2	Ignition Cable	GC0125	1
3	Thermocurrent Cable	GC0126	1
4	Thermocurrent Cable	EL0590	1
5	Battery Box Cable	GC0146	1
6	8mm Injector Pipe	GZ13639	1
7	8mm Inlet Pipe	GZ14762	1
8	4mm Pilot Pipe	GZ13640	1
9	Inlet Elbow	GC0095	1
10	Thermocouple Interrupter Block	GC0090	1
11	Control Valve	GC0123	1
12	Receiver	EL0589	1
13	Receiver Bracket	GZ14594	1
14	Handset	EL0571	1
15	Battery Pack	EL0410	1
16	Mag. Unit	GC0166	1



Due to continual technical improvements please check online or with your Gazco retailer for the most up to date parts lists.

Only use Genuine Gazco spares when servicing your appliance.

All of our essential spare parts and consumable items are available to purchase from our webshop at www.gazcospares.com.

Service Records

1ST SERVICE

Date of Service.....
Next Service Due
Signed
Retailer's Stamp/GasSafe Registration Number

2ND SERVICE

Date of Service.....
Next Service Due
Signed
Retailer's Stamp/GasSafe Registration Number

3RD SERVICE

Date of Service.....
Next Service Due
Signed
Retailer's Stamp/GasSafe Registration Number

4TH SERVICE

Date of Service.....
Next Service Due
Signed
Retailer's Stamp/GasSafe Registration Number

5TH SERVICE

Date of Service.....
Next Service Due
Signed
Retailer's Stamp/GasSafe Registration Number

6TH SERVICE

Date of Service.....
Next Service Due
Signed
Retailer's Stamp/GasSafe Registration Number

7TH SERVICE

Date of Service.....
Next Service Due
Signed
Retailer's Stamp/GasSafe Registration Number

8TH SERVICE

Date of Service.....
Next Due
Signed
Retailer's Stamp/Gas Safe Registration Number

9TH SERVICE

Date of Service.....
Next Service Due
Signed
Retailer's Stamp/GasSafe Registration Number

10TH SERVICE

Date of Service.....
Next Service Due
Signed
Retailer's Stamp/GasSafe Registration Number

Information Requirement - Gas Heaters

Information Requirement for Gaseous Fuel Local Space Heater

Model		Loft BF NG	Loft BF LPG
Fuel	Space Heating Emissions (NOx) - mg / kWh _{input} (GCV)	130	130
Heat Output	Nominal Heat Output - P_{nom}	4.5kW	4.2kW
	Minimum Heat Output (indicative) - P_{min}	2.9kW	2.4kW
Auxiliary Electricity Consumption	At Nominal Heat Output - e_{lmax}	N/A	N/A
	At Minimum Heat Output - e_{lmin}	N/A	N/A
	In Standby Mode - e_{lSB}	N/A	N/A
Useful Efficiency	Useful Efficiency at nominal heat output - $\eta_{th,nom}$	94.3%	94.3%
	Useful Efficiency at minimum heat output (indicative) - $\eta_{th,min}$	91.5%	91.5%
Pilot Flame Power requirement	Permanent Pilot Flame Power requirement (if applicable) - P_{pilot}	N/A	N/A
Type of heat output/room temperature control			
	Electronic room temperature control + day timer	Yes	Yes
Other control options (multiple selections possible)			
	Room temperature control, with presence detection	No	No
	Room temperature control, with open window detection	No	No
	With distance control option	No	No
	With adaptive start control	No	No
	With working time limitation	No	No
	With black bulb sensor	No	No
	Energy Efficiency Index	90.3%	90.3%
	Energy Efficiency Class	A	A
Contact:	Gazco Ltd, Osprey Road, Sowton Industrial Estate, Exeter, EX2 7JG		

Gazco Limited, Osprey Road, Sowton Industrial Estate, Exeter, Devon, England EX2 7JG
Technical Customer Services: (01392) 261950 Fax: (01392) 261951
E-mail: technicalservices@gazco.com

A member of the Stovax Group
E & O E