



# Stone Slips & Hearths

For use with Riva2 750HL & Reflex 75T



## Instructions for Use and Installation

For use in GB, IE (Great Britain and Republic of Ireland)

### **IMPORTANT**

Before installing the surround, please read these instructions carefully and in conjunction with the instructions supplied with the appliance. These Instructions must be left with the appliance for future maintenance.

# Pre-Installation Instructions

Covering frame model numbers:

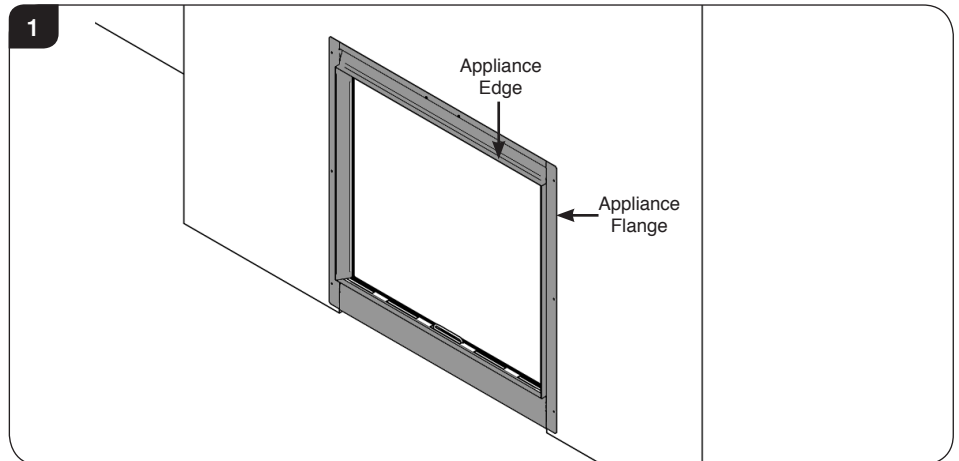
Material	Slip Set for Stone Mantel	Small Hearth for Stone Mantel	Large Hearth for Stone Mantel
Limestone	934-121	934-193	934-351
White Marble	934-790	934-241	934-489

## 1. General requirements

### IMPORTANT NOTICE

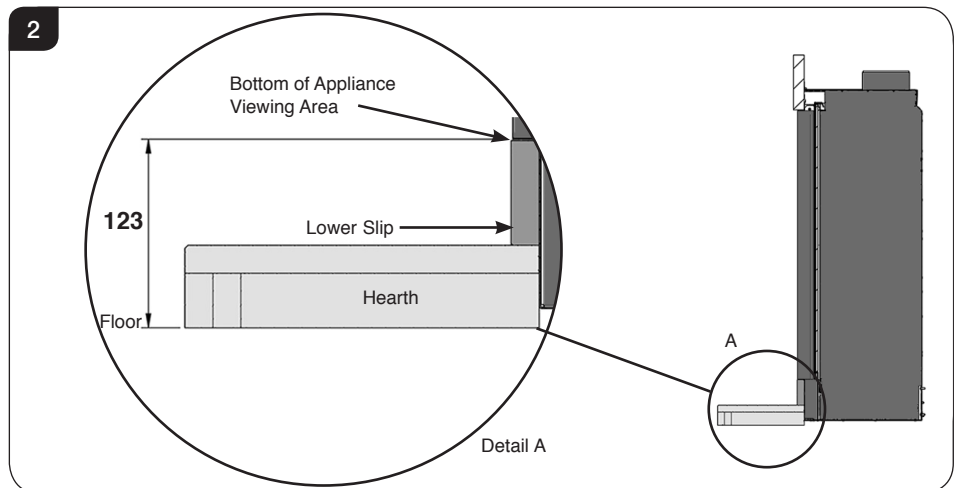
The following must be checked prior to installation of Stone Slips, Hearths and Mantels.

- 1.1 It is essential the appliance is installed following the **Decorative Front installation method**. For details refer to the installation instructions supplied with the appliance. This method will leave the appliance flange flush to the brickwork and the edge proud of the wall, see Diagram 1.



**i** **IMPORTANT: FOR A SUCCESSFUL INSTALLATION IT IS ESSENTIAL THAT THE APPLIANCE IS INSTALLED AT A HEIGHT OF 123MM FROM THE FLOOR TO THE BOTTOM EDGE OF THE APPLIANCE VIEWING AREA, SEE DIAGRAM 2.**

**THE APPLIANCE MUST BE INSTALLED CAREFULLY TO ENSURE THAT IT IS COMPLETELY LEVEL.**



### General

**!** **CAUTION - these materials are heavy. It is recommended to use suitable lifting equipment when moving the packed surround and two people to lift each part during unpacking and assembly.**

- 2.1 It is important to refer to the installation section of the instruction manual supplied with the appliance, before fitting the surround.

**i** **IMPORTANT NOTICE: When handling the stone surrounds, take care to lift carefully and hold in the middle of the pieces to avoid putting unnecessary strain on the joins prior to installation.**

### Warning

**!** **CAUTION: Stone surrounds are extremely heavy and must be properly secured to a solid wall. DO NOT install onto studwork walls.**

**Failure to secure this mantel firmly to a wall could result in parts of this surround falling. This can lead to serious injuries or even fatalities.**

**Do not attempt to fix the fire surround to a wall with adhesive alone. This product must be firmly secured to a solid wall with substantial stainless steel fixings.**

# Installation Instructions

## 1. Installation

### Hearth

**One of the most important starting points for the successful installation of this mantel is to ensure that the hearth is as level as possible and forms a 90° angle to the fireplace opening.**

- 1.1 If a new hearth is being laid, place on a complete bed of lime based mortar.  
**NOTE:** If laying a light coloured stone hearth use a light coloured silver sand to prevent marks coming through the stone.
- 1.2 Centralise the hearth to the centre line of the appliance.  
  
The hearth must meet the requirements of the Building Regulations and be suitable for the type of heating appliance to be installed.

### Slips

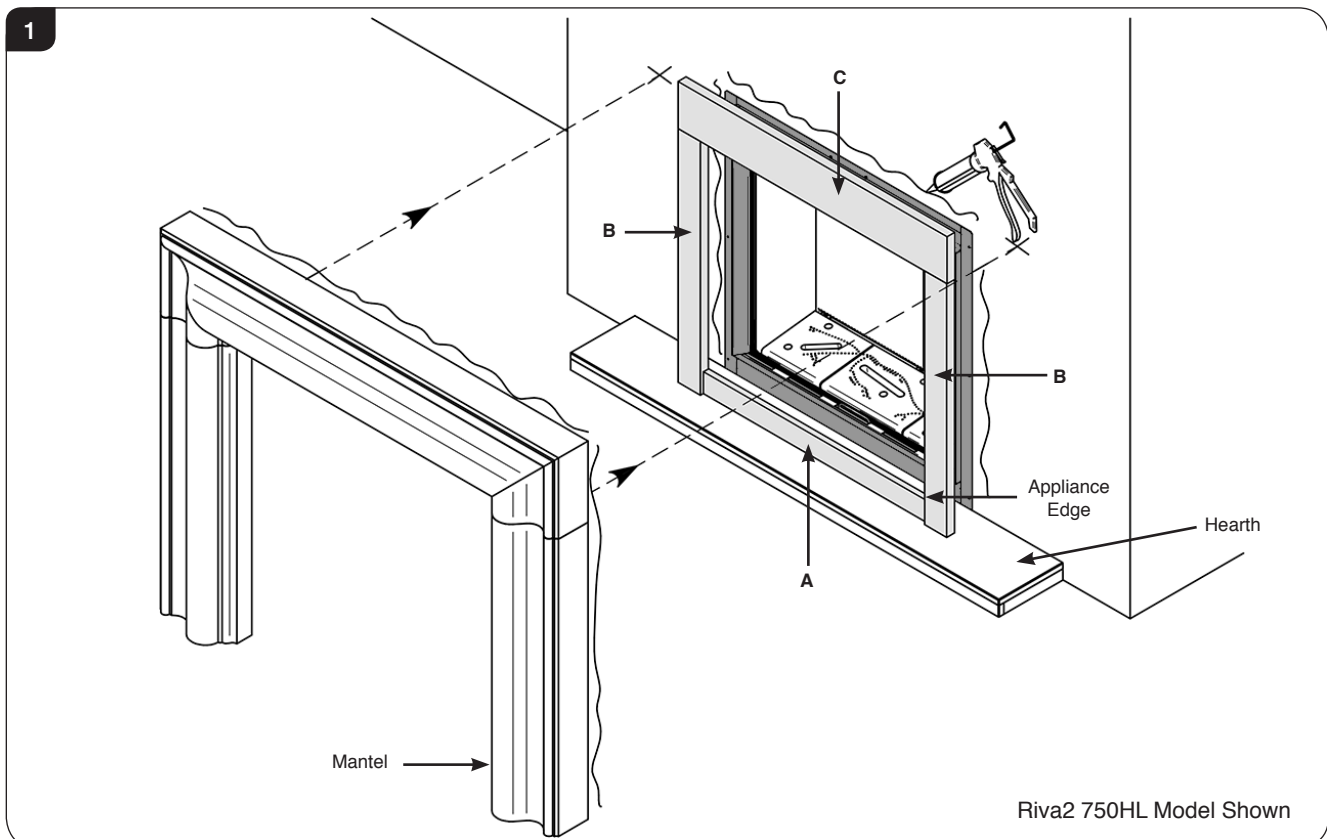
- 1.3 Check that the bottom slip fits between the appliance edge and the hearth, see Diagram 1, Arrow A. Do not fix in place. Ensure that the bottom slip is level, vertically and horizontally, between the hearth and the appliance and the sides finish flush to the edges.
- 1.4 Remove the bottom slip.

- 1.5 Place the side slips, ensuring that they butt up against the edge of the appliance and are flush from top to bottom, see Diagram 1, Arrow B.
- 1.6 Bond the slips to the wall using a suitable adhesive.
- 1.7 Place the top slip, ensuring that it butts up against the top edge of the appliance and sits centrally on the side slips, see Diagram 1, Arrow C.
- 1.8 Bond the slip to the wall using a suitable adhesive.
- 1.9 Replace the bottom slip, ensuring that it still fits as described in step 1.3, see Diagram 1, Arrow A.
- 1.10 Bond the slip to the wall using a suitable adhesive.
- 1.11 Refer to the Stone Mantel Installation Instructions and fix the back of the Stone Mantel to the slip and wall face.

## 2. Cleaning

Cleaning the Hearth and Slip set:

- 2.1 Use a damp, soft cloth to clean the surface.  
**Do not use any cleaning agents.**



**Gazco Limited, Osprey Road, Sowton Industrial Estate, Exeter, Devon, England EX2 7JG**  
**Technical Customer Services: (01392) 261950 Fax: (01392) 261951**  
**E-mail: [technicalservices@gazco.com](mailto:technicalservices@gazco.com)**

A member of the Stovax Group  
E & O E