



Evoked XS Frame

For use with the Riva2 400 & 600HL



Instructions for Use and Installation
For use in GB, IE (Great Britain and Republic of Ireland)

Installation Instructions

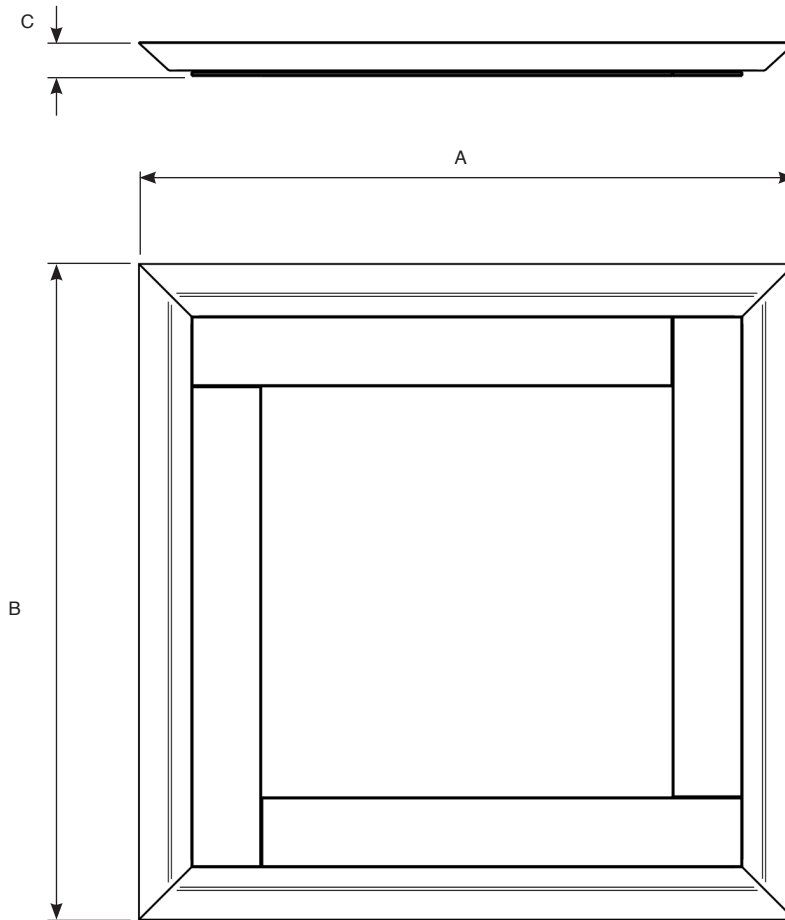
Covering frame model numbers:

	Black Glass	White Glass
Riva2 400	934-106	934-113
Riva2 600HL	934-734	934-748

1. General

1.1 These instructions are supplementary to, and must be read in conjunction with the instructions supplied with the appliance. Read both thoroughly before installation.

1.2 Fitting of this decorative front should be carried out after the appliance has been installed and commissioning tests completed.



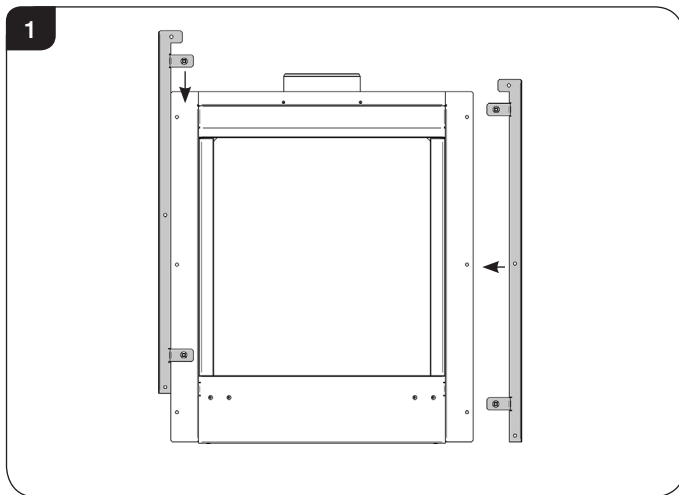
All dimensions in mm

	A	B	C
Riva2 400	617	617	32
Riva2 600HL	926	889	32

Installation Instructions

2. Fitting the Mounting Brackets

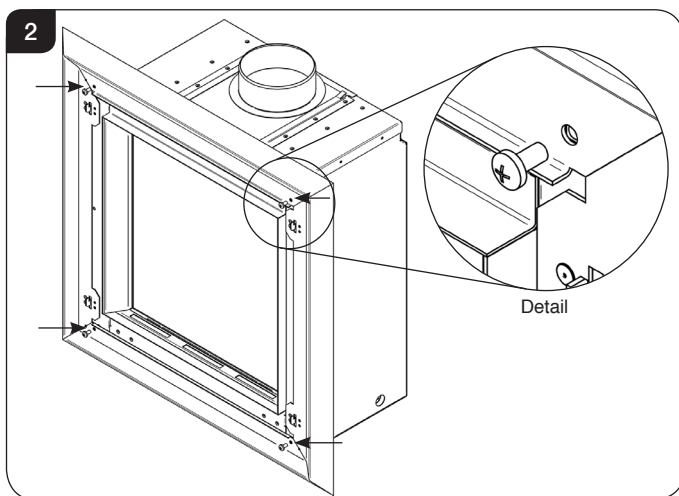
- 2.1 Complete the installation of the appliance by following the installation instructions supplied with the appliance.
- 2.2 Offer the wall mounting brackets to the appliance and position so the interior edges sit flush with the edges of the appliance flange, see Diagram 1.



- 2.3 Mark the position for the 6 fixing screws.
- 2.4 Remove the mounting brackets, drill the fixing holes and fill with rawl plugs.
- 2.5 Attach the mounting brackets to the wall using the screws provided.

3. Fitting the Base-Frame

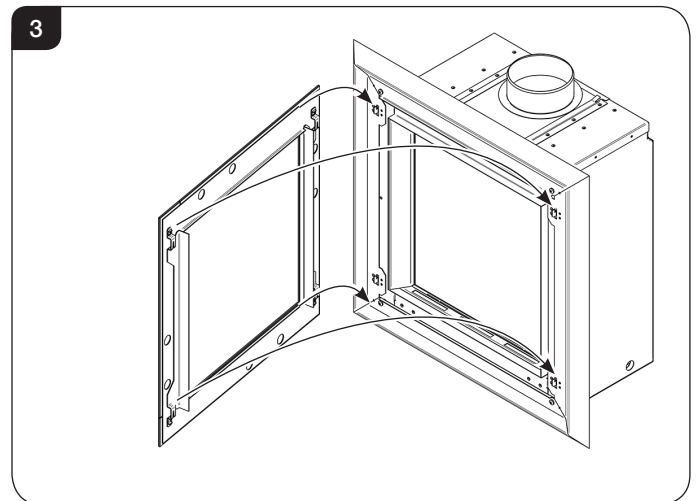
- 3.1 Align the base-frame holes with the mounting bracket nutserts, see Diagram 2. Secure with the screws provided.



4. Securing the Frame to the Appliance

IT IS RECOMMENDED THAT 2 PEOPLE FIT THIS FRAME FOR EASE OF INSTALLATION, PARTICULARLY LIFTING TO FINAL POSITION.

- 4.1 Rest the bottom fixing slots on the bottom locating hooks. Lift the upper frame fixing slots onto the top locating hooks and lower into final position, see Diagram 3.



5. Cleaning the Frame

Ensure the appliance is cold before attempting to clean the frame.

- 5.1 The painted finish should be cleaned using a damp cloth and buffed with a lint free duster.

Gazco Limited, Osprey Road, Sowton Industrial Estate, Exeter, Devon, England EX2 7JG
Technical Customer Services (01392) 261950 Fax: (01392) 261951
E-mail: technicalservices@gazco.com

A member of the Stovax Group
E & O E