



*Fire Your Imagination*

# Evoked Frames

For use with the Riva2 500, 530, 670 & 750



**Instructions for Use and Installation**  
For use in GB, IE (Great Britain and Republic of Ireland)

# Installation Instructions

Covering frame model numbers:

Finish - Black Glass	Glass Frame Colour				
	Graphite	Metallic Blue	Metallic Red	Metallic Bronze	Ivory
Riva2 500	934-366	-	934-366RD	934-366BZ	934-366IV
Riva2 530	934-417	934-417BL	934-417RD	934-417BZ	934-417IV
Riva2 670	934-529	934-529BL	934-529RD	934-529BZ	934-529IV
Riva2 750	934-245	-	934-245RD	934-245BZ	934-245IV

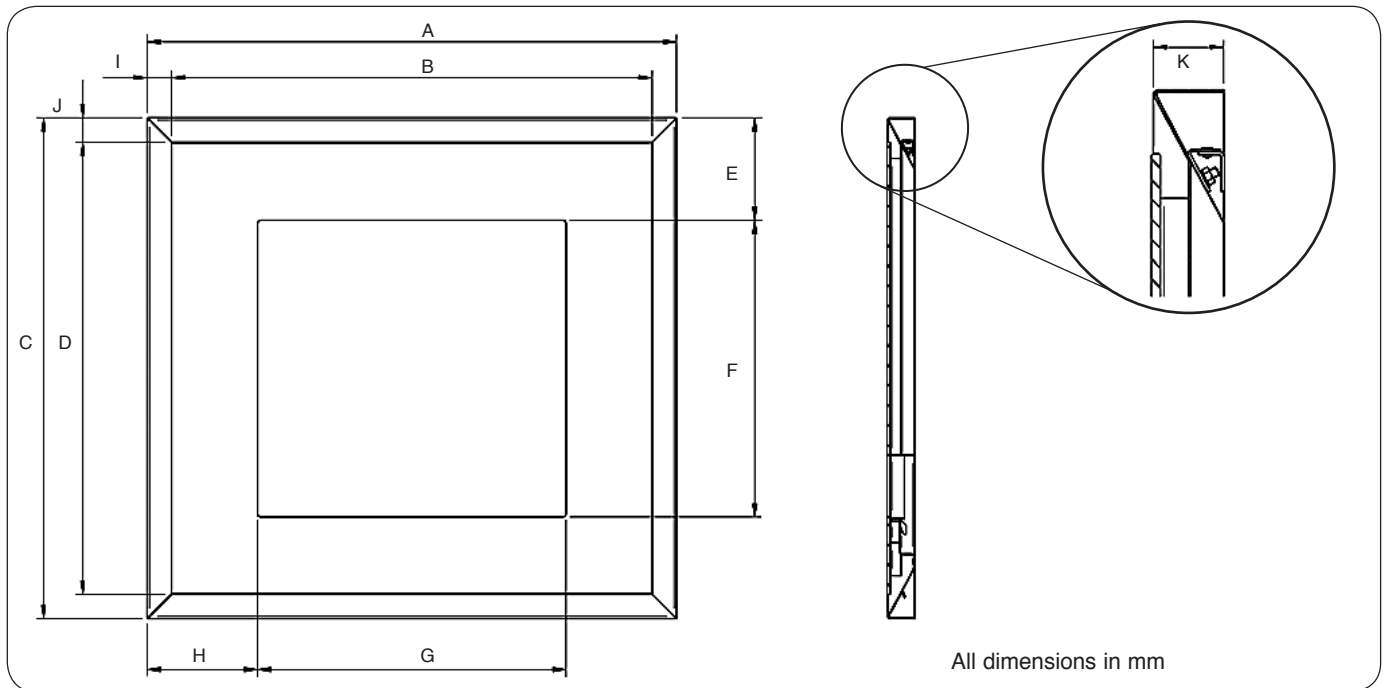
Finish - White Glass	Glass Frame Colour				
	Graphite	Metallic Blue	Metallic Red	Metallic Bronze	Ivory
Riva2 500	934-397	-	934-397RD	934-397BZ	934-397IV
Riva2 530	934-476	934-476BL	934-476RD	934-476BZ	934-476IV
Riva2 670	934-558	934-558BL	934-558RD	934-558BZ	934-558IV
Riva2 750	934-264	-	934-264RD	934-264BZ	934-264IV

Frame Colour - Graphite	Steel Finish				
	Graphite	Metallic Blue	Metallic Red	Metallic Bronze	Ivory
Riva2 500	934-330	-	934-330RD	934-330BZ	934-330IV
Riva2 530	934-595	934-595BL	934-595RD	934-595BZ	934-595IV
Riva2 670	934-601	934-601BL	934-601RD	934-601BZ	934-601IV
Riva2 750	934-281	-	934-281RD	934-281BZ	934-281IV

## 1. General

1.1 These instructions are supplementary to, and must be read in conjunction with the instructions supplied with the appliance. Read both thoroughly before installation.

1.2 Fitting of this decorative front should be carried out after the appliance has been installed and commissioning tests completed.



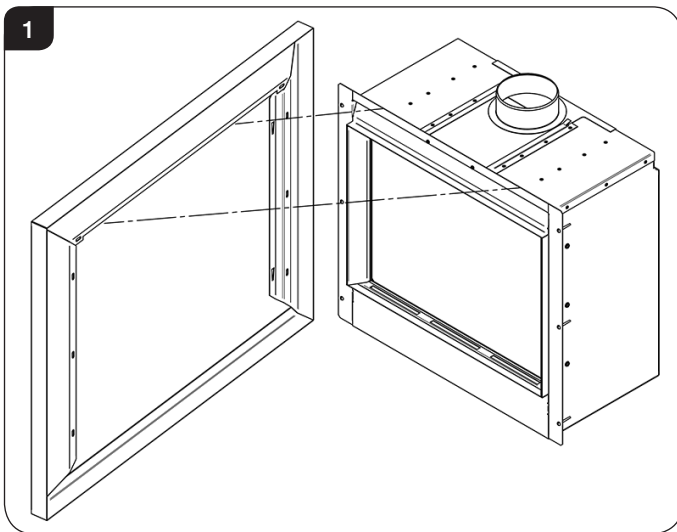
Model	A	B	C	D	E	F	G	H	I	J	K
Riva2 500	869	797	710	638	166	378	537	166	36	36	39.7
Riva2 530	795	723	752	680	153	446	464	165.5	36	36	39.7
Riva2 670	920	848	622	550	162	298	589	165.5	36	36	39.7
Riva2 750	1117	1045	1035	963	166	703	785	166	36	36	39.7

# Installation Instructions

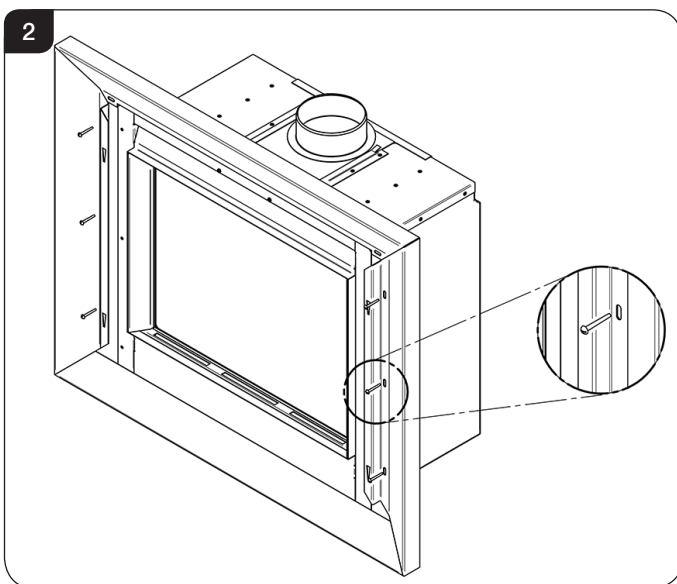
## 2. Fitting the Sub-Frame

### Riva2 500 & 750 models

- 2.1 Complete the installation of the Riva2 500 or 750 by following the installation instructions supplied with the appliance.
- 2.2 Slide the sub-frame over the flange on the front of the appliance. Ensure the sub-frame is resting centrally and mark the location of the fixing holes, see Diagram 1.

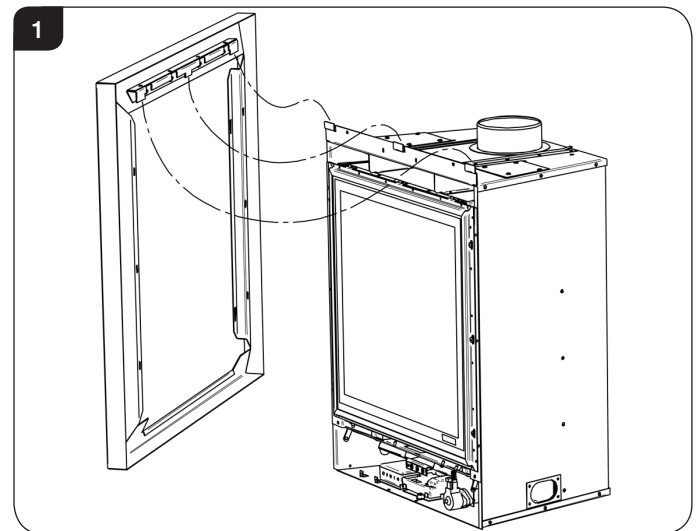


- 2.3 Remove the sub-frame and drill the fixing holes (making sure the debris does not fall into the firebox) and push the wall plugs into the holes.
- 2.4 Secure the sub-frame to the wall with the screws supplied, see Diagram 2.

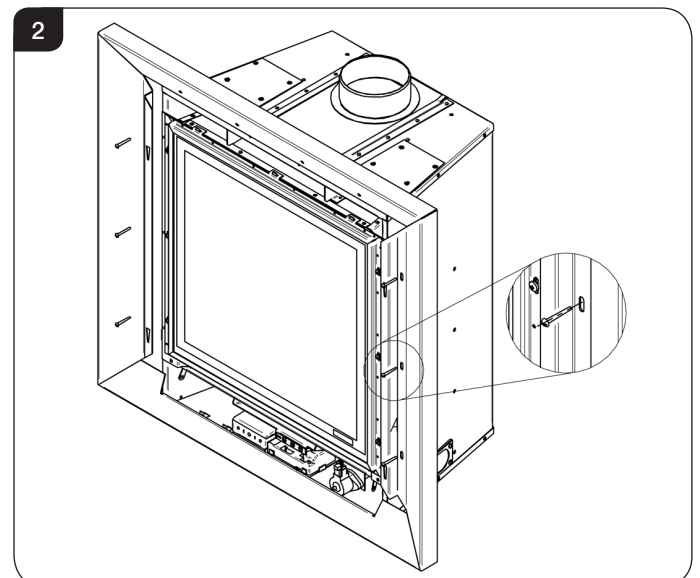


### 530 & 670 Models

- 2.5 Complete the installation of the Riva2 530 or 670 by following the installation instructions supplied with the appliance.
- 2.6 Locate the wall mounting bracket so that the tabs locate in the lugs on the top flange and the bracket rests against the top edge of the top flange. Ensure the bracket is resting centrally and mark the location of the fixing holes, see Diagram 1.



- 2.7 Remove the mounting bracket and drill the fixing holes (making sure the debris does not fall into the firebox) and push the wall plugs into the holes.
- 2.8 Secure the bracket to the wall with the screws supplied, see Diagram 2.

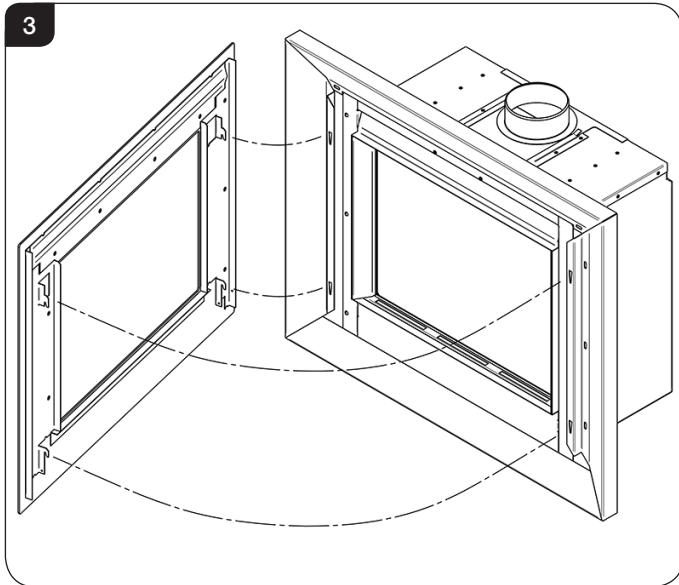


### 3. Securing Frame to the Appliance

**IT IS RECOMMENDED THAT 2 PEOPLE FIT THIS FRAME FOR EASE OF INSTALLATION, PARTICULARLY LIFTING TO FINAL POSITION.**

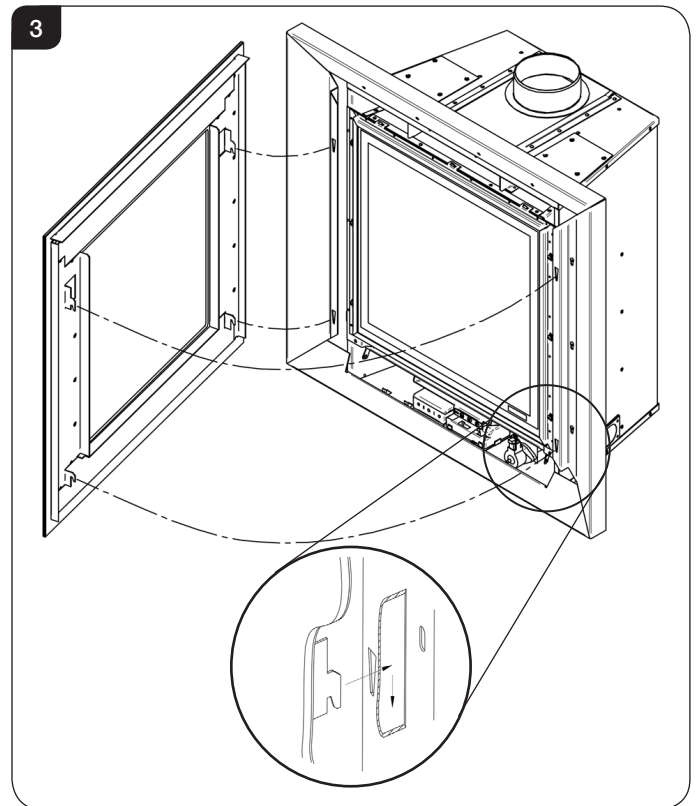
#### 500 & 750 Models

- 3.1 Rest the bottom fixing slots on the bottom locating hooks. Lift the upper frame fixing slots onto the top locating hooks and lower into final position, see Diagram 3.



#### 530 & 670 Models

- 3.2 Rest the bottom fixing slots on the bottom locating hooks. Lift the upper frame fixing slots onto the top locating hooks and lower into final position, see Diagram 3.



### 4. Cleaning the Frame - All Models

**Ensure the appliance is cold before attempting to clean the frame.**

- 4.1 The painted finish should be cleaned using a damp cloth and buffed with a lint free duster.

**Gazco Limited, Osprey Road, Sowton Industrial Estate, Exeter, Devon, England EX2 7JG  
Technical Customer Services: (01392) 261950 Fax: (01392) 261951  
E-mail: [technicalservices@gazco.com](mailto:technicalservices@gazco.com)**