



Esprit Front

For use with the Riva2 500 HL



Instructions for Use and Installation
For use in GB, IE (Great Britain and Republic of Ireland)

Installation Instructions

Covering following model numbers:

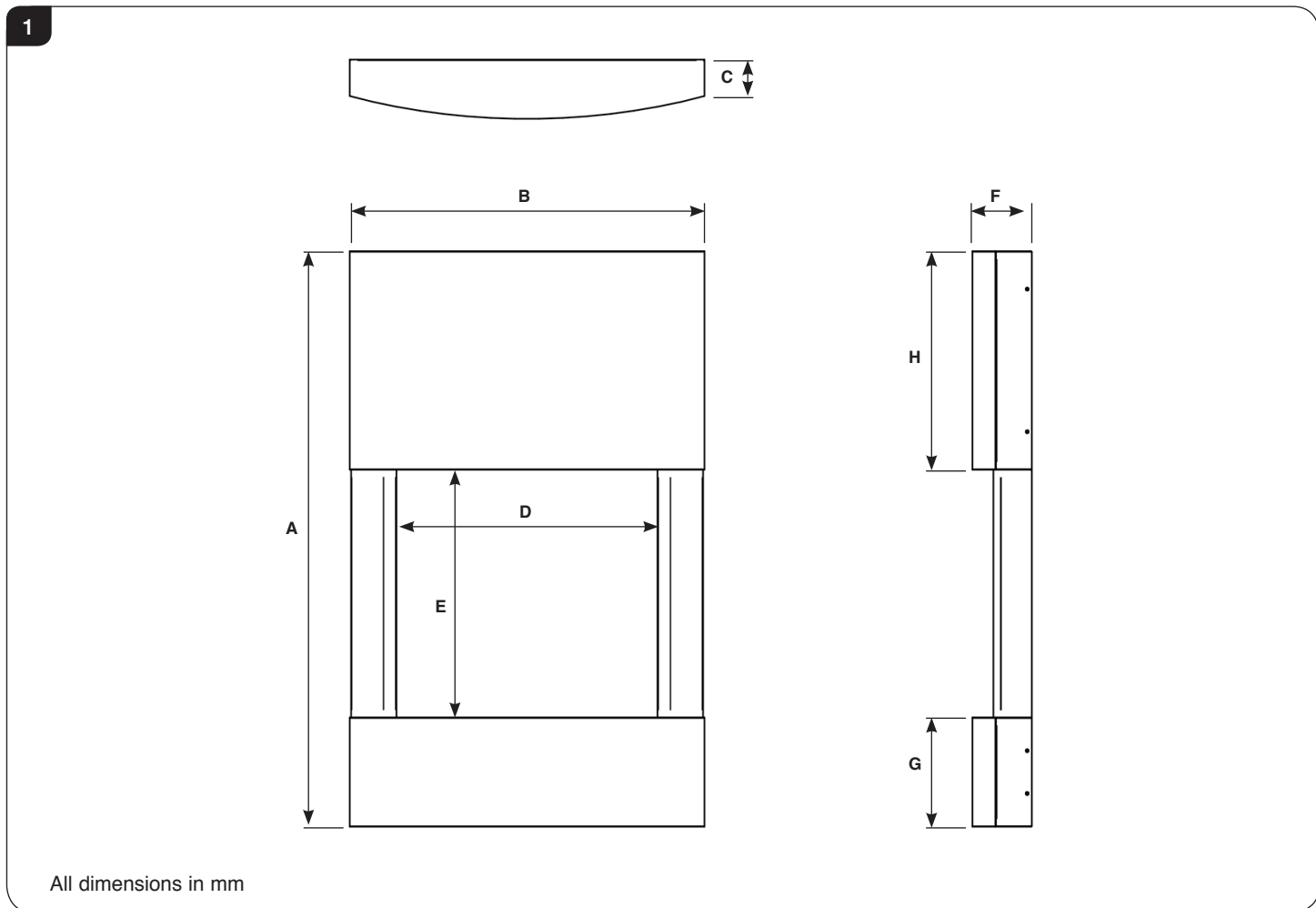
Colour	Esprit
Graphite	934-268

1. General

i **IMPORTANT:** Fitting of this decorative front requires brackets to be fitted to the appliance during installation.

- 1.1 These instructions are supplementary to, and must be read in conjunction with the instructions supplied with the appliance. Read both thoroughly before installation.
- 1.2 Fitting of this decorative front requires work to be carried out during the installation procedure. Ensure any necessary actions are taken prior to fitting the appliance.

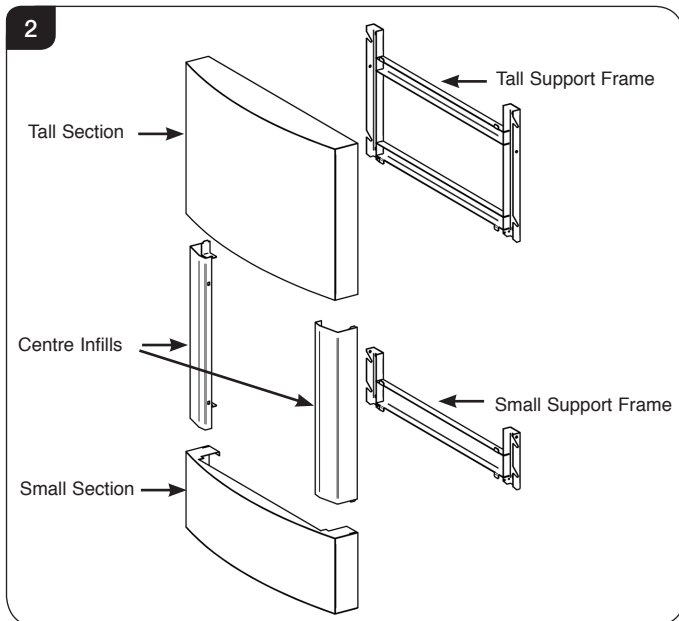
i The Esprit can be installed in two ways, see Diagram 3.
 - With the small section at the bottom and the tall section at the top, shown in Diagram 1.
 - With the tall section at the bottom and the small section at the top.
 The dimensions are the same regardless of which option is used.



Model	A	B	C	D	E	F	G	H
Riva2 500HL	1211	746	77	549	521	125	230	460

Installation Instructions

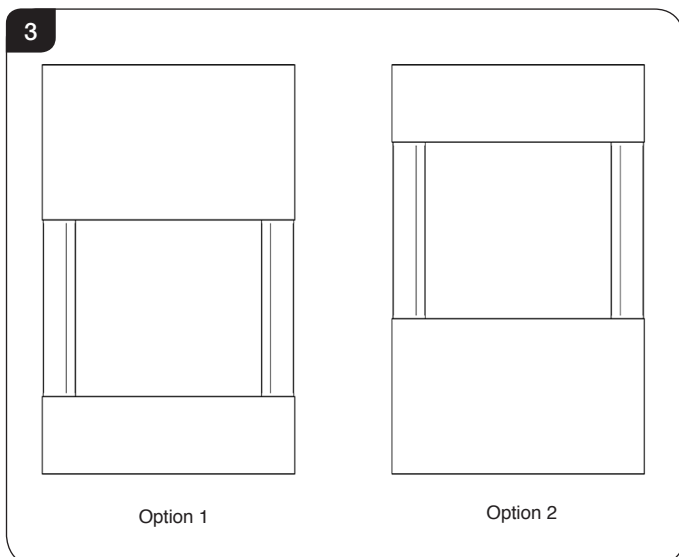
The Esprit consists of 6 main components:



Fixing kit containing

- 6 x No.8 self tapping screws
- 2 x Locking Brackets
- 16 x No.8 Dome Woodscrews
- 16 x No.8 Rawlplugs
- 1 x Instruction manual

Using the components above 2 decorative options can be achieved, see Diagram 3.



The Support Frames have locating tabs on both the top and bottom to enable them to be positioned either above or below the appliance in order to achieve the desired effect.

i **IMPORTANT: Ensure the Support Frames are fitted in the correct orientation for the decorative option required, see Diagram 2.**

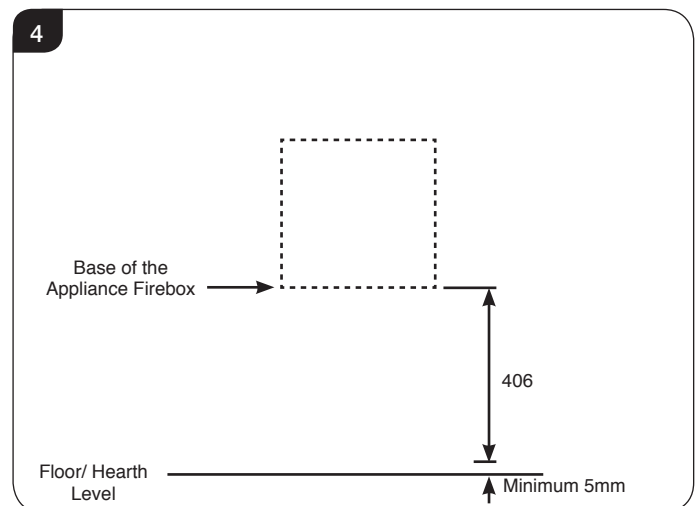
2. Pre-Installation

Before installing the appliance the following needs to be calculated:

- 2.1 Decide on the decorative option required, see Diagram 3.
- 2.2 Decide on the height from the floor/hearth level to the bottom of the decorative front (recommended 5mm minimum clearance).
Add the desired distance between the bottom of the decorative front and floor/hearth level to distance between the bottom of the decorative front and the bottom of the firebox, see below.

Option 1	Option 2
120	406

This gives the total distance from the floor/ hearth to the base of the appliance firebox required when installing the Riva2 500HL, see Diagram 4.



- 2.3 Complete the installation of the appliance by following the Installation Instructions supplied with the appliance.

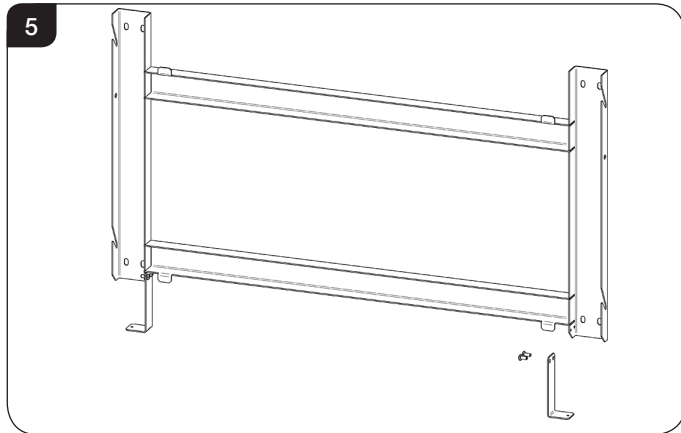
Installation Instructions

3. Fitting the Support Frames



IMPORTANT: Ensure the Support Frames are fitted in the correct orientation for the decorative option required, see Diagram 2.

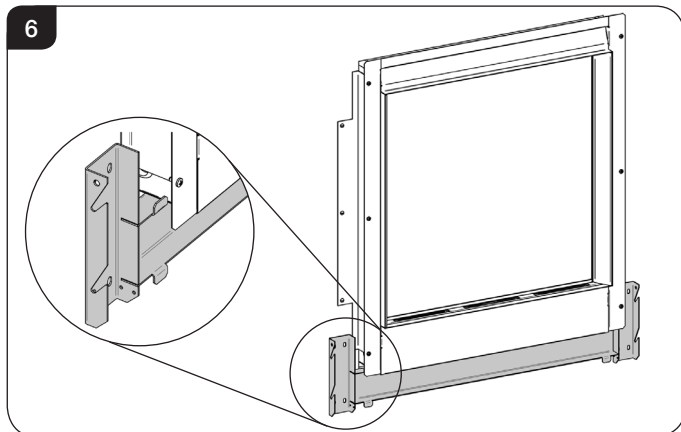
- 3.1 Fix the 2 Locking Brackets supplied to the upper Support Frame, see Diagram 5.



Lower Support Frame

The lower Support Frame must be installed first.

- 3.2 Offer the lower Support Frame to the appliance and position so the tabs locate between the appliance securing bracket and outer box, see Diagram 6.



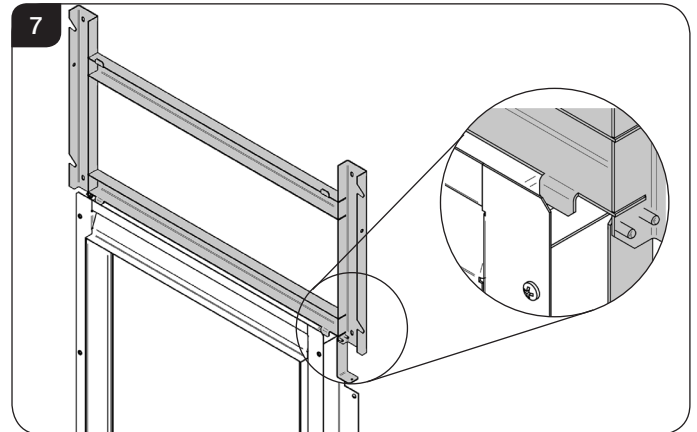
Ensure the Support Frame is the correct way up, see Diagram 6.

- 3.3 Mark the position for the 8 fixing screws.
3.4 Remove the Support Frame, drill the fixing holes and fill with rawl plugs.
3.5 Attach the Support Frame to the wall using the screws provided.

Upper Support Frame

Ensure that the 2 Locking Brackets supplied have been fitted to the upper Support Frame, see 3.1.

- 3.6 Offer the upper Support Frame to the appliance and position so the tabs locate between the appliance securing bracket and outer box, see Diagram 7.



Ensure the Support Frame is the correct way up, see Diagram 7.

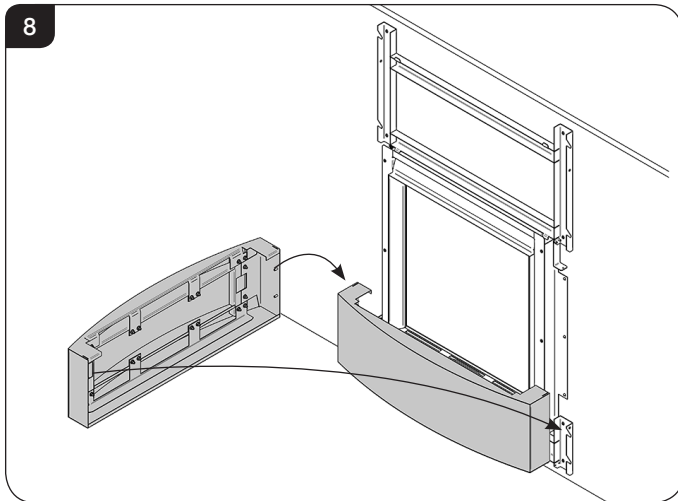
- 3.7 Mark the position for the 8 fixing screws.
3.8 Remove the Support Frame, drill the fixing holes and fill with rawl plugs.
3.9 Attach the Support Frame to the wall using the screws provided.

Installation Instructions

4. Fitting the Front

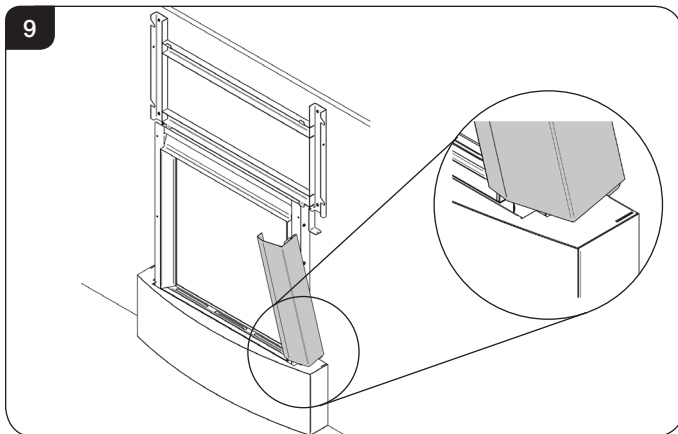
Lower Section

- 4.1 Position the locating studs into the grooves on the lower Support Frame and carefully lower, see Diagram 8.



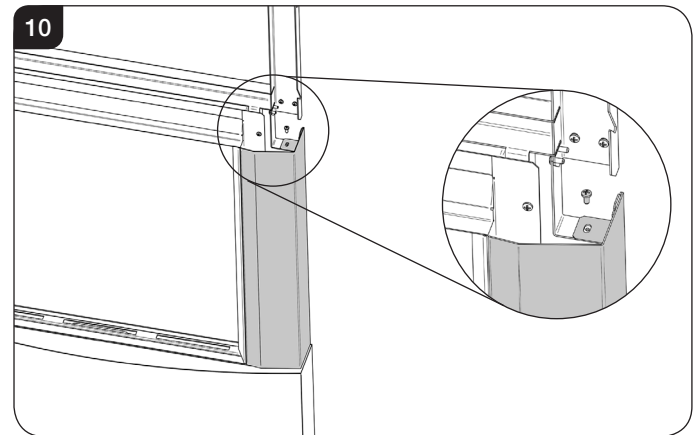
Side Infills

- 4.2 Position the bottom locating tab into the slot in the Lower Section, see Diagram 9.



- 4.3 The side infills are held on by magnets.

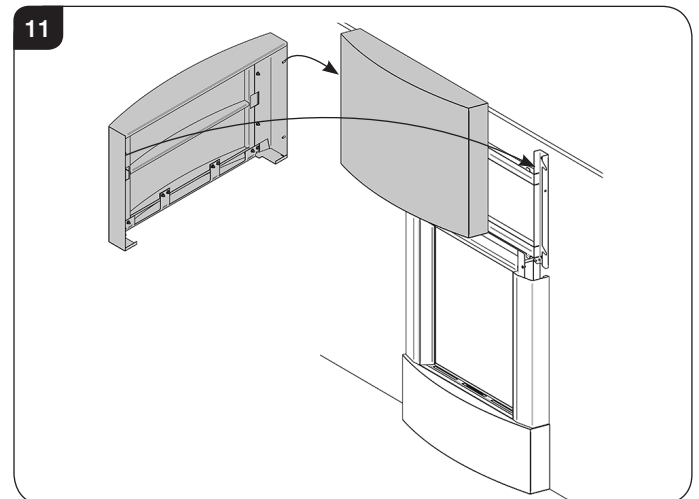
- 4.4 Secure the top of the side infill to the Locating Bracket fitted to the upper Support Frame, see Diagram 10.



- 4.5 Repeat on the other side.

Upper Section

- 4.6 Position the locating studs into the grooves on the upper Support Frame and carefully lower, see Diagram 11.



5. Cleaning the Frame

Ensure the appliance is cold before attempting to clean the front.

- 5.1 The metal front should be cleaned using a damp cloth and buffed with a lint free duster.

Gazco Limited, Osprey Road, Sowton Industrial Estate, Exeter, Devon, England EX2 7JG
Technical Customer Services (01392) 261950 Fax: (01392) 261951
E-mail: technicalservices@gazco.com

A member of the Stovax Group
E & O E