



# Dimension Frame

For use with the Gazco Logic Convector/Hotbox, Logic HE,  
E-Box™ and E-Studio™



**Instructions for Use and Installation**  
For use in GB, IE (Great Britain and Republic of Ireland)

**Covering frame model numbers:**

Model	
Logic Hotbox & Convector (Manual & Remote only)	8681MB
E-Box™/ E-Studio™ Logic HE Convector (Manual & Remote only)	912-322

## 1. General

- 1.1 These instructions are supplementary to, and must be read in conjunction with, the installation instructions supplied with the appliance. Read both thoroughly before installation.
- 1.2 Fitting of this decorative front is to be carried out after the appliance has been installed.

### Logic Hotbox/ Logic Convector

Ensure that the commissioning tests are carried out **AFTER** the fitting of the front.

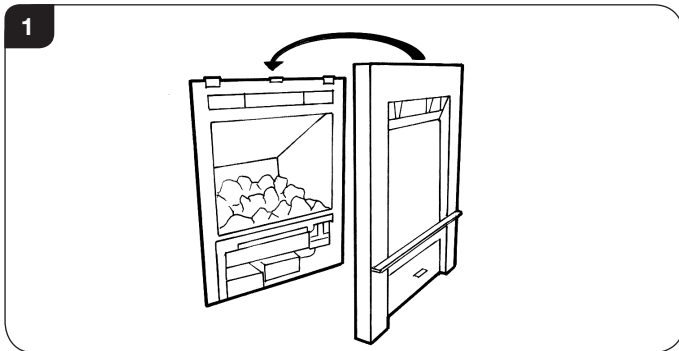
### Logic HE/ E-Box/ E-Studio

Ensure that the commissioning tests are carried out **BEFORE** fitting the front.

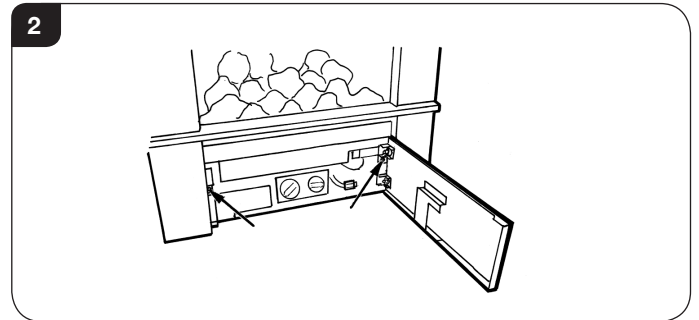
- 1.3 Ensure that these supplementary instructions are attached to the Installation Instructions and leave with the user.

## 2. Fitting

- 1.1 Locate the top edge onto the tabs found at the top of convector box and push down firmly to ensure correct fitting, see Diagram 1.



- 1.2 Open the ashpan door and secure the frame at the base with fixing screws as shown in Diagram 2.



## 3. Commissioning

### Logic Hotbox/ Logic Convector

- 3.1 Continue with the commissioning tests, detailed in the Installation Instructions supplied with the appliance.

## 4. Cleaning the Frame

- 4.1 Only clean the frame when it is cold.
- 4.2 The painted frame should be cleaned using a damp cloth and buffed with a lint free duster.

**Gazco Limited, Osprey Road, Sowton Industrial Estate, Exeter, Devon, England EX2 7JG**  
**Technical Customer Services: (01392) 261950 Fax: (01392) 261951**  
**E-mail: [technicalservices@gazco.com](mailto:technicalservices@gazco.com)**