

Designio2 Frame

For use with Riva2 530/670 Gas, Riva2 670 Electric
and Logic HE



Instructions for Use and Installation
For use in GB, IE (Great Britain and Republic of Ireland)

Installation Instructions

Covering frame model numbers:

Model	Black Glass Finish
Riva2 530	934-293
Riva2 670	934-339
Logic HE - Manual & Remote Control	901-526
Logic HE -Slide Control	901-643

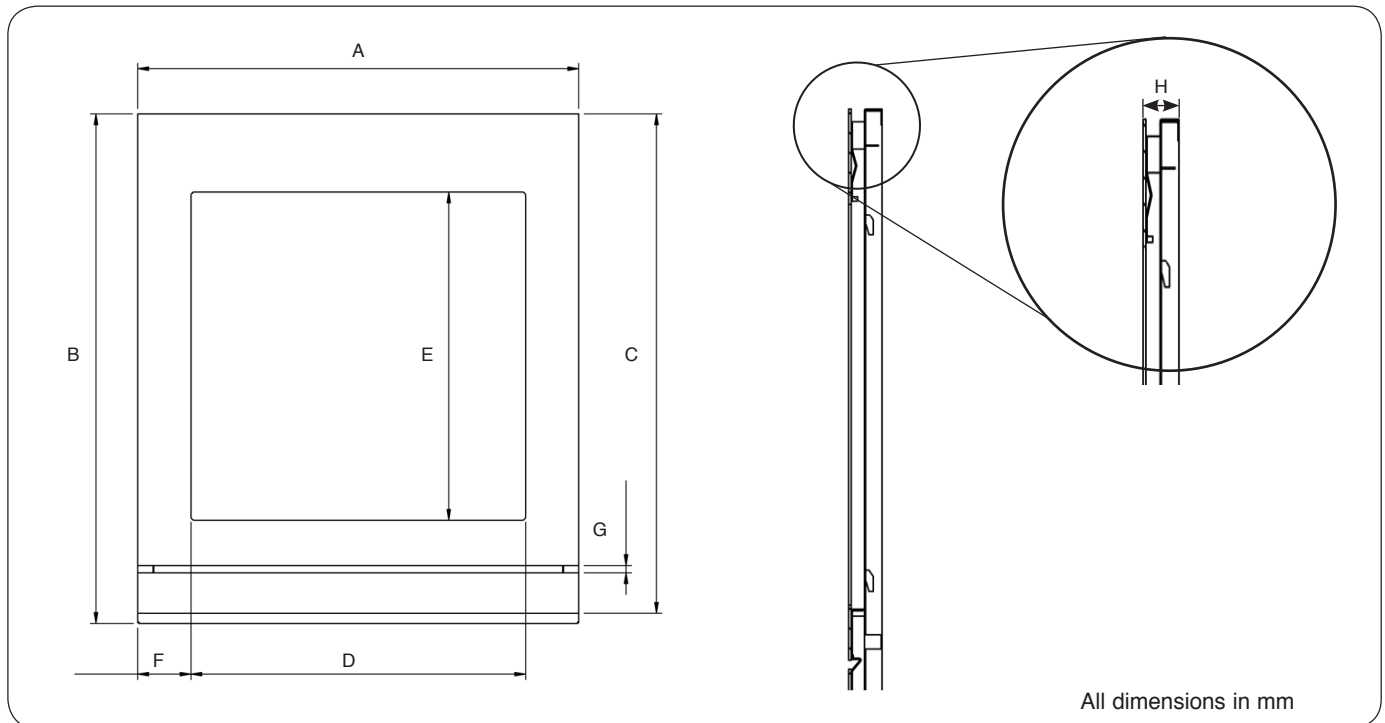
Model	Steel Finish	
	Graphite	Iridium
Riva2 530	934-187	934-187IR
Riva2 670	934-238	934-238IR
Logic HE - Manual & Remote Control	901-493	901-511
Logic HE -Slide Control	901-539	901-580

1. General

1.1 These instructions are supplementary to, and must be read in conjunction with, the instructions supplied with the appliance. Read both thoroughly before installation.

1.2 Fitting of this decorative front should be carried out after the appliance has been installed and commissioning tests completed.

1.3 Ensure that these supplementary instructions are attached to the appliance installation instructions and leave with the user.



All dimensions in mm

Model		A	B	C	D	E	F	G	H
Riva2 530	Steel	610	704.3	690.3	463	453.9	73.5	10	38
	Glass	610	704.3	690.3	463	453.9	73.5	10	40
Riva2 670	Steel	735	569	553	590	318.9	72.5	10	38
	Glass	735	569	553	590	318.9	72.5	10	40
Logic HE	Steel	519	606	595	370	286	74.5	12	40
	Glass	519	606	595	370	286	74.5	12	42

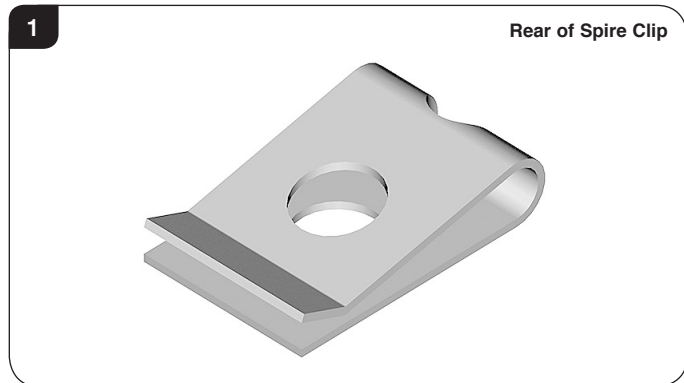
Installation Instructions

2. Fitting the Subframe

- 2.1 Complete the installation of the appliance by following the installation instructions supplied with the appliance.

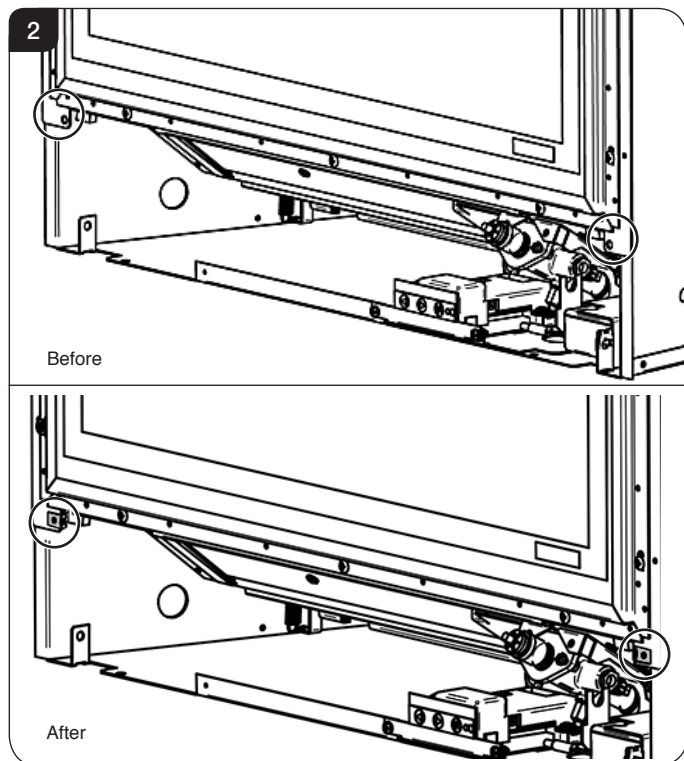
Riva2 670 Balanced Flue Models

- 2.2 Before fitting the subframe it will be necessary to attach 2 Spire Clips to the tabs on the firebox, see Diagram 1.



These allow the screws provided to hold the sub frame securely in position.

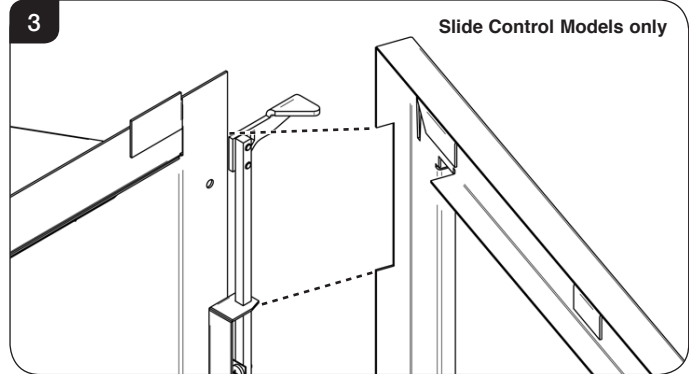
- 2.3 Slide the Spire Clips over the tabs in the firebox ensuring the flat side faces forward so the clip sits flush to the tabs, see Diagram 2.



The sub frame can now be fitted.

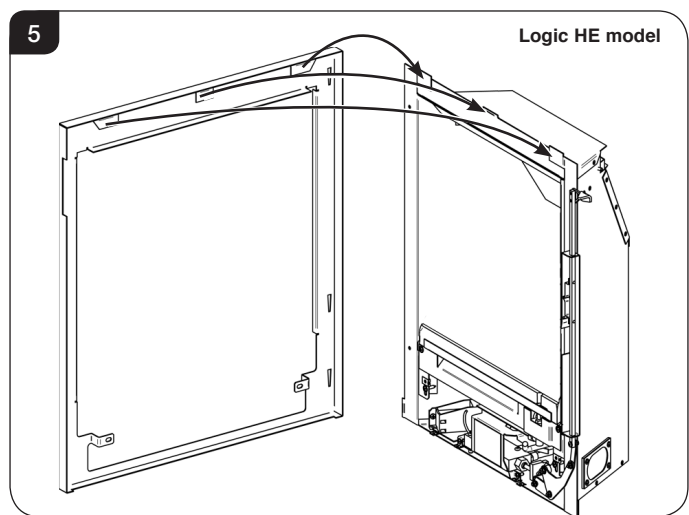
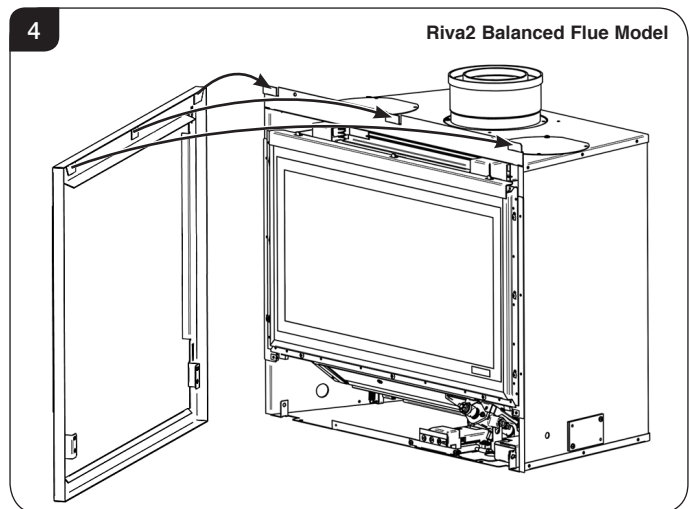
i **NOTE:** The Riva2 670 Conventional Flue models do not need Spire Clips and have the screws already in place. These will need to be removed prior to fitting the sub-frame.

! **Slide Control Models only:**
Caution: When fitting the frame ensure that the cutout fits around the slide mechanism, see Diagram 3. Take care not to damage the slide control handle during installation.



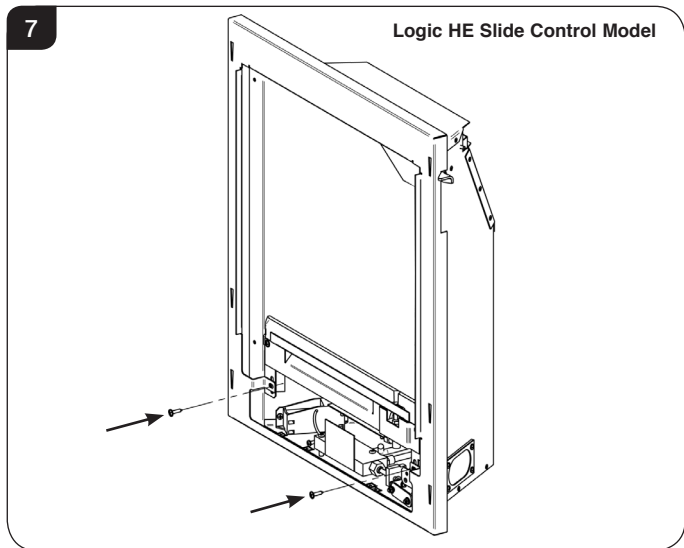
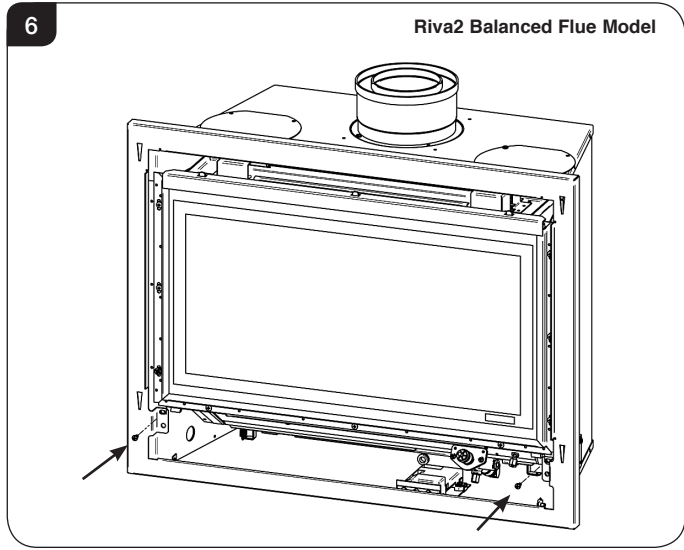
The following instructions cover the fitting of the subframe for all models.

- 2.4 Locate the wall mounting bracket so that the tabs locate in the lugs on the top flange and the bracket rests against the top edge of the top flange. Ensure the bracket is resting centrally, see Diagrams 4 or 5.



Installation Instructions

2.5 Secure the bracket to the bottom of the appliance with the 2 screws supplied, see Diagrams 6 or 7.

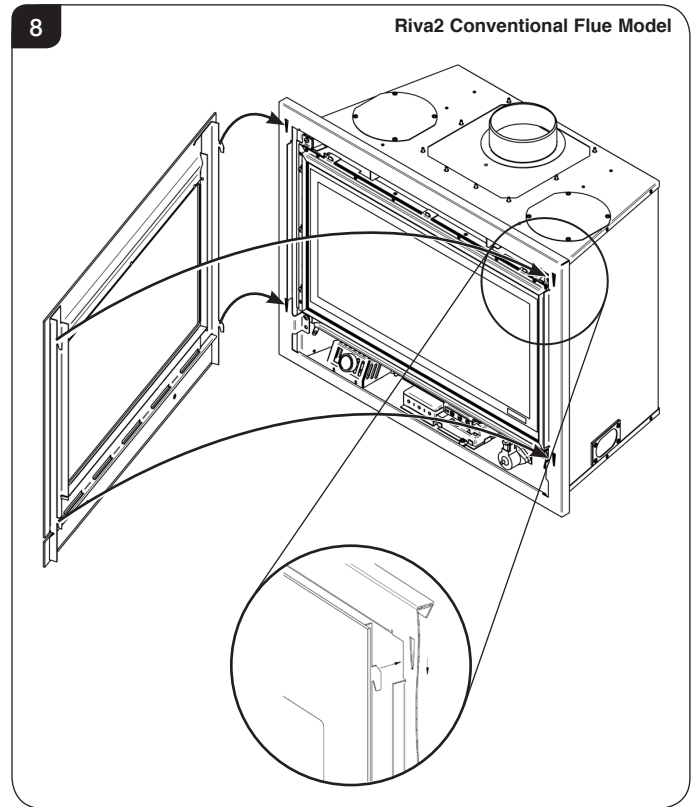


3. Securing Frame to the Appliance

IT IS RECOMMENDED THAT 2 PEOPLE FIT THIS FRAME FOR EASE OF INSTALLATION, PARTICULARLY LIFTING TO FINAL POSITION.

Riva2 530/ 670 only

3.1 Rest the bottom fixing hooks into the bottom locating slots. Lift the upper frame fixing hooks into the top locating slots and lower into final position, see Diagram 8.



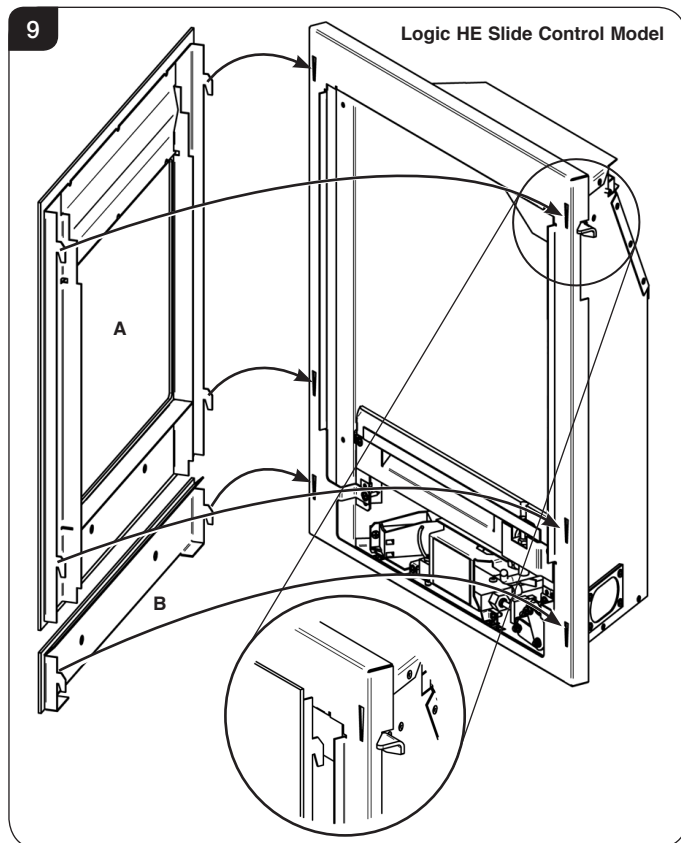
Installation Instructions

Logic HE only

The frame consists of 2 sections.

To fit the top section:

- 3.2 Locate the bottom fixing hooks into the bottom locating slots. Lift the upper frame fixing hooks into the top locating slots and lower into final position, see Diagram 9.



To fit the bottom section/ control cover:

- 3.3 Locate the fixing hooks into the locating slots and lower into final position, see Diagram 9.

4. Cleaning and Controls

Ensure the appliance is cold before attempting to clean the frame.

- 4.1 Do not use abrasive cleaners.
 4.2 Clean using a damp cloth and buff with a lint-free duster.
 4.3 Logic HE models only:
 Access to the controls is behind the bottom section/ control cover of the frame.

FIXING KIT COMPONENTS

COMP No.	Description	Quantity
PR1659	Instructions	1
FA0041	Spire Clip	2
FA0198	No.8 x 3/4 Black Washer HD Pozi	2

Gazco Limited, Osprey Road, Sowton Industrial Estate, Exeter, Devon, England EX2 7JG
Technical Customer Services (01392) 261950 Fax: (01392) 261951
E-mail: technicalservices@gazco.com

A member of the Stovax Group

E & O E