



Fire Your Imagination

Beat Front

For use with the Gazco Logic HE



Instructions for Use and Installation
For use in GB, IE (Great Britain and Republic of Ireland)

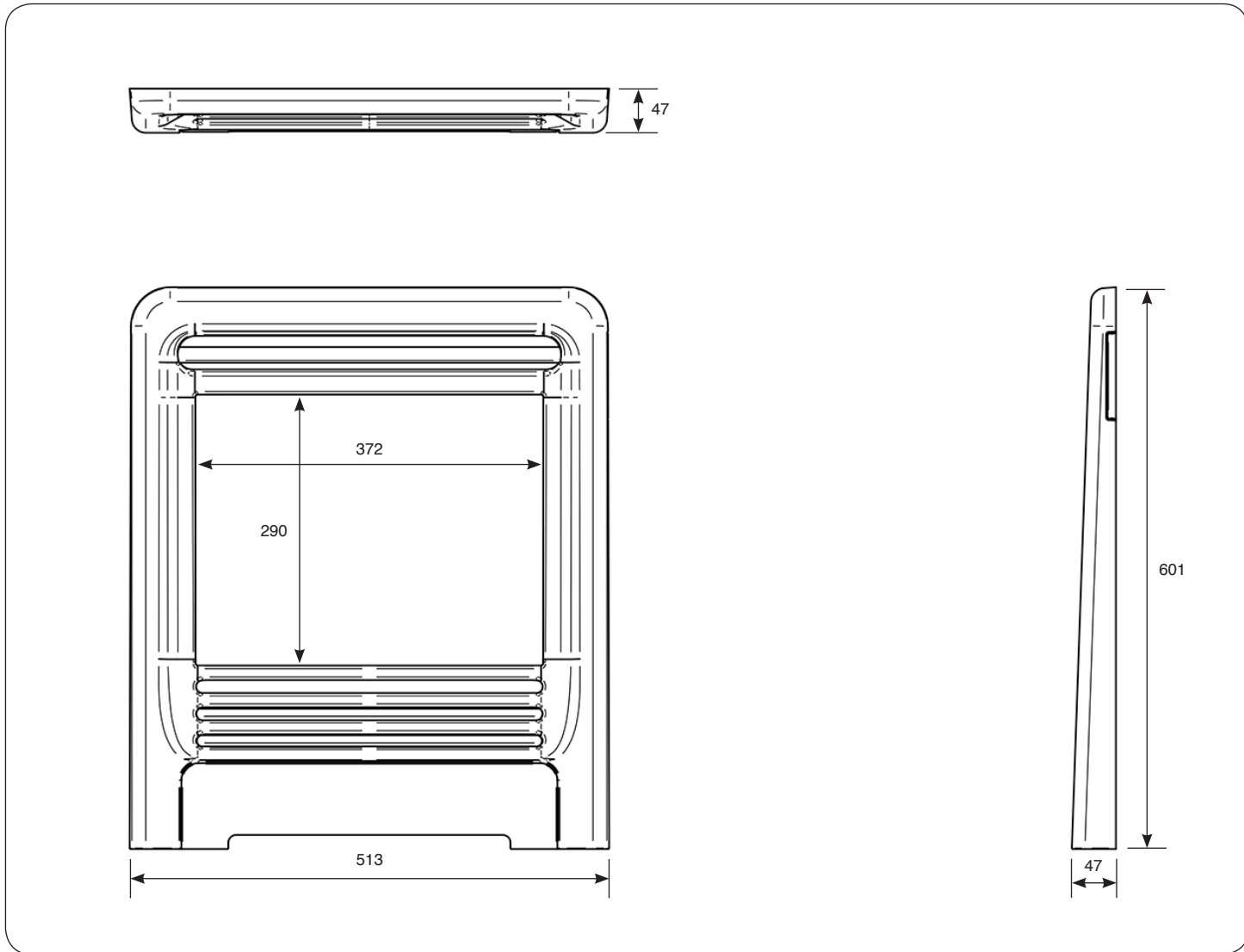
Installation Instructions

Covering frame model numbers:

Beat Front - Logic HE	
Black	901-350

1. General

- 1.1 These instructions are supplementary to, and must be read in conjunction with, the instructions supplied with the appliance. Read both thoroughly before installation.
- 1.2 Fitting of this frame and front is to be carried out after the appliance has been installed.
- 1.3 Ensure that these supplementary instructions are attached to the appliance installation instructions and leave with the user.



Installation Instructions

2. Commissioning

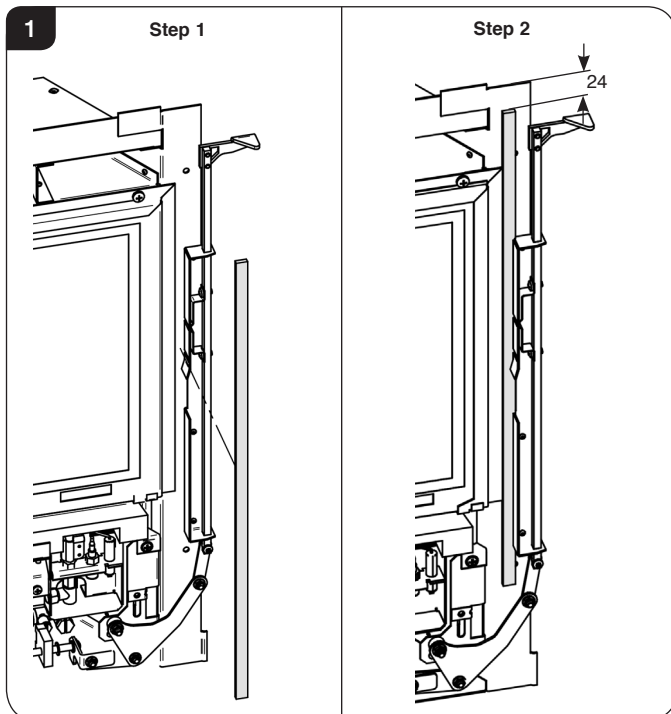
If fitting the decorative frame and front ensure that the commissioning tests are carried out BEFORE fitting the front.

3. Fitting the Frame

Slide Control Models Only

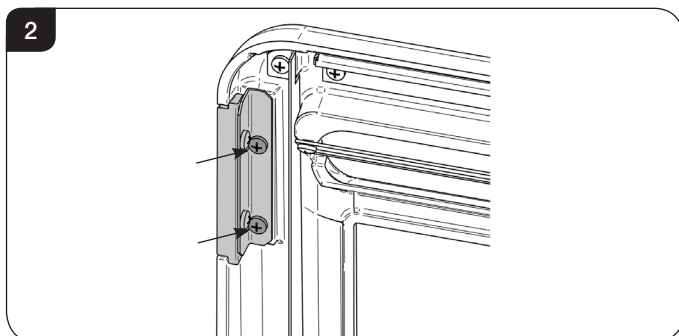
The foam seal must be fitted to the appliance prior to attaching the Beat front.

- 3.1 On the right hand side of the appliance, place the foam seal in the channel between the glass frame and the slide control housing, see Diagram 1.

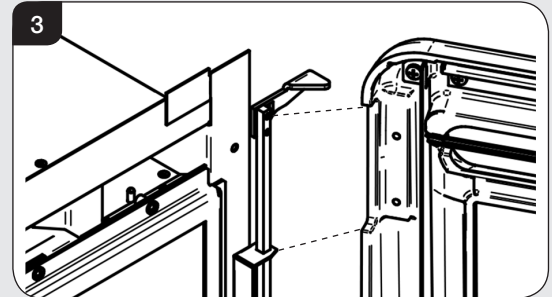


The foam seal must align with the right hand side of the glass frame and 24mm below the top of the appliance flange.

- 3.2 **NOTE:** To fit the Beat Front first remove the 2 screws securing the infill to the inside of the Front, see Diagram 2.

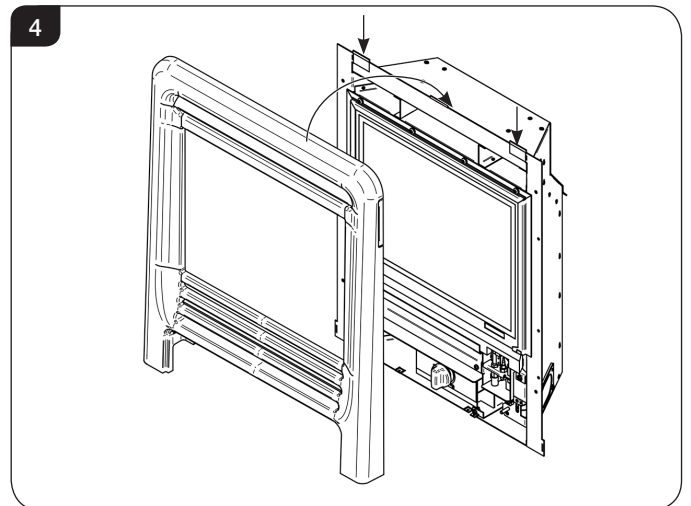


Caution: When fitting the frame ensure that the cutout fits around the slide mechanism, see Diagram 3. Take care not to damage the slide control handle during installation.

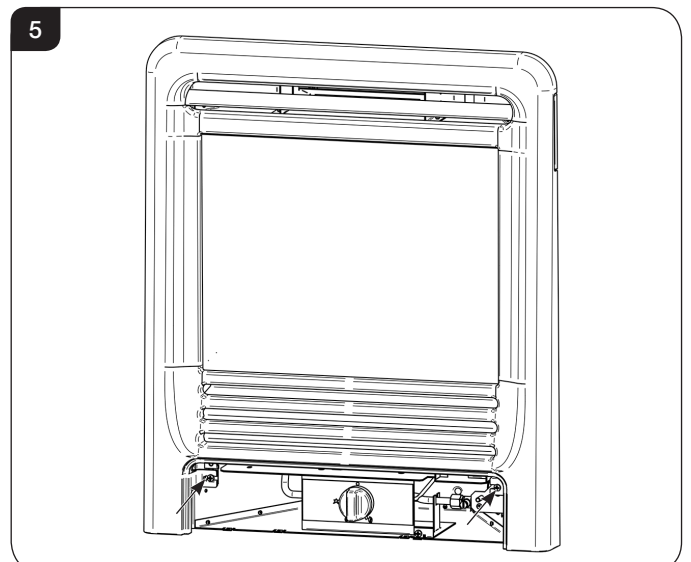


All Models

- 3.3 Locate top edge of frame onto tabs found at the top of convector box and push down firmly to ensure correct fitting, see Diagram 4.



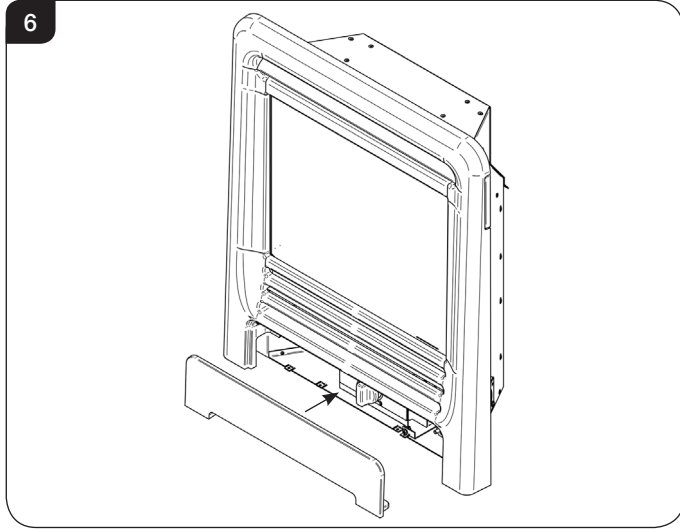
- 3.4 Secure frame at base with fixing screws as shown to ensure rigid fixing, see Diagram 5.



Installation Instructions

4. Fitting the Front

- 4.1 Place ash pan cover into position at base of the front, see Diagram 6.



5. Cleaning the Frame & Front

Ensure the appliance is cold before attempting to clean the frame and front.

- 5.1 All frames and fronts should be cleaned using a damp cloth and buffed with a lint free duster.
- 5.2 Access to the controls is behind the ash pan cover.

Gazco Limited, Osprey Road, Sowton Industrial Estate, Exeter, Devon, England EX2 7JG
Technical Customer Services (01392) 261950 Fax: (01392) 261951
E-mail: technicalservices@gazco.com