



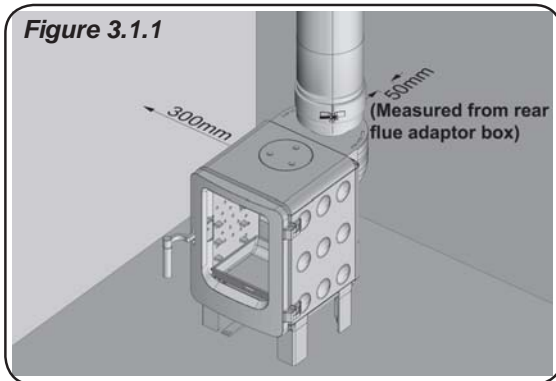
DISTANCES TO COMBUSTIBLES

The ApplePie stove has been extensively tested to establish safe distances to combustible surfaces. These surfaces would normally be adjacent walls, but the same principles need to be applied to any combustible object near to the stove.

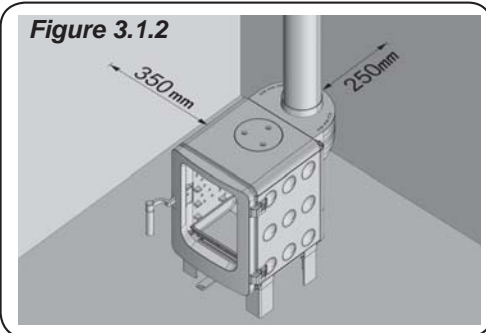
The following distances need only be observed when there are combustible surfaces around the stove. They do not apply if all adjacent surfaces are solid non-combustible and of suitable thickness.

When NOT using the optional enclosure system:

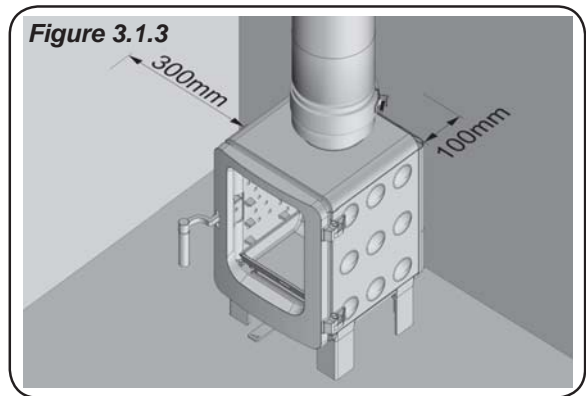
Scenario A) Stove is backed up towards a wall, using twin-wall insulated flue all the way, and using rear vertical flue adaptor: see **Figure 3.1.1**



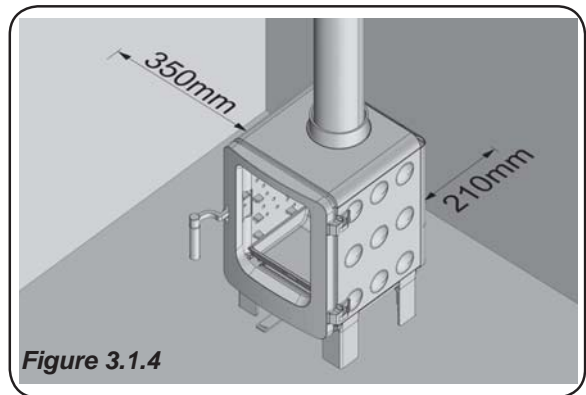
Scenario B) Stove is backed up towards a wall, starting with single skin pipe, and using rear vertical flue adaptor: see **Figure 3.1.2**



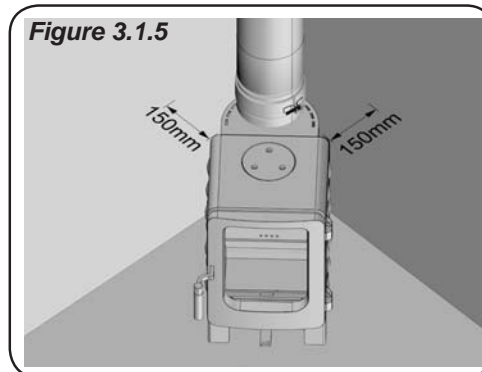
Scenario C) Stove is backed up towards a wall, using twin-wall insulated flue all the way, and using top flue outlet: see **Figure 3.1.3**



Scenario D) Stove is backed up towards a wall, starting with single skin pipe, and using top flue outlet: see **Figure 3.1.4**



Scenario E) Stove is in a corner position at 45degree angle to each adjacent wall, using twin-wall insulated flue all the way, and using rear vertical flue adaptor: see **Figure 3.1.5**



Scenario F) Stove is in a corner position at 45degree angle to each adjacent wall, using twin-wall insulated flue all the way, and using top flue outlet: see **Figure 3.1.6**

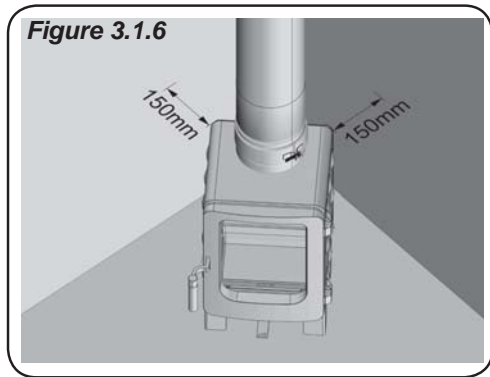


Figure 3.1.6

When using the optional enclosure system:

Scenario G) Stove in enclosure system using rear-verticle flue adaptor and 4" twin-wall insulated flue. Enclosure is orientated towards a wall behind: see **Figure 3.2.1**

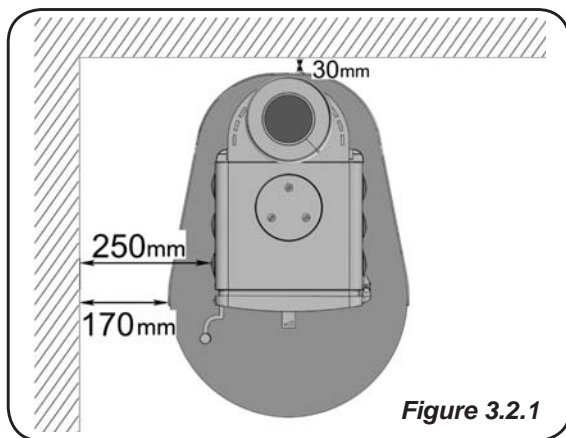


Figure 3.2.1

-If it is necessary to use a short length of single skin pipe first, then the distance to rear of enclosure, from the wall should be increased to 50mm minimum. See **Figure 3.2.2**

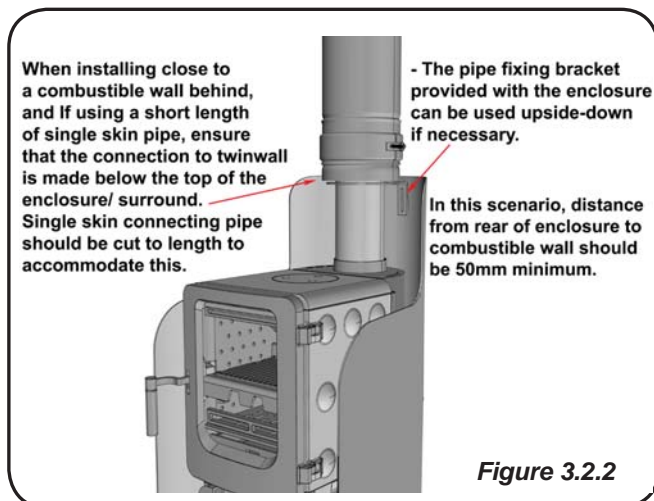


Figure 3.2.2

Scenario H) Stove in enclosure system using rear-verticle flue adaptor and either single skin or insulated flue. Enclosure is in a corner position at 45 degree angles to each wall: see **Figure 3.2.3**

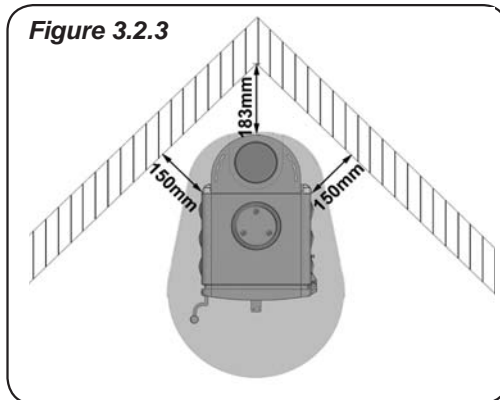


Figure 3.2.3

Scenario I) Stove in enclosure system using top flue outlet and either single skin or insulated flue. Enclosure is in a corner position at 45 degree angles to each wall: see **Figure 3.2.4**

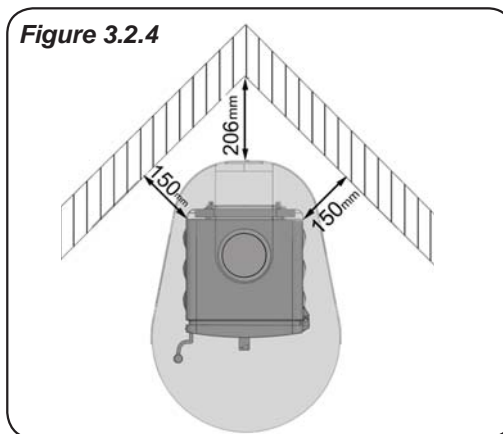


Figure 3.2.4

When there is a requirement to position the stove closer than these minimum clearances from combustibles:

In the event that the above safe distances to combustibles cannot be achieved, additional heat-shields can be attached to the wall, allowing the stove to sit much closer to adjacent walls.

Consult your installer, speak to Ekol, or consult the relevant HETAS guidance.