

Clover

Baby Penguin Pom-Pom

Designed by
Reimi Yoshitani



Make Cute
Little Friends!



Sign up at www.clovertoolschool.com

Supplies

- **Pom-Pom Makers - Art No. 3124, 3126, 3127, 3129**
 - 1 inch (25 mm)
 - 1 ⁵/₈ inch (45 mm)
 - 2 ¹/₂ inch (65mm)
- **Patchwork Scissors - Art No. 493/CW**
- **Pen Style Needle Felting Tool - Art No. 8901**
**Note: You will only need to use 1 needle for this project*
- **Needle Felting Mat - Art No. 8910 & 8911**
- **Stitching Needle**

Materials

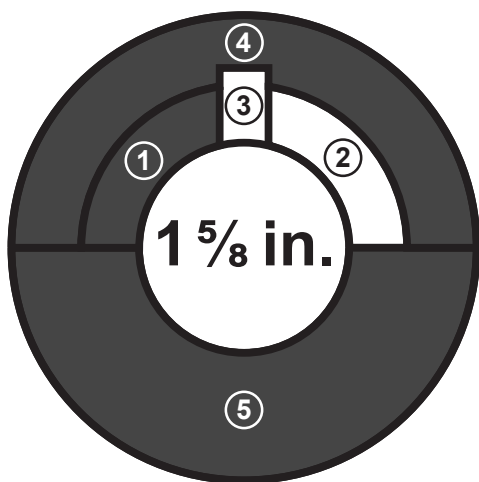
- **Size 4 - Medium (Worsted) Yarn**
 - **Black**
 - **White**
 - **Grey**
- **Natural Wool Roving (Black) - Art No. 7932**
- **2 Plastic Safety Eyes (4.5 mm round)**
- **Craft Glue**

How to Make

**For more detailed instructions on how to use Pom-Pom Makers, please refer to the instructions included with the product.*

Head:

1. Wrap the yarn around the $1 \frac{5}{8}$ inch Pom-Pom Maker in the order as shown in the diagram:



- ① Wrap Black 30 times
- ② Wrap White 50 times
- ③ Wrap White 10 times (Cover ① Black)
- ④ Wrap Black 40 times
- ⑤ Wrap Black 100 times



2. Cut the thread wrapped around the arches of the Pom-Pom Maker. Be careful not to leave anything uncut.



3. Wrap about 16 inches of yarn around the Pom-Pom maker twice, pull the yarn tightly, and tie it twice.



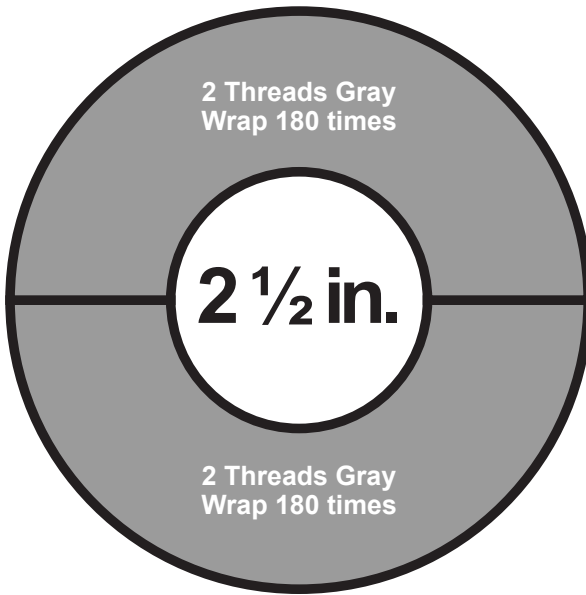
4. Tie one more knot to secure the Pom-Pom.



5. Open one arch at a time on both sides, and carefully pull both sides of the Pom-Pom maker apart to release the Pom-Pom head.

Body:

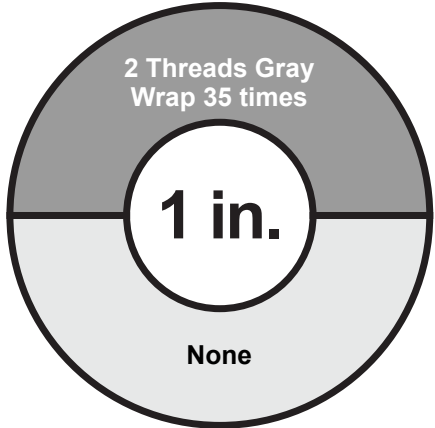
1. Use the 2 ½ inch Pom-Pom Maker to make the body.
Follow the diagram as shown:



2. Repeat Steps 2-5 from making the “Head.”

Arms (Make 2):

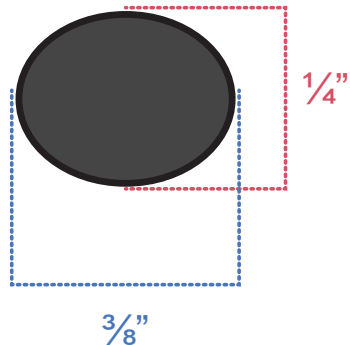
1. Use the 1 inch Pom-Pom Maker for both of the arms. Follow the diagram as shown:
2. Repeat Steps 2-5 from making the “Head.” However, for Step 3 wrap about 10 inches of yarn around the Pom-Pom Maker instead of 16 inches.



It's half a Pom-Pom!

Beak:

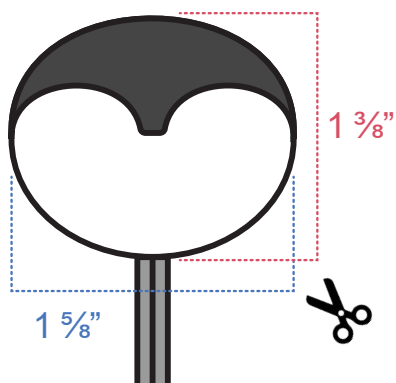
1. Loosen the wool, roll it up, and place it on the Needle Felting Mat.
2. Use the Pen Style Needle Felting Tool to puncture the wool to $\frac{3}{8} \times \frac{1}{4}$ inch.



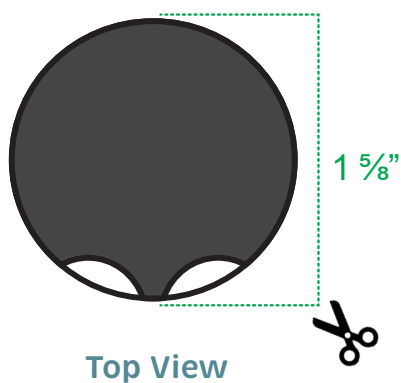
Trimming

Trim each part as described.

Head Dimensions:



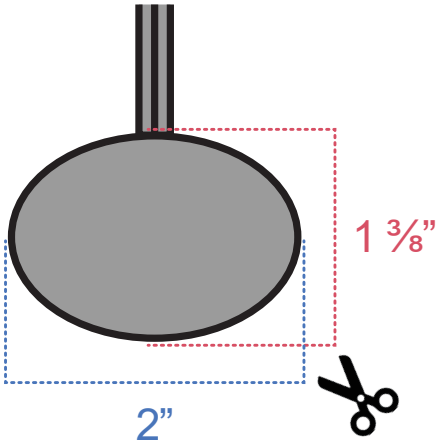
Front View



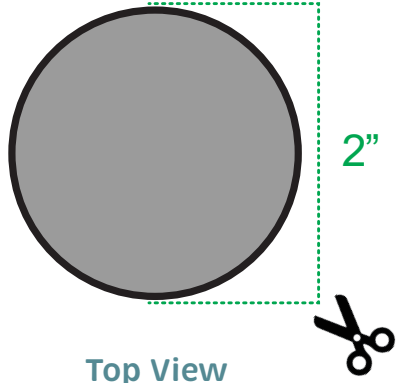
Top View



Body Dimensions:

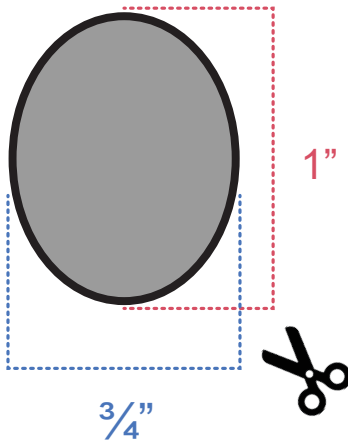


Front View



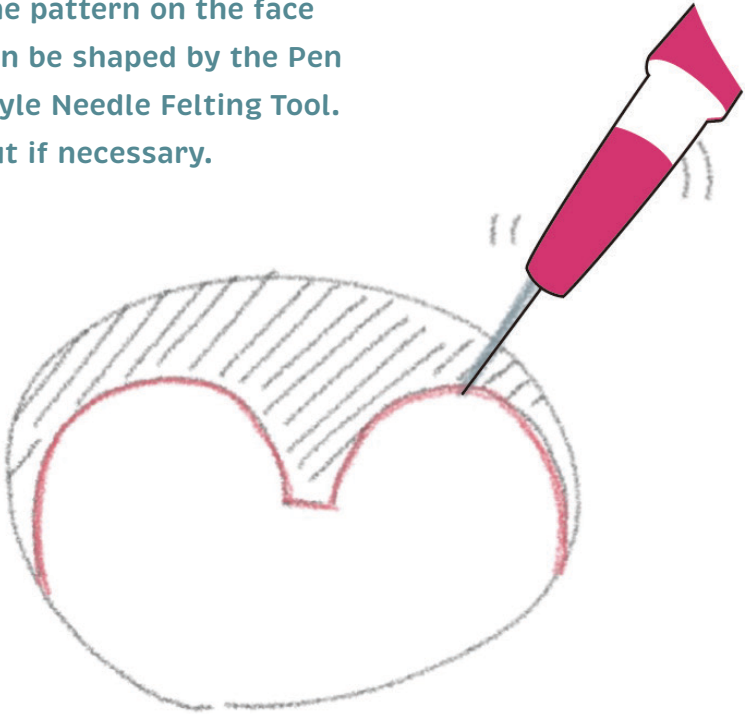
Top View

Arms Dimensions:



Assembly

1. The pattern on the face can be shaped by the Pen Style Needle Felting Tool. Cut if necessary.



2. Create small holes in the head for where you would like to place the eyes. Apply glue to the safety eyes and insert them into the holes of Pom-Pom.

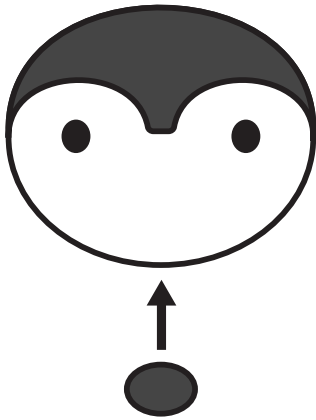


**Note: If you insert the eyes at a slight angle, it will look cuter!*

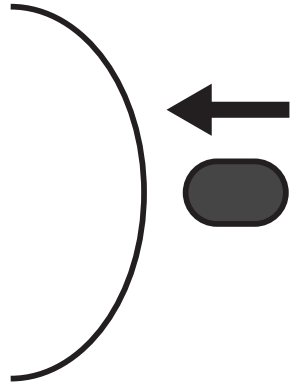
3. Prick the area around the eyes with the Pen Style Needle Felting Tool to make them look wider. Cut around the eyes if necessary.



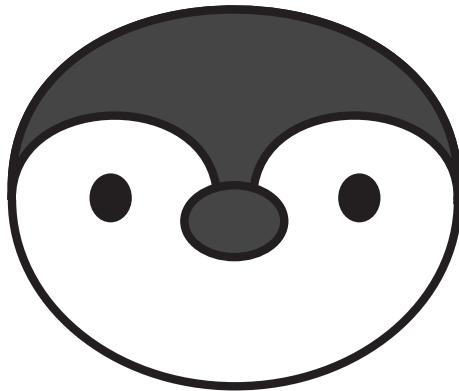
4. Insert the beak with the Pen Style Needle Felting Tool. Stab around the beak to shape and secure the beak.



Front View

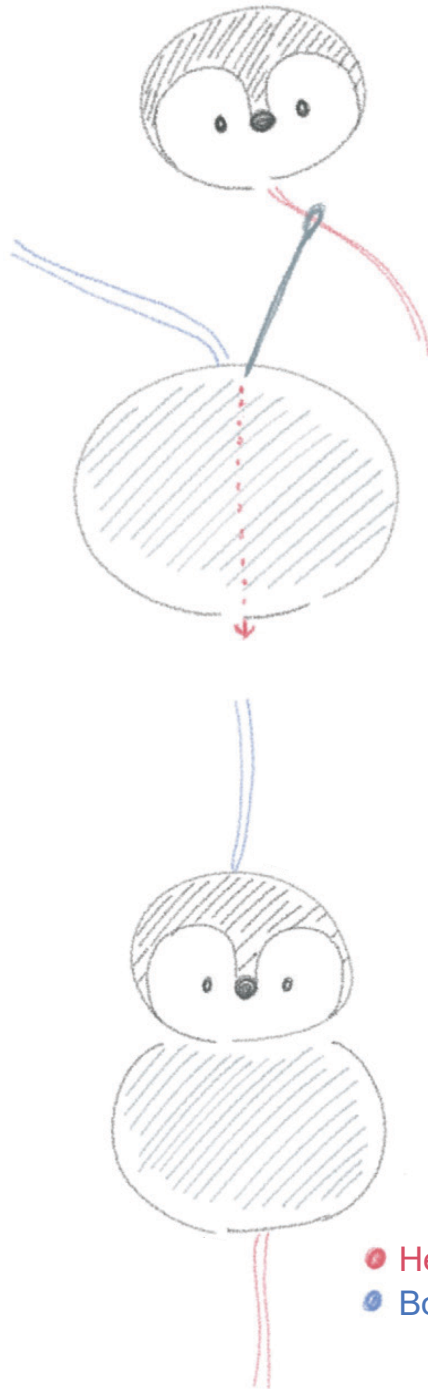


Side View

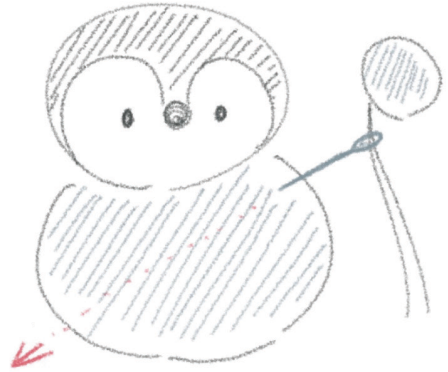


Finished Head

- 5.** Connect the head and body with a stitching needle. Tie the threaded yarn tightly together twice. Cut off the excess yarn.



- 6.** Like the previous step, thread the arms through the body with a stitching needle and tie it. Cut off the excess yarn.



- 7.** For the Baby Penguin Pom-Pom to stand on its own, trim the bottom of the body and cut any protruding yarn.



Finished!





CN CLOVER NEEDLECRAFT, INC.

1441 S Carlos Ave. Ontario, CA 91761

Tel: (800) 233-1703 Fax: (909) 218-2161

www.clover-usa.com www.cloverscatalog.com

Find Us on Social Media:

 blog.clover-usa.com

      @cloverusa

NOV. 2023

CT0237