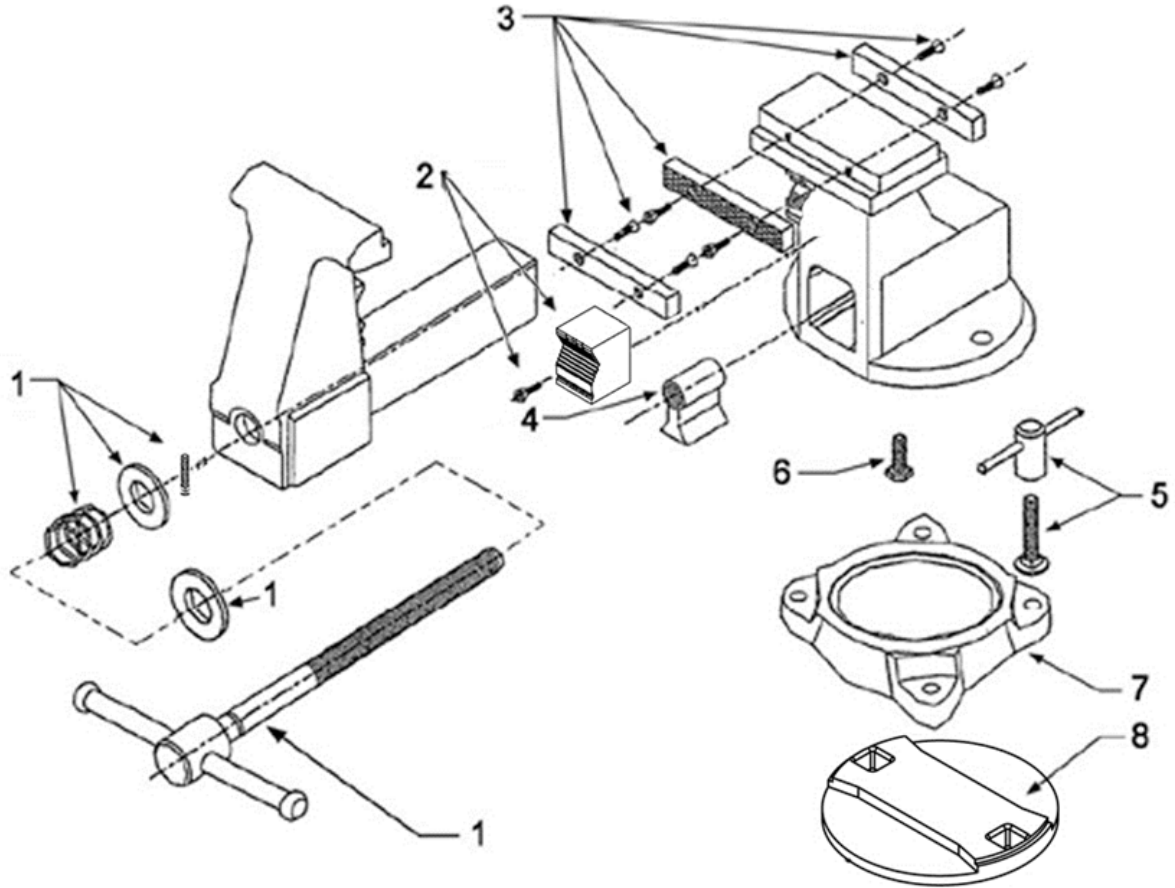


YOST VISES

EST. 1908



Part	Description	Quantity
865-DI-01	Main Screw Assembly	1
865-DI-02	Serrated Pipe Jaw Assembly	2
865-DI-03	Machinist Jaw Assembly	3
865-DI-04	Nut	1
865-DI-05	Lock Down Assembly	2
865-DI-06	Pin	1
865-DI-07	Outer Base	1
865-DI-08	Inner Base	1

Yost Vises
388 W. 24th St.
Holland MI 49423

Contact:
support@yostvises.com
www.yostvises.com
616.396.2063 Customer Service

Yost 904-AS