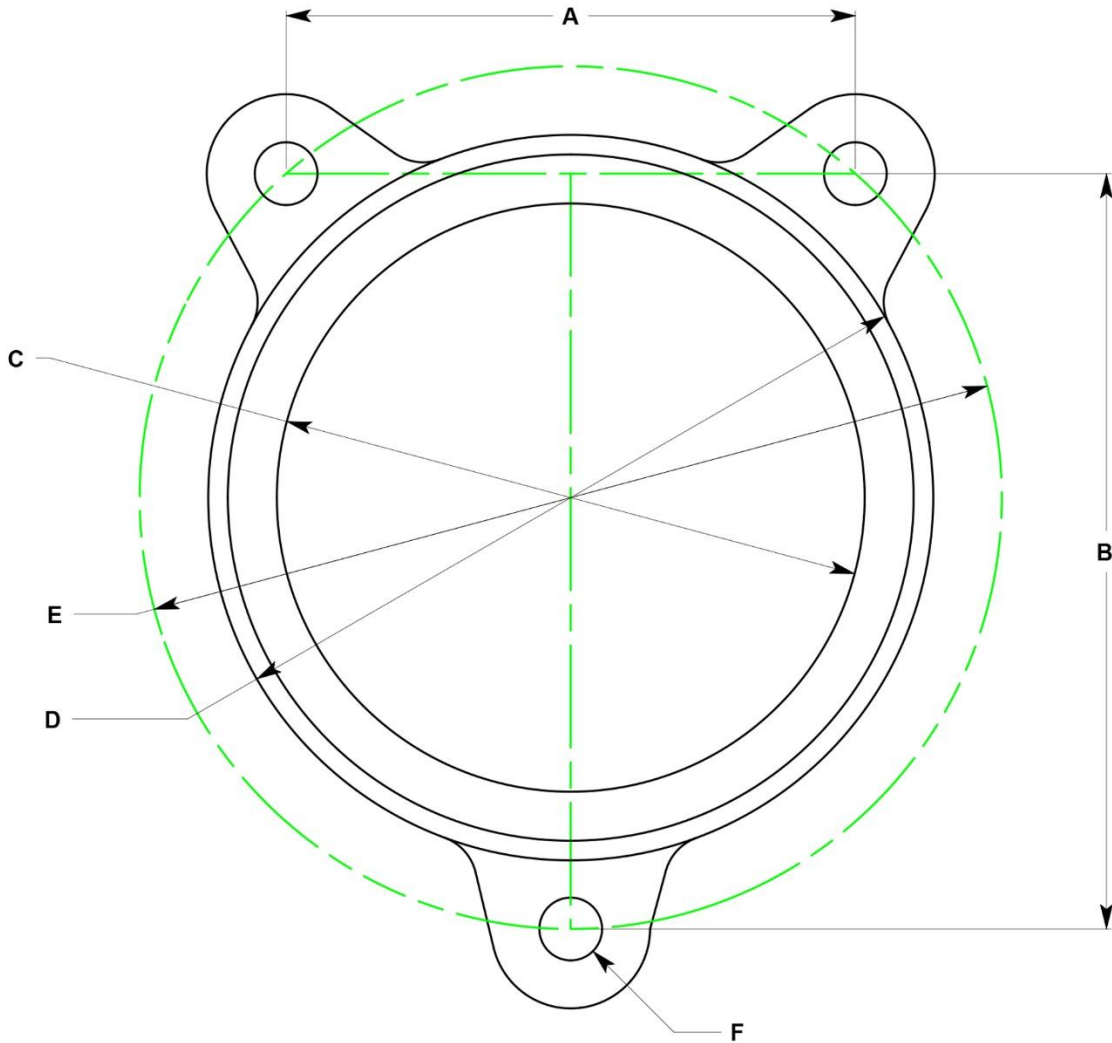


YOST VISES

EST. 1908

Yost 906-AS Base Print



Model	A	B	C	D	E	F
906-AS	5.22	7.26	5.50	6.75	8.20	.562

For Reference only - Not to Scale

Yost recommends that you wait to drill mounting holes until you have set the vise on your workbench. When you have it positioned in the way you best want to use it, please use the base holes on the actual vise to mark your drill holes.