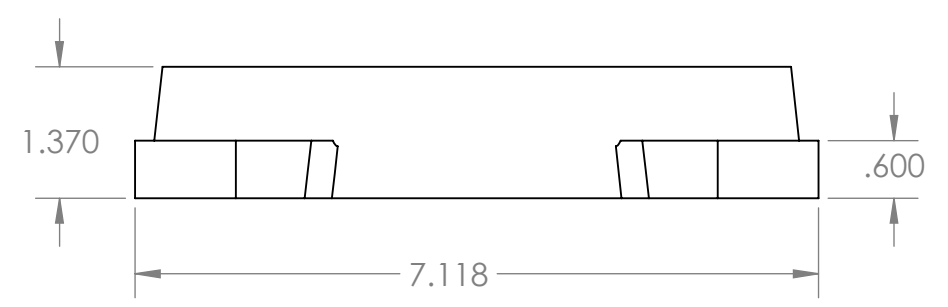
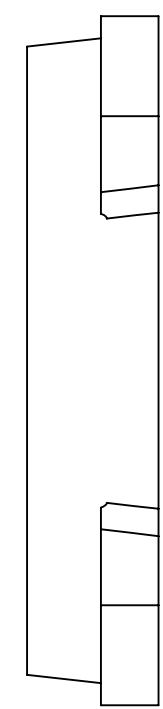
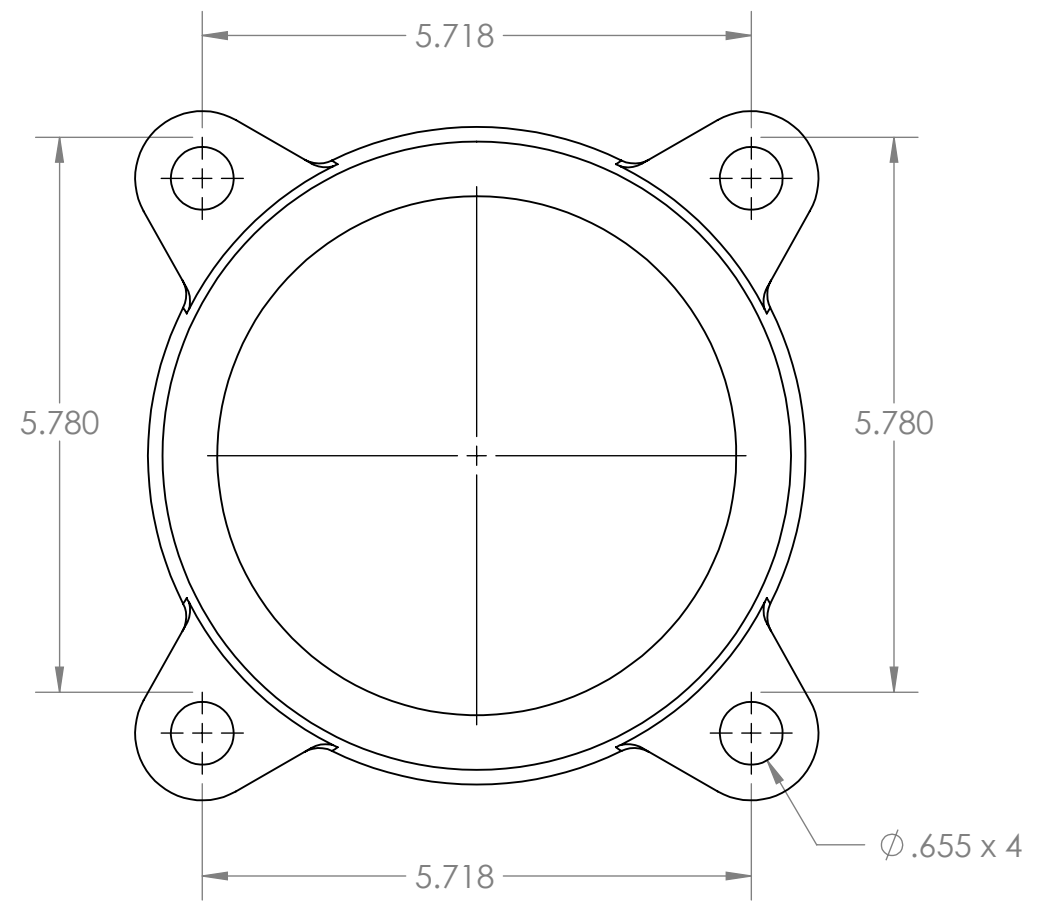


8 7 6 5 4 3 2 1

D  
C  
B  
A



8 7 6 5 4 3 2 1

UNLESS OTHERWISE SPECIFIED: DIMENSIONS ARE IN INCHES TOLERANCES: TWO PLACE DECIMAL $\pm 0.05$ THREE PLACE DECIMAL $\pm 0.01$	SIZE	DWG. NO.	REV
	<b>B</b>	<b>65C Base</b>	<b>1</b>
	SCALE: 1:2	WEIGHT:	SHEET 1 OF 1