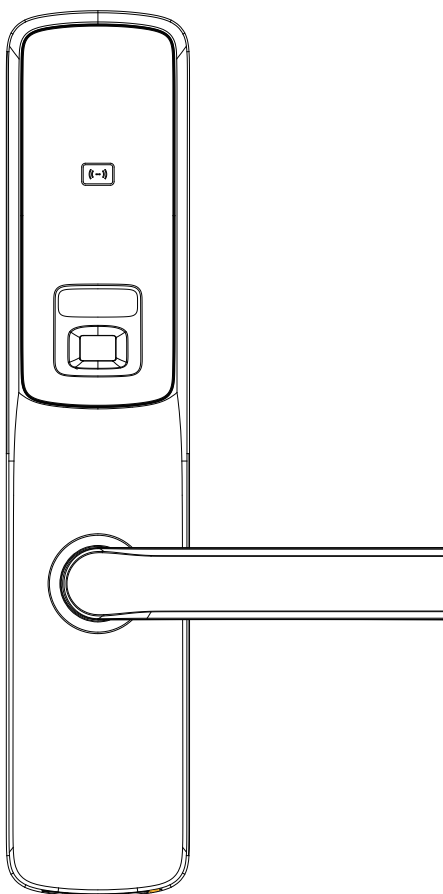




# UltraIQ UL300

Fingerprint and Touchscreen Smart Lock  
User Guide (v1.1)



***ultraIQ***

## Important Notes

This section contains important information to ensure the user's safety and prevent potential damaged to property. Please read this section carefully and use the product accordingly.

- Don't install the product in the place where the gap between the door and the frame is 3/16" (5mm) or more.
- Make sure that no unauthorized person has access to the password.
- Do not operate the product with wet hands, and keep liquids such as water or drinks away from the product, or the product may malfunction or be damaged.
- Do not use excessive force or sharp objects to turn the handle, as this can damage the product.
- Make sure that the door is completely closed when going outside. The manufacturer does not assume the responsibility for any harm caused by engagement of the lock on an improperly closed door.
- Be sure to correctly match the poles (+/-) when installing the batteries. Install the batteries with the correct poles (+/-).
- Do not use water, benzene or alcohol when cleaning the product, as these fluids can cause product malfunction.
- Replace the batteries after the battery replacement alarm sounds.
- According to the wireless communication environment, its battery may drain faster.
- You must use AA Alkaline Battery and not use Lithium Battery or Rechargeable Battery.

## UltraIQ Terms & Policies

Before using all UltraIQ products, please read all applicable terms, rules, policies and usage provisions found at [www.u-tec.com/company/privacy](http://www.u-tec.com/company/privacy). By using your UltraIQ, you agree to be bound by the U-tec Privacy Policy.

## Need Help?

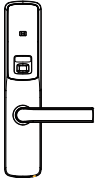
For technical documents and more information, please visit [www.u-tec.com/support](http://www.u-tec.com/support)

Email: [support@u-tec.com](mailto:support@u-tec.com)

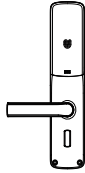
# Packing List

ENGLISH

Interior Assembly



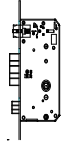
Exterior Assembly



Interior Assembly Mounting Plate



Mortise



Screw A



Screw B



B1

B2

B3

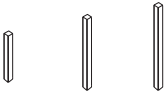
Screw C



Screw D



Spindle



A

B

C

Backup Key



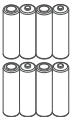
Reset Needle



Spring

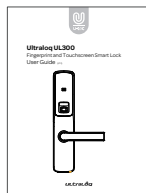


AA Alkaline Batteries

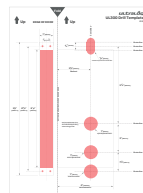


(May not be included for some regions)

User Guide



Drill Template



Bridge



(Optional)

# Installation Guide

## Installation Video



Please scan this QR code to watch the easy step by step installation video before attempting to install UltraLoq UL300. Or you can also view [www.u-tec.com/lock/UI300/guide](http://www.u-tec.com/lock/UI300/guide) directly.

## 1. Door Dimensions

If you have a new door, please drill the holes according to the Drill Template.

### Step 1

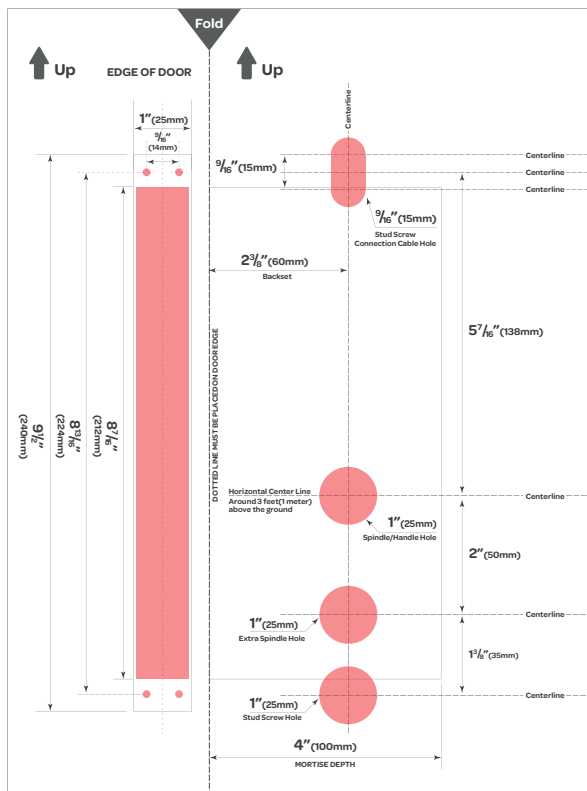
Measure to confirm that the door is between 1-9/16" to 4" (40mm to 100mm)

### Step 2

Measure to confirm that the backset is 4" (100mm)

### Step 3

Measure to confirm the other dimensions.



# 2. Installing Mortise and Strike

## 2.1 Mortise Overview

**Direction Switch:** Used to Mortise Handing.

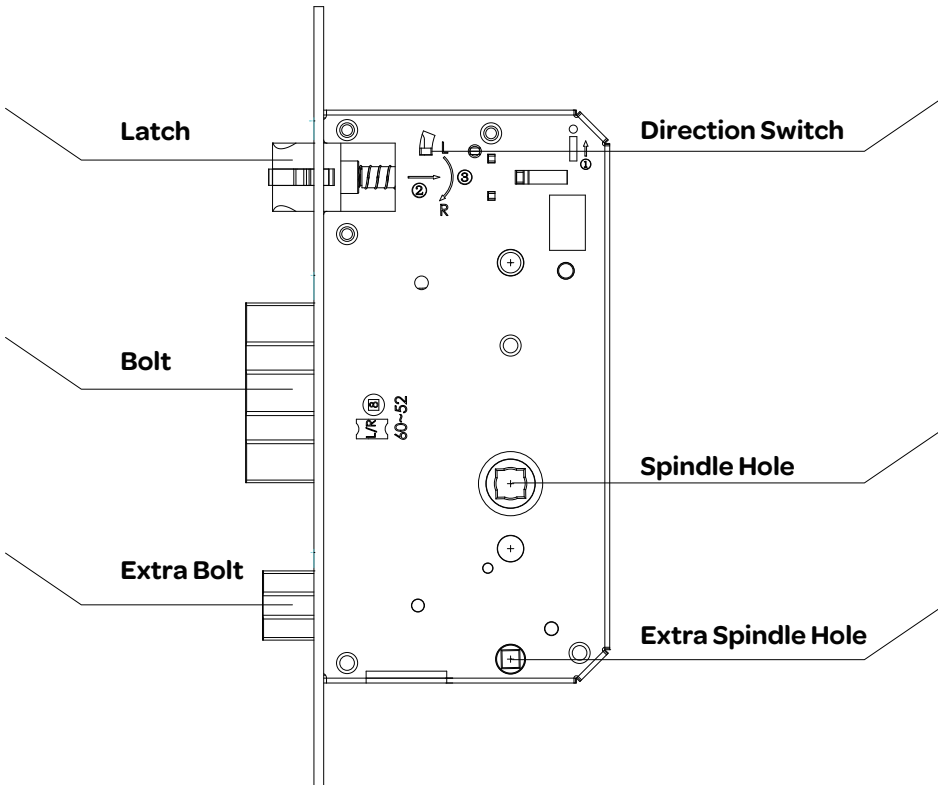
**Latch:** Used to lock and unlock.

**Bolt:** Used to lock and unlock for securer.

**Spindle Hole:** The spindle goes through this hole to drag Latch and Bolt.

**Extra Bolt:** Used for double locked.

**Extra Spindle Hole:** The cylinder tailpiece goes through this hole to drag Extra Bolt.

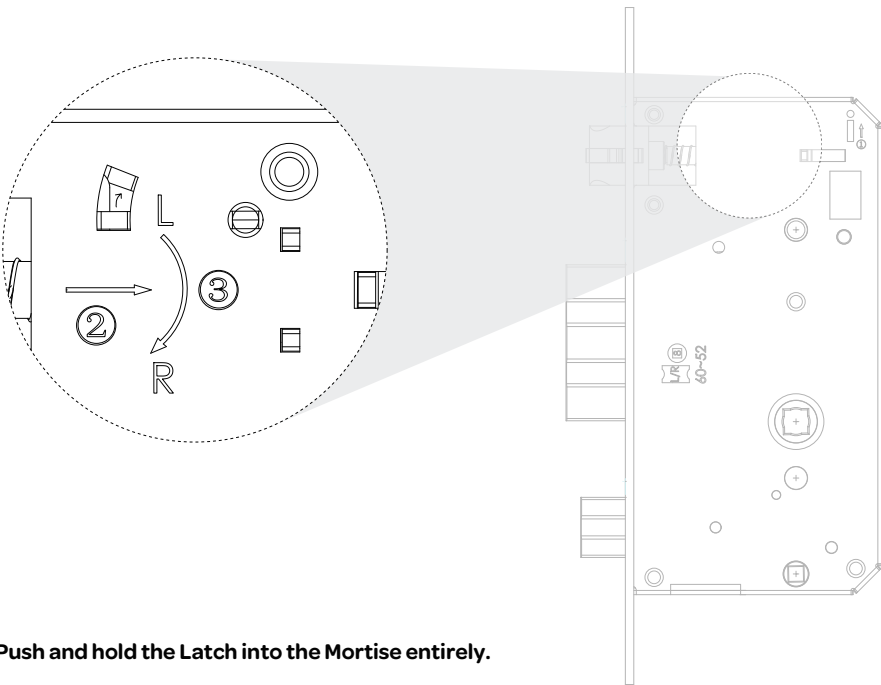


## 2.2 Mortise Handing

Please make sure **the inclined corner is facing the frame**. If the Mortise is in the correct handing for the door, you may skip the next section on Reversing the Mortise Handing.

## 2.3 Reversing the Mortise Handing

**Step 1. keep the Direction Direction Switch to the top all the way.**



**Step 2. Push and hold the Latch into the Mortise entirely.**

**Step 3. While the Latch is inside the Mortise, rotate the Latch 180°.**

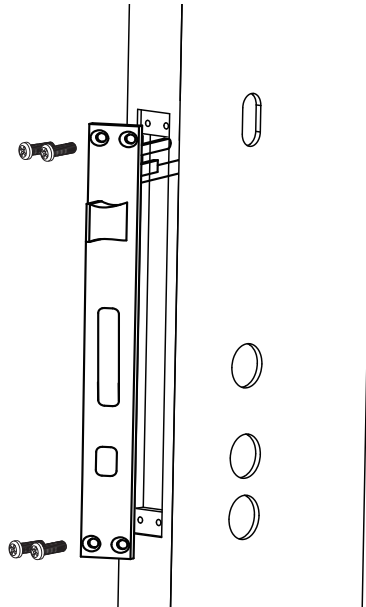
**Step 4. Release the Latch and it will come out of the Mortise.**

Tip: When you release the Latch, please unstuck the small bolt from the side plate of the Mortise.

**Step 5. Release the Direction Switch to default location.**

## 2.4 Installing Mortise

Keep the Bolt and Extra Bolt retracted (unlocked status), then insert the Mortise and tighten 4 Screws A.



### Note:

- The Mortise position should be Latch on top and Bolt in the Bottom.
- The inclined corner of the Latch must be facing towards the Strike in the door's frame.
- Check the door holes dimensions and assure the Mortise fits. If it doesn't, please adjust the holes sizes.  
Don't add hand pressure.

## 2.5 Installing Strike

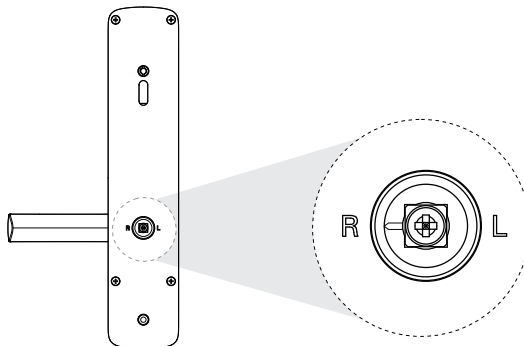
Attach the Strike to the jamb using 4 Screws A.

## 3. Installing Exterior Assembly

### 3.1 Adjust the handle direction of the Exterior Assembly

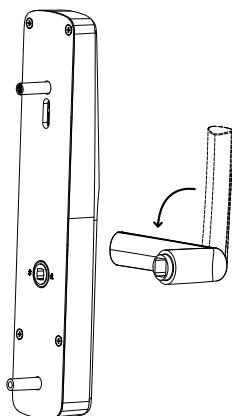
#### Step 1.

Loose the screw inside the hole. Please don't take the screw out during the operation.



#### Step 2.

Take out the handle and adjust it to the correct direction.



#### Step 3.

Tighten the screw to fix the handle.



## 3.2 Installing Exterior Assembly

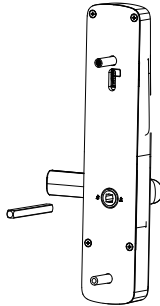
### Step 1.

Insert the spindle into the Exterior Assembly's hole.

If the thickness of the door is between 1-9/16" to 2-3/8" (40mm to 60mm), please use Spindle A (3-1/8", 80mm).

If the thickness of the door is between 2-3/8" to 3-1/8" (60mm to 80mm), please use Spindle B (4", 100mm).

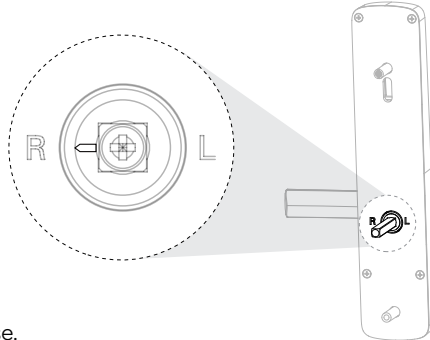
If the thickness of the door is between 3-1/8" to 4" (80mm to 100mm), please use Spindle C (4-3/4", 120mm).



### Step 2.

Adjust the arrow pointing to the handle.

Note: This step is very important, otherwise UL300 handle can't work correctly.



### Step 3.

Pass the cable above the Mortise.

### Step 4.

Insert two screws into the holes, and pass the Spindle through the Spindle hole of the Mortise.

Attach the Exterior Assembly on the door.

### Note:

Before installing the Interior Assembly Mounting Plate, please keep steady the Exterior Assembly. Be sure not to move it.

## 4. Installing in the interior Mounting Plate

### Step 1.

Route the cable through the hole on Interior Assembly Mounting Plate.

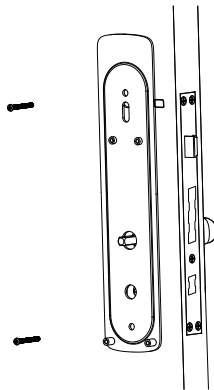
### Step 2.

Attach the Interior Assembly Mounting Plate on the door and tighten two Screws B.

If the thickness of the door is between 1-9/16" to 2-3/8" (40mm to 60mm), please use Screw B1.

If the thickness of the door is between 2-3/8" to 3-1/8" (60mm to 80mm), please use Screw B2.

If the thickness of the door is between 3-1/8" to 4" (80mm to 100mm), please use Screw B3.



### Note:

1. The screw bolts of the Mounting Plate must face the installer.
2. Before tightening the screws completely, tighten one screw up to the middle, then, start with the second one, this way you will have the right installation. After you have both screws up to the middle you can proceed and tighten them completely.

## 5. Installing Interior Assembly

### Step 1.

Adjust the handle direction of the Exterior Assembly. The operation is the same with the exterior handle.

### Step 2.

After confirming the Extra Bolt is retracted, rotate the Extra Bolt Knob to Unlock. The knob and the cylinder tailpiece should be all vertical.

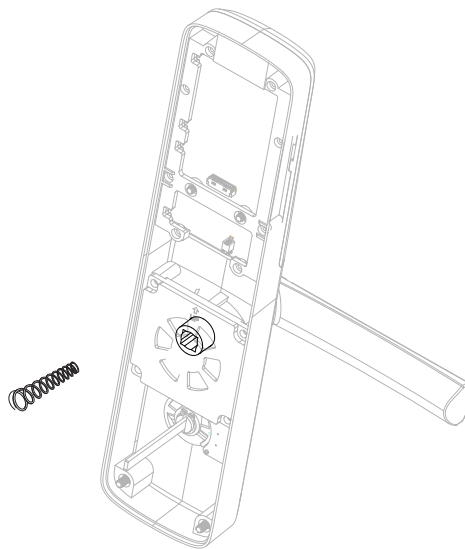
**Step 3.**

Insert the Spring into the hole of the interior handle.

**Note:** This step is important, otherwise the spindle will not drag the Mortise by turning handle.

**Step 4.**

Insert the connector of the cable to the socket of the Interior Assembly. Press the connector firmly until you hear a click.

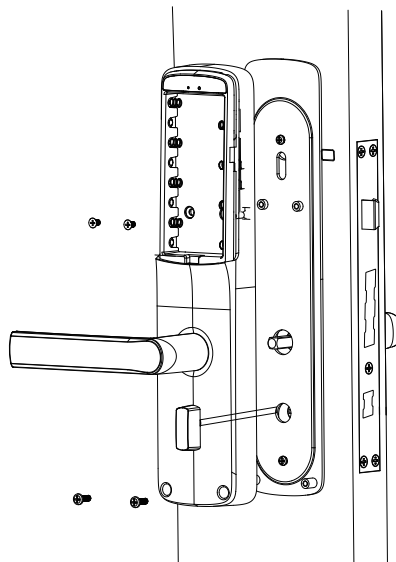


**Step 5.**

Remove the battery box cover.

**Step 6.**

Pass the Extra Bolt's cylinder tailpiece through the Extra Bolt Spindle Hole. Match the handle's hole with the Mounting Plate and the Exterior's Assembly hole. Attach the Exterior Assembly to the Interior Assembly Mounting Plate and tighten Screws C and Screws D.



# Power and Test

## 1. Power On

Install 8 AA alkaline batteries and then the battery box cover.

**Note:**

- UL300 has a double power design. If you only install 4 AA batteries together, above or below (not in the middle) it's enough to power UL300. Although, U-tec recommends installing the 8 AA batteries from the beginning to have a longer battery life.
- Lithium batteries may have a longer life, but when they begin to run out of battery, they drain fast. U-tec doesn't recommend them, as you will not have enough time to change them before the lock becomes non-functional.

## 2. Test Lock and Unlock

When UL300 is in factory default mode, a "No User" message will be displayed, any fingerprint, code or key fob can unlock it. U-tec recommends programming UL300 immediately after the installation. To make sure the installation is correct, please test the lock. Lock and unlock UL300 a couple of times. During this time remember to keep the door open to avoid any problem.

**Step 1.**

Lift up the outside handle, the Bolt will lock.

**Step 2.**

Turn down the inside handle, the Latch and Bolt will unlock.

**Step 3.**

Lift up the inside handle, the Bolt will lock, the Latch, will also lock automatically.

**Step 4.**

Use any Fingerprint, Code or Key Fob to pass verification, then turn down the outside handle, the Latch and Bolt will unlock.

**Step 5.**

Rotate the Extra Bolt Knob, the Extra Bolt will lock or unlock.

If the 5 steps above are all successful, you can begin programming UL300. If any step failed, please re-install UL300 carefully as the guide shows.

# User Guide

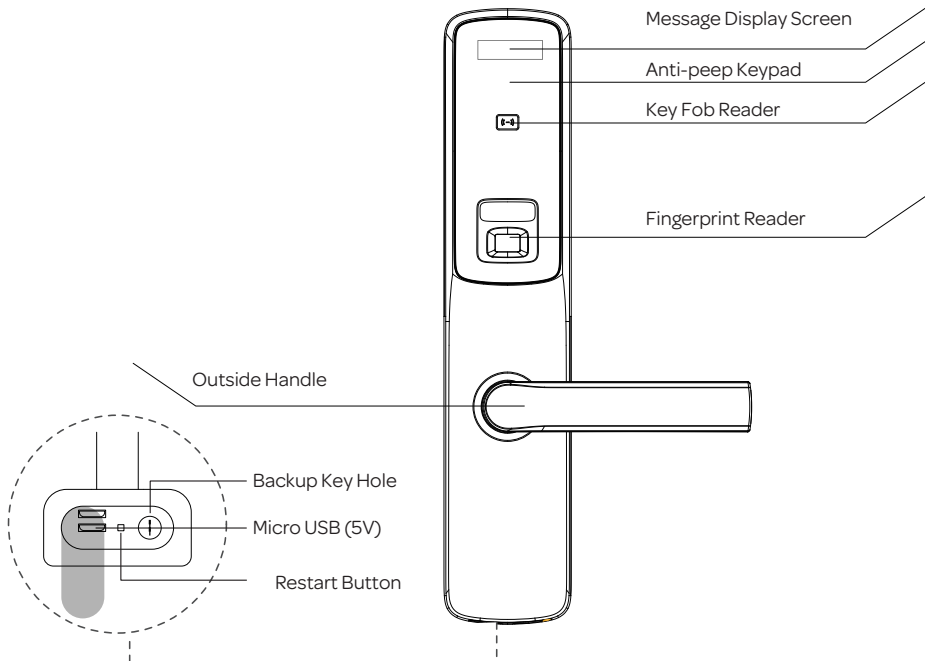
## User Guide Video

Please watch our easy step by step User Guide video before attempting to use your UltraLoq UL300 Smart Lock.



## 1. Product Overview

### 1.1 Exterior



**Anti-peep Keypad**

Used to enter the code and unlock from the outside.

**Fingerprint Reader**

Used to verify your finger and unlock from the outside.

**Key Fob Reader**

Used to verify your key fob and unlock from the outside.

**Message Display Screen**

An OLED display with intuitive information will walk you through the whole operation.

**Micro USB (5V)**

Used to connect a power bank to activate the lock when it runs out of battery.

**Restart Button**

Used to restart the lock if activation fails.

**Backup Key Hole**

Used to insert the key to unlock.

**Outside Handle**

Used to lock or unlock UL300.

**0-9 Number Button**

Used to input number. Number 2 and Number 8 are also used to upturn page and downturn page.

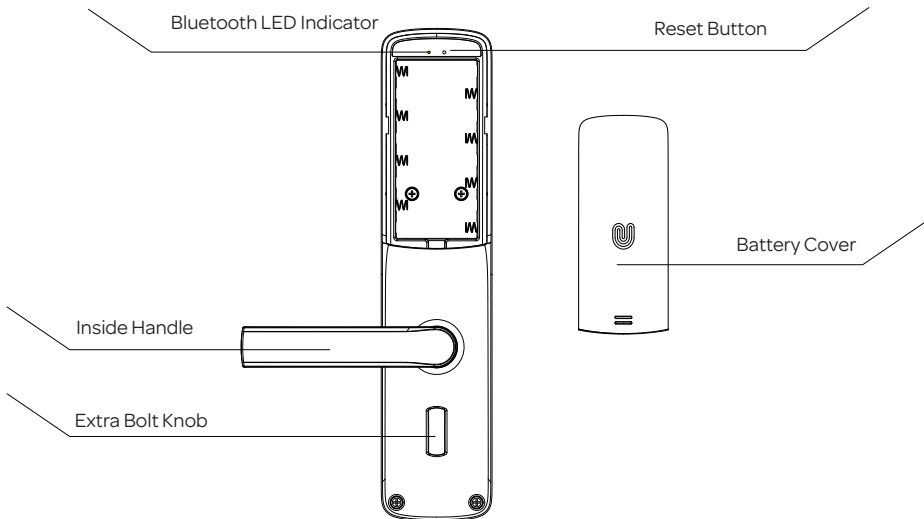
**Back Button**

Used to go back to the previous page.

**Enter Button**

Used to confirm and skip the operation.

## 1.2 Interior



### Bluetooth LED Indicator

When connecting UL300 by App, there will be a steady blue light, otherwise a blue light will blink every second.

### Reset Button

Used to reset UL300 to factory default settings.

### Inside Handle

Used to lock or unlock UL300.

### Extra Bolt Knob

Used to lock or unlock Extra Bolt for double lock.

### Battery Cover

Used to cover the batteries and product label.

(A quick guide and Serial Number Label are printed inside the battery cover.)

## 2. Basic Operation

### 2.1 Cleaning the Keypad and Finger Reader

Use a microfiber cloth and wipe across the Anti-peep Keypad, Fingerprint Reader and Key Fob Reader.

### 2.2 Lock Activation

Place a finger on the Fingerprint Reader, touch the Anti-peep keypad with the back of your hand or fingers, or, present the Fob on the Key Fob Reader.

### 2.3 Open the door from Outside

**Note:** Please confirm that the Extra Bolt is unlocked. Otherwise, UL300 will Display a message on the screen showing "Double Locked", and only the Admin will be able to unlock it.

#### 2.3.1 Unlock by Code

**Step 1.**

Place a finger on the Fingerprint Reader or Anti-peep Keypad to activate UL300.

**Step 2.**

Input the 4-8 digit User Code from a registered user and UL300 will display "Success".

**Step 3.**

Rotate the handle all the way down to unlock UL300.

#### 2.3.2 Unlock by Fingerprint

**Step 1.**

Press the finger on the Fingerprint Reader to activate UL300.

**Step 2.**

Press the finger from a registered user on the middle of the Fingerprint Reader to unlock it. UL300 will display "Success".

**Step 3.**

Rotate the handle all the way down to unlock UL300.

**Note:** For more tips about how to use the fingerprint correctly, please check Page 18.

#### 2.3.3 Unlock by Key Fob

**Step 1.**

Present the Key Fob from a registered user on the Key Fob Reader.

**Step 2.**

Rotate the handle all the way down to unlock UL300.



### 2.3.4 Unlock by Smartphone

**Step 1.**

Press the Unlock Button in the U-tec App.

**Step 2.**

Rotate the handle all the way down to unlock UL300.

### 2.3.5 Backup Key

**Step 1.**

Open the black rubber cover at the bottom of UL300's Exterior Assembly.

**Step 2.**

Insert the Backup Key with a vertical position and rotate it to a Horizontal Position to open it.

**Step 3.**

Rotate the handle all the way down to unlock UL300.

**Note:** Don't forget to remove the Backup Key and close the black rubber cover.

## 2.4 Open the door from inside

**Step 1.**

Rotate the Extra Bolt Knob to Unlock (vertical position).

**Step 2.**

Rotate the handle all the way down to unlock UL300.

## 2.5 Lock from outside

**2.5.1 Lock Latch**

UL300 will lock the Latch automatically after 3 seconds after the last unlock.

**2.5.2 Lock Bolt**

Lift up the Outside Handle to lock the Bolt.

## 2.6 Lock from inside

### 2.6.1 Latch

UL300 will lock the Latch automatically after 3 seconds after the last unlock.

### 2.6.2 Bolt

Lift the inside handle to lock the Bolt.

### 2.6.3 Extra Bolt

Rotate the Extra Bolt knob to lock and have a double lock.

## 2.7 Reset the lock

**Note:** All data will be erased if you reset UL300 to factory default settings.

### Step 1.

Remove the Battery Cover.

### Step 2.

Use the Reset Needle and press the Reset Button for 5 seconds until you hear "Success", a message will be displayed "No user"

### Step 3.

If UL300 is paired with the U-tec App you must tap "Delete" to remove UL300 from your U-tec account.

## 2.8 5V Emergency Power

The micro USB port can be used to connect a regular 5V power bank.

### Step 1.

Remove the black rubber cover.

### Step 2.

Use a regular 5V power bank to power.

**Note:** 5V Emergency Power is only for temporary power or not being able to charge the lock.

## 2.9 Anti-peep Keypad

The lock support up to 16 digit Vague Code. Just enter any 16 digit code, as long as a correct code is included in what you entered, you will be able to open the door.

### Example User Code: 123456

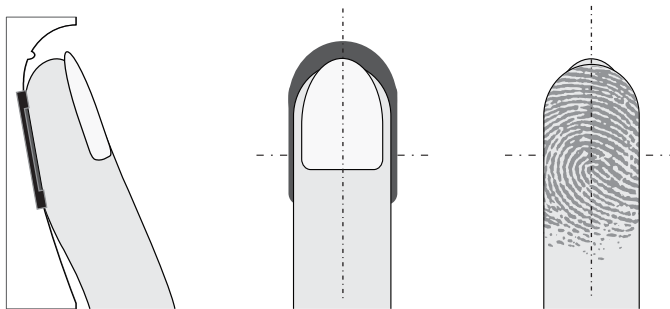
#### Vague Code Method

1: 123456XXXXXX

2: XXXXXX123456

3: XXX123456XXX

## 2.10 Finger Placement



- (1) Your finger should cover the Reader completely with some pressure, touching the surrounding metal ring.
- (2) Make sure that your finger and the Fingerprint Reader are clean and dry. For the Fingerprint Reader, use a clean microfiber cloth to wipe off any dirt or debris.
- (3) While scanning your finger, you shouldn't tap too quickly or move your finger around.
- (4) If you have trouble enrolling one finger, try another.

## 2.11 Use the Key Fob

(1)When using the Key Fob access, please place the Key Fob at the center to cover the reader.

(2)Approach the sensor with medium speed (instead of sudden motion). If it's not working, move the Key Fob away and re-approach.

## 2.12 Lock Status

### **Normal Mode**

It's the default mode, user must pass the fingerprint, code, fob or App access verification to unlock UL300 from outside.

### **Passage Mode**

UL300 will stay unlocked for convenient free passage.

### **Lockout Mode**

UL300 can only be operated manually by Back up Key. All electrical features are turned and only Admin can disable it.

## 2.13 Secure Mode

Secure Mode requires two different users' fingerprint, code or fob to unlock. Fingerprint, code and fob are free combination. For Example, User 021 fingerprint/code/fob +User 022 fingerprint/code/fob.

## 3. Lock Programming

### 3.1 Basic Introduction

#### 3.1.1 Factory Default

Factory setting means that any fingerprint, Code or key fob can unlock UL300.

You will hear a voice “Factory default mode, please register Admin”, and the message display shows “No User”.

#### 3.1.2 User ID

User ID is used to distinguish different users. It's different from Code. UL300 provides User ID 1-200 for admin and user. You can edit user's fingerprint, code and fob through User ID.

#### 3.1.3 Admin and User

UL300 supports maximum 20 admins, 160 normal users and 20 temporary users.

##### Admin

Admin can always unlock via fingerprint, fob, code or App. Admin can add or delete other Admins and Users, control all lock settings and view logs.

Admin is only adaptive for User ID 001-020.

##### Note:

Admin must be created first by Keypad before any other programming.

##### Normal User

Normal User can always unlock via fingerprint, code and fob or App. User ID is 021-180.

##### Temporary User

Temporary User has limited access within a specific time range. User ID is 181-200.

#### 3.1.4 Code

For all codes include Admin or User code, it must be 4-8 digit.

## 3.2 Programming by U-tec App

### 3.2.1 Add Admin First

Admin (special for Admin Code) must be created by keypad prior to any other programming.

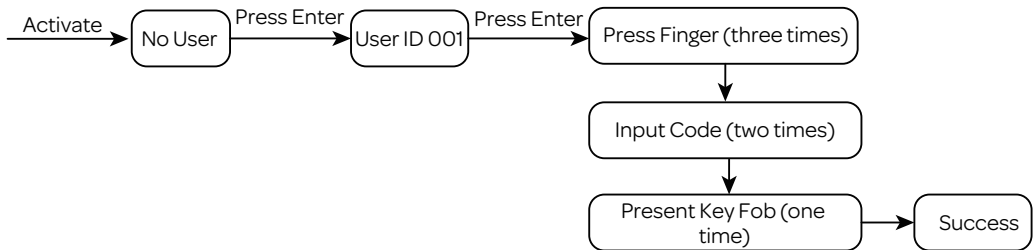
**Note:**

(1) Add admin first, the Admin User ID is set as default User ID 001.

(2) If you don't need to add Fingerprint, Code or Key Fob, please press Enter Button to skip this step directly.

(3) If add fingerprint fails, please re-press the fingerprint on the middle on the reader three times. You can also keep the fingerprint, the reader will collect pictures three times continually.

(4) Must not skip Admin Code step.



**For all programming flow chart of UL300 User Guide,**

- means the hint of the Message Display Screen
- means the operational action by Keypad

## 3.2. 2 Pair UL300 by U-tec App

### Step 1.

Scan the above QR code to download the U-tec App, or search "U-tec" in App Store (iOS) or Google Play (Android).

### Step 2.

Open the U-tec App, register a U-tec account and log in U-tec account.

**Note:** If you have registered a U-tec Account, please skip this step.

### Step 3.

Make sure you completed Admin code register and Admin Code correct.

### Step 4.

Turn on the Bluetooth on your smart phone, stay near the lock (within 10 feet / 3 meters) and search the lock in U-tec App.

### Step 5.

Click this lock in the device list and input Admin Code which you have created.

### Step 6.

U-tec App will pair UL300 automatically. You will get UL300 in the device list.

### Step 7.

Start using the App to control UL300.

### Note:

(1) If you have multiple locks, please remove all batteries to power off the other unregistered UL300 temporarily. You don't need to power off the registered UL300 due to U-tec App shows these locks as Registered.

(2) Admin Code needs to be programmed in the first step, if you haven't set it up, please Program it.

(3) If you forget the Admin Code, we recommend resetting UL300 to factory settings, then follow the steps for Programming it again.

(4) If you only set up fingerprint or fob in the first step and don't set up Admin Code, please go to menu to edit Admin again.



Scan QR code to download the App



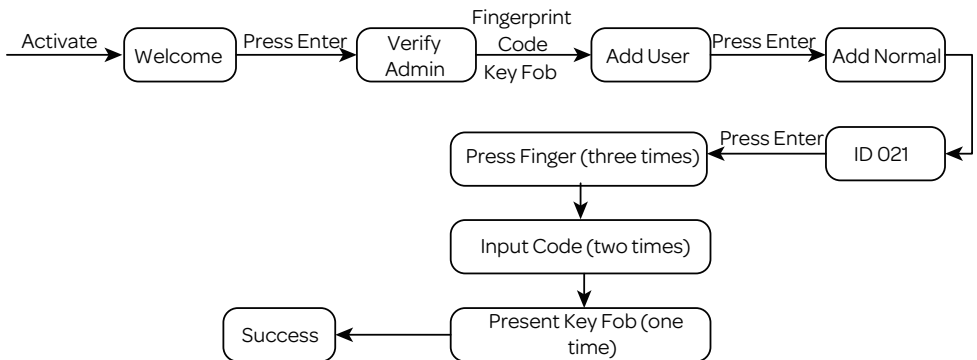
### 3.3 Keypad Programming by UL300

It is recommended to use U-tec App to program your lock. If you don't have a smart phone or don't want to use the App, you can use the programming instructions below.

U-tec App Programming and Keypad Programming are NOT independent, you can use both modes.

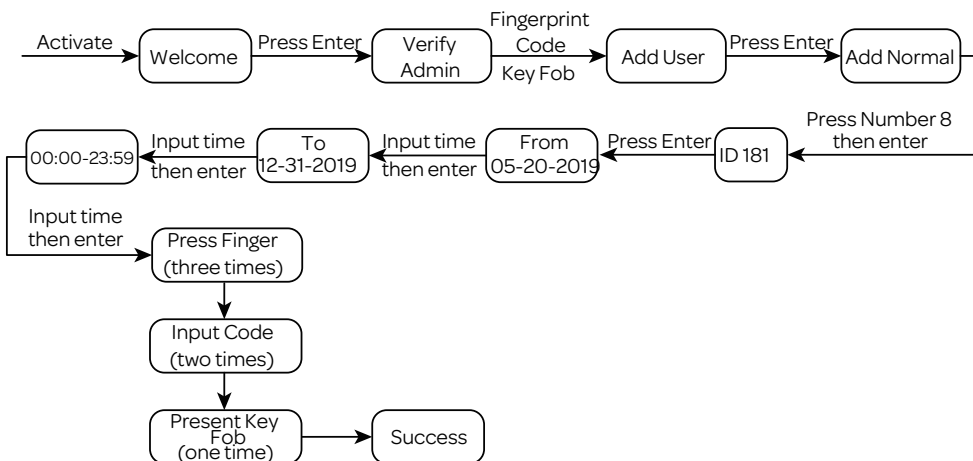
#### 3.3.1 Add Normal User

Normal User can always unlock via fingerprint, code, fob or App. User ID is 021-180.



#### 3.3.2 Add Temporary User

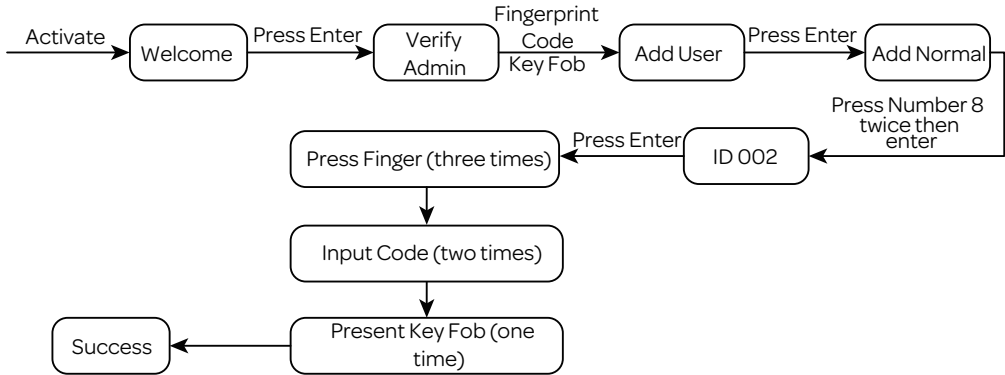
Temporary User has limited access within specific time range. User ID is 181-200.





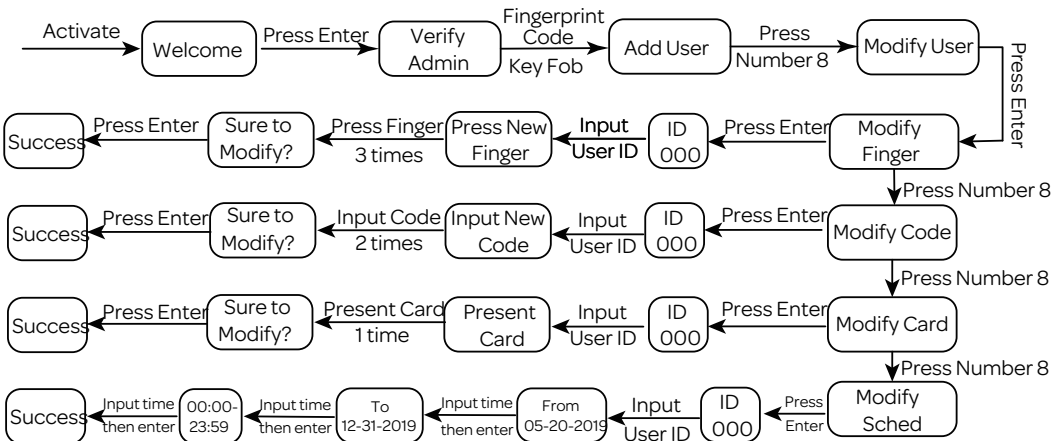
### 3.3.3 Add Admin

Admin can always unlock via fingerprint, fob, code or App. Admin can add or delete Admin and Users, control all lock settings and view logs. Admin is only adaptive for User ID 001-020.



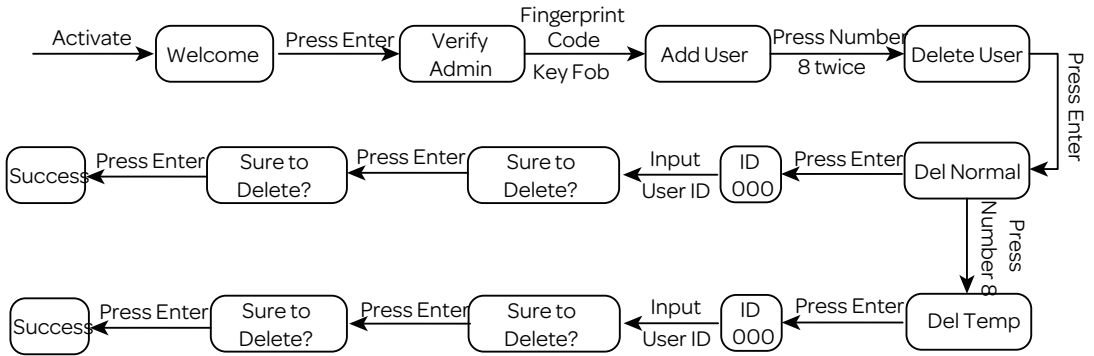
### 3.3.4 Modify User

You can modify a specific user's fingerprint, code or fob. You need to remember the User ID, otherwise you can only reset the lock to factory settings.



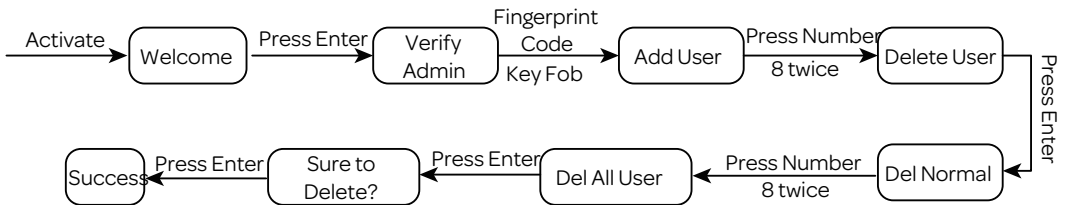
### 3.3.5 Delete Normal or Temporary User

You can delete a specific normal user or temporary user. You need to remember the User ID, otherwise you can only reset the lock to factory settings.



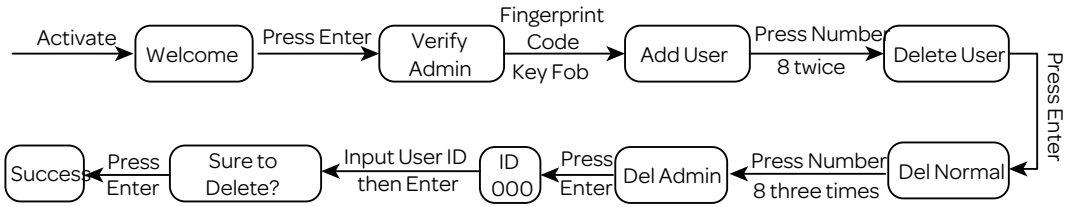
### 3.3.6 Delete All Users

Admin can delete all normal users, temporary users and other Admins.



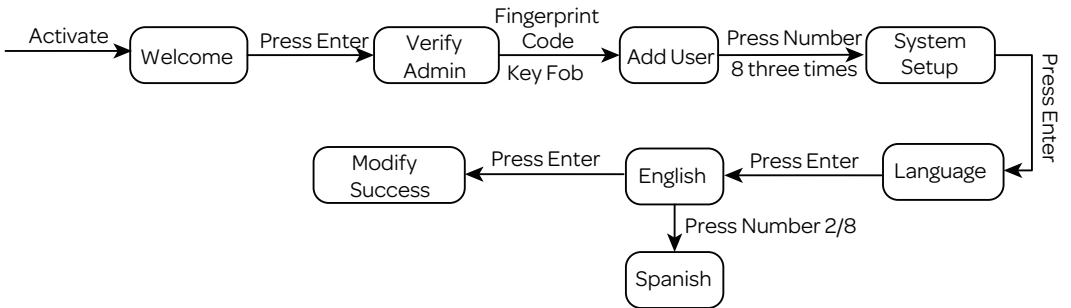
### 3.3.7 Delete Admin

Admin can delete other specific Admins. You need to remember the User ID, otherwise you can only reset the lock to factory settings.



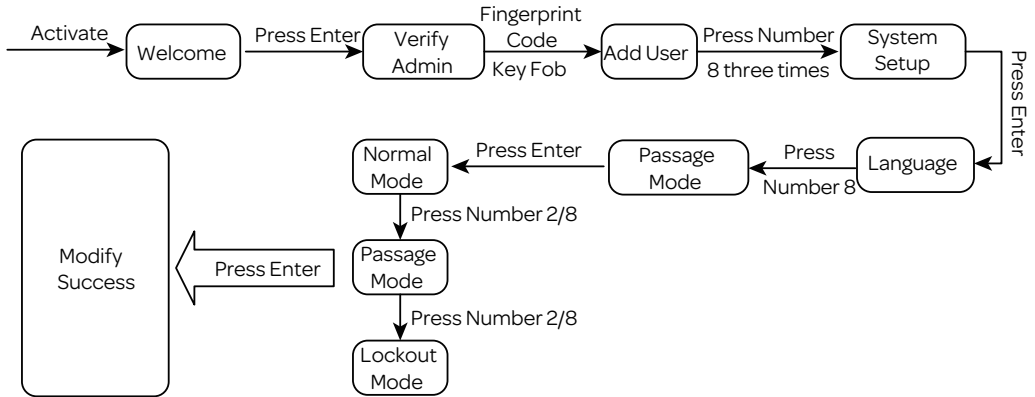
### 3.3.8 Language Set

You can change the UL300 language between English and Spanish.



### 3.3.9 Modify Lock's Status

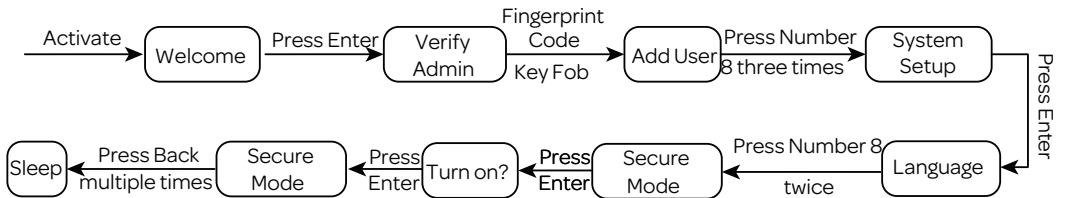
You can switch Normal Mode, Passage Mode and Lockout Mode to meet your specific requirements.



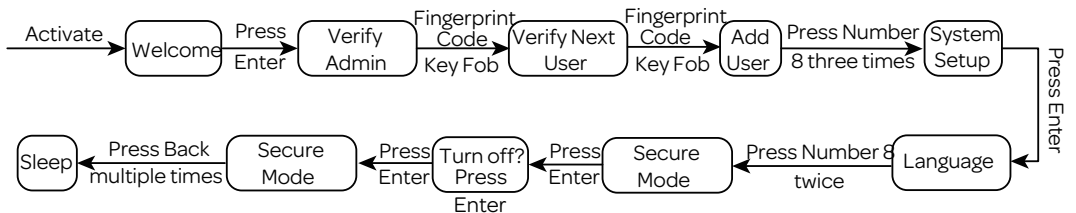
### 3.3.10 Secure Mode

Secure Mode requires two different users' fingerprint, code or fob. This feature is not adaptive for App access unlock.

#### Enable:

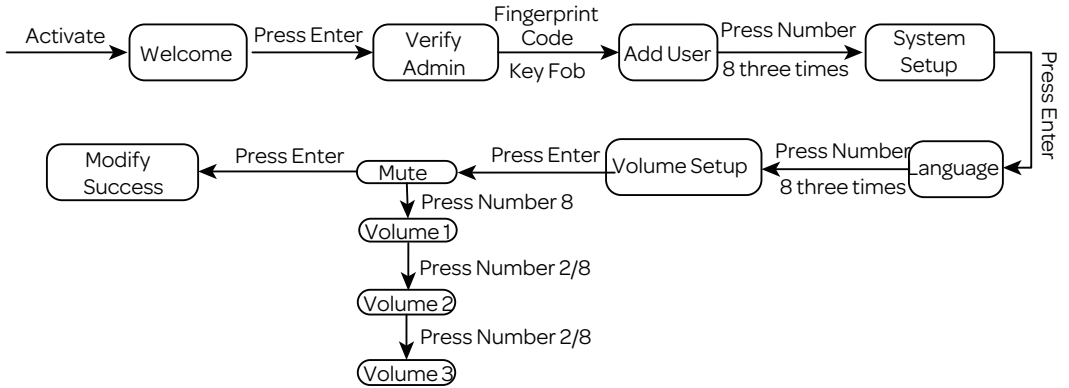


#### Disable:



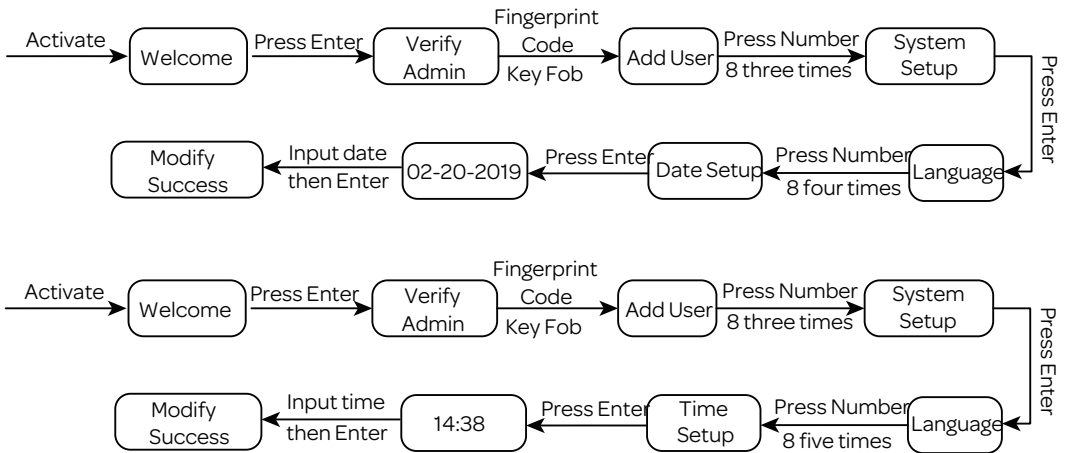
### 3.3.11 Voice Set

You can adjust the voice level for UL300.



### 3.3.12 Date and Time

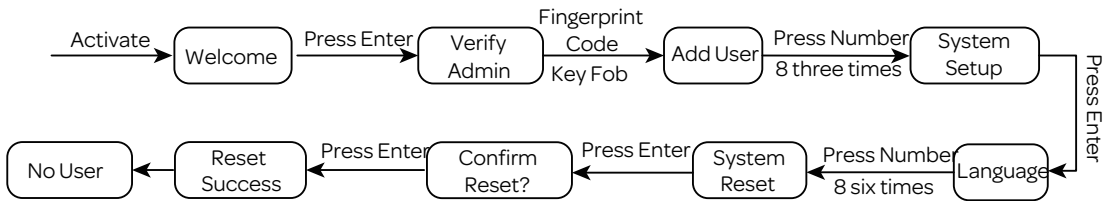
You can set the date and time of UL300. If you are using the U-tec App, the date and time will synchronize to the smart phone's time automatically once you go to Settings Page in the App.



### 3.3.13 Reset as Factory Default

Please note all data will be erased if you reset UL300 to factory default.

If you are using U-tec App, please delete UL300 from your U-tec Account after operating Reset by UL300's keypad.



## FAQ

### 1. How to control UL300 remotely?

UL300 is a Bluetooth enabled smart lock. You can pair the optional Ultraloq Bridge WiFi adaptor with UL300 control it remotely via U-tec App.

### 2. What if I lost the paired smartphone?

Please go to [www.u-tec.com/myutec.html](http://www.u-tec.com/myutec.html) or login U-tec App via another smartphone to change your U-tec Account password

### 3. How can I unlock UL300 if the battery runs out?

There will be a low battery alert on the lock and App when battery is low.

Please replace batteries.

Solution 1. Use the backup key to unlock.

Solution 2. Connect a 5V power bank to activate the lock temporarily

### 4. Does UL300 work with accessories such as bolt from third party?

It is recommended to use the original accessories for best performance and stability.

### 5. What is the log capacity for UL300?

UL300 supports maximum 1000 logs. The latest log will replace the oldest one once log is full.



***ultralq***



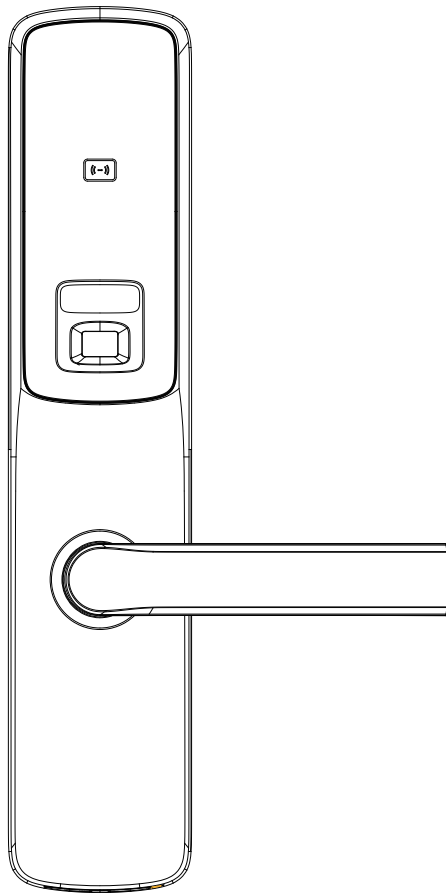


U-tec

# UltraLoq UL300

Cerradura Inteligente con Lector de Huella Dactilar

Guía de Uso (v1.1)



**ultraLoq**

## Notas Importantes

Esta sección contiene información importante para garantizar la seguridad del usuario y prevenir daños potenciales a la propiedad. Lea atentamente esta sección y utilice el producto adecuadamente.

- No instale el producto en el lugar donde la separación entre la puerta y el marco sea de 3/16" (5 mm) o más.
- Asegúrese de que ninguna persona no autorizada tenga acceso a la contraseña.
- No opere el producto con las manos mojadas, y mantenga los líquidos como agua o bebidas lejos del producto, o el producto podría funcionar incorrectamente o dañarse.
- No utilice fuerza excesiva ni objetos afilados para girar la manija, ya que esto puede dañar el producto.
- Asegúrese de que la puerta esté completamente cerrada cuando salga. El fabricante no asume la responsabilidad por cualquier daño causado por el acoplamiento de la cerradura en una puerta cerrada incorrectamente.
- Asegúrese de hacer coincidir correctamente los polos (+/-) al instalar las baterías. Instale las baterías con los polos correctos (+/-).
- No utilice agua, benceno o alcohol cuando limpie el producto, ya que estos fluidos pueden causar un mal funcionamiento del producto.
- Reemplace las baterías después de que suene la alarma de reemplazo de baterías.
- Según el entorno de comunicación inalámbrica, su batería puede agotarse más rápido.
- Debe usar baterías alcalinas AA y no usar una baterías de litio o una batería recargable.

## Ultraloq Términos y Condiciones

Antes de usar todos los productos de Ultraloq, lea todos los términos, reglas, políticas y disposiciones de uso aplicables que se encuentran en [www.u-tec.com/company/privacy](http://www.u-tec.com/company/privacy). Al utilizar su Ultraloq, usted acepta estar sujeto a la Política de privacidad de U-tec.

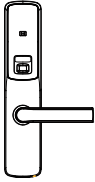
## ¿Necesita ayuda?

Para obtener documentos técnicos y más información, visite [www.u-tec.com/support](http://www.u-tec.com/support)

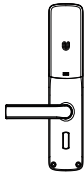
Correo electrónico: [support@u-tec.com](mailto:support@u-tec.com)

# Lista de Empaque

Ensamble Interior



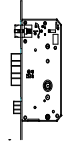
Ensamble Exterior



Placa de Montaje del Ensamble Interno



Cerradura de Muesca



Tornillos A



Tornillos B



B1

B2

B3

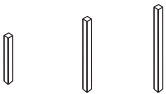
Tornillos C



Tornillos D



Eje



A

B

C

Llave de Repuesto



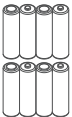
Llave para Resetear



Resorte



AA Baterías Alcalinas

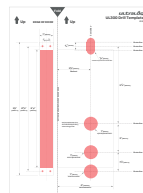


(Podrían no venir incluidas para algunas regiones)

Guía de Usuario



Plantilla de Perforación



Bridge



(Opcional)

# Guía de Instalación

## Video de Instalación



Escanee este código QR para ver el video de instalación paso a paso antes de intentar instalar UltraIQ UL300. O también, puede entrar a [www.u-tec.com/lock/UI300/guide](http://www.u-tec.com/lock/UI300/guide) directamente.

## 1. Dimensiones de la Puerta

Si tiene una puerta nueva, perfore los orificios de acuerdo con la Plantilla de perforación.

### Paso 1

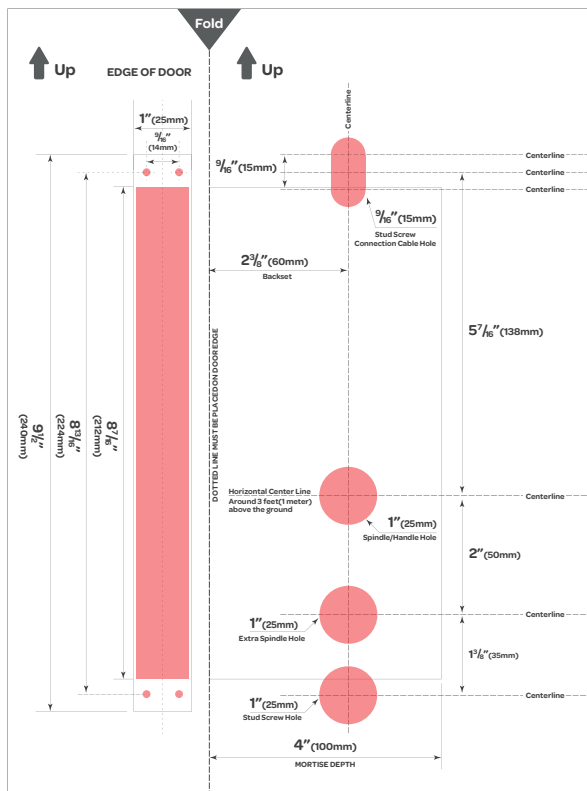
Mida para confirmar que la puerta está entre 1-9/16" a 4" (40mm a 100mm)

### Paso 2

Mida para confirmar que el Backset es de 4" (100mm)

### Paso 3

Mida para confirmar las otras dimensiones.



## 2. Instalación de la Cerradura y Contrachapa

### 2.1 Resumen de la Cerradura

**Interruptor de dirección:** Se utiliza para operar la cerradura.

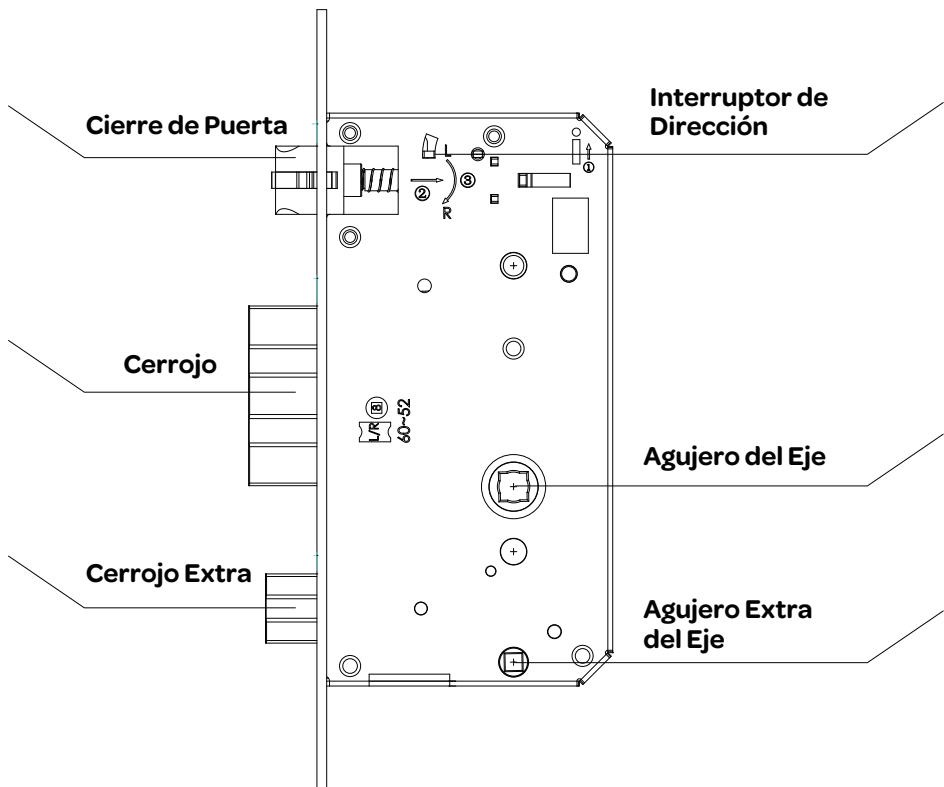
**Cierre de Puerta:** Se utiliza para bloquear y desbloquear.

**Cerrojo:** Se utiliza para bloquear y desbloquear para asegurar.

**Orificio del eje:** El eje pasa por este agujero para arrastrar el Cierre de Puerta y el Cerrojo.

**Cerrojo extra:** Se utiliza para doble bloqueo.

**Orificio de eje extra:** la pieza de cola del cilindro atraviesa este orificio para arrastrar el Cerrojo Extra.

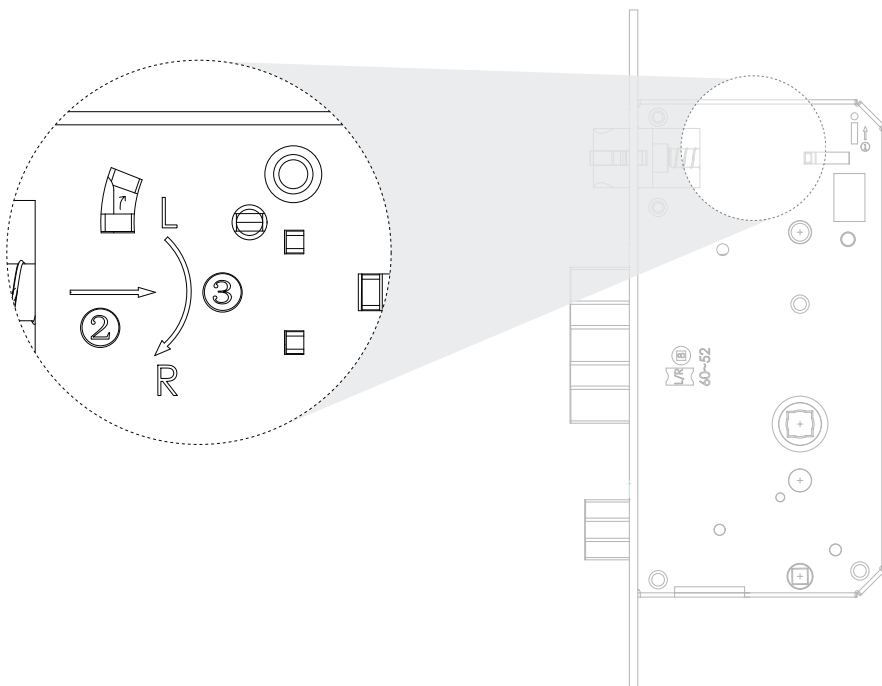


## 2.2 Operacion de Uso de Cerradura

Por favor, asegúrese de que la esquina inclinada esté orientada hacia el marco. Si la Cerradura está del lado correcto, puede omitir la siguiente sección sobre cómo invertirla

### 2.3 Invertiendo el Uso de la Cerradura

**Paso 1. Mantenga el Interruptor de Dirección en la parte superior hasta el final.**



**Paso 2. Presione y mantenga el Cierre de Puerta o Pestillo en la mortaja por completo.**

**Paso 3. Mientras el Cierre de Puerta o Pestillo está dentro de la Cerradura, gire el pestillo 180 grados.**

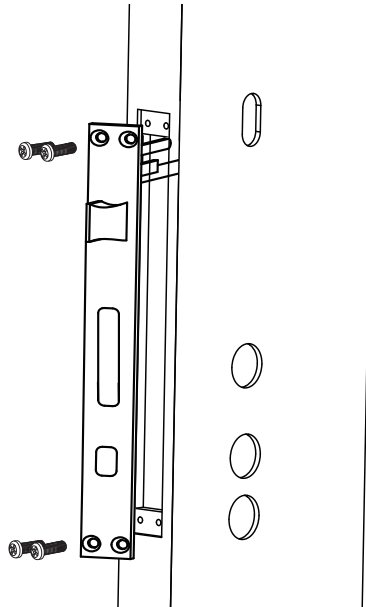
**Paso 4. Suelte el pestillo y saldrá de la cerradura.**

Consejo: Cuando suelte el pestillo, suelte el cerrojo pequeño de la placa lateral de la Cerradura.

**Paso 5. Suelte el interruptor de dirección a la ubicación predeterminada.**

## 2.4 Instalación de Cerradura

Mantenga el Cerrojo y el Cerrojo Extra retraídos (estado desbloqueado), luego inserte la cerradura y apriete los 4 tornillos A



### Note:

- La posición de la Cerradura debe ser, Cierre de Puerta o Pestillo en la parte superior y Cerrojo en la parte inferior.
- La esquina inclinada del Cierre de Puerta debe estar orientada hacia el marco de la puerta.
- Verifique las dimensiones de los orificios de las puertas y asegúrese de que estén bien ajustados. Si no es así, por favor ajuste los tamaños de los agujeros. No agregue presión con las manos.

## 2.5 Instalación de Contrachapa

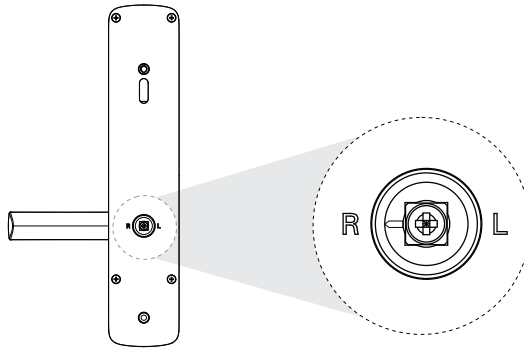
Fije la Contrachapa al marco de la puerta utilizando 4 Tornillos A.

## 3. Instalación de Ensable Exterior

### 3.1 Ajuste la dirección de la manija del Ensamble Exterior

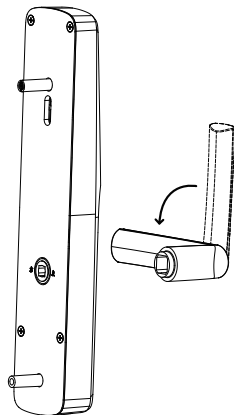
#### Paso 1.

Afloje el tornillo dentro del agujero. Por favor, no saque el tornillo durante la operación.



#### Paso 2.

Saque la manija y ajústela en la dirección correcta.



#### Paso 3.

Apriete el tornillo para fijar la manija.



## 3.2 Instalación del Ensamble Exterior

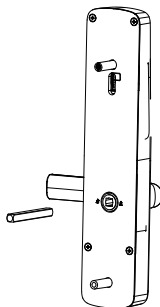
### Paso 1.

Inserte el eje en el orificio del Ensamble Exterior.

Si el grosor de la puerta es de  $1\text{-}9/16$ " a  $2\text{-}3/8$ " (40 mm a 60 mm), utilice el eje A ( $3\text{-}1/8$ " , 80 mm).

Si el grosor de la puerta está entre  $2\text{-}3/8$ " a  $3\text{-}1/8$ " (60 mm a 80 mm), utilice el eje B (4" , 100 mm).

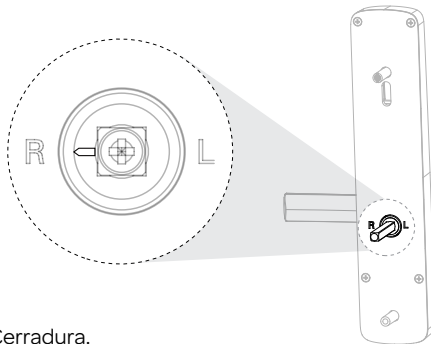
Si el grosor de la puerta está entre  $3\text{-}1/8$ " a 4" (80 mm a 100 mm), utilice el husillo C ( $4\text{-}3/4$ " , 120 mm).



### Paso 2.

Ajuste la flecha que apunta a la manija.

**Nota:** este paso es muy importante, de lo contrario, la manija del UL300 no podrá funcionar correctamente.



### Paso 3.

Pase el cable por encima de la Cerradura.

### Paso 4.

Inserte dos tornillos en los orificios y pase el eje a través del orificio del eje de la Cerradura.

Fije el Ensamble Exterior en la puerta.

### Note:

Antes de instalar la placa de montaje del Ensamble Interior, mantenga firme el Ensamble Exterior.

Asegúrese de no moverlo.

## 4. Instalación de la placa de Ensamble Interior

### Paso 1.

Pase el cable a través del orificio en la placa de montaje del Ensamble Interior.

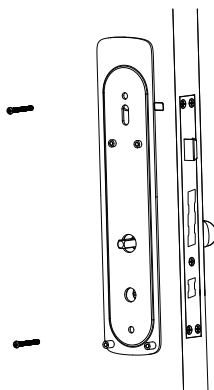
### Paso 2.

Fije la placa de montaje del Ensamble Interior en la puerta y apriete los dos tornillos B.

Si el grosor de la puerta es de  $1\text{-}9/16$  " a  $2\text{-}3/8$  " (40 mm a 60 mm), utilice el tornillo B1.

Si el grosor de la puerta está entre  $2\text{-}3/8$  " a  $3\text{-}1/8$  " (60 mm a 80 mm), utilice el tornillo B2.

Si el grosor de la puerta está entre  $3\text{-}1/8$  " a 4 " (80 mm a 100 mm), utilice el tornillo B3.



### Note:

1. Los tornillos de la placa de montaje deben estar orientados hacia el instalador.
2. Antes de apretar los tornillos completamente, apriete un tornillo hasta la mitad, luego comience con el segundo, de esta manera tendrá la instalación correcta. Después de que ambos tornillos estén hasta la mitad, puede proceder y apretarlos completamente.

## 5. Instalación del Ensamble Interior

### Paso 1.

Ajuste la dirección de la manija del conjunto exterior. La operación es la misma que con la manija exterior.

### Paso 2.

Después de confirmar que el Cerrojo Extra está retraído, gírelo para desbloquear. La manija de la puerta y la pieza de cola del cilindro deben estar todos verticales.

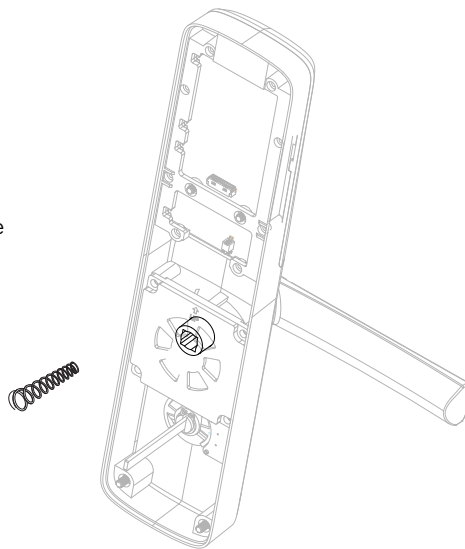
**Paso 3.**

Inserte el resorte en el agujero de la manija interior.

**Note:** este paso es importante, de lo contrario, el eje no arrastrará la Cerradura girando la manija.

**Paso 4.**

Inserte el conector del cable al puerto del Ensamble Interior. Presione firmemente el conector hasta que escuche un clic.

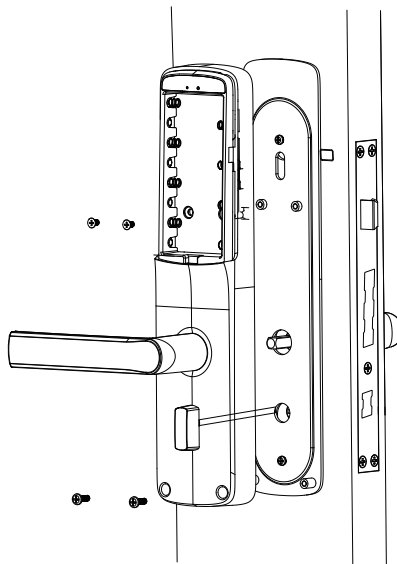


**Paso 5.**

Retire la tapa de la caja de la batería.

**Paso 6.**

Pase la pieza de cola del cilindro trasero del Cerrojo Extra a través del orificio del Cerrojo Extra. Haga coincidir el orificio de la manija con la placa de montaje y el orificio del Ensamble Exterior. Fije el Ensamble Exterior a la placa de montaje del conjunto interior y apriete los tornillos C y los tornillos D.



# Encendido y Prueba

## 1. Encendido

Instale 8 baterías alcalinas AA y luego la tapa de la caja de baterías.

### Note:

- UL300 tiene un diseño de doble potencia. Si solo instala 4 baterías AA juntas, arriba o abajo (no en el medio) es suficiente para alimentar el UL300. Aunque, U-tec recomienda instalar las 8 baterías AA desde el principio para tener una vida útil más larga.
- Las baterías de litio pueden tener una vida útil más larga, pero cuando comienzan a quedarse sin batería, se agotan rápidamente. U-tec no las recomienda, ya que no tendrá tiempo suficiente para cambiarlas antes de que el UL300 deje de funcionar.

## 2. Prueba de bloqueo y desbloqueo

Cuando el UL300 se encuentra en el modo predeterminado de fábrica, se mostrará un mensaje de "No Usuario", cualquier huella digital, código o llavero puede desbloquearlo. U-tec recomienda programar el UL300 inmediatamente después de la instalación. Para asegurarse de que la instalación es correcta, pruebe el UL300. Bloquee y desbloquee el UL300 un par de veces. Durante este tiempo, recuerde mantener la puerta abierta para evitar cualquier problema.

### Paso 1.

Levante la manija exterior, el Cerrojo se bloqueará.

### Paso 2.

Gire la manija interior hacia abajo, el Cierre de Puerta o Pestillo y el Cerrojo se desbloquearán.

### Paso 3.

Levante la manija interior, el Cerrojo se bloqueará, el Cierre de Puerta o Pestillo también se bloquearán automáticamente.

### Paso 4.

Use cualquier huella digital, código o llavero para pasar la verificación, luego baje la manija exterior, el Cierre de Puerta o pestillo y el Cerrojo se desbloquearán.

### Paso 5.

Gire la perilla del Cerrojo Extra, este se bloqueará o desbloqueará.

Si los 5 pasos anteriores son exitosos, puede comenzar a programar el UL300. Si algún paso falla, por favor reinstale UL300 con cuidado como muestra la guía.

# Guía de Usuario

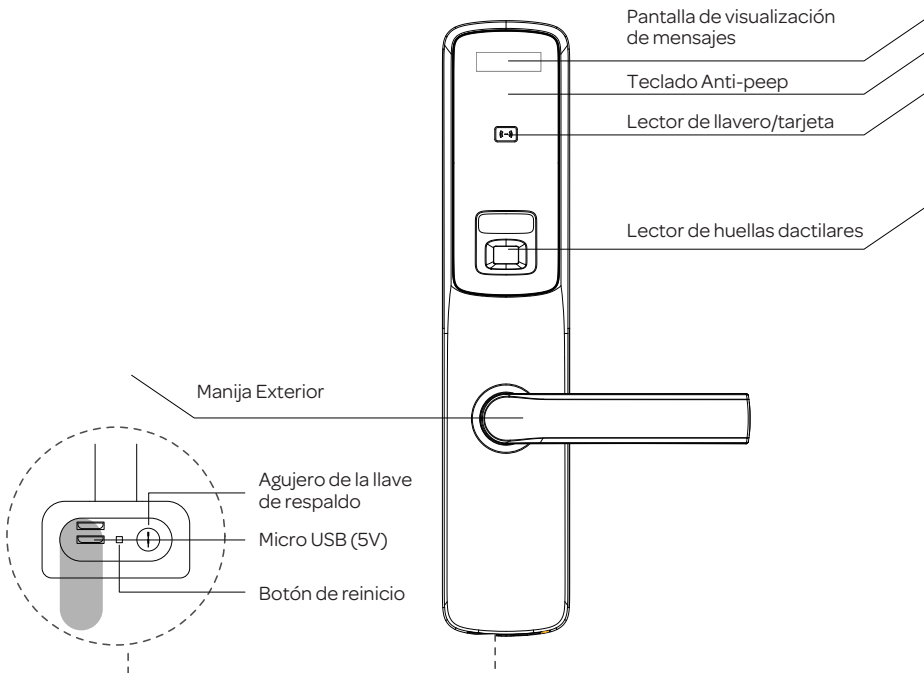
## Video de Instalación

Mire nuestro video paso a paso de la Guía del usuario antes de intentar usar su UltraIQ UL300.



## 1. Descripción del Producto

### 1.1 Exterior



**Teclado Anti-peep**

Se utiliza para introducir el código y desbloquear desde el exterior.

**Lector de huellas dactilares**

Se utiliza para verificar su dedo y desbloquear desde el exterior.

**Lector de llavero/tarjeta**

Se utiliza para verificar su llavero y desbloquear desde el exterior.

**Pantalla de visualización de mensajes**

Una pantalla OLED con información intuitiva lo guiará a través de toda la operación.

**Micro USB (5V)**

Se utiliza para conectar una pila externa para activar el UL300 cuando se queda sin batería.

**Botón de reinicio**

Se utiliza para reiniciar el UL300 si falla la activación.

**Agujero de la llave de respaldo**

Se utiliza para insertar la llave para desbloquear.

**Manija exterior**

Se utiliza para bloquear o desbloquear el UL300.

**Botón de número 0-9**

Se utiliza para introducir el número. El número 2 y el número 8 también se utilizan para pasar arriba y abajo.

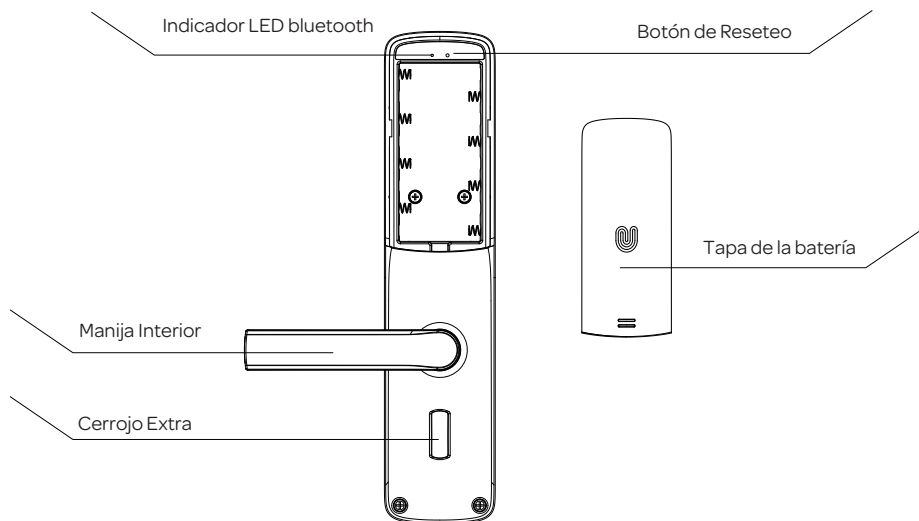
**Botón de retroceso** 

Se utiliza para volver a la página anterior.

**Botón de Enter** 

Se utiliza para con firmar y omitir la operación.

## 1.2 Interior



### Indicador LED Bluetooth

Al conectar el UL300 con la aplicación, habrá una luz azul fija, de lo contrario, una luz azul parpadeará cada segundo.

### Botón de Reseteo

Se utiliza para restablecer el UL300 a la configuración predeterminada de fábrica.

### Manija Interior

Se utiliza para bloquear o desbloquear el UL300.

### Perilla de Cerrojo Extra

Se utiliza para bloquear o desbloquear Extra Bolt para doble bloqueo.

### Tapa de la batería

Se utiliza para cubrir las baterías y la etiqueta del producto.

(Una guía rápida y la etiqueta de número de serie viene impresa dentro de la tapa de la batería).

## 2. Operación básica

### 2.1 Limpieza del teclado y el lector de huella dactilar

Use un paño de microfibra y páselo por el teclado anti-peep, el lector de huellas dactilares y el lector de llavero.

### 2.2 Activación de Cerradura

Coloque un dedo en el lector de huellas dactilares, toque el teclado Anti-peep con el dorso de la mano o los dedos, o presente el llavero en el lector de llavero.

### 2.3 Abrir la puerta desde el exterior

**Note:** Por favor, confirme que el Cerrojo Extra esté desbloqueado, de lo contrario, el UL300 mostrará un mensaje en la pantalla que muestra "Doble bloqueo", y solo el administrador podrá desbloquearlo.

#### 2.3.1 Desbloqueo por Código

**Paso 1.**

Coloque un dedo en el lector de huellas dactilares o en el teclado anti-peep para activar UL300.

**Paso 2.**

Ingrese el código de usuario de 4-8 dígitos de un usuario registrado y el UL300 mostrará "Éxito".

**Paso 3.**

Gire la manija completamente hacia abajo para desbloquear el UL300.

#### 2.3.2 Desbloqueo por huella digital

**Paso 1.**

Presione el dedo en el lector de huellas dactilares para activar el UL300.

**Paso 2.**

Presione el dedo de un usuario registrado en el centro del lector de huellas dactilares para desbloquearlo. UL300 mostrará "Éxito".

**Paso 3.**

Gire la manija completamente hacia abajo para desbloquear el UL300.

**Note:** Para obtener más consejos sobre cómo usar la huella digital correctamente, consulte la página 18.

#### 2.3.3 Desbloqueo por llavero/tarjeta

**Paso 1.**

Presente el llavero de un usuario registrado en el Lector de Llavero.

**Paso 2.**

Gire la manija completamente hacia abajo para desbloquear el UL300.



### 2.3.4 Desbloqueo por Celular Inteligente

**Paso 1.**

Presione el botón Desbloquear en la aplicación U-tec.

**Paso 2.**

Gire la manija completamente hacia abajo para desbloquear UL300.

### 2.3.5 Llave de Repuesto

**Paso 1.**

Abra la cubierta de goma negra en la parte inferior del Ensemble Exterior de UL300.

**Paso 2.**

Inserte la llave de respaldo en una posición vertical y gírela a una posición horizontal para abrirla.

**Paso 3.**

Gire la manija completamente hacia abajo para desbloquear UL300.

**Note:** No olvide quitar la llave de respaldo y cerrar la cubierta de goma negra.

## 2.4 Abrir la puerta desde el interior.

**Paso 1.**

Gire la perilla del Cerrojo Extra para desbloquear (posición vertical).

**Paso 2.**

Gire la manija completamente hacia abajo para desbloquear el UL300.

## 2.5 Cierre desde el exterior

### 2.5.1 Cierre del Pestillo

UL300 bloqueará el pestillo automáticamente después de 3 segundos después del último desbloqueo.

### 2.5.2 Cerrojo de bloqueo

Levante la manija exterior para bloquear el perno.

## 2.6 Cierre desde el interior

### 2.6.1 Cierre o Pestillo

UL300 bloqueará el pestillo automáticamente después de 3 segundos después del último desbloqueo.

### 2.6.2 Cerrojo

Levante la manija interior para bloquear el cerrojo.

### 2.6.3 Cerrojo extra

Gire la perilla del Cerrojo Extra para bloquear y tener un doble bloqueo.

## 2.7 Restablecer el UL300

**Note:** Todos los datos se borrarán si restablece el UL300 a la configuración predeterminada de fábrica.

### Paso 1.

Retire la tapa de la batería.

### Paso 2.

Use la aguja de reinicio y presione el botón de reinicio durante 5 segundos hasta que escuche "Exito"; aparecerá un mensaje "No Usuario"

### Paso 3.

Si el UL300 está emparejado con la aplicación U-tec, debe tocar "Eliminar" para eliminar el UL300 de su cuenta de U-tec.

## 2.8 5V de Alimentación de emergencia

El puerto micro USB se puede usar para conectar una pila externa de 5V regular.

### Paso 1.

Retire la cubierta de goma negra.

### Paso 2.

Utilice un banco de energía regular de 5V para alimentar.

**Note:** la alimentación de emergencia de 5V es solo para alimentación temporal o no poder cargar la cerradura.

## 2.9 Teclado Anti-peep

UL300 soporta un código vago de hasta 16 dígitos. Simplemente ingrese cualquier código de 16 dígitos, siempre que se incluya un código correcto en lo que ingresó, podrá abrir la puerta.

Ejemplo  
Código de usuario: 123456

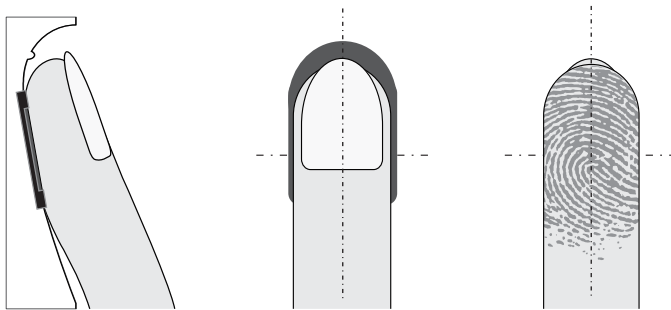
Metodo Vago

1: 123456XXXXXXXXXX

2: XXXXXXX123456

3: XXX123456XXX

## 2.10 Colocación de los dedos



(1) Su dedo debe cubrir el Lector completamente con un poco de presión, tocando el anillo metálico circundante.

(2) Asegúrese de que su dedo y el lector de huellas dactilares estén limpios y secos. Para el lector de huellas dactilares, use un paño de microfibra limpio para limpiar la suciedad o los residuos.

(3) Mientras escanea su dedo, no debe tocar demasiado rápido ni mover el dedo.

(4) Si tiene problemas para agregar un dedo, pruebe con otro.

## 2.11 Use el llavero/tarjeta

(1) Cuando utilice el acceso a por medio del Llavero, coloquelo en el centro para cubrir el lector.

(2) Acérquese al sensor con velocidad media (en lugar de movimiento repentino). Si no funciona, aleje el llavero y vuelva a acercarse.

## 2.12 Status de la Cerradura

### Modo Normal

Es el modo predeterminado, el usuario debe pasar la verificación de acceso a la huella digital, el código, el control remoto por medio de la aplicación para desbloquear el UL300 desde el exterior.

### Modo de pasaje

UL300 permanecerá desbloqueado para un cómodo pasaje libre.

### Modo de bloqueo

UL300 solo puede operarse manualmente con la Llave de respaldo. Todas las funciones eléctricas están activadas y solo el administrador puede desactivarlo.

## 2.13 Modo seguro

El Modo seguro requiere la huella dactilar, el código o el llavero de dos usuarios diferentes para desbloquear. Huella digital, código y llavero en combinación libre. Por ejemplo, Usuario 021 huella / código / llavero + Usuario 022 huella / código / llavero.

## 3. Programación de Cerradura

### 3.1 Introducción básica

#### 3.1.1 Predeterminado de fábrica

La configuración de fábrica significa que cualquier huella digital, código o llavero puede desbloquear el UL300. Escuchará una voz "Modo predeterminado de fábrica, registre Admin", y la pantalla de mensajes muestra "No hay usuario".

#### 3.1.2 ID de usuario

El ID de usuario se utiliza para distinguir diferentes usuarios. Es diferente del Código. UL300 proporciona un ID de usuario 1 ~ 200 para administradores y usuarios. Puede editar la huella digital, el código y el mando del usuario a través del ID de usuario.

#### 3.1.3 Administrador y Usuario

UL300 admite un máximo de 20 administradores, 160 usuarios normales y 20 usuarios temporales.

##### Administrador

El administrador siempre puede desbloquear mediante huella digital, llavero, código o aplicación. El administrador puede agregar o eliminar otros administradores y usuarios, controlar todas las configuraciones de bloqueo y ver los registros.

El administrador solo es adaptable para ID de usuario 001 ~ 020.

##### Note:

El administrador debe crearse primero con el teclado antes de cualquier otra programación.

##### Usuario normal

El usuario normal siempre puede desbloquear mediante huella digital, código y llavero o aplicación. El ID de usuario es 021 ~ 180.

##### Usuario temporal

El usuario temporal tiene acceso limitado dentro de un rango de tiempo específico. El ID de usuario es 181 ~ 200.

#### 3.1.4 Código

Para todos los códigos, incluido el código de administrador o usuario, debe tener entre 4 y 8 dígitos.

## 3.2 Programación por la aplicación de U-tec

### 3.2.1 Añadir administrador primero

El Admin (especial para el código de administrador) debe crearse mediante el teclado antes de cualquier otra programación.

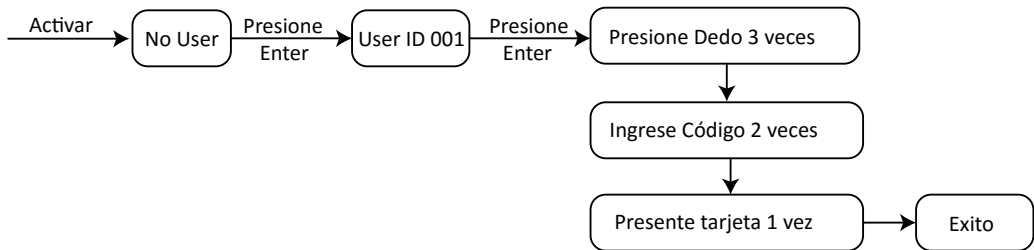
**Note:**

(1) Agregue un administrador primero, el ID de usuario del administrador se configura como ID de usuario predeterminada 001.

(2) Si no necesita agregar huella digital, código o llavero, presione el botón Intro para omitir este paso directamente.

(3) Si falla la adición de huella digital, vuelva a presionar la huella digital en el centro del lector tres veces. También puede mantener la huella digital, el lector recolectará imágenes tres veces continuamente.

(4) No debe omitir el paso del Código de Administración.



**Para todos los diagramas de flujo de programación de la guía del usuario UL300,**

- significa la pista de la pantalla de visualización de mensajes
- Significa la acción operativa mediante teclado.

### 3.2.2 Empareje el UL300 por medio de la U-tec App

#### Paso 1.

Escanee el código QR para descargar la aplicación U-tec, o busque "U-tec" en App Store (iOS) o Google Play (Android).



Escanee el Código QR para descargar la Aplicación

#### Paso 2.

Abra la aplicación U-tec, registre una cuenta U-tec e inicie sesión en la cuenta U-tec.

**Note:** Si ha registrado una cuenta de U-tec, omita este paso.

#### Paso 3.

Asegúrese de haber completado el registro del Código de administración y el Código de administración correcto.



#### Paso 4.

Encienda el Bluetooth en su teléfono inteligente, permanezca cerca de la cerradura (a menos de 10 pies / 3 metros) y busque este UL300 en la aplicación U-tec.

#### Paso 5.

Haga clic en este UL300 en la lista de dispositivos e ingrese el Código de administrador que ha creado.

#### Paso 6.

La aplicación U-tec emparejará el UL300 automáticamente. Podrá ver el UL300 en la lista de dispositivos.

#### Paso 7.

Comience a usar la aplicación para controlar el UL300.

#### Note:

(1) Si tiene varios UL300, retire todas las baterías para apagar los UL300 no registrados temporalmente. No necesita apagar el UL300 que ya esté registrado debido a que la U-tec App muestra estos UL300 como Registrados.

(2) El código de administrador debe programarse en el primer paso, si no lo ha configurado, prográmelo.

(3) Si olvida el Código de administración, le recomendamos que restablezca a la configuración de fábrica del UL300 y luego siga los pasos para Programarlo nuevamente.

(4) Si solo configura la huella digital o el llavero en el primer paso y no configura el código de administrador, vaya al Menú para editar Admin de nuevo.

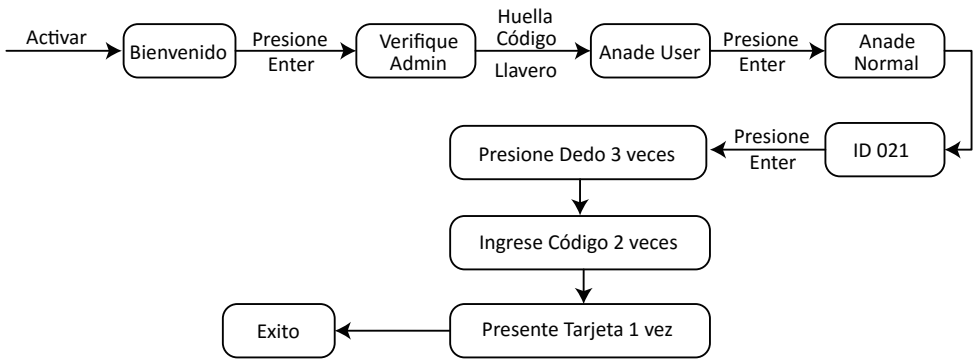
### 3.3 Programación del teclado por UL300

Se recomienda utilizar la aplicación U-tec para programar su UL300. Si no tiene un teléfono inteligente o no quiere usar la aplicación, puede usar las instrucciones de programación a continuación.

La programación de la aplicación U-tec y la programación del teclado NO son independientes, puede usar ambos modos.

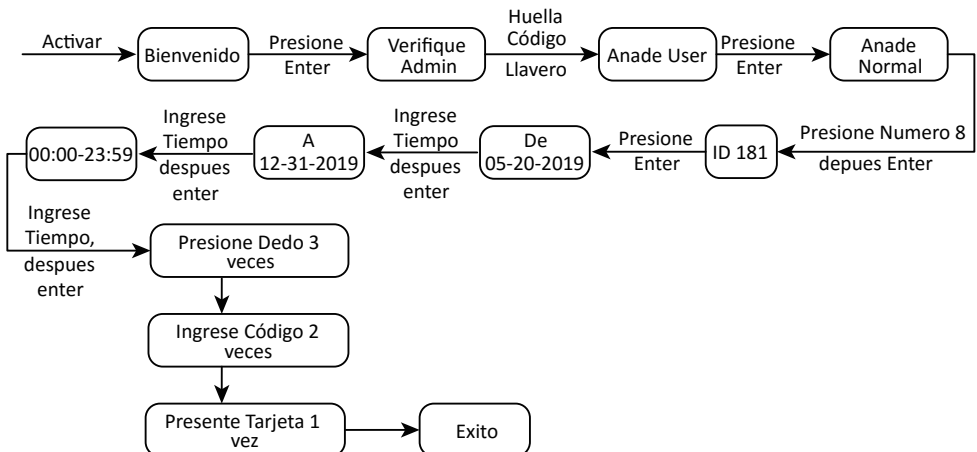
#### 3.3.1 Añadir usuario normal

El usuario normal siempre puede desbloquear mediante huella digital, código, llavero o aplicación. El ID de usuario es 021 - 180.



#### 3.3.2 Añadir usuario temporal

El usuario temporal tiene acceso limitado dentro de un rango de tiempo específico. El ID de usuario es 181 - 200.

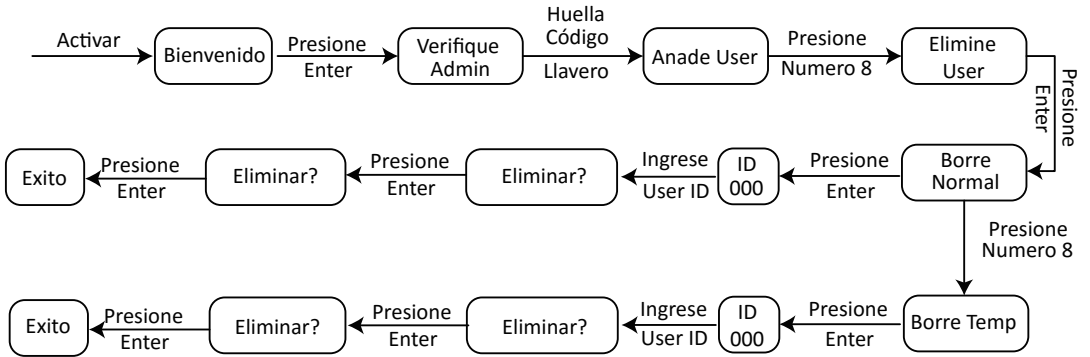






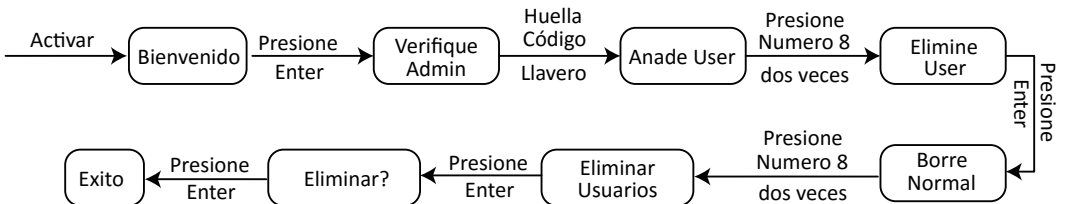
### 3.3.5 Eliminar usuario normal o temporal

Puede eliminar un usuario normal específico o un usuario temporal. Debe recordar el ID de usuario, de lo contrario, solo podrá restablecer el UL300 a la configuración de fábrica.



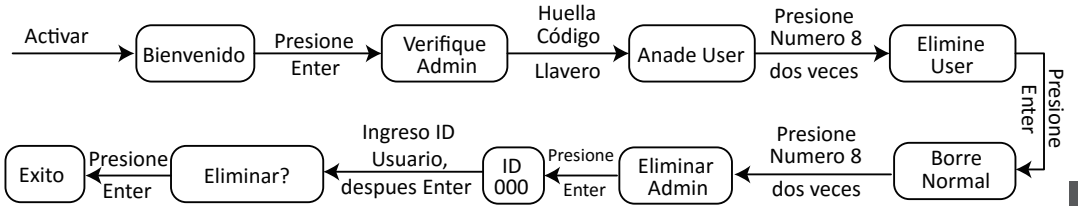
### 3.3.6 Eliminar todos los usuarios

El administrador puede eliminar todos los usuarios normales, usuarios temporales y otros administradores.



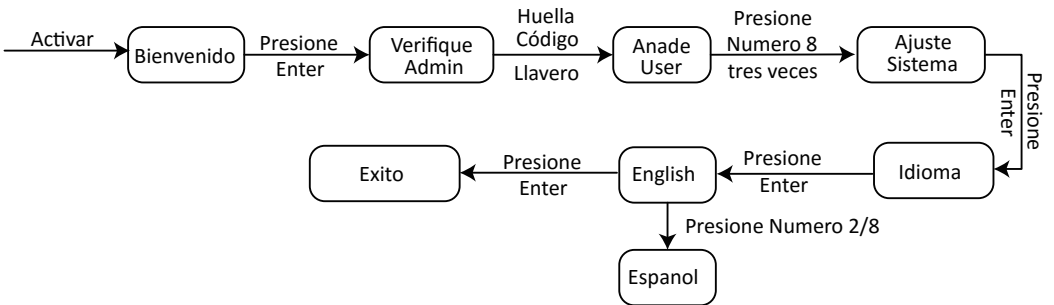
### 3.3.7 Eliminar Administrador

El administrador puede eliminar otros administradores específicos. Debe recordar el ID de usuario, de lo contrario, solo puede restablecer el UL300 a la configuración de fábrica.



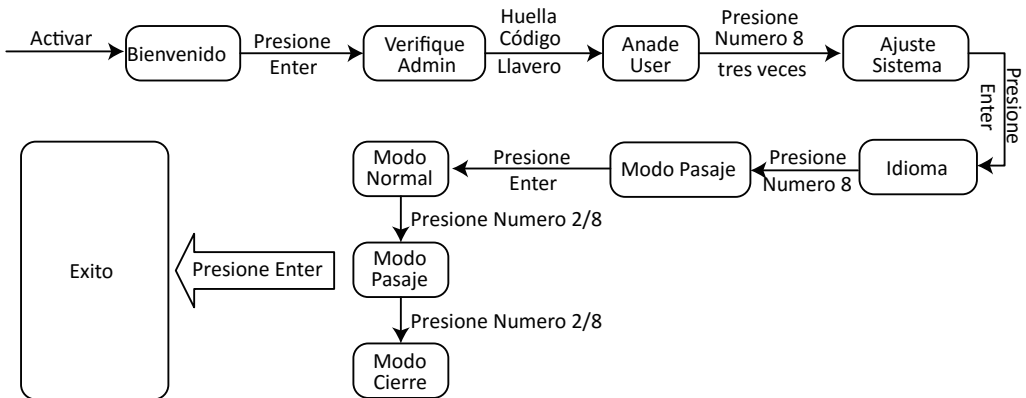
### 3.3.8 Conjunto de idiomas

Puede cambiar el idioma del UL300 entre inglés y español.



### 3.3.9 Modificar el estado de la Cerradura

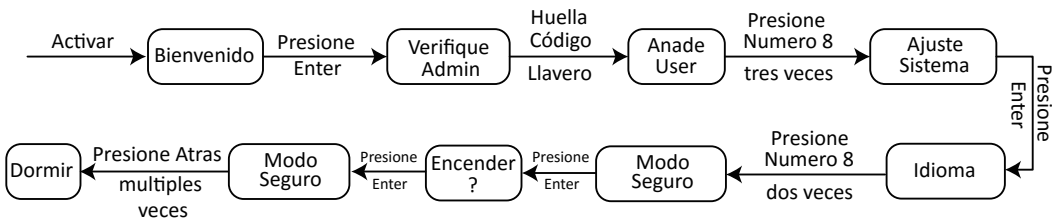
Puede cambiar el Modo normal, el Modo de paso y el Modo de bloqueo para cumplir con sus requisitos específicos.



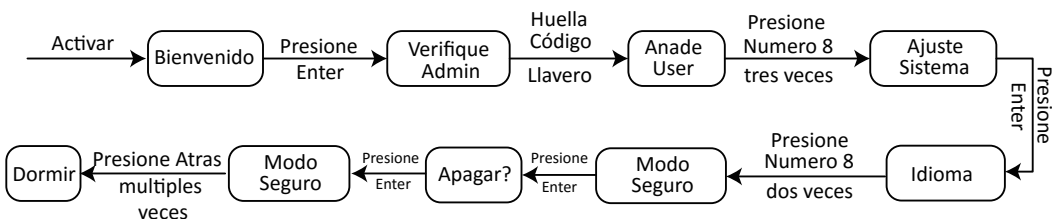
### 3.3.10 Modo seguro

El modo seguro requiere dos huellas dactilares, código o llavero de diferentes usuarios. Esta característica no es adaptable para el desbloqueo de acceso a la aplicación.

#### Enable:

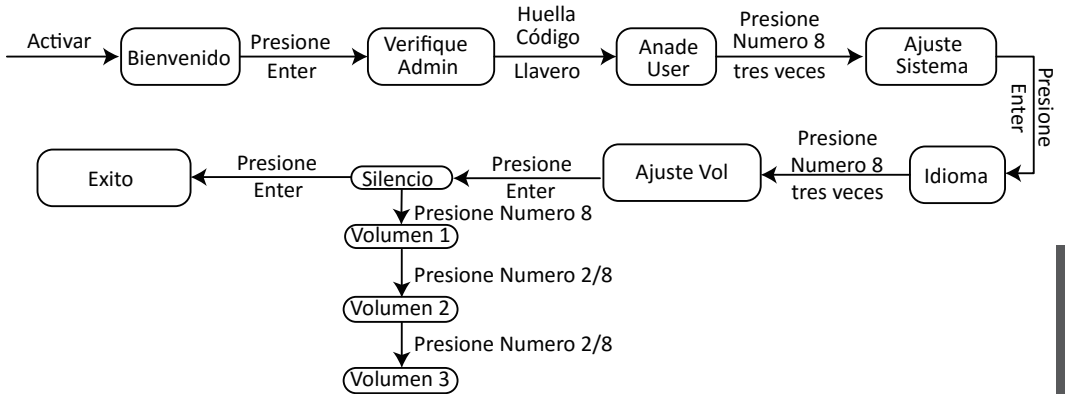


#### Disable:



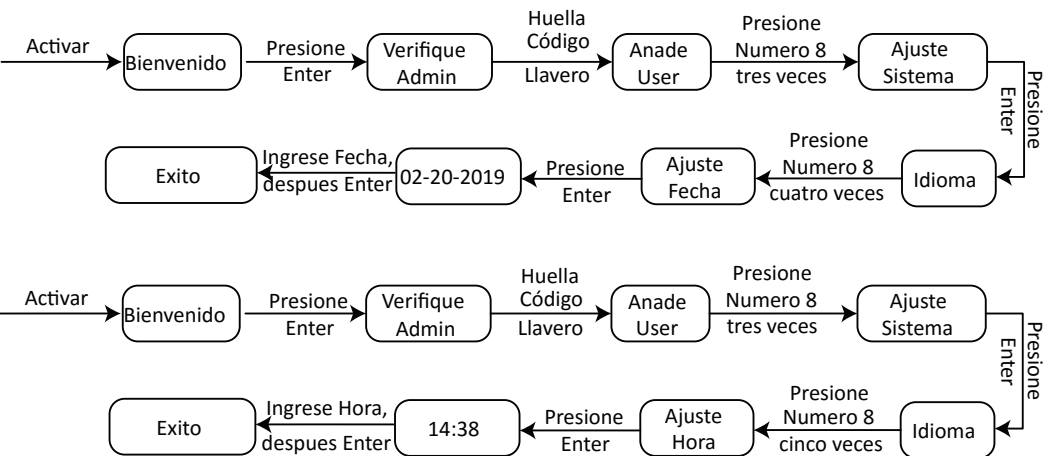
### 3.3.11 Sonido

Puede ajustar el nivel de voz para el UL300.



### 3.3.12 Fecha y hora

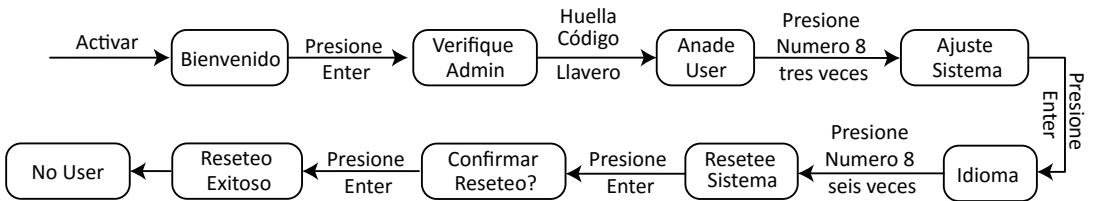
Puede configurar la fecha y la hora del UL300. Si está utilizando la aplicación U-tec, la fecha y la hora se sincronizarán automáticamente con la hora del teléfono inteligente una vez que vaya a la página de configuración en la aplicación.



### 3.3.13 Restablecer como predeterminado de fábrica

Tenga en cuenta que todos los datos se borrarán si restablece el UL300 a los valores predeterminados de fábrica.

Si está utilizando la aplicación U-tec, elimine el UL300 de su cuenta U-tec después de operar Restablecer con el teclado del UL300.



## FAQ

### 1. ¿Cómo controlar el UL300 de forma remota?

UL300 es una cerradura inteligente con Bluetooth habilitado. Puede emparejar el Ultraloq Bridge opcional que le permitirá controlar de forma remota a través de la aplicación U-tec.

### 2. ¿Qué pasa si pierdo el teléfono inteligente emparejado?

Vaya a [www.u-tec.com/myutec.html](http://www.u-tec.com/myutec.html) o inicie sesión en la aplicación U-tec a través de otro teléfono inteligente para cambiar su contraseña de cuenta U-tec

### 3. ¿Cómo puedo desbloquear el UL300 si se agota la batería?

Habrá una alerta de batería baja en la cerradura y en la aplicación cuando la batería esté baja. Por favor, reemplace las baterías.

Solución 1. Utilice la llave de repuesto para abrir.

Solución 2. Conecte un banco de energía de 5V para activar el UL300 temporalmente

### 4. ¿Funciona el UL300 con accesorios tales como Cerrojos de terceros?

Se recomienda usar los accesorios originales para un mejor rendimiento y estabilidad.

### 5. ¿Cuál es la capacidad de registro para UL300?

UL300 soporta un máximo de 1000 registros. El último registro reemplazará al más antiguo una vez que esté completo.



***ultral8q***

© 2019 U-tec Group Inc.

Las marcas y productos U-tec y Ultraloq son marcas registradas y protegidas por la ley en los Estados Unidos.  
El uso no autorizado está prohibido. Ultraloq es una sub-marca de U-tec Group Inc.