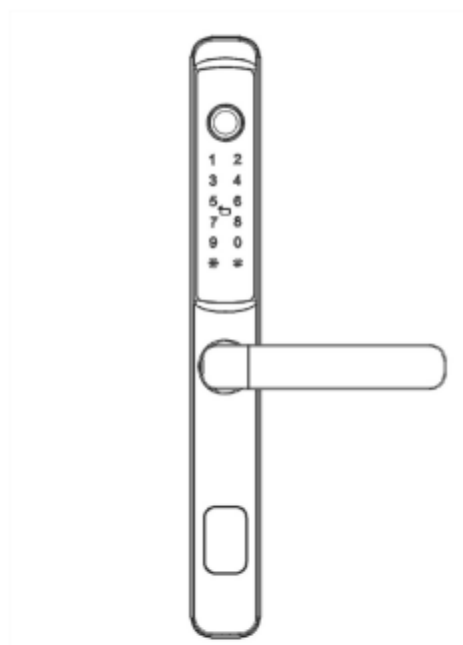


# Installation Guide

Smart Door Locks Australia

SDL-SS1



V1.01



## Precautions for Installation

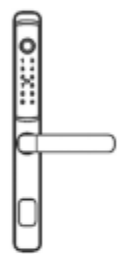
**WARNING:** FAILURE TO FOLLOW THESE INSTRUCTIONS COULD RESULT IN DAMAGE TO THE PRODUCT AND COULD LEAD TO FAILURE OF THE PRODUCT TO PROVIDE ACCESS

- For your safety, be careful when operating tools or heavy machinery during installation.
- For best results, avoid installing the product in a rainy, humid, or saline environment (e.g. coastal area), or a place exposed to direct sunlight for a long period of time.
- Long-term exposure to direct sunlight may cause a crack on the touch pad. Avoid exposure to direct sunlight.
- Excessive dew condensation may affect product performance.
- You must not repair this product without authorization.
- Install the product while the **door is open**. Even after completing the installation, **do not close the door** until you check if the product is operating properly.
- While installing the product, do not let it **fall to the ground**. If the product falls or is dropped during installation, you may be injured or the product may be damaged.
- Do not install the batteries until you complete the installation.

# Component Overview



Interior assembly



Exterior assembly



Rubber gasket



Screws



Mortise



Strike plate



Strike box



Spindle



Cylinder



Key

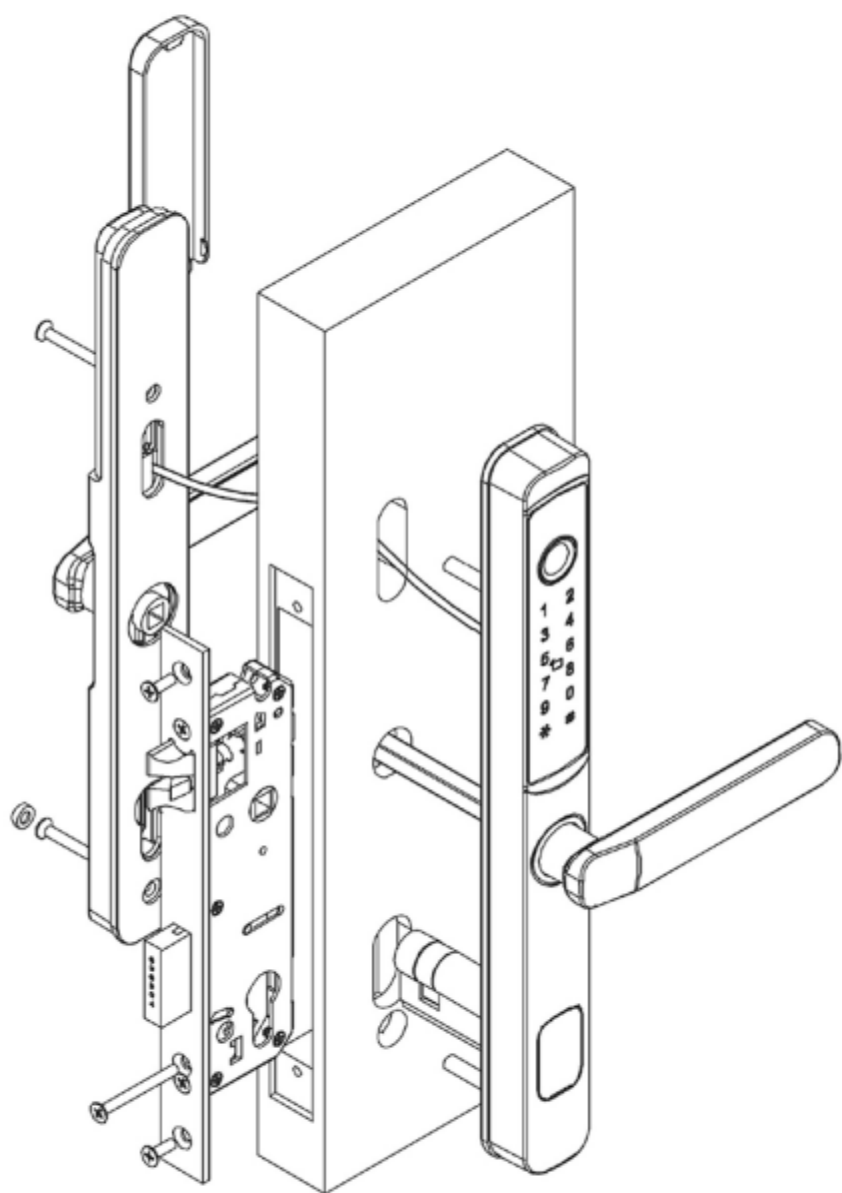


Fob

## Packing List

Item	Qty	Item	Qty
Exterior Assembly	1	Mortise Screws:10*5 mm (For Aluminum Door)	4
Interior Assembly	1	Mortise Screws:25*4mm (For Wooden Door)	4
Mortise	1	Key cylinder screw	1
Waterproof Rubber Plates	2	M4*45mm Screws	2
Strike Plate	1	Screw cylinders	2
Strike Box	1	60mm Square Spindle for door thickness 40mm- 45mm	1
Key Fobs	2	70mm Square Spindle for door thickness 46mm- 50mm	1
Mechanical Keys	2	User Manual	1

## Installation Overview



# Installation Guide

## 1. Preparing the door

1.1. If you are installing the SDL-SS1 smart door lock on an existing door, please remove existing door hardware and latch or bolts before installing the new lock.

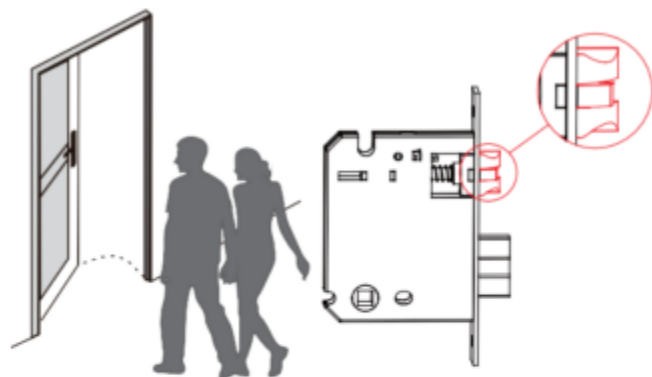
You can remove most existing door locks with a screwdriver.

If you are having problems removing your existing door lock or unsure if what you are doing can damage the existing door, please contact a locksmith or the current door hardware manufacturer for assistance.

1.2. After removing the existing lock, make sure your door is properly prepared. If you need to drill holes in your door, please use supplied templates to assist.

## 2. Installing the mortise

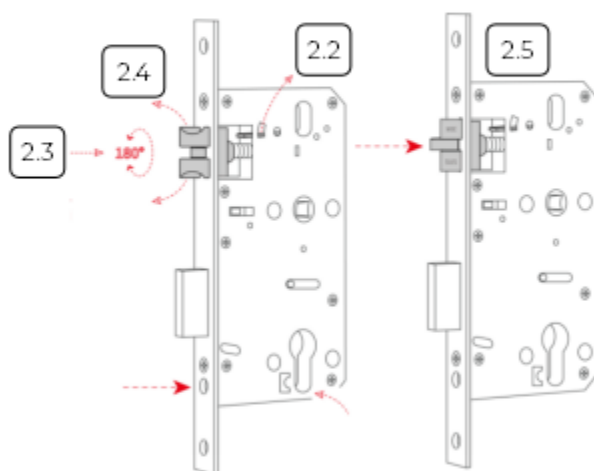
### Determine the door opening direction



2.1 Based on your door closing direction, you need to orient the slanted side of the latch throw to face towards the closing direction of the door.

You may skip this step if your door closing direction matches the slanted side of the latch throw.

## Adjust the latch throw



2.2 Move the metal barrier upwards.

2.3 Push the latch throw into the mortise entirely.

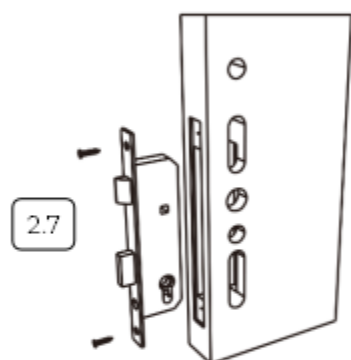
2.4 While the latch is inside the mortise, rotate the latch 180°.

2.5 Release the latch and it will come out of the mortise.

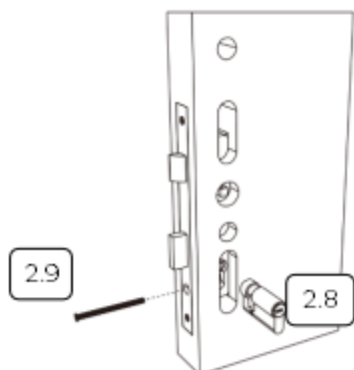
2.6 Move the metal barrier back to the default position.



## Install the mortise and key cylinder



2.7 Install the mortise into the mortise pocket in the door and secure using the mortise screws.



2.8 Insert the key cylinder into the mortise.

2.9 Insert the key cylinder screw horizontally through the mortise faceplate and fix to the key cylinder to hold the cylinder in place.

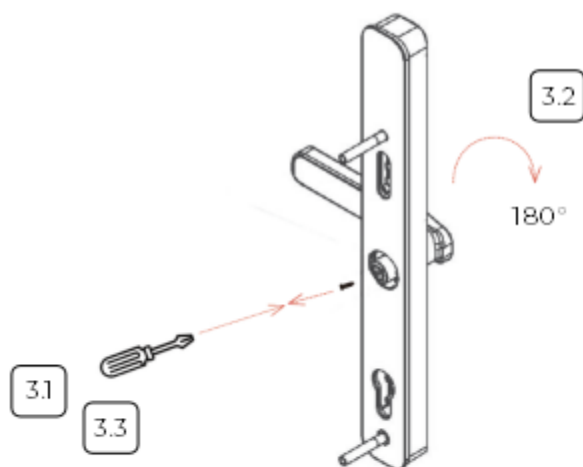
### 3. Changing handle orientation for right or left swing doors

#### How to check if your door is a Right Swing or Left Swing door?

While facing the door from the *secure* side of the door (i.e. from outside of the house for a front door), if the door hinges are on the right side of the door, you have a Right Swing Door. If the hinges are on the left side of the door, you have a Left Swing Door.

You may skip this step if your door matches the factory default handle orientation. To change your door handle orientation, please continue reading.

#### Changing the exterior handle orientation

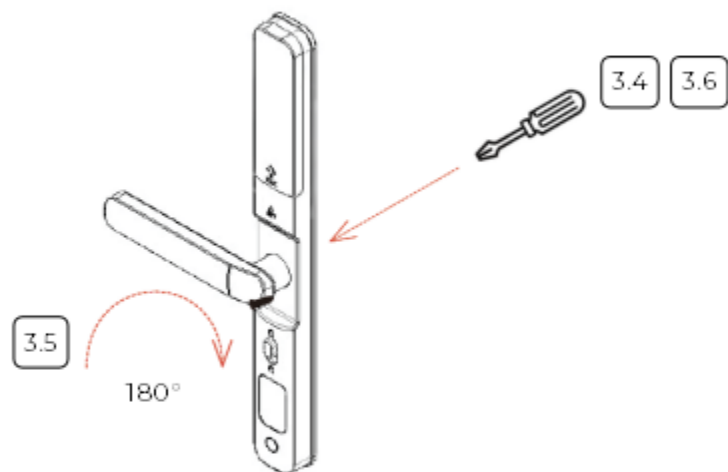


3.1 Remove the inner screw using a Philips head screwdriver as shown.

3.2 Remove the handle and rotate it to the desired direction.

3.3 Re-attach the handle and re-install the screw to secure the new handle orientation.

## Changing the interior handle orientation

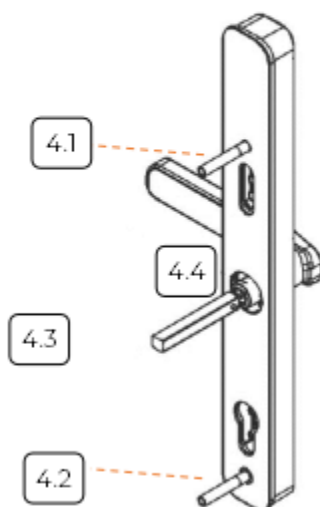


3.4 Remove the inner screw using a Philips head screwdriver as shown.

3.5 Remove the handle and rotate it to the desired direction.

3.6 Re-attach the handle and re-install the screw to secure the new handle orientation.

## 4. Installing the exterior assembly



4.1 Install the top screw cylinder.

4.2 Install the bottom screw cylinder.

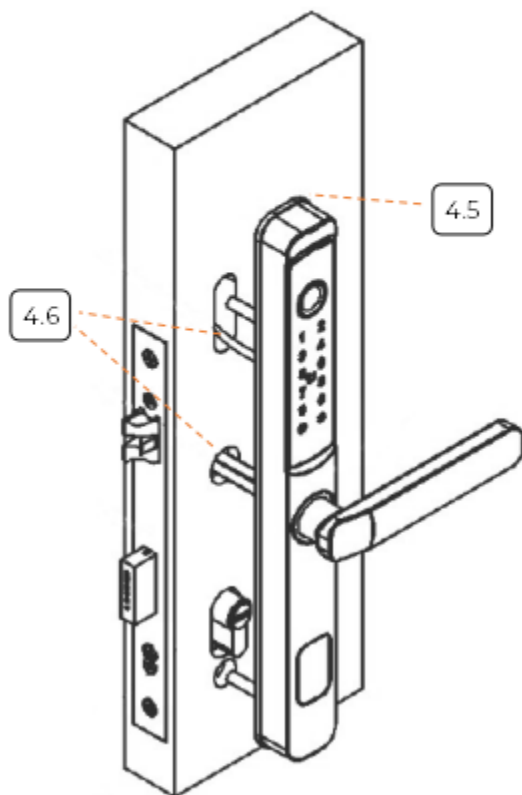
4.3 Insert the square spindle.

4.4 Turn the spindle by hand to point the arrow head to the correct direction:

4.4.1 If the handle is on your left-hand side, point the arrow up.

4.4.2 If the handle is on your right-hand side, point the arrow down.

**Important:** If the arrow is not pointing in the correct direction, the lock mechanism will fail to unlock.

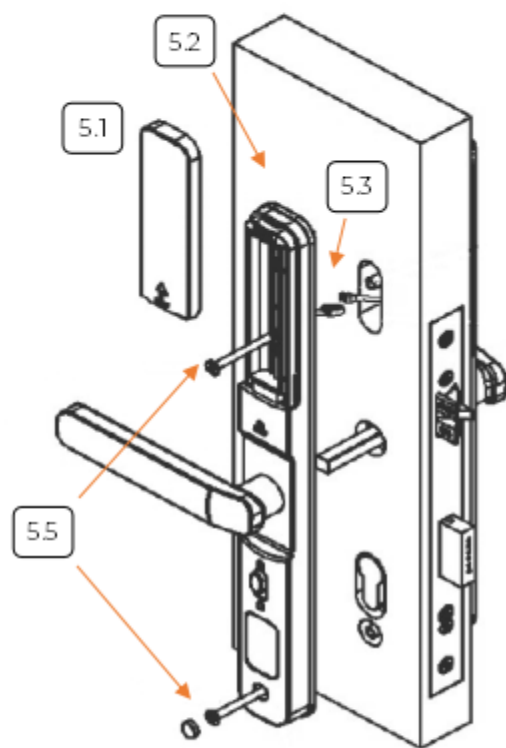


4.5 Fit the rubber gasket to the external assembly.

4.6 Install the exterior lock as shown by aligning the lock straight and holding it against the door, while passing the spindle through the round hole in the mortise. Make sure that the connection cable passes through the door also.

4.7 Secure the external handle to the door using a small double-sided tape or hold it until the internal handle is fixed.

## 5. Installing the interior assembly



5.1 Remove the battery cover and keep it aside.

5.2 Fit the rubber gasket to the internal assembly.

5.3 Plug the two white connection cables together, making sure that you match the direction of the plug correctly.

5.4 Align the square rod to the interior assembly and place the interior assembly flush against the door. While you are doing so, gently push the excess cable through the hole into the door cavity.

5.5 Once the Interior lock is flushed against the door frame, secure the lock at the top and bottom using the long M4 screws supplied.

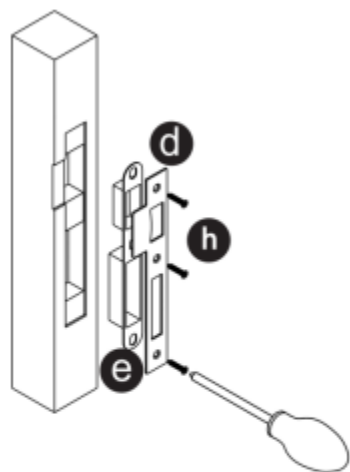
## 6. Installing batteries



6.1 Insert four AAA batteries into the lock by matching the positive (+) and negative (-) orientation markings on the batteries to the battery chamber.

6.2 Secure the battery cover.

## 7. Installing the door strike



7.1 Make sure the slanted side of the mortise latch is closing against the slanted part of the strike plate before fixing it on to door frame.

7.2 Fix the door strike to the door frame.

You're all done! You have completed the physical lock installation.

# Power and Test

Now that you have completed the physical lock installation, you are now ready to get the lock set up.

## 1. Activate the lock

1. Make sure fresh batteries are installed.
2. Touch or slide your finger over the keypad.
3. This should turn on the keypad and should provide voice feedback.

## 2. Test Lock and Unlock

### Important:

- Make sure you perform these operations while the door is open.
- Do not close the door until you have completed the programming and made sure the product is operating properly.

### From outside

1. Lift the outside handle up, the Bolt should lock.
2. Turn down the outside handle, the Bolt or the Latch should not unlock.
3. Enter the default passcode '123456#' and turn down the outside handle, the Bolt and the Latch should unlock.

### From inside

4. Lift the inside handle up, the Bolt should lock.
5. Turn down the inside handle, the Latch and Bolt should unlock.

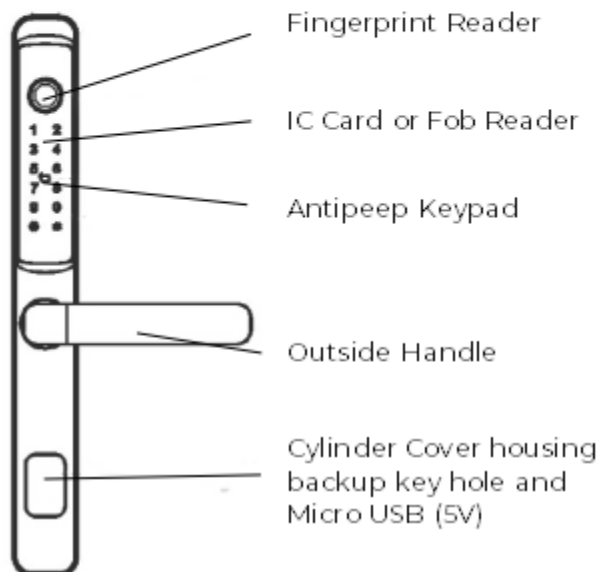
If all the steps above are successful, you can begin the programming of SDL-SS1. Otherwise, please re-install SDL-SS1 carefully as shown in the 'Installation Guide' section.



# User Guide

## 1. Product Overview

### 1.1. Exterior



#### **Anti-peep Keypad**

Used to enter the code and unlock from the outside.

#### **Fingerprint Reader**

Used to verify your finger and unlock from the outside.

#### **Key Fob/IC Card Reader**

Used to verify your key fob and unlock from the outside.

#### **Micro USB (5V)**

Used to connect a power bank to activate the lock when it runs out of battery.

#### **Backup Key Hole**

Used to insert the key to unlock.

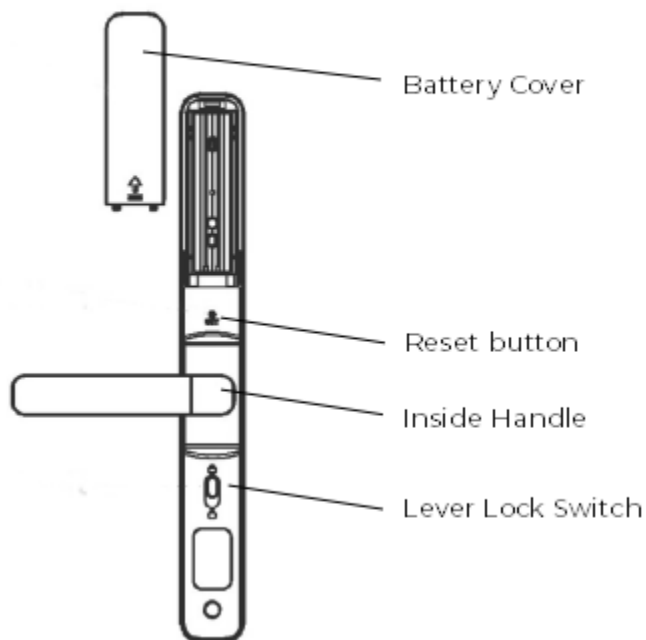
#### **Outside Handle**

Used to lock or unlock SDL-SS1

#### **0-9 Number Buttons**

Used to input key code and unlock from outside.

## 1.2. Interior



### **Battery Cover**

Used to cover the batteries.

### **Reset Button**

Used to reset SDL-SS1 to factory default settings.

### **Inside Handle**

Used to lock or unlock SDL-SS1 from inside.

### **Lever Lock Switch**

Used to lock the door mechanically from the inside so that it cannot be opened from the outside.

## **2. Basic operation**

### **2.1. Cleaning the Keypad and Finger Reader**

Use a microfiber cloth and wipe across the Anti-peep Keypad, Fingerprint Reader and Key Fob Reader.

### **2.2. Lock Activation**

Place a finger on the Fingerprint Reader, touch the Anti-peep keypad with the back of your hand or fingers, or, scan the Fob on the Key Fob Reader.

### **2.3. Unlock from outside**

#### **Unlock by Code**

1. Place a finger on the Anti-peep Keypad to activate SDL-SSI.
2. Input the 4-8 digit User Code from a registered user and press #.
3. Rotate the handle down to unlock SDL-SSI.

#### **Unlock by Fingerprint**

1. Press the finger from a registered user on the middle of the Fingerprint Reader to unlock it
2. Rotate the handle down to unlock SDL-SSI.

#### **Unlock by Key Fob**

1. Scan the Key Fob from a registered user on the Key Fob Reader.
2. Rotate the handle down to unlock SDL-SSI.

#### **Unlock by Smartphone**

1. Press the Unlock Button in the TTLock App.
2. Rotate the handle down to unlock SDL-SSI.

## **Backup Key**

1. Press on the top of the cylinder cover (located at the bottom of the SDL-SS1's exterior assembly). Then pry the cylinder cover upwards and twist it to locate the keyhole.
2. Insert the backup key with a vertical position and rotate 180° clockwise to unlock the deadbolt. Continue rotating a further 220° clockwise to release the latch.
3. Pull the handle to open the door.

## **2.4. Unlock from inside**

1. Rotate the handle down to unlock SDL-SS1.

## **2.5. Lock from outside**

### **Lock Latch**

*When Auto-Lock is on (Default):*

SDL-SS1 will lock the Latch automatically 5 seconds after the last unlock (time duration can be configured using the TTLock app).

*When Auto-Lock is off:*

1. Place a finger on the Anti-peep Keypad to activate SDL-SS1.
  2. Press and hold the # key for 3 seconds.
- Or Tap the 'Padlock' icon on the TTLock App.

### **Lock Bolt**

Lift the Outside Handle up to lock the Bolt.

## **2.6. Lock from inside**

### **Lock Latch**

*When Auto-Lock is on (Default):*

SDL-SS1 will lock the Latch automatically 5 seconds after the last unlock (time duration can be configured using the TTLock app).

*When Auto-Lock is off:*

Tap the 'Padlock' icon on the TTLock App.

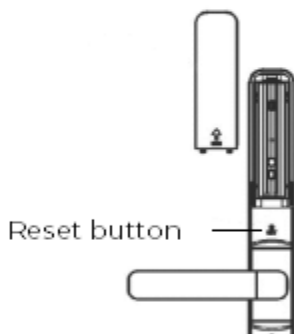
### **Lock Bolt**

Lift up the Inside Handle to lock the Bolt.

## 2.7. Factory Reset

**Important:** All data will be erased if you reset SDL-SS1 to factory default settings.

1. Press and hold the "Reset" button for 5 seconds.
2. Press "000#" to complete the reset process.



## 2.8. 5V Emergency Power

**Note:** 5V Emergency Power is only for temporary power and not for charging the lock batteries.

1. Press on the top of the cylinder cover (located at the bottom of the SDL-SS1's exterior assembly). Then pry the cylinder cover upwards and twist it to locate the micro USB port
2. Use a regular 5V power bank to power.

## 2.9. Lever Lock Switch

1. Slide the switch up to turn on the Lever Lock. Once activated, door lock lever cannot be turned to unlock the door.
2. Slide the switch down to turn off the Lever Lock.

## 2.10. Anti-peep Keypad

The lock supports 4-8 digit key codes. You can choose to enter any 16 digit code, as long as a correct code is included within the sequence of numbers you have entered.

Example User Code: **1234**

Example Valid Keypad Input: 045**1234**794

## 2.11. Finger Placement

- Your finger should cover the Reader completely with some pressure, touching the surrounding metal ring.
- Make sure that your finger and the Fingerprint Reader are clean and dry. For the Fingerprint Reader, use a clean microfiber cloth to wipe off any dirt or debris.
- While scanning your finger, you shouldn't tap too quickly or move your finger around.
- If you have trouble enrolling one finger, try another.

## 2.12. Use the Key Fob

When using the Key Fob access, please place the Key Fob at the centre to cover the reader.

Approach the sensor with medium speed (instead of sudden motion). If it's not working, move the Key Fob away and re-try.

## 2.13. Lock Status

### Normal Mode

This is the default mode. User must pass the fingerprint, code, fob or App access verification to unlock SDL-SS1 from outside.

### Passage Mode

SDL-SS1 will stay unlocked for convenient free passage (time duration can be configured using the TTLock app).



# Programming Guide

## Important:

- Enable Bluetooth on your smart phone before continuing.
- All the operations related to configuring the new smart lock should be performed within one meter radius to the lock.

## 1. Download the app

Scan to download the APP or search '**TTLock**' on your app store.



This section shows you the basic configurations of the smart lock using the TTLock application to get you started using the smart door lock.

For a complete guide of the TTLock application functions, scan the QR code below.

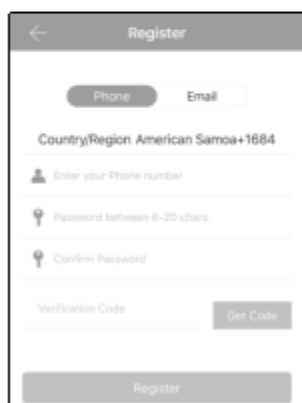




## 2. Login to TTLock Account

If this is your first time using the TTLock app, you need to register a new user account. Once an account has been created, you can use the same account to manage all your locks.

If you already have an account, you can skip the registration and login to the application with your account credentials.



### Registering a new account

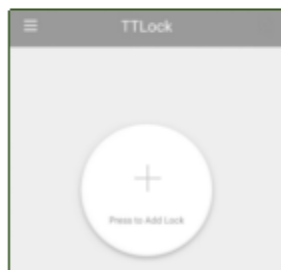
1. Open the TTLock application
2. Follow the prompts to register a new account

### Login to the account

3. Login to your account with your username and password.

### Login Successful

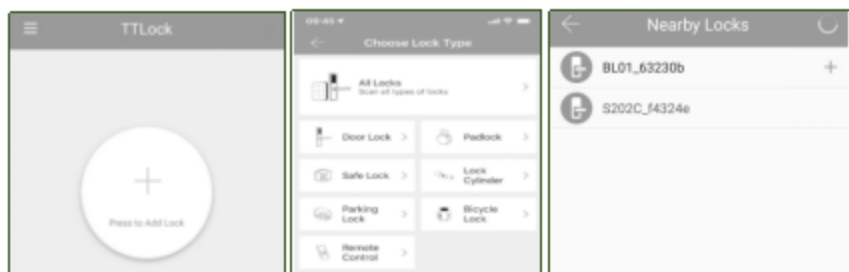
Once you are logged into the application you will be taken to the Home page of the TTLock application.



### 3. Adding the lock to the TLock app

#### Important:

- The default password is 123456.
- Once you complete this step, you will become the Bluetooth administrator of the lock. There can be only one **Bluetooth administrator** for any given lock.
- You can add more users with administrator privileges, however, the Bluetooth administrator has the highest permission level.
- To remove a **Bluetooth Administrator**, go to the 'Factory Reset' and follow the steps to reset the lock to the factory default.



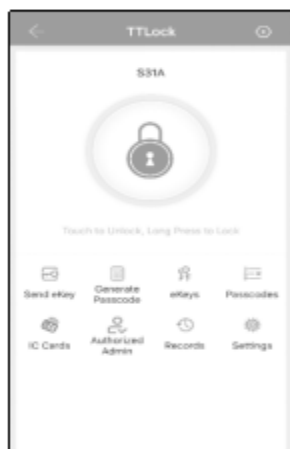
1. Tap the add button
2. Tap the 'All Locks' button

**Important:** Make sure the smart lock active (or keypad is illuminated). If not, touch or slide your finger over the keypad until the keypad is illuminated.

3. Now the application will scan for nearby locks and once a lock is found, tap the '+' button next to the correct lock.
4. Enter a lock name. E.g. Front door, Room 1
5. If successful, you will be taken to the Home page of the new lock. Now the lock is added to your account and ready to be configured.

### 3. Configuring the lock access using TLock application

#### Unlock using the TLock application



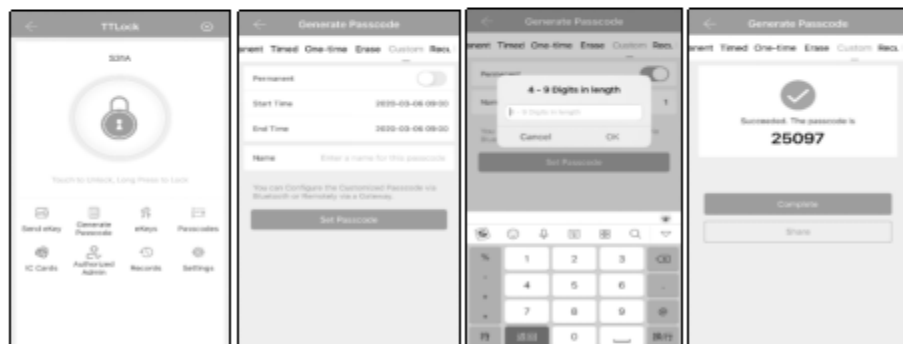
1. Make sure you are on the Home screen of the newly added lock.
2. Tap the 'Padlock' icon to unlock the smart lock.
3. If successful, you will hear the sound of the lock handle engaging and you should be able to unlock the lock by rotating the exterior handle

#### Setting a passcode

There are multiple types of passcodes such as permanent, time-limited, one-time, etc. You can choose to create any type based on your access requirements for each user.

You can also choose to generate a random passcode from the Application or a custom passcode based on your needs.

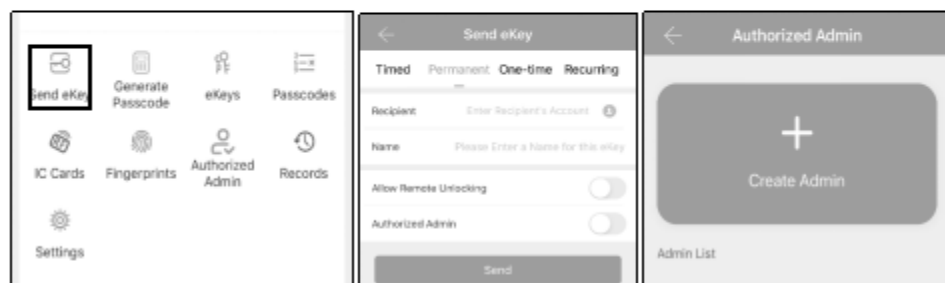
1. From the Home page options, tap 'Generate Passcode'
2. Choose the type of passcode you want to create by navigating the tabs.
3. Generate the new passcode



## Send e-key

You can send e-keys to other users to grant application access to the lock.

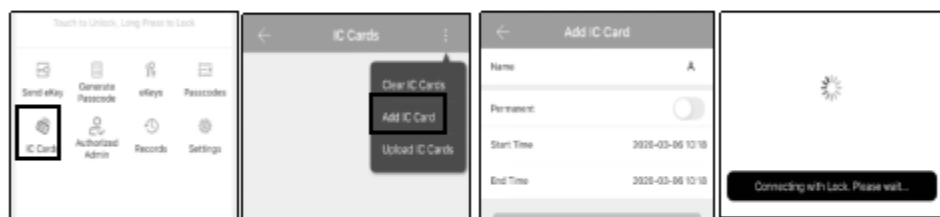
**Important:** The receiver must have the TLock application installed and registered with TLock prior to receiving the e-key.



1. Tap 'Send eKey' on the lock Home screen.
2. Select the e-key type by navigating the tabs (i.e. timed, permanent, one-time, recurring)
3. Enter the recipient's TLock account username and name
4. You can choose to 'Allow Remote Unlocking' capability, if necessary.
5. Select 'Authorized Admin' if you want to make this user an administrator.
6. Tap 'Send'.

## Register IC Card/Key Fob

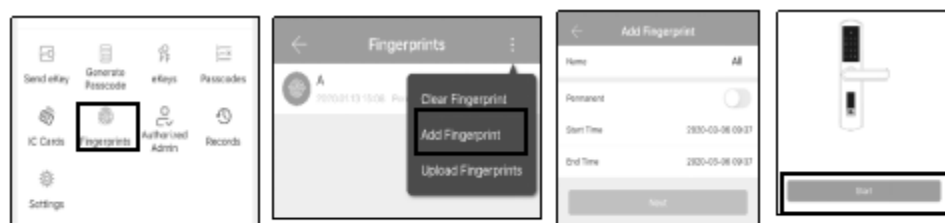
**Important:** This operation must be performed near the lock



1. Tap 'IC Cards' on the lock Home screen.
2. Select 'Add IC Card' from the context menu.
3. Enter IC card details.
4. Tap the IC Card to the exterior lock panel IC card reader area.

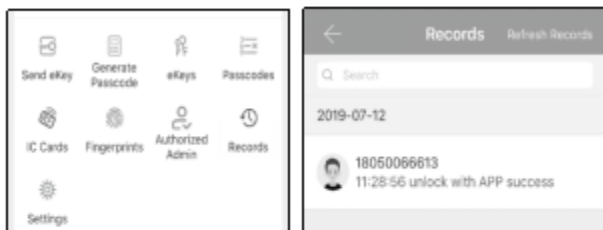
## Register fingerprint

**Important:** This operation must be performed near the lock



1. Tap 'Fingerprints' on the lock Home screen.
2. Select 'Add fingerprint' from the context menu.
3. Enter fingerprint details.
4. Start the fingerprint scan process and follow the on-screen instructions.

## Check Logs



1. Tap 'Records' from the lock Home screen.

## 4. Configuring the Wi-Fi Gateway (optional)

### Important:

- You should install the Wi-Fi Gateway only after you have successfully finished installation and set up your Smart Lock using Bluetooth.
- When configuring, your phone and the Wi-Fi gateway must be connected to the same **2.4GHz** network.
- If the process times out at any point, power off the Gateway and start the process again.

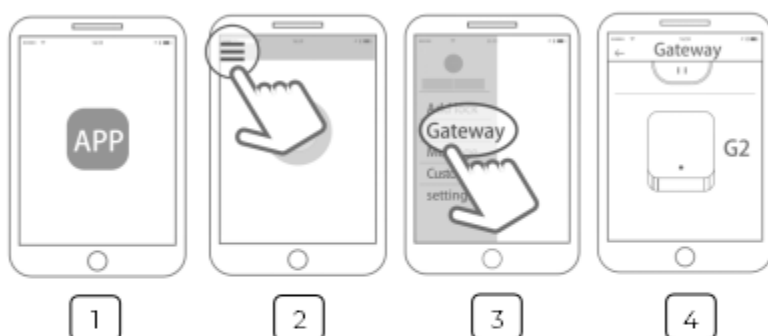
### Understanding indicator light status



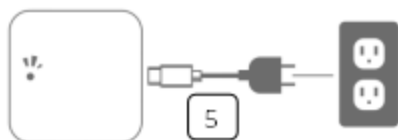
When the gateway is power on:

- Light flashes alternately with red and blue:  
Stand-by mode, ready for connection
- Blue light: working mode
- Red light: network failure

## Paring the Wi-Fi Gateway with the TLock App



1. Open the TLock App.
2. Tap the '☰' button.
3. Select 'Gateway'.
4. Select 'G2'.



5. Plug the Gateway and power it on. The indicator light should flash red and blue alternatively.



6. Tap the '+' next to the correct Gateway.
7. Add Gateway
8. Select the 'WiFi' and enter the password.
9. Paring is now complete.



We are here to help!

For additional support,  
Visit <https://smartdoorlocks.com.au/pages/contact-us>  
or email [sales@smartdoorlocks.com.au](mailto:sales@smartdoorlocks.com.au)  
or contact us 1300 624 046

