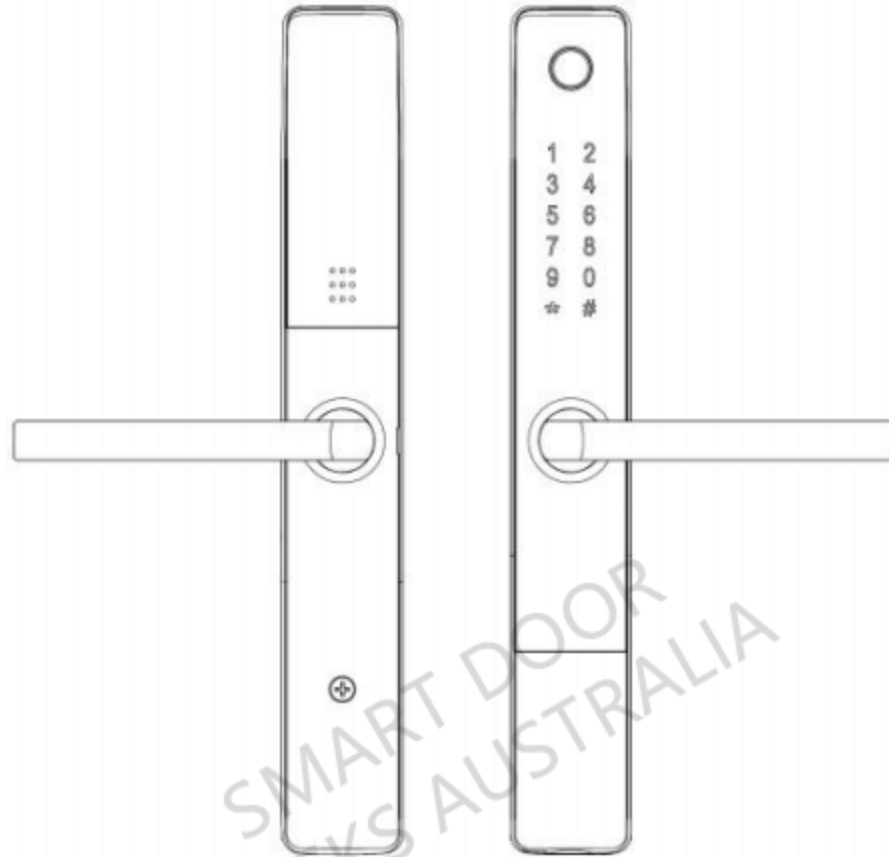


Installation Guide

Smart Door Locks Australia

SDL-S1



First, please refer to the **installation video** by scanning the QR code below.



V.1.1.0

Precautions for Installation

WARNING: FAILURE TO FOLLOW THESE INSTRUCTIONS COULD RESULT IN DAMAGE TO THE PRODUCT AND COULD LEAD TO FAILURE OF THE PRODUCT TO PROVIDE ACCESS

- For your safety, be careful when operating tools or heavy machinery during installation.
- For best results, avoid installing the product in a rainy, humid, or saline environment (e.g. coastal area), or a place exposed to direct sunlight for a long period of time.
- Long-term exposure to direct sunlight may cause a crack on the touch pad. Avoid exposure to direct sunlight.
- Excessive dew condensation may affect product performance.
- You must not repair this product without authorization.
- Install the product while the **door is open**. Even after completing the installation, **do not close the door** until you check if the product is operating properly.
- While installing the product, do not let it **fall to the ground**. If the product falls or is dropped during installation, you may be injured or the product may be damaged.
- Do not install the batteries until you complete the installation.

Packing List

Item	Qty	Item	Qty
Exterior Assembly	1	Sliding Screws: 16*5mm	2
Interior Assembly	1	Mortise Screws: 10*5 mm (For Aluminum Door)	4
Mortise	1	Mortise Screws: 25*4mm (For Wooden Door)	4
M5 Key cylinder screw & Nut	1	M5*25mm Screw for door thickness 33-40mm	1
U-Clip	1	M5*30mm Screw for door thickness 33-40mm	1
Strike Plate	1	M5*40mm Screw for door thickness 41-50mm	1
Strike Box	1	M5*50mm Screw for door thickness 41-50mm	1
Key Fobs	3	M5*60mm Screw for door thickness 51-65mm	1
Mechanical Keys	2	M5*70mm Screw for door thickness 51-65mm	1
Waterproof Rubber Plates	2	60mm Square shaft for door thickness 35mm-55mm	1
Screw Stubs: 30*8 mm	2	80mm Square shaft for door thickness 45mm-65mm	1
Screw Stubs: 35*8 mm	2	User Manual	1

Installation Guide

1. Preparing the door

1.1. If you are installing the SDL-S1 smart door lock on an existing door, please remove existing door hardware and latch or bolts before installing the new lock.

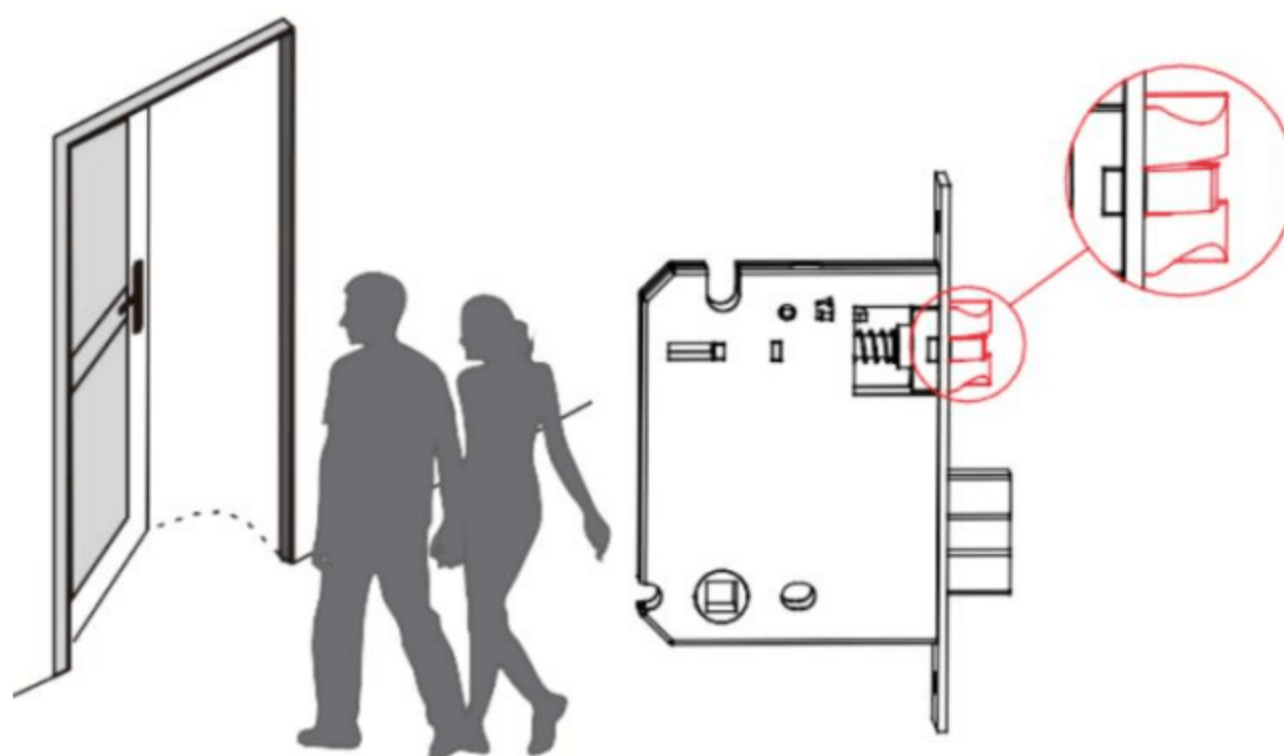
You can remove most existing door locks with a screwdriver.

If you are having problems removing your existing door lock or unsure if what you are doing can damage the existing door, please contact a locksmith or the current door hardware manufacturer for assistance.

1.2. After removing the existing lock, make sure your door is properly prepared. If you need to drill holes in your door, please use supplied templates to assist.

2. Installing the mortise

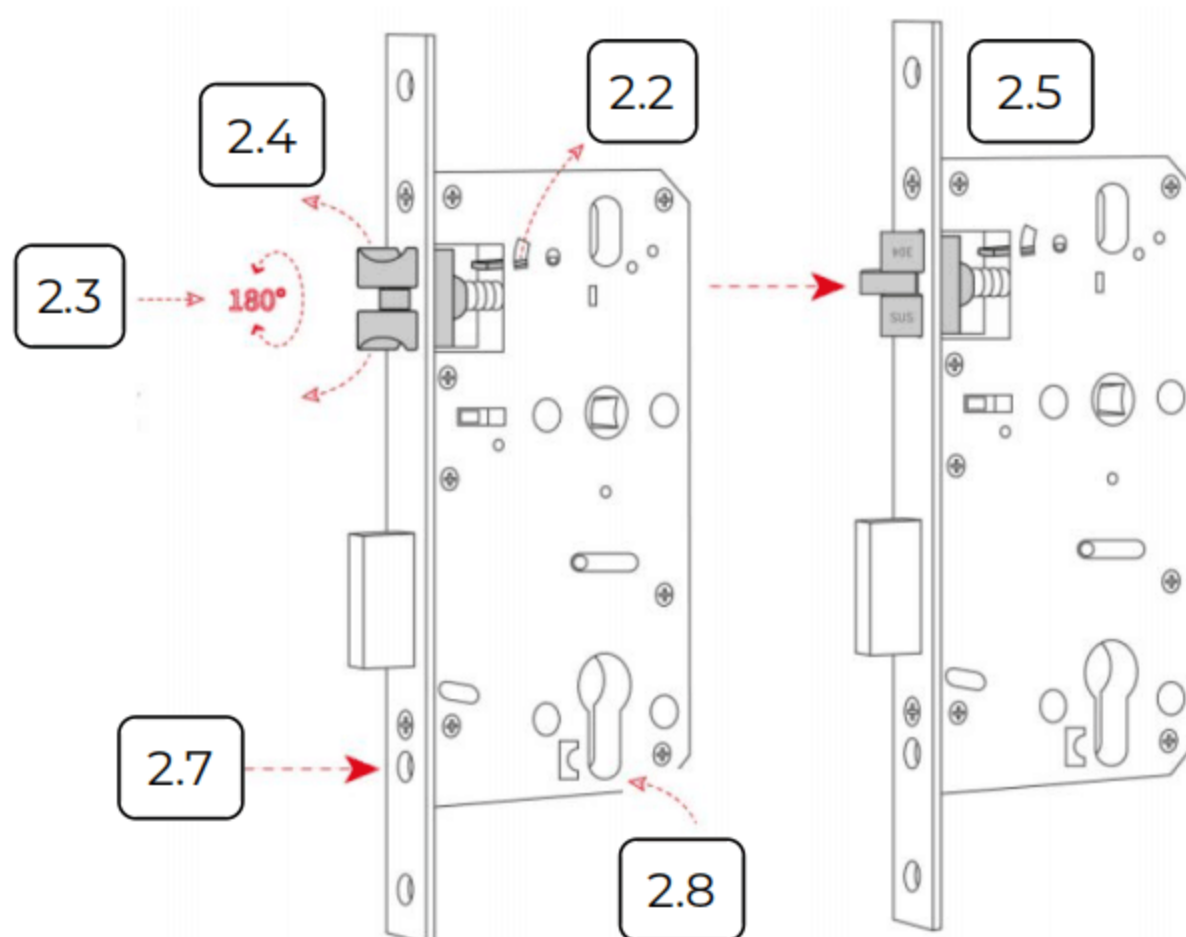
Determine the door opening direction



2.1 Based on your door closing direction, you have to orient the slanted side of the latch throw to face towards the closing direction of the door.

You may skip this step if your door closing direction matches the slanted side of the latch throw.

Adjust the latch throw



2.2 Move the metal barrier upwards.

2.3 Push the latch throw into the mortise entirely.

2.4 While the latch is inside the mortise, rotate the latch 180°.

2.5 Release the latch and it will come out of the mortise.

2.6 And, move the metal barrier back to the default position.

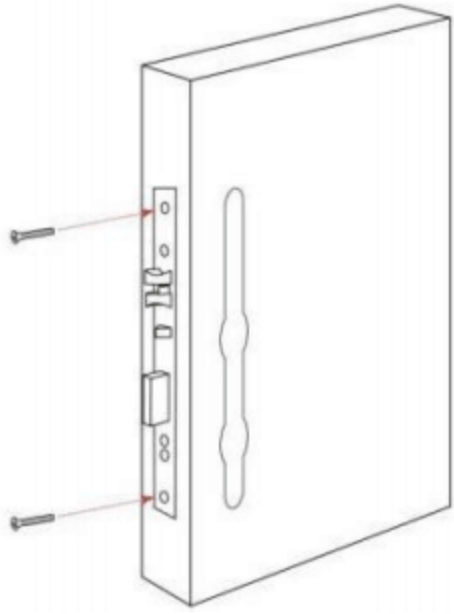
(Optional) Cover the key cylinder screw hole

Note: This only applies, if the mortise face plate has a key-cylinder hole (check the diagram above, step 2.7)

2.7 Insert the key-cylinder screw horizontally through the mortise faceplate.

2.8 Using long-nose pliers, push the Nut through the key-cylinder hole and attach it to the screw.

Install the mortise



2.9 Install the mortise into the mortise pocket in the door and secure using the mortise screws.

SMART DOOR
LOCKS AUSTRALIA

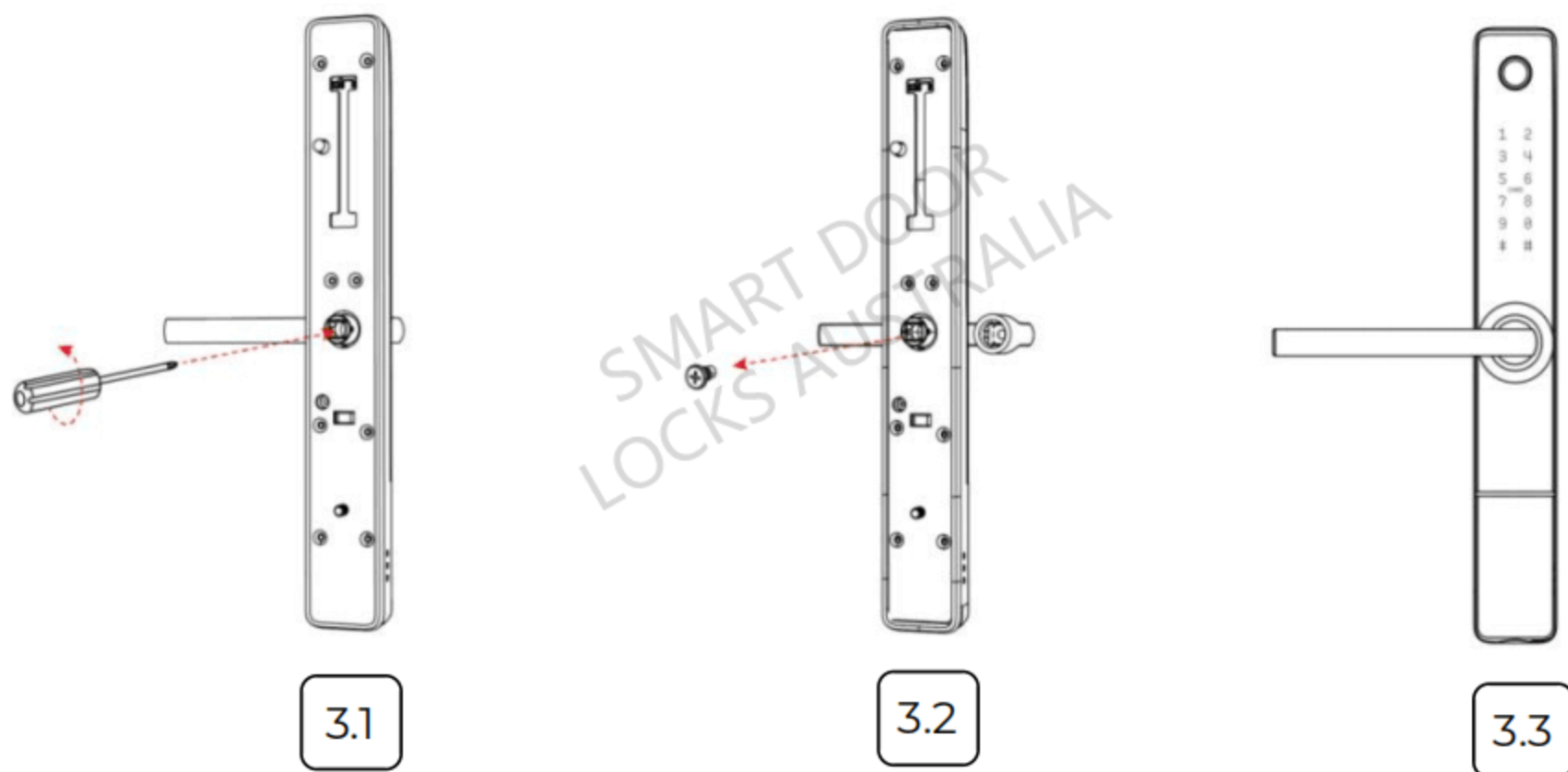
3. Changing handle orientation for right or left swing doors

How to check if your door is a Right Swing or Left Swing door?

While facing the door from the *secure* side of the door (i.e. from outside of the house for a front door), if the door hinges are on the right side of the door, you have a Right Swing Door. If the hinges are on the left side of the door, you have a Left Swing Door.

You may skip this step if your door matches the factory default handle orientation. To change your door handle orientation, please continue reading.

Changing the Exterior Handle Orientation

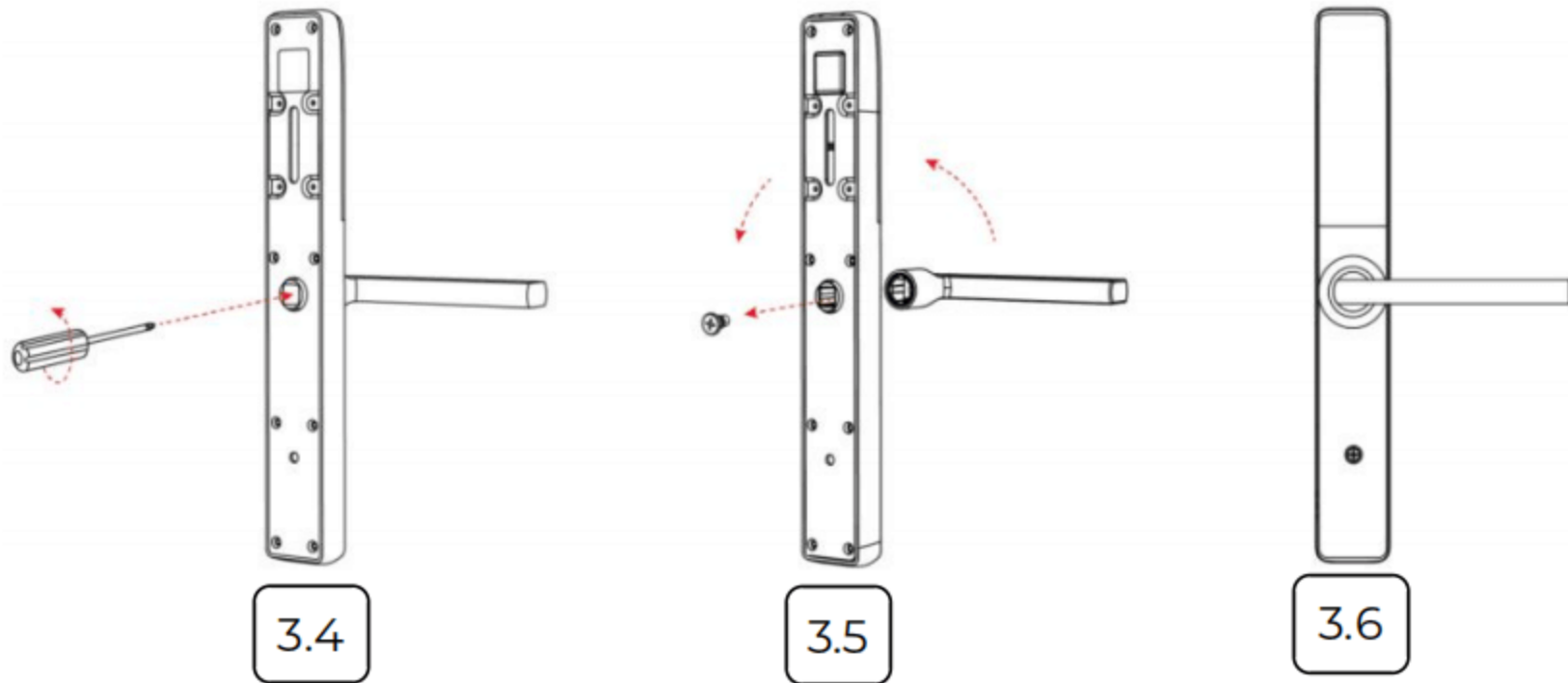


3.1 Remove the inner screw using a screwdriver as shown.

3.2 Remove the handle and rotate the handle 180 degrees to the other side of the lock.

3.3 Re-attach the handle and re-install the screw to secure the new handle orientation.

Changing the Interior Handle Orientation



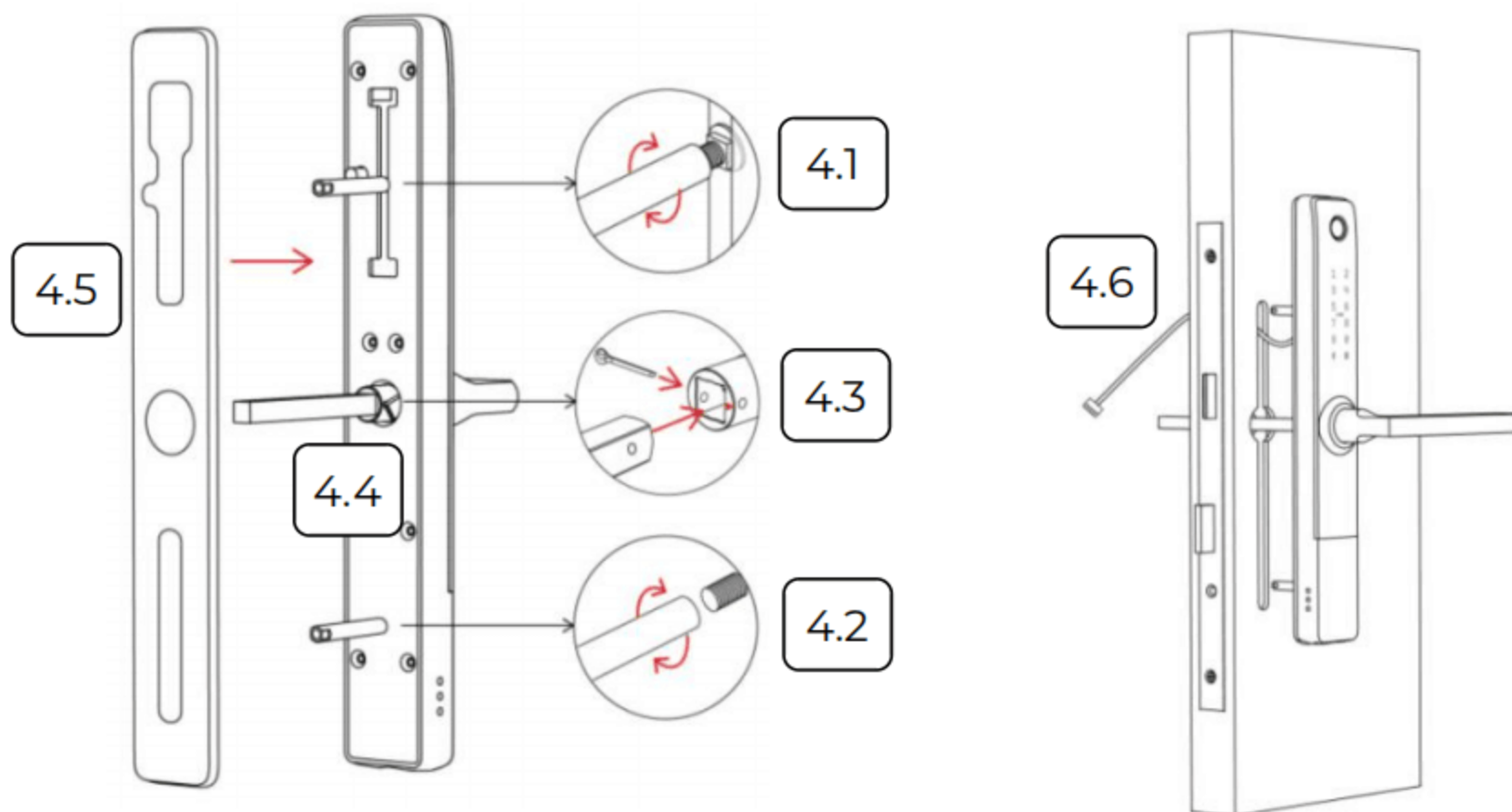
3.4 Remove the inner screw using a screwdriver as shown.

3.5 Remove the handle and rotate the handle 180 degrees to the other side of the lock.

3.6 Re-attach the handle and re-install the screw to secure the new handle orientation.

SMART DOOR
LOCKS AUSTRALIA

4. Installing the exterior handle



4.1 Insert the sliding screw into the sliding screw cylinder. Fix the sliding screw assembly to the handle and align to the screw hole position on the door.

4.2 Insert the bottom screw cylinder.

4.3 Insert the square spindle and secure it with the u-clip provided.

4.4 Turn the spindle by hand and make sure the arrow is pointing to the handle direction.

4.4.1 If the handle is on your left-hand side, point the arrow to left.

4.4.2 If the handle is on your right-hand side, point the arrow to right.

Important: If the arrow is not pointing to the handle direction, the lock mechanism will fail to unlock.

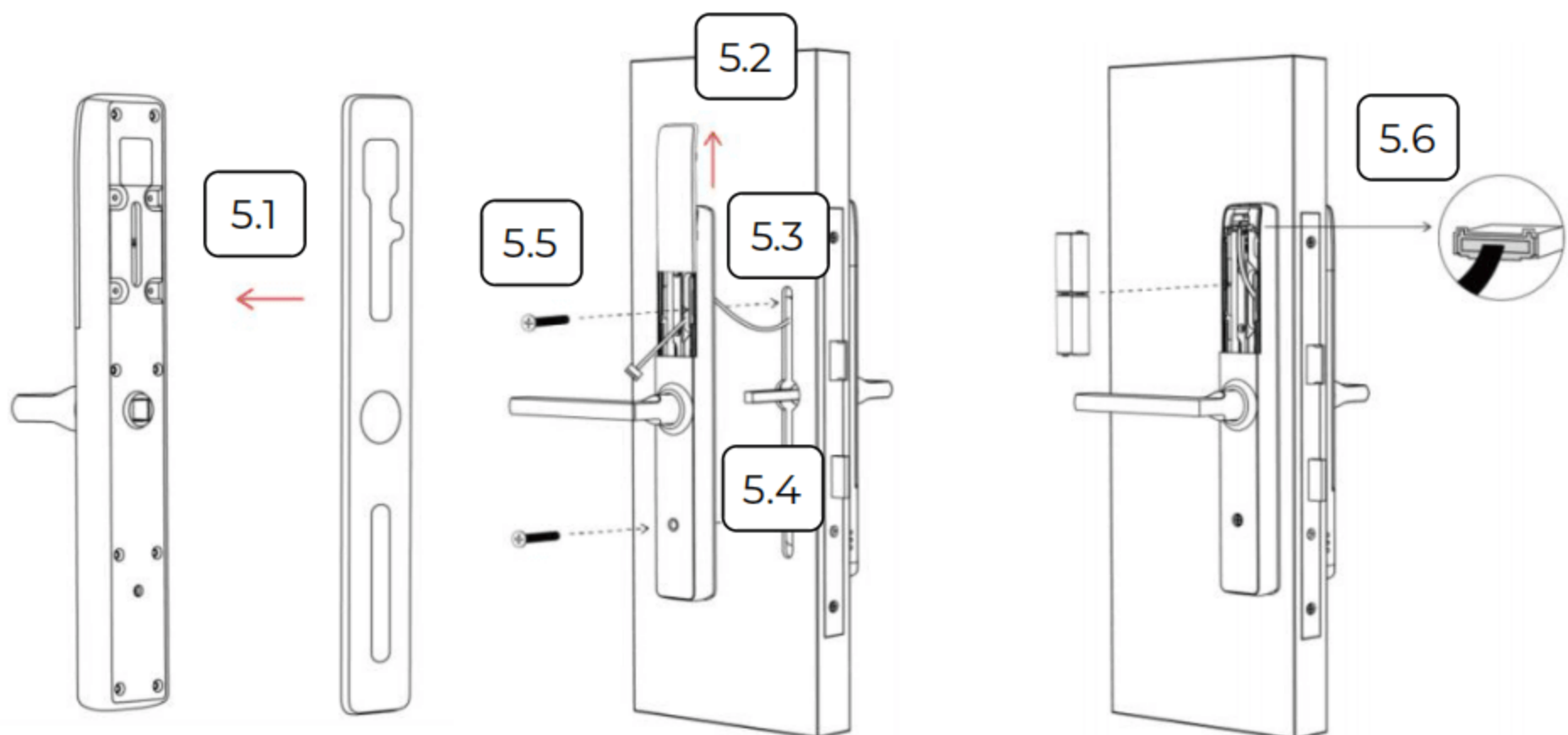
4.5 Install the rubber gasket.

4.6 Push the connection cable through the door.

4.7 Install the exterior lock as shown by aligning the lock straight and passing the attached rods through the mortise.

4.8 Secure the external handle to the door using a small double-sided tape or hold it until the internal handle is fixed.

5. Installing the Interior handle



5.1 Install the rubber gasket.

5.2 Remove the battery cover and keep it aside.

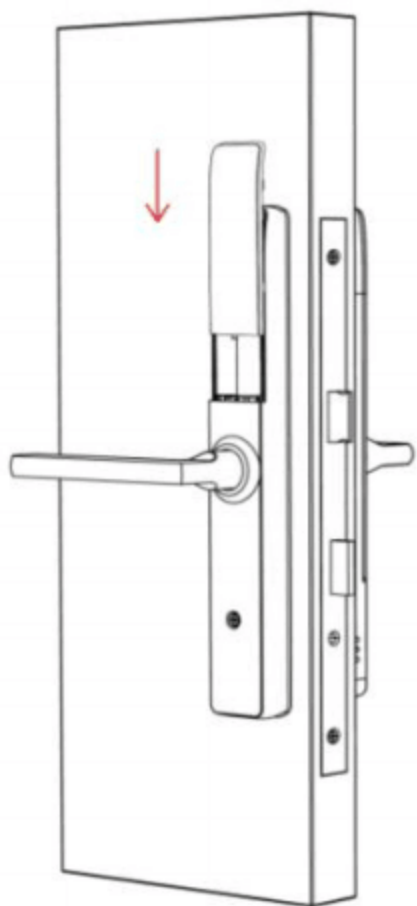
5.3 Squeeze and push the connection cable through the opening inside the battery compartment.

5.4 Align the square rod to the Interior lock and attach the interior lock to the door frame. While you are doing so, gently push the excess cable through the hole into the door cavity.

5.5 Once the Interior lock is flushed against the door frame, secure the lock using supplied screws.

5.6 Plug the cable that is coming through the door into the interior lock connector located inside the battery compartment. Make sure you match the direction of the plug correctly.

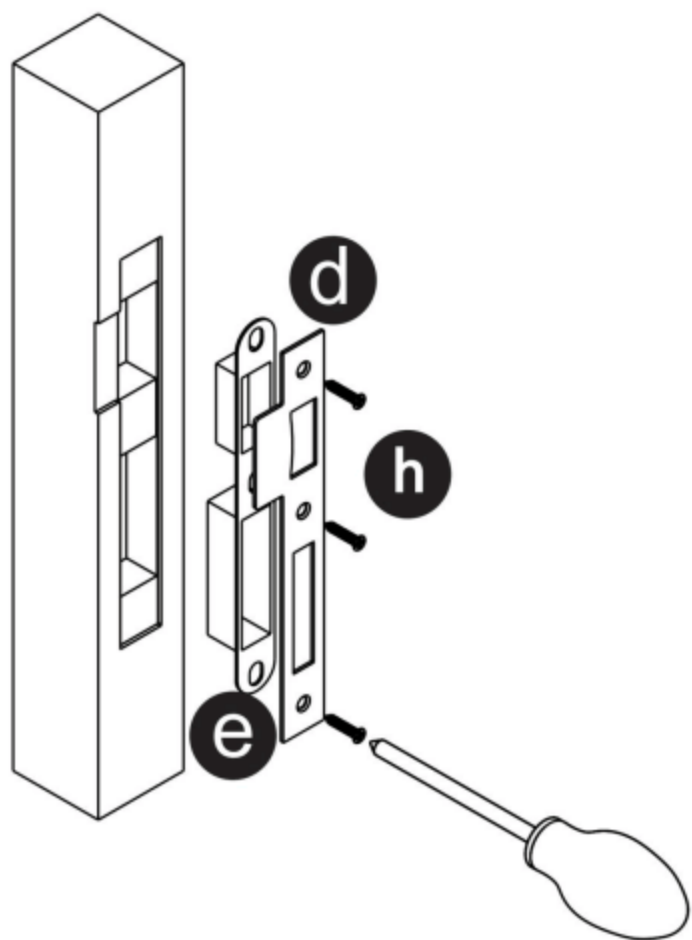
6. Installing batteries



6.1 Insert the batteries into the lock by matching the positive (+) and negative (-) orientation markings on the batteries to the battery chamber.

6.2 Secure the battery cover.

7. Installing the door strike



SMART DOOR
LOCKS AUSTRALIA

7.1 Make sure the slanted side of the mortise latch is closing against the slanted part of the strike plate before fixing it on to door frame.

7.2 Fix the door strike to the door frame.

8. Finishing installation

8.1 You're all done! You have completed the physical lock installation and now you're ready to get the lock set up.

Power and Test

1. Activate the lock

1. Make sure fresh batteries are installed.
2. Touch or slide your finger over the keypad.
3. This should turn on the keypad and should provide voice feedback.

2. Test Lock and Unlock

Important:

- Make sure you perform these operations while the door is open.
- Do not close the door until you have completed the programming and made sure the product is operating properly.

From outside

1. Lift the outside handle up, the Bolt should lock.
2. Turn down the outside handle, the Bolt or the Latch should not unlock.
3. Enter the default passcode '123456#' and turn down the outside handle, the Bolt and the Latch should unlock.

From inside

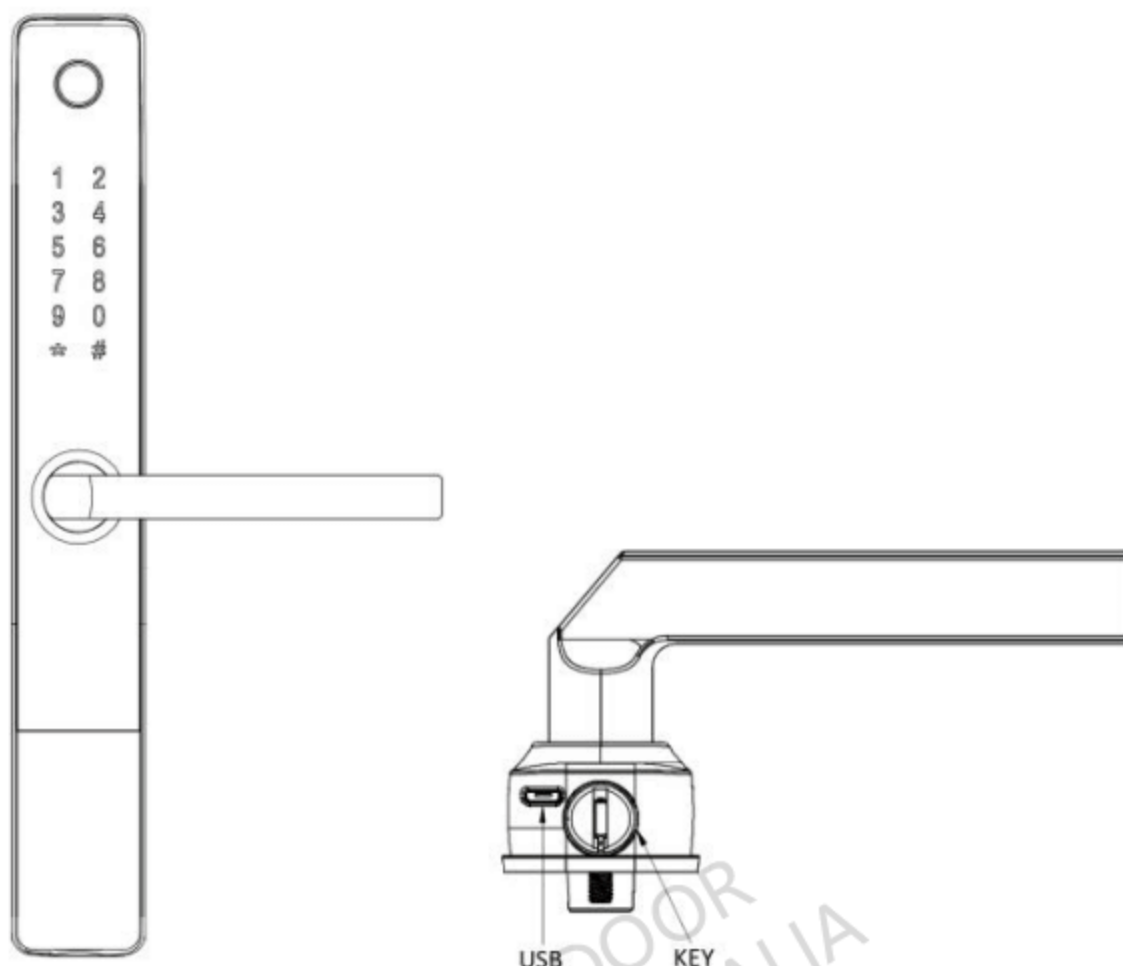
4. Lift the inside handle up, the Bolt should lock.
5. Turn down the inside handle, the Latch and Bolt should unlock.

If all the steps above are successful, you can begin the programming of SDL-S1. Otherwise, please re-install SDL-S1 carefully as shown in the 'Installation Guide' section.

User Guide

1. Product Overview

1.1. Exterior



Anti-peep Keypad

Used to enter the code and unlock from the outside.

Fingerprint Reader

Used to verify your finger and unlock from the outside.

Key Fob/IC Card Reader

Used to verify your key fob and unlock from the outside.

Micro USB (5V)

Used to connect a power bank to activate the lock when it runs out of battery.

Backup Key Hole

Used to insert the key to unlock.

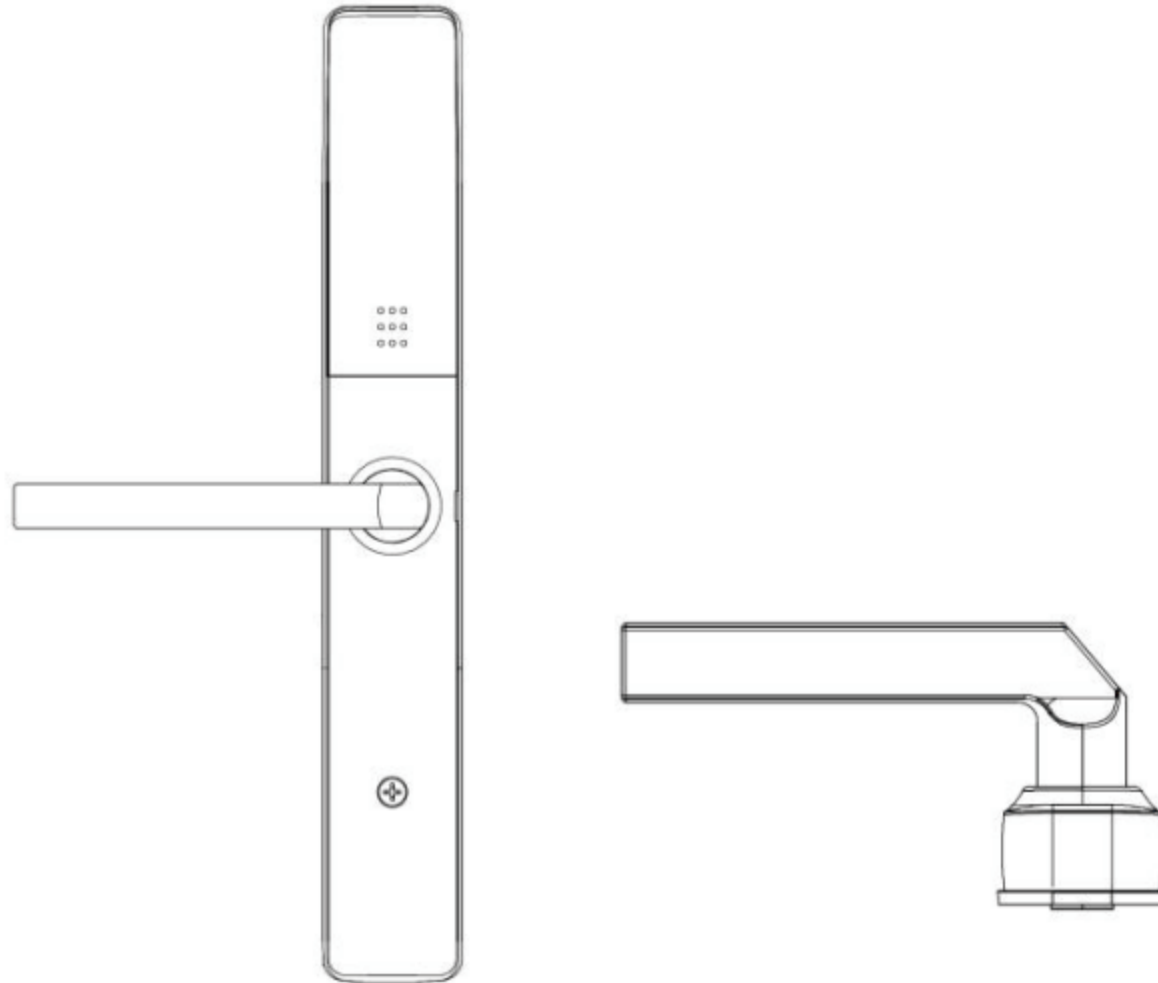
Outside Handle

Used to lock or unlock SDL-S1

0-9 Number Button

Used to input key code and unlock from outside.

1.2. Interior



Battery Cover

Used to cover the batteries.

Reset Button (inside the battery cover)

Used to reset SDL-S1 to factory default settings.

Inside Handle

Used to lock or unlock SDL-S1 from inside.

2. Basic operation

2.1. Cleaning the Keypad and Finger Reader

Use a microfiber cloth and wipe across the Anti-peep Keypad, Fingerprint Reader and Key Fob Reader.

2.2. Lock Activation

Place a finger on the Fingerprint Reader, touch the Anti-peep keypad with the back of your hand or fingers, or, present the Fob on the Key Fob Reader.

2.3. Unlock from outside

Unlock by Code

1. Place a finger on the Anti-peep Keypad to activate SDL-S1.
2. Input the 4-8 digit User Code from a registered user and press #.
3. Rotate the handle down to unlock SDL-S1.

Unlock by Fingerprint

1. Press the finger from a registered user on the middle of the Fingerprint Reader to unlock it
2. Rotate the handle down to unlock SDL-S1.

Unlock by Key Fob

1. Present the Key Fob from a registered user on the Key Fob Reader.
2. Rotate the handle down to unlock SDL-S1.

Unlock by Smartphone

1. Press the Unlock Button in the TLock App.
2. Rotate the handle down to unlock SDL-S1.

Backup Key

1. Locate the keyhole at the bottom of SDL-S1's Exterior Assembly.
2. Insert the backup key with a vertical position and rotate it to a horizontal position to open it.
3. Rotate the handle down to unlock SDL-S1.

2.4. Unlock from inside

1. Rotate the handle down to unlock SDL-S1.

2.5. Lock from outside

Lock Latch

When Auto-Lock is on:

SDL-S1 will lock the Latch automatically 5 seconds after the last unlock (time duration can be configured using the TLock app).

When Auto-Lock is off:

1. Place a finger on the Anti-peep Keypad to activate SDL-S1.
 2. Press and hold the # key for 3 seconds.
- Or Tap the 'Padlock' icon on the TLock App.

Lock Bolt

Lift the Outside Handle up to lock the Bolt.

2.6. Lock from inside

Lock Latch

When Auto-Lock is on:

SDL-S1 will lock the Latch automatically 5 seconds after the last unlock (time duration can be configured using the TLock app).

When Auto-Lock is off:

Tap the 'Padlock' icon on the TLock App.

Lock Bolt

Lift up the Inside Handle to lock the Bolt.

2.7. Factory Reset

Important: All data will be erased if you reset SDL-S1 to factory default settings.

1. Open the battery cover.
2. Use a paper clip and press the "Reset" button for 5 seconds.
3. Press "000#" to complete the reset process.

2.8. 5V Emergency Power

Note: 5V Emergency Power is only for temporary power or not being able to charge the lock.

1. Locate the USB port at the bottom of SDL-S1's Exterior Assembly.
2. Use a regular 5V power bank to power.

2.9. Anti-peep Keypad

The lock supports 4-8 digit key codes. You can choose to enter any 16 digit code, as long as a correct code is included within the sequence of numbers you have entered.

Example User Code: **1234**

Example Valid Keypad Input: 045**1234**794

2.10. Finger Placement

- Your finger should cover the Reader completely with some pressure, touching the surrounding metal ring.
- Make sure that your finger and the Fingerprint Reader are clean and dry. For the Fingerprint Reader, use a clean microfiber cloth to wipe off any dirt or debris.
- While scanning your finger, you shouldn't tap too quickly or move your finger around.
- If you have trouble enrolling one finger, try another.

2.11. Use the Key Fob

When using the Key Fob access, please place the Key Fob at the centre to cover the reader.

Approach the sensor with medium speed (instead of sudden motion). If it's not working, move the Key Fob away and re-try.

2.12. Lock Status

Normal Mode

This is the default mode. User must pass the fingerprint, code, fob or App access verification to unlock SDL-S1 from outside.

Passage Mode

SDL-S1 will stay unlocked for convenient free passage.

SMART DOOR
LOCKS AUSTRALIA

Programming Guide

Important:

- Enable Bluetooth on your smart phone before continuing.
- All the operations related to configuring the new smart lock should be performed within one meter radius to the lock.

1. Download the app

Use the QR code below or go to your application store and search for the 'TTLock' application.



This section shows you the basic configurations of the smart lock using the TTLock application to get you started using the smart door lock.

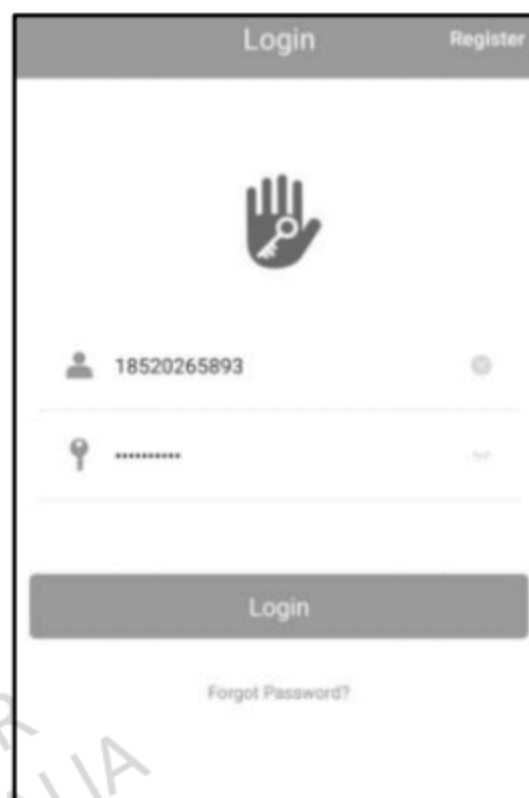
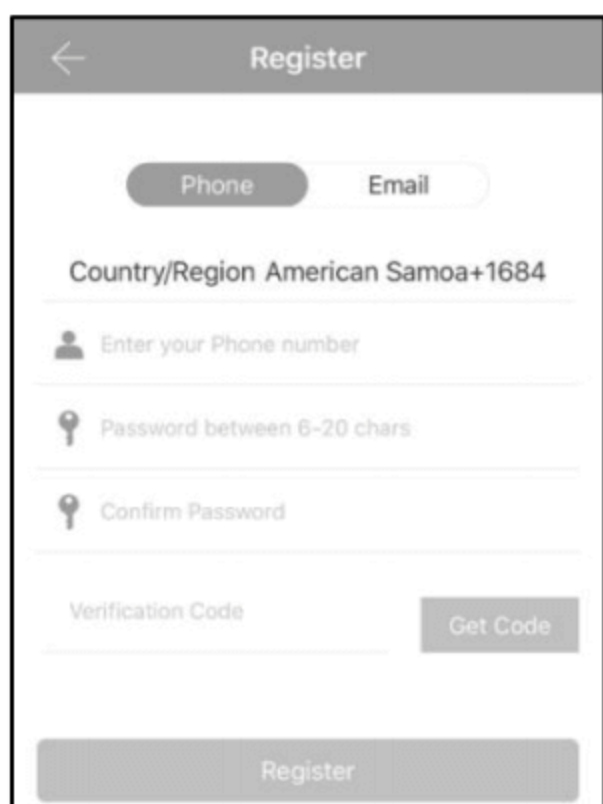
For a complete guide of the TTLock application functions, scan the QR code below.



2. Login to TTLock Account

If this is your first time using the TTLock app, you have to register a new user account. Once an account has been created, you can use the same account to manage all of your locks.

If you already have an account you can skip the registration and login to the application with your account credentials.



Registering a new account

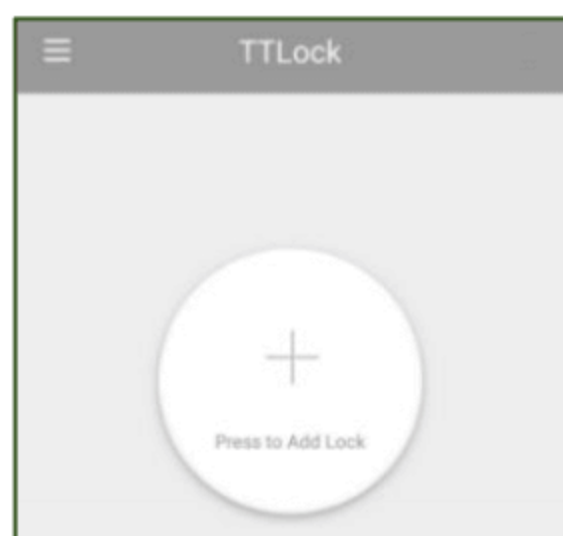
- 1.1 Open the TTLock application
- 1.2 Follow the prompts to register a new account

Login to the account

- 1.3 Login to your account with your username and password.

Login Successful

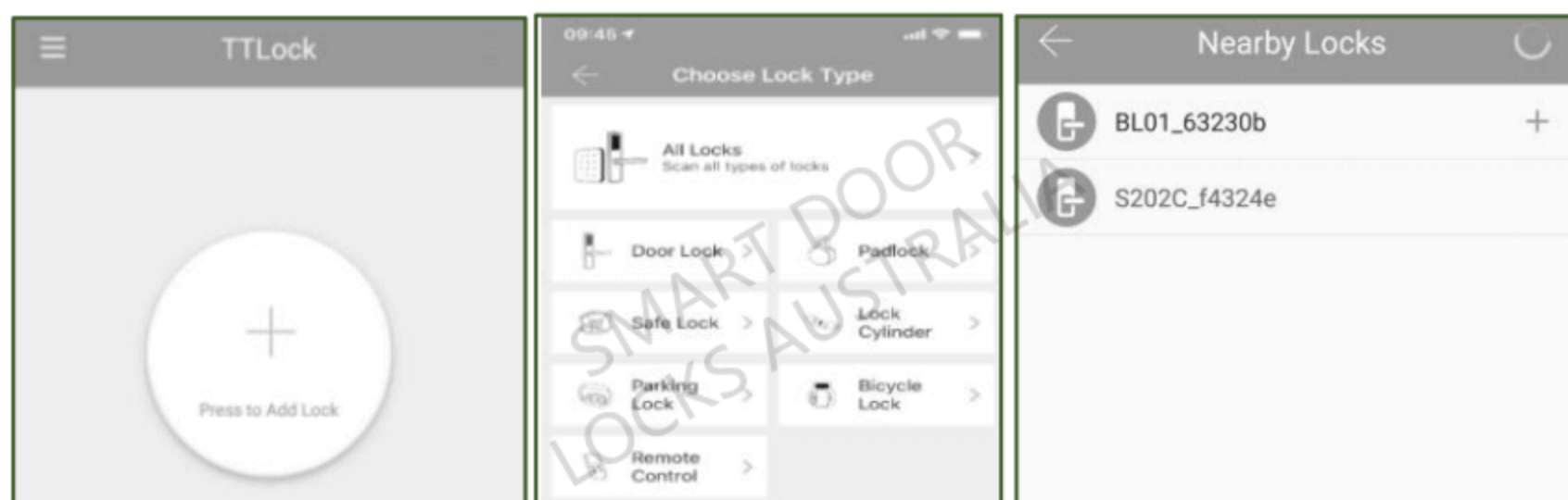
Once you are logged into the application you will be taken to the Home page of the TTLock application.



3. Adding the lock to the TLock app

Important:

- The default password is 123456.
- Once you complete this step, you will become the Bluetooth administrator of the lock. And, there can be only one **Bluetooth administrator** for a given lock.
- You can add more users with administrator privileges. But, the Bluetooth administrator has the highest permission level.
- To remove a **Bluetooth Administrator**, go to the 'Factory Reset' and follow the steps to reset the lock to the factory default.



1.4 Tap the add button

1.5 Tap the 'All Locks' button

Important: Make sure the smart lock active (or keypad is illuminated). If not, touch or slide your finger over the keypad until the keypad is illuminated.

1.6 Now the application will scan for nearby locks and once a lock is found, tap the '+' button next to the correct lock.

1.7 Enter a lock name. E.g. Front door, Room 1

1.8 If successful, you will be taken to the Home page of the new lock. Now the lock is added to your account and ready to be configured.

4. Configuring the lock access using TTLock application

Unlock using the TTLock application



1.9 Make sure you are on the Home page of the newly added lock

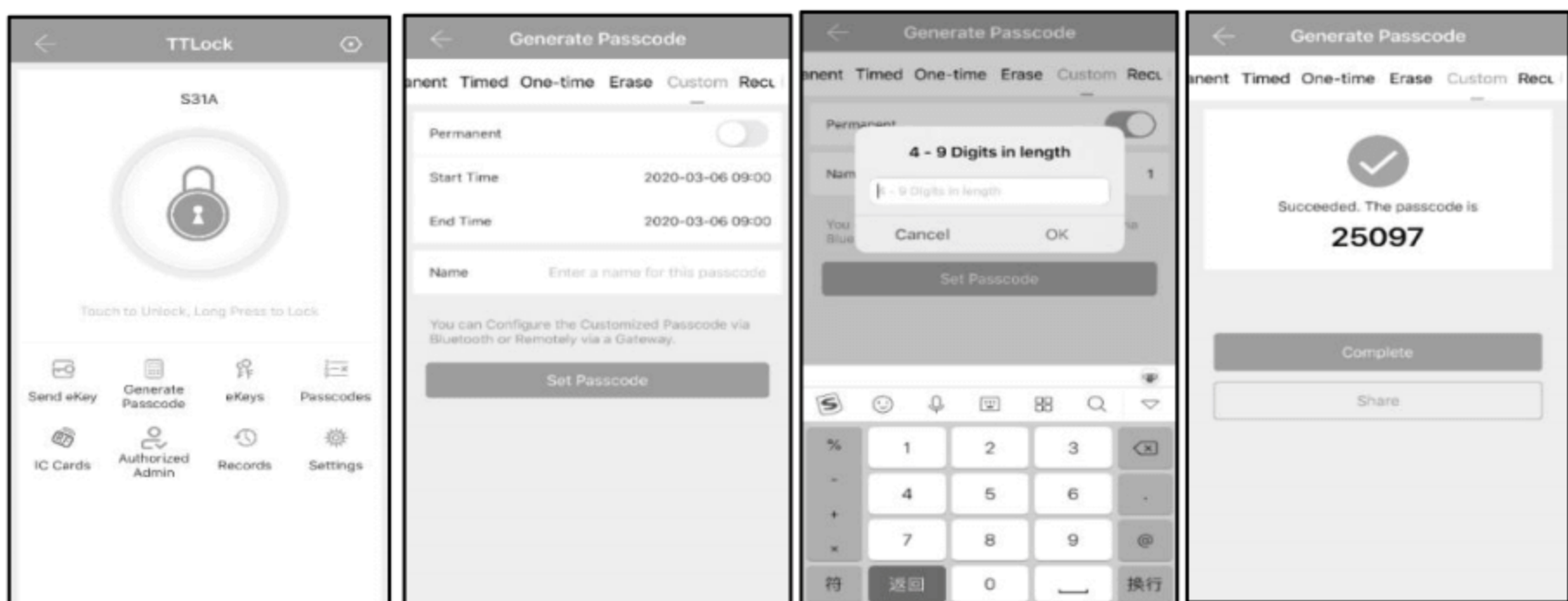
1.10 tap the 'Padlock' icon to unlock the smart lock.

1.11 If successful, you will hear the sound of the lock handle engaging and you should be able to unlock the lock by rotating the exterior handle

Setting a passcode

There are multiple types of passcodes such as permanent, time-limited, one-time, etc. You can choose to create any type based on your access requirements for each user.

You can also choose to generate a random passcode from the Application or a custom passcode based on your needs.



1. From the Home page options, tap 'Generate Passcode'

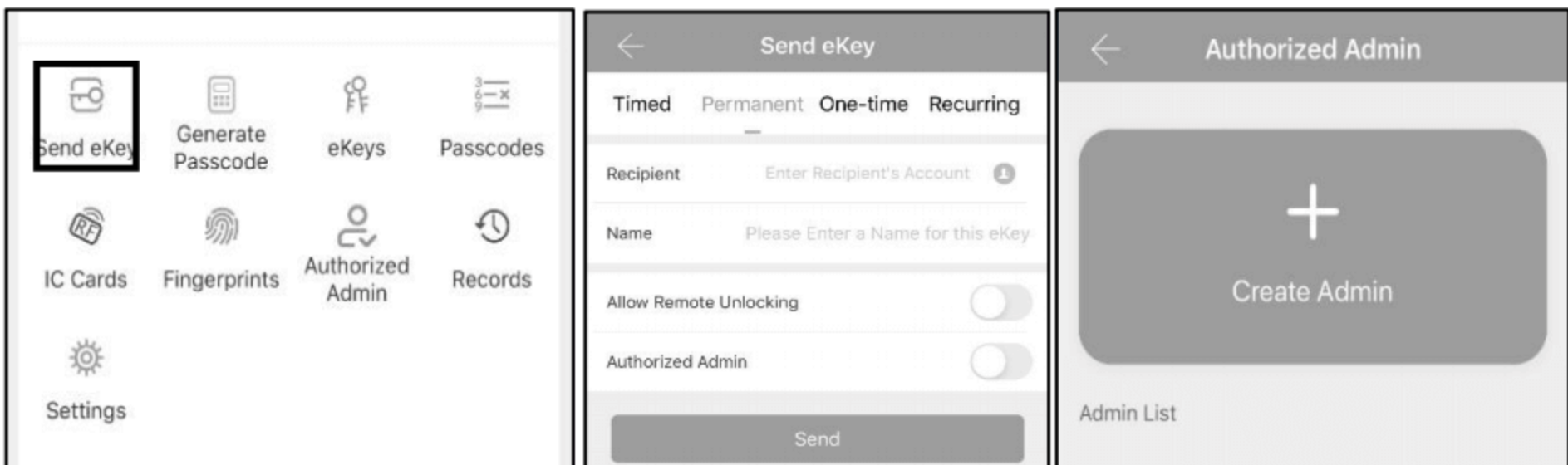
2. Choose the type of passcode you want to create by navigating the tabs.

3. Generate the new passcode

Send e-key

You can send e-keys to other users to grant application access to the lock.

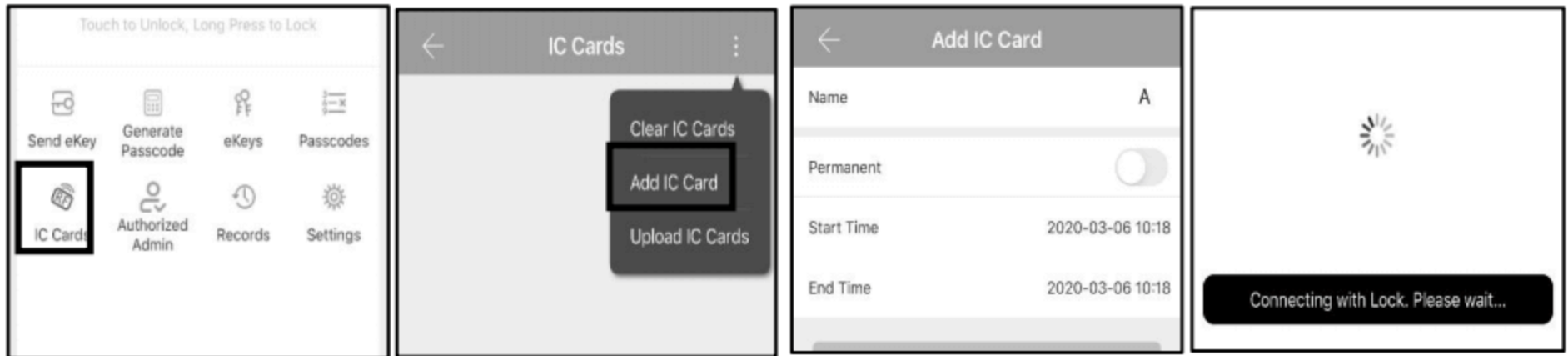
Important: The receiver must have the TTLock application installed and registered with TTLock prior to receiving the e-key.



1. Tap 'Send eKey' on the lock Home screen.
2. Select the e-key type by navigating the tabs (i.e. timed, permanent, one-time, recurring)
3. Enter the recipient's TTlock account username and name
4. You can choose to 'Allow Remote Unlocking' capability, if necessary.
5. Select 'Authorized Admin' if you want to make this user an administrator.
6. Tap 'Send'.

Register IC Card/Key Fob

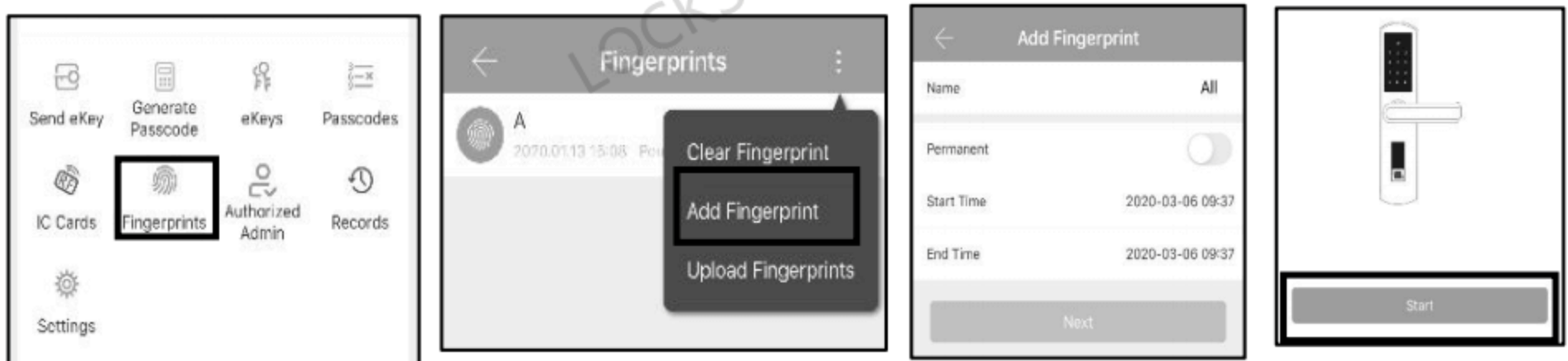
Important: This operation must be performed near the lock



1. Tap 'IC Cards' on the lock Home screen.
2. Select 'Add IC Card' from the context menu.
3. Enter IC card details.
4. Tap the IC Card to the exterior lock panel IC card reader area.

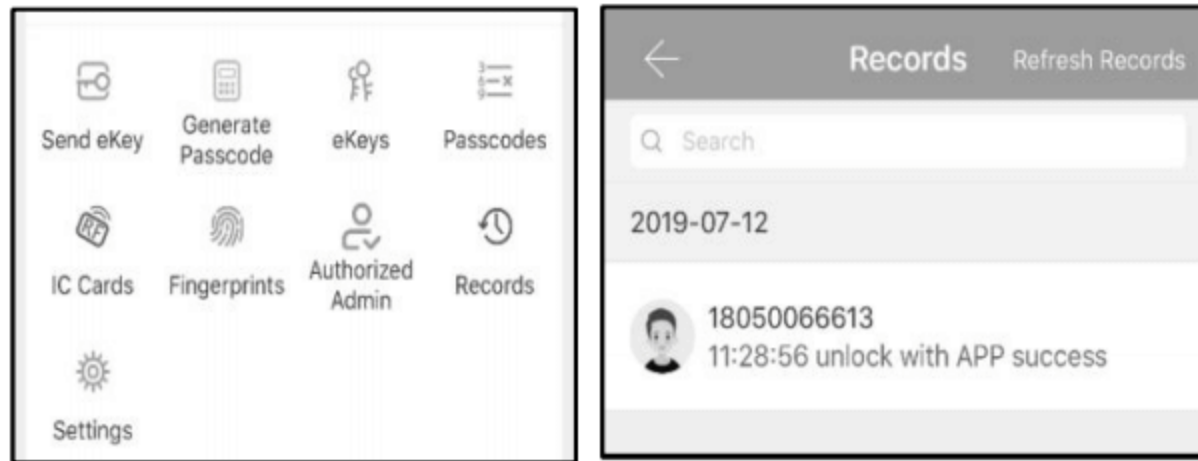
Register fingerprint

Important: This operation must be performed near the lock



1. Tap 'Fingerprints' on the lock Home screen.
2. Select 'Add fingerprint' from the context menu.
3. Enter fingerprint details.
4. Start the fingerprint scan process and follow the on-screen instructions.

Check Logs



1. Tap 'Records' from the lock Home screen

2. Configuring the Wi-Fi Gateway (optional)

Important:

- You should install the Wi-Fi Gateway only after you have successfully finished installation and set up your Smart Lock using Bluetooth.
- When configuring, your phone and the Wi-Fi gateway must be connected to the same **2.4GHz** network.
- If the process times out at any point, power off the Gateway and start the process again.

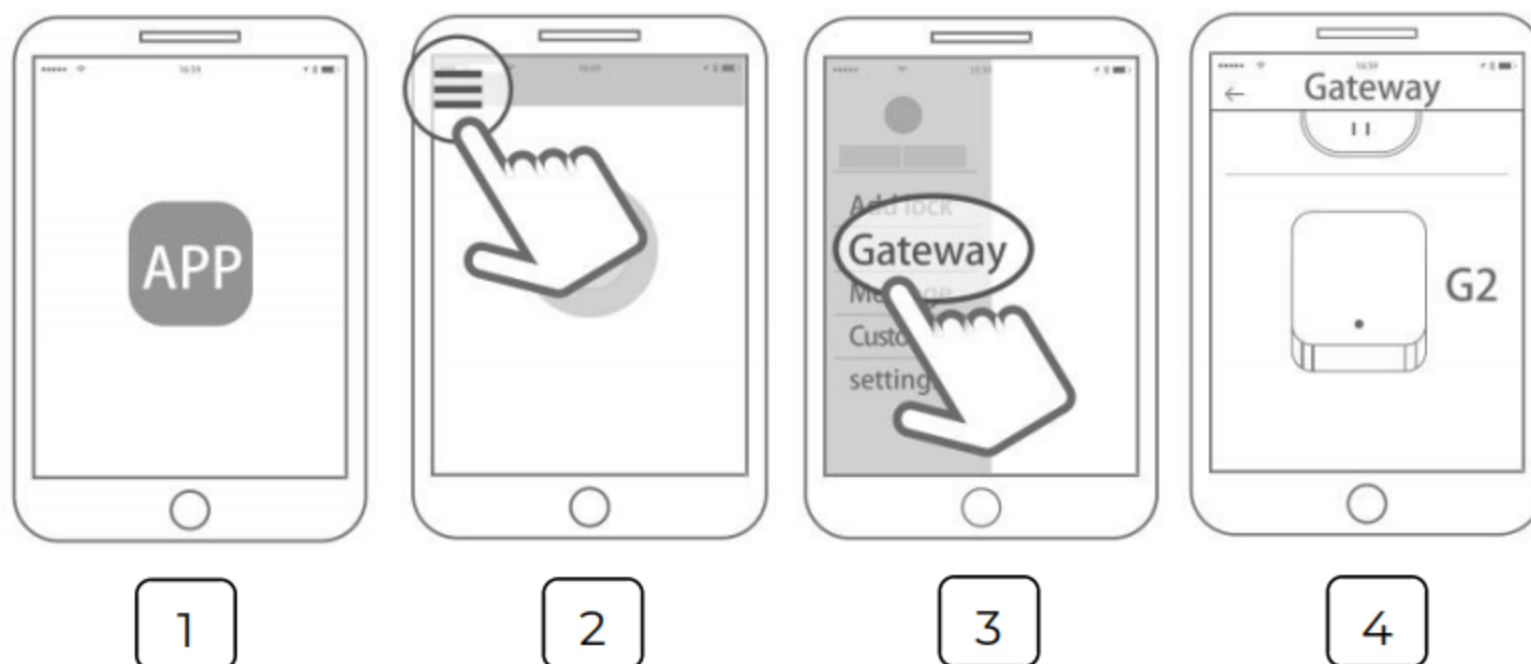
Understanding indicator light status



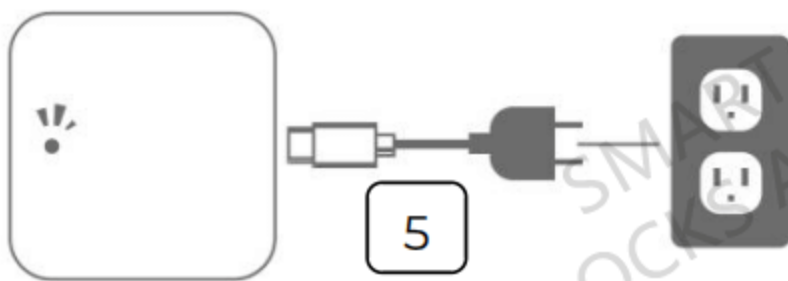
When the gateway is power on:

- Light flashes alternately with red and blue: Stand-by mode, ready for connection
- Blue light: working mode
- Red light: network failure

Paring the Wi-Fi Gateway with the TTLock App



1. Open the TTLock App.
2. Tap the '≡' button.
3. Select 'Gateway'.
4. Select 'G2'.



5. Plug the Gateway and power it on. The indicator light should flash red and blue alternatively.



6. Tap the '+' next to the correct Gateway.
7. Add Gateway
8. Select the 'WiFi' and enter the password.
9. Paring is now complete.