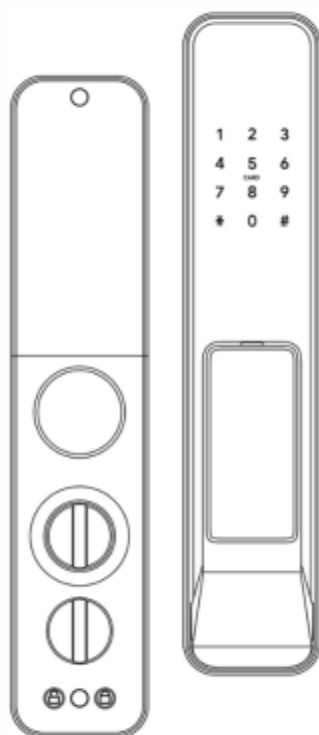


Installation Guide

Smart Door Locks Australia

SDL-PP1



V.1.0.0

Precautions for Installation

WARNING: FAILURE TO FOLLOW THESE INSTRUCTIONS COULD RESULT IN DAMAGE TO THE PRODUCT AND COULD LEAD TO FAILURE OF THE PRODUCT TO PROVIDE ACCESS

- For your safety, be careful when operating tools or heavy machinery during installation.
- For best results, avoid installing the product in a rainy, humid, or saline environment (e.g. coastal area), or a place exposed to direct sunlight for a long period of time.
- Long-term exposure to direct sunlight may cause a crack on the touch pad. Avoid exposure to direct sunlight.
- Excessive dew condensation may affect product performance.
- You must not repair this product without authorization.
- Install the product while the **door is open**. Even after completing the installation, **do not close the door** until you check if the product is operating properly.
- While installing the product, do not let it **fall to the ground**. If the product falls or is dropped during installation, you may be injured or the product may be damaged.
- Do not install the batteries until you complete the installation.

Packing List

Item	Qty	Item	Qty
Exterior Assembly	1	Mortise Screws: 25*4mm	4
Interior Assembly	1	M5 Key Cylinder Screw	1
Waterproof Rubber Plates	1	Sliding Screw: 10*5mm	1
Mortise	1	35mm Screw Cylinders	2
Strike Plate	1	M5*30mm Screw	1
Strike Box	1	M5*40mm Screw	1
Key Cylinder	1	M5*50mm Screw	
Key Fobs	3	M5*60mm Screw	1
Mechanical Keys	2	80mm Square shaft for door thickness 40mm-60mm	1
Micro-USB Cable	1	User Manual	1
Lithium battery	1		

Installation Guide

1. Preparing the door

1.1. If you are installing the SDL-PP1 smart door lock on an existing door, please remove existing door hardware and latch or bolts before installing the new lock.

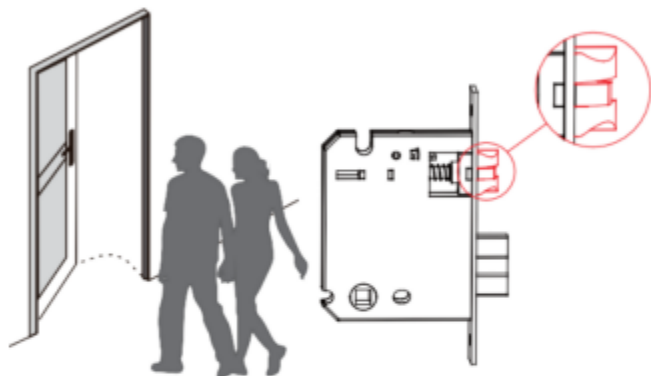
You can remove most existing door locks with a screwdriver.

If you are having problems removing your existing door lock or unsure if what you are doing can damage the existing door, please contact a locksmith or the current door hardware manufacturer for assistance.

1.2. After removing the existing lock, make sure your door is properly prepared. If you need to drill holes in your door, please use supplied templates to assist.

2. Installing the mortise

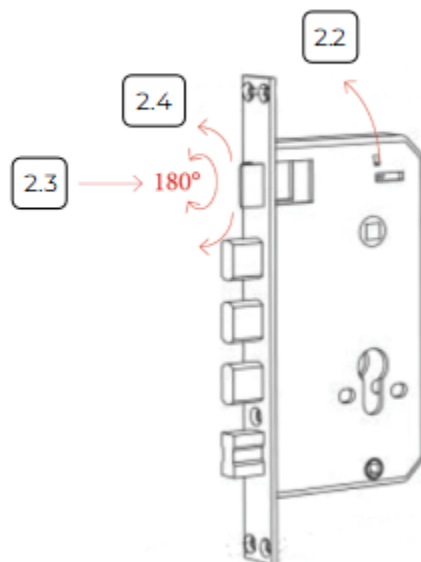
Determine the door opening direction



2.1 Based on your door closing direction, orient the slanted side of the latch throw to face towards the closing direction of the door.

You may skip this step if your door closing direction matches the slanted side of the latch throw.

Adjust the latch throw



2.2 Move the metal barrier upwards.

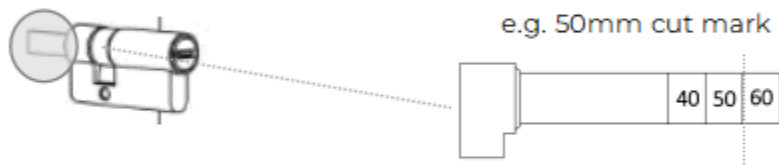
2.3 Push the latch throw into the mortise entirely.

2.4 While the latch is inside the mortise, rotate the latch 180°.

2.5 Release the latch and it will come out of the mortise.

2.6 Move the metal barrier back to the default position.

Trim the key cylinder tailpiece.

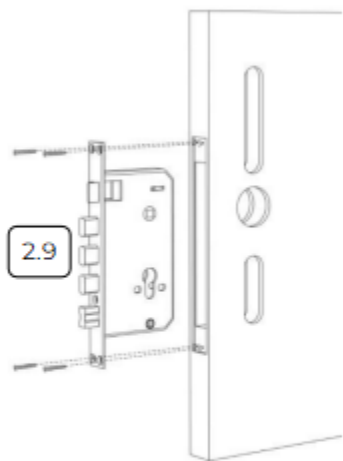


2.7 Measure your actual door thickness in millimeters. It has to be between 40-60mm. (e.g. say, 50mm)

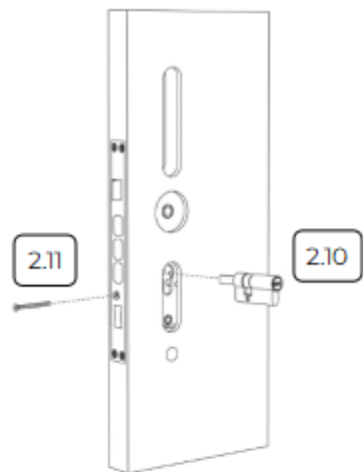
2.8 Mark the tailpiece next to the door thickness setting (see example 50mm cut mark next to the '50' marking) using a marker.

2.9 Cut it using any metal cutting tool.

Install the mortise and key cylinder



2.10 Install the mortise into the mortise pocket in the door and secure using the mortise screws.



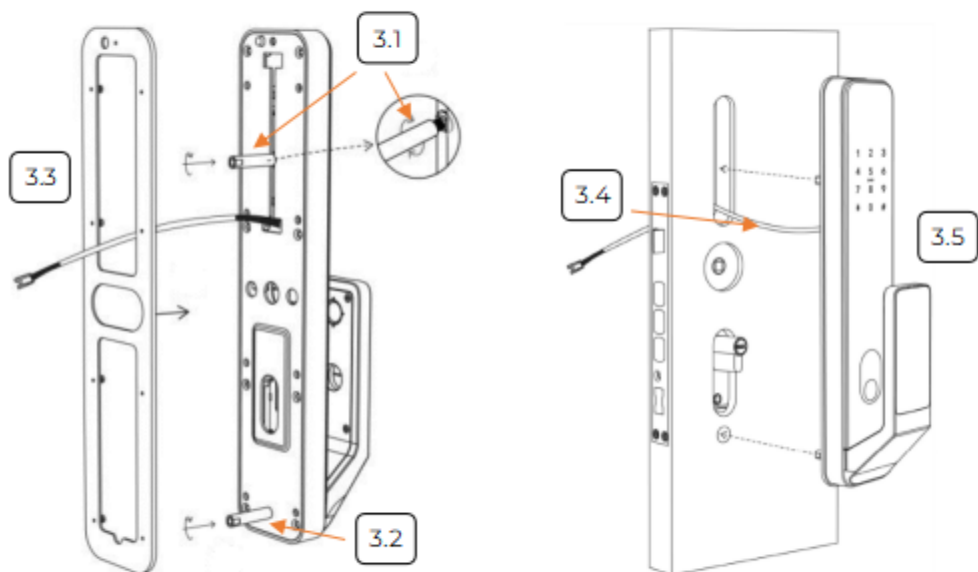
2.11 Insert the key cylinder into the mortise.

2.12 Insert the key cylinder screw horizontally through the mortise faceplate and fix it to the key cylinder to hold the cylinder in place.

3. Installing the exterior panel

Caution:

- Do not let the exterior panel **fall to the ground**.
- If the product falls or is dropped during installation, you may be injured or the product may be damaged.
- It is recommended to get another person to help keep the lock in place.



3.1 Insert the sliding screw into the sliding screw cylinder. Fix the sliding screw assembly to the handle and align to the screw hole position on the door and tighten.

3.2 Insert the bottom screw cylinder and tighten it.

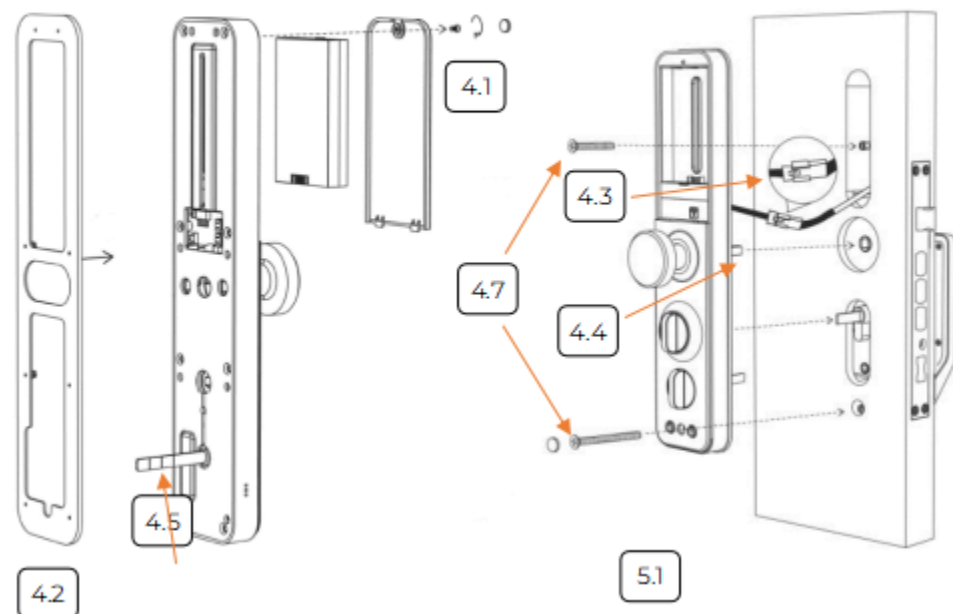
3.3 Install the rubber gasket.

3.4 Push the connection cable through the door.

3.5 Install the exterior lock as shown by aligning the lock straight and passing the attached screw cylinders through the cut-out holes in the door.

3.6 Secure the external handle to the door using a small double-sided tape or hold it until the internal handle is fixed.

4. Installing the Interior handle



4.1 Remove the battery cover and keep it aside.

4.2 Install the rubber gasket.

4.3 Plug the cable from the exterior lock and attach it to the interior lock connector. Make sure you match the direction of the plug correctly.

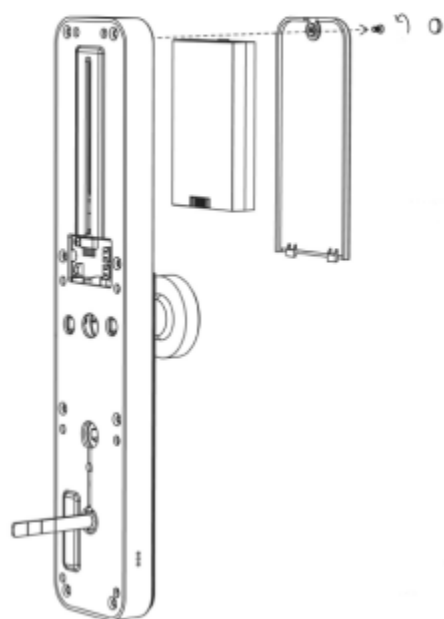
4.4 Install the square spindle into the spindle hole where the handle is.

4.5 Turn the tailpiece at the bottom of the interior lock to the vertical position.

4.6 Align the spindle and the bottom tailpiece from the interior lock to the holes in the mortise. Also, align the tailpiece in the key cylinder to the hole in the interior lock. Gently push the excess cable into the door cavity and place the lock flush against the door.

4.7 Secure the lock to the door using the correct size screws supplied. (There are three M5 screws supplied to support multiple door thicknesses. You will only need two screws for the installation. Use the longer screw on the bottom and the shorter screw on the top.)

5. Installing batteries

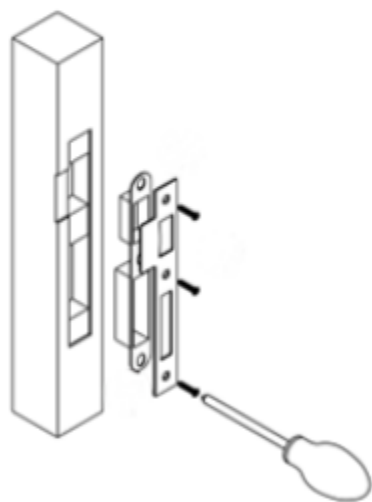


5.1 Insert the rechargeable battery into the battery chamber, lining up the pins.

5.2 Secure the battery cover.

5.3 Cover the screw holes at the top and bottom of the interior lock with the small round screw caps provided.

6. Installing the door strike



6.1 Make sure the slanted side of the mortise latch is closing against the slanted part of the strike plate before fixing it on to door frame.

6.2 Fix the door strike to the door frame.

You're all done!

You have completed the physical lock installation and now you're ready to get the lock set up.

Power and Test

Important:

- Make sure you perform these operations **while the door is open**.
- **Do not close the door** until you have completed the programming and made sure the product is operating properly.

1. Testing the physical installation

1. Make sure the exterior panel and interior panel are installed parallel to the edge of the door.
2. Make sure the distance from the floor to the bottom of the exterior panel and interior handle is the same (i.e. both exterior and interior panels are vertically aligned)

2. Checking your door direction

While facing the door from the *secure* side of the door (i.e. from outside of the house for a front door), if the door hinges are on the right side of the door, you have a Right Swing Door.

If the hinges are on the left side of the door, you have a Left Swing Door.

Record your door direction here

Right Swing Door

Left Swing Door

3. Activating the lock

1. Make sure the rechargeable battery is charged and installed.
2. Touch or slide your finger over the keypad. This should turn on the keypad and should provide voice feedback.

If all the steps above are successful, you can begin the basic testing of SDL-PP1. Otherwise, please re-install SDL-PP1 carefully as shown in the 'Installation Guide' section.

4. Testing Lock and Unlock

Important:

- By default, the SDL-PP1 direction setting **may not** match your actual door direction and it is expected. We will configure the correct door direction in the **'Programming Guide'** section.
- **If** the actual door direction and the default SDL-PP1 direction doesn't match, expect the lock and unlock functions to be **reversed**.
- This is a very basic testing to see if the lock electronics are working as expected. The final testing can only be done after completing the SDL-PP1 Programming Guide section.

From outside

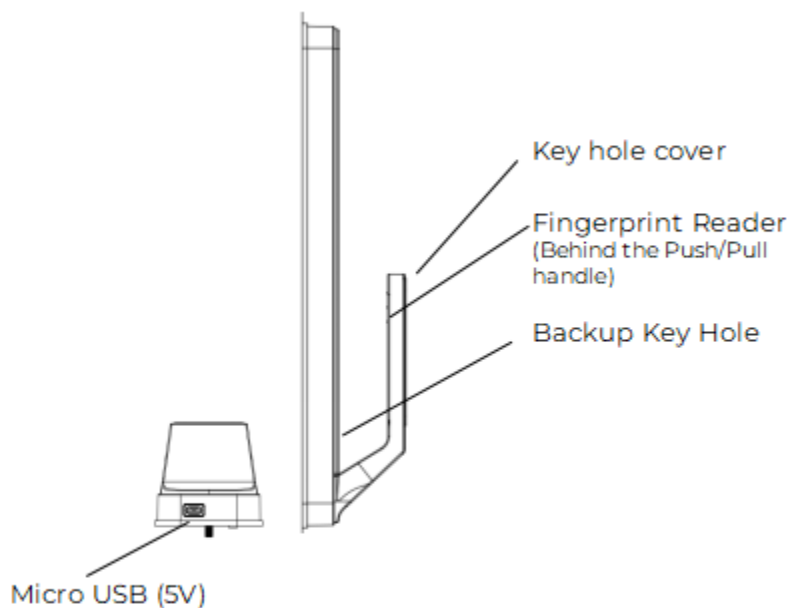
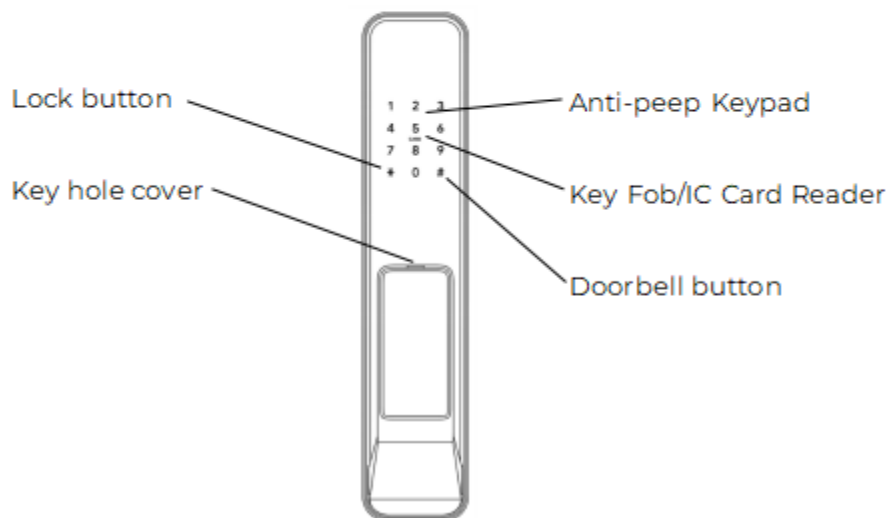
1. Place a finger on the Anti-peep Keypad to activate SDL-PP1.
1. Press and hold the Padlock icon on the Keypad and the lock should say 'Locked'. The deadbolt should come out if the door direction is correct. Otherwise, the latch should retract (i.e reversed functionality)
2. Enter the default passcode '123456#' and the lock should say 'Unlocked'. The deadbolt should retract if the door direction is correct. Otherwise, the deadbolt should come out (i.e reversed functionality)

If all the steps above are successful, you can begin the programming of SDL-PP1. Otherwise, please re-install SDL-PP1 carefully as shown in the 'Installation Guide' section.

User Guide

1. Product Overview

1.1. Exterior



Anti-peep Keypad

Used to enter the code and unlock from the outside.

Fingerprint Reader

Used to verify your finger and unlock from the outside.

Key Fob/IC Card Reader

Used to verify your key fob and unlock from the outside.

Micro USB (5V)

Used to connect a power bank to activate the lock when it runs out of battery.

Backup Key Hole

Used to insert the key to unlock.

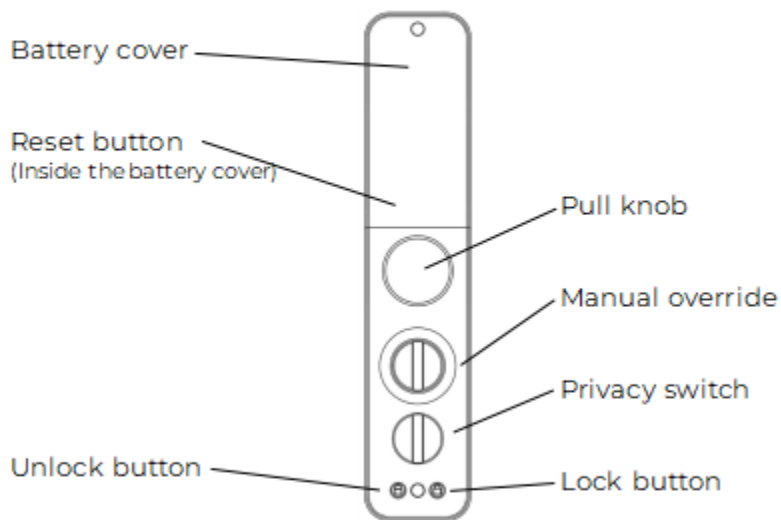
Lock button

Used to lock from outside

Doorbell button

Rings the doorbell

1.2. Interior



Battery Cover

Used to cover the batteries.

Reset Button (inside the battery cover)

Used to reset SDL-PP1 to factory default settings.

Manual Override

Used to lock & unlock the SDL-PP1 manually.

Pull Knob

Used to pull open the door from inside. Optionally, used to lock & unlock SDL-PP1 manually.

Privacy Switch

Used to enable privacy lockout when necessary.

Lock Button

Used to lock the SDL-PP1 from inside.

Unlock Button

Used to unlock the SDL-PP1 from inside.

2. Basic operation

2.1. Cleaning the Keypad and Finger Reader

Use a microfiber cloth and wipe across the Anti-peep Keypad, Fingerprint Reader and Key Fob Reader.

2.2. Lock Activation

Place a finger on the Fingerprint Reader, touch the Anti-peep keypad with the back of your hand or fingers, or present the Fob on the Key Fob Reader.

2.3. Unlock from outside

Unlock by Code

2. Place a finger on the Anti-peep Keypad to activate SDL-PP1.
3. Input the 4-8 digit User Code from a registered user and press # to unlock SDL-PP1.
4. Pull the handle towards you to open the door.

Unlock by Fingerprint

1. Press the finger from a registered user on the middle of the Fingerprint Reader at the rear of the handle to unlock SDL-PP1.
2. Pull the handle towards you to open the door.

Unlock by Key Fob

1. Present the Key Fob from a registered user on the Key Fob Reader in the centre of the keypad to unlock SDL-PP1.
2. Pull the handle towards you to open the door.

Unlock by Smartphone

1. Press the Unlock Button in the TTLock App to unlock SDL-PP1.
2. Pull the handle towards you to open the door.

2.4. Unlock from inside

Automatic Unlock

1. Press and hold the Unlock Button to unlock SDL-PP1.

Manual Unlock

1. Turn the pull knob multiple rotations until all the bolts and the latch is unlocked.
2. Or, press the Manual override knob and turn it to unlock SDL-PP1.

2.5. Lock from outside

Lock Latch

The latch will automatically lock after a few seconds.

Lock Bolt

When Auto-Lock is off (default):

1. Place a finger on the Anti-peep Keypad to activate SDL-PP1.
 2. Press and hold the * (or Padlock icon) key for 3 seconds.
- Or Tap and hold the 'Padlock' icon on the TTLock App.

When Auto-Lock is on:

SDL-PP1 will lock automatically after the last unlock. The Auto-Lock time duration can be configured using the TTLock app.

2.6. Lock from inside

Lock Latch

The latch will automatically lock after a few seconds.

Lock Bolt

When Auto-Lock is off (default):

1. Press and hold the Lock Button to lock SDL-PP1.

Or Tap the 'Padlock' icon on the TTLock App.

When Auto-Lock is on:

SDL-PP1 will lock automatically after the last unlock. The Auto-Lock time duration can be configured using the TTLock app.

2.7. Privacy switch

1. Turn the 'Privacy switch'.

When the privacy lockout mode is enabled, the door cannot be opened from outside.

2.8. Doorbell function

1. Press the Doorbell button.

2.9. Factory Reset

Important: All data will be erased if you reset SDL-PP1 to factory default settings.



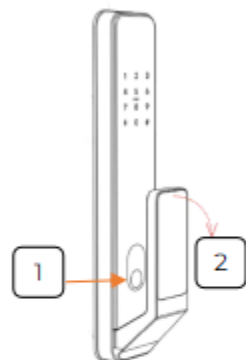
1. Open the battery cover.

2. Use a paper clip and press the "Reset" button for 5 seconds.

3. Press "000#" to complete the reset process.

2.10. Backup key

1. Press the bottom of the cylinder cover and pry the cover off to locate the keyhole.
2. Take off the handle cover by pulling it down and outwards from the top of the handle cover.
3. Insert the backup key through the handle into the keyhole and rotate to unlock SDL-PP1.
4. Pull the handle towards you to open the door.



2.11. 5V Emergency Power

Note: 5V Emergency Power is only for temporary power or not being able to charge the lock.

1. Locate the USB port at the bottom of SDL-PP1's Exterior Assembly.
2. Use a regular 5V power bank to power.

2.12. Anti-peep Keypad

The lock supports 4-8 digit key codes. You can choose to enter any 16-digit code, as long as a correct code is included within the sequence of numbers you have entered.

Example User Code: **1234**

Example Valid Keypad Input: 045**1234**794

2.13. Finger Placement

- Your finger should cover the Reader completely with some pressure, touching the surrounding metal ring.
- Make sure that your finger and the Fingerprint Reader are clean and dry. For the Fingerprint Reader, use a clean microfiber cloth to wipe off any dirt or debris.
- While scanning your finger, you shouldn't tap too quickly or move your finger around.
- If you have trouble enrolling one finger, try another.

2.14. Use the Key Fob

When using the Key Fob access, please place the Key Fob at the centre to cover the reader.

Approach the sensor with medium speed (instead of sudden motion). If it's not working, move the Key Fob away and re-try.

2.15. Lock Modes

Normal Mode

This is the default mode. The User must pass the fingerprint, code, fob or App access verification to unlock SDL-PP1 from outside.

Privacy Mode

SDL-PP1 will not unlock from outside. The User must turn off privacy mode (see Privacy switch) to unlock the door.

Passage Mode (Not supported)

SDL-PP1 does not support free passage mode.

Programming Guide

Important:

- Enable Bluetooth on your smart phone before continuing.
- All the operations related to configuring the new smart lock should be performed within one meter radius to the lock.

1. Download the app

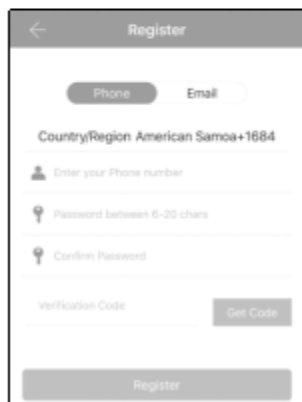
Scan to download the APP or search '**TTLock**' on your app store.



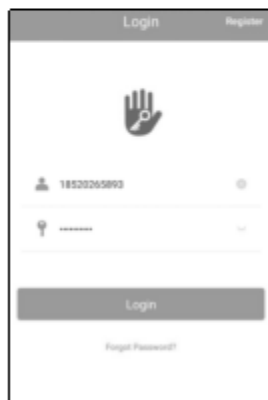
2. Login to TTLock Account

If this is your first time using the TTLock app, you have to register a new user account. Once an account has been created, you can use the same account to manage all of your locks.

If you already have an account you can skip the registration and login to the application with your account credentials.



The screenshot shows the 'Register' screen. At the top, there is a back arrow and the title 'Register'. Below the title are two radio buttons for 'Phone' (selected) and 'Email'. A dropdown menu shows 'Country/Region American Samoa+1684'. There are three input fields: 'Enter your Phone number', 'Password between 6-20 chars', and 'Confirm Password'. Below these is a 'Verification Code' field and a 'Get Code' button. At the bottom is a large 'Register' button.



The screenshot shows the 'Login' screen. At the top, there is a back arrow and the title 'Login' with a 'Register' link. Below the title is a hand icon with a keyhole. There are two input fields: a username field containing '1852026892' and a password field with masked characters. Below these is a 'Login' button and a 'Forgot Password?' link.

Registering a new account

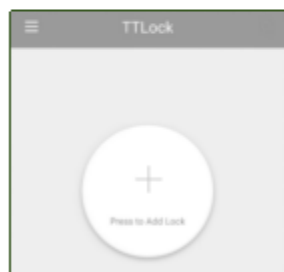
- 1.1 Open the TTLock application
- 1.2 Follow the prompts to register a new account

Login to the account

- 1.3 Login to your account with your username and password.

Login Successful

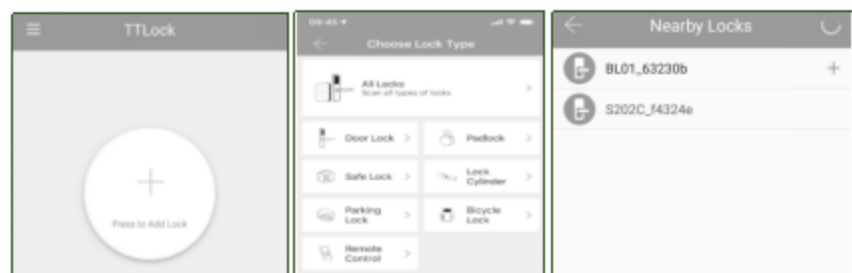
Once you are logged into the application you will be taken to the Home page of the TTLock application.



3. Adding the lock to the TLock app

Important:

- The default password is 123456.
- Once you complete this step, you will become the Bluetooth administrator of the lock. And, there can be only one **Bluetooth administrator** for a given lock.
- You can add more users with administrator privileges. But, the Bluetooth administrator has the highest permission level.
- To remove a **Bluetooth Administrator**, go to the 'Factory Reset' and follow the steps to reset the lock to the factory default.



1.4 Tap the add button

1.5 Tap the 'All Locks' button

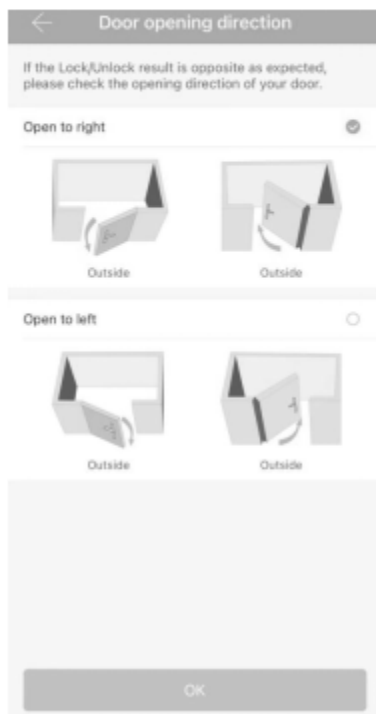
Important: Make sure the smart lock active (or keypad is illuminated). If not, touch or slide your finger over the keypad until the keypad is illuminated.

1.6 Now the application will scan for nearby locks and once a lock is found, tap the '+' button next to the correct lock.

1.7 Enter a lock name. E.g. Front door, Room 1

1.8 If successful, you will be taken to the 'Door opening direction setting'.

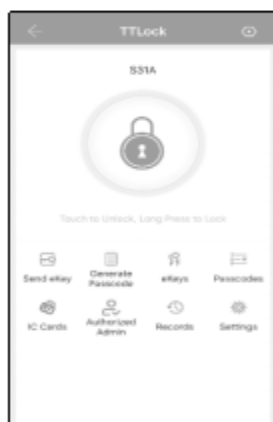
4. Configuring the opening door direction



1. Set the correct door opening direction based on the diagram and the instructions in the 'Checking your door direction' section. (see 'Power and Test' -> 'Checking your door direction' section above)
2. Tap 'OK'.
3. Now you can repeat the instructions in the 'Testing Lock and Unlock' section to test the functionality. (see 'Power and Test' -> 'Testing Lock and Unlock' section above)
4. If successful, you can continue the SDL-PP1 configuration.

5. Configuring the lock access using TTLock application

Unlock using the TTLock application

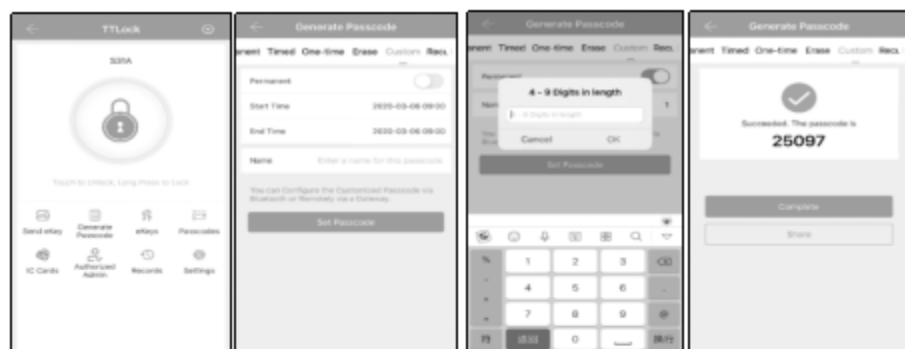


1.9 Make sure you are on the Home page of the newly added lock

1.10 tap the 'Padlock' icon to unlock the smart lock.

1.11 If successful, it should unlock the locking mechanism.

Setting a passcode



There are multiple types of passcodes such as permanent, time-limited, one-time, etc. You can choose to create any type based on your access requirements for each user.

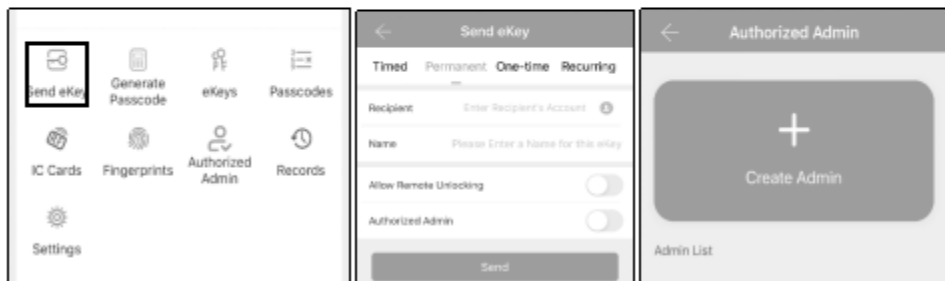
You can also choose to generate a random passcode from the Application or a custom passcode based on your needs.

1. From the Home page options, tap 'Generate Passcode'
2. Choose the type of passcode you want to create by navigating the tabs.
3. Generate the new passcode

Send e-key

You can send e-keys to other users to grant application access to the lock.

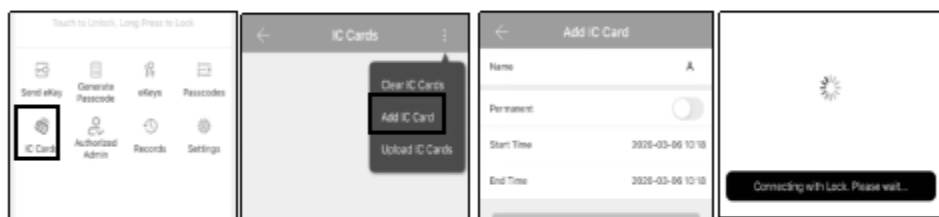
Important: The receiver must have the TTLock application installed and registered with TTLock prior to receiving the e-key.



5. Tap 'Send eKey' on the lock Home screen.
6. Select the e-key type by navigating the tabs (i.e. timed, permanent, one-time, recurring)
7. Enter the recipient's TTlock account username and name
8. You can choose to 'Allow Remote Unlocking' capability, if necessary.
9. Select 'Authorized Admin' if you want to make this user an administrator.
10. Tap 'Send'.

Register IC Card/Key Fob

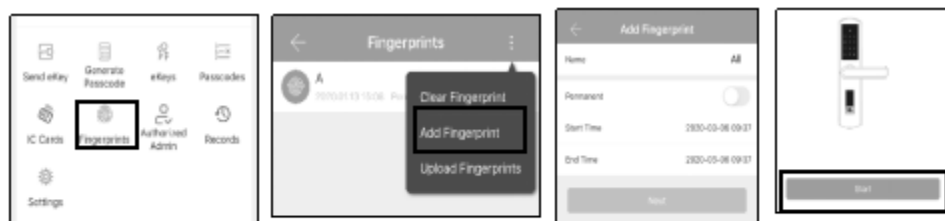
Important: This operation must be performed near the lock



4. Tap 'IC Cards' on the lock Home screen.
5. Select 'Add IC Card' from the context menu.
6. Enter IC card details.
7. Tap the IC Card to the exterior lock panel IC card reader area.

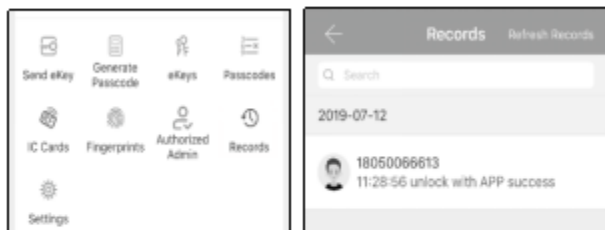
Register fingerprint

Important: This operation must be performed near the lock



1. Tap 'Fingerprints' on the lock Home screen.
2. Select 'Add fingerprint' from the context menu.
3. Enter fingerprint details.
4. Start the fingerprint scan process and follow the on-screen instructions.

Check Logs



1. Tap 'Records' from the lock Home screen

2. Configuring the Wi-Fi Gateway (optional)

Important:

- You should install the Wi-Fi Gateway only after you have successfully finished installation and set up your Smart Lock using Bluetooth.
- When configuring, your phone and the Wi-Fi gateway must be connected to the same **2.4GHz** network.
- If the process times out at any point, power off the Gateway and start the process again.

Understanding indicator light status



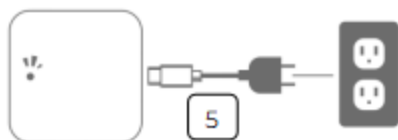
When the gateway is power on:

- Light flashes alternately with red and blue: Stand-by mode, ready for connection
- Blue light: working mode
- Red light: network failure

Pairing the Wi-Fi Gateway with the TLock App



1. Open the TLock App.
2. Tap the '≡' button.
3. Select 'Gateway'.
4. Select 'G2'.



5. Plug the Gateway and power it on. The indicator light should flash red and blue alternatively.



6. Tap the '+' next to the correct Gateway.
7. Add Gateway
8. Select 'WiFi' and enter the password.
9. Pairing is now complete.