

# FlexBeam™ FLX Series

## LED Petroleum Canopy Light

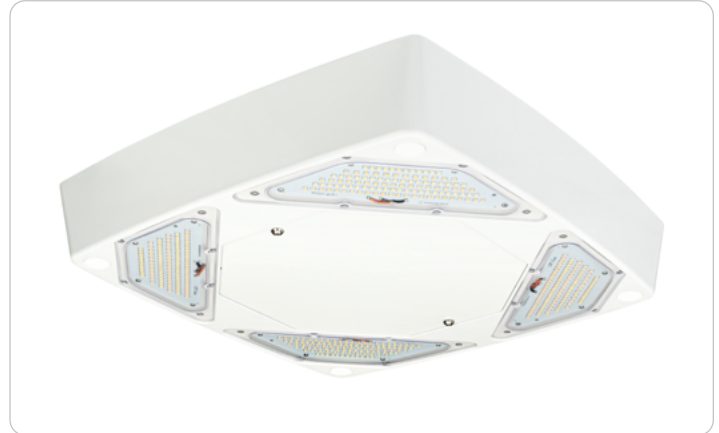
Phone: (800) 363-1075

jarvislighting.com | info@jarvislighting.com

1054 National Parkway, Schaumburg, IL 60173

### Product Highlights

- ▶ Optional directional High Output Module can be rotated to aim light wherever it is needed
- ▶ Available with flat lens, drop lens, and directional optics
- ▶ Adjustable color temperature and power levels
- ▶ 10 Year Warranty
- ▶ Compatible with JarvisLink™ networked lighting control system
- ▶ Produces up to 22,600 lumens



FLEXBEAM FLX SERIES	COMPETITORS' PRODUCTS
Can be mounted to a canopy using a positive-pressure ring lock, self-drilling screws, or both.	Many competitors do not offer a ring lock.
Rotatable Directional High Output Modules allow light to be aimed directly at vertical surfaces of dispensers or to light up areas around the canopy.	No other competitor offers a rotatable, directional optic.
High Output Modules available as optional accessory.	No other competitor offers a separate high output module.
Each LED array is independently sealed and features a pressure-releasing, hydrophobic valve.	Competitors do not seal each LED array individually.



### Ordering Guide

Example: FLX-10ML20-30/40/50K-YY-UV-DTO-WHT

PRODUCT FAMILY	LUMEN OUTPUT / WATTAGE	CCT	CUSTOMIZATION	INPUT VOLTAGE	DIMMING / CONTROL	COLOR
<b>FLX</b> Petroleum Canopy Light	<b>10ML20-</b> 22,000 max lumens 150W (Selectable Lumen Output)  Selectable to 16,500 lumens / 112 W and 12,000 lumens / 75 W	<b>35K/40K/50K -</b> 3500K/4000K/5000K Selectable CCT	<b>YY - YY</b> is standard	<b>UV - 120-277V</b>  <b>HV - 277-480V</b>	<b>DTO</b> - Standard option includes internal 12V aux and DTO wiring  <b>Z10R</b> - Includes Z10 connector for Networked Lighting Controls and Other Sensors	<b>WHT</b> - White  <b>BRZ</b> - Dark Bronze

## Additional Field Installed Options and Accessories

CATALOG #	DESCRIPTION
FLX-A-OCT-AIML	High Output Module with Directional Optics
FLX-A-OCT-DRPL	High Output Module with Drop Lens
FLX-A-OCT-FL	High Output Module with Full Cutoff Optics
JL-Z10-SPM-EXT-WHT-V1	JarvisLink* Sensor - White Finish (Requires Z10 option)
JL-Z10-WCM-WHT-V1	JarvisLink* Wireless Control Module - White Finish (Requires Z10 option)
S-Z10-SPM-EXT-WHT-V1 Z10	Simple, non-networked Photo and Motion Sensor (Requires A315-Z10-V1 remote)
A315-Z10-V1	Remote for S-Z10-SPM-EXT-WHT-V1 Z10
FLX-A-SSBOX	Surface-mount box kit for FLX Series constructed from Stainless Steel
SPD-110	10kV Surge Protector for 120-277V applications - Protects against surges according to UL1449 and IEEE C62.41.2 C
SPD-110-HV	10kV Surge Protector for 277-480V applications - Protects against surges according to UL1449 and IEEE C62.41.2 C
ACR225F	22.5" square adapter panel to mount FLX Series to existing 2x2 box lights
ACR205F	20.5" square adapter panel to mount FLX Series to existing 2x2 box lights
ACC235F	Canopy Cover Panel (also known as a 'beauty plate') for covering canopy stains when a 2x2 is being removed and an FLX FlexBeam fixture is being installed in the same location
ACB235	Canopy Blank-Out Panel (for covering hole where old 2x2 fixture used to be)
FLX-A-BLLBOX	Electrical Box for making connections to FLX Series
* JarvisLink Networked Lighting Control System requires prior training with Jarvis representative	

## Electrical

- ▶ Input Voltage: 110-277V 50/60Hz or 277-480V 50/60Hz
- ▶ Power Factor: >.95 at full load
- ▶ Total Harmonic Distortion: <13% full load
- ▶ Operating Temperature Range: -25°C to 45°C Ambient (-14°F to 113°F)
- ▶ Power supply includes internal 6kV surge protection. Additional 10kV surge protection can be added as a field-installed option.

## Controls and Dimming

- ▶ 0-10V dim-to-off dimming leads are default on all models. The power supply is capable of providing 12VDC auxiliary output power for a variety of accessories.
- ▶ The FLX Series is compatible with the Jarvis Link networked lighting control system when ordered as the "Z10R" variant which includes a factory-installed Z10 receptacle. This system allows the lights to communicate with each other via Bluetooth® signal. The system is capable of grouping, controlling and dimming lights through a number of methods including motion sensors, photo sensors, schedules, manual Bluetooth switches and more.
- ▶ The FLX Series is compatible with many other photosensors and motion sensor systems. Contact a Jarvis representative for more information.

## Construction and Materials

- ▶ Housing is constructed from die-cast aluminum and finished with a corrosion resistant powder coat finish that is applied directly to housing material and will not crack or peel. Default color is white. Bronze and custom colors are available.
- ▶ Lens construction is impact-resistant UV-resistant polycarbonate.
- ▶ Luminaire's construction contains zero mercury.
- ▶ Fasteners are stainless-steel and will not rust or create rust-streaks.
- ▶ Patent pending design.

## Optical System

- ▶ The FlexBeam FLX Series features impact-resistant polycarbonate optics which protect LEDs that are mounted onto metal-core circuit boards. Polycarbonate material is both impact and UV resistant. Metal-core circuit boards provide superior thermal management.
- ▶ Optional High Output Modules are available and sold separately. High output modules spread the existing fixture's LED power across a larger number of LEDs, increasing the efficiency and efficacy of the entire light fixture. High Output Modules are available with three different optical distributions - full cutoff, drop lens and directional.
- ▶ LED color temperature is selectable and can be set to 5000K, 4000K or 3500K during installation.

## Regulatory and Voluntary Qualifications

- ▶ UL listed to UL 1598 and UL 8750 for both US and Canada
- ▶ State of California Title 24 Compliant when installed in accordance with local requirements
- ▶ Rated for Wet Locations
- ▶ Rated to IP65

## Warranty and Lifetime

- ▶ FLX Series carries a 10-year limited warranty. Contact Jarvis representative for details.
- ▶ Projected LED lifetime exceeds 50,000 hours under most operating conditions. Lifetime projections are calculated using data including LM-79, LM-80 and TM-21 calculations. Contact Jarvis representative for details.

## Installation

- ▶ FLX Series installs into a standard gas station canopy deck pan using a ring collar design which requires only one canopy penetration. Additional self-drilling screws can be used for added rigidity.
- ▶ Installs in a 12" or 16" deck pan. Surface mount boxes are available. Lumen output and CCT can be set during installation via 2 dipswitches located next to the LED driver.

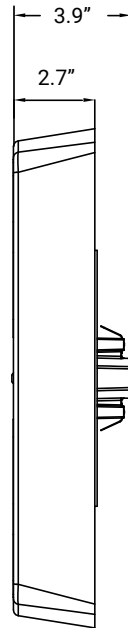
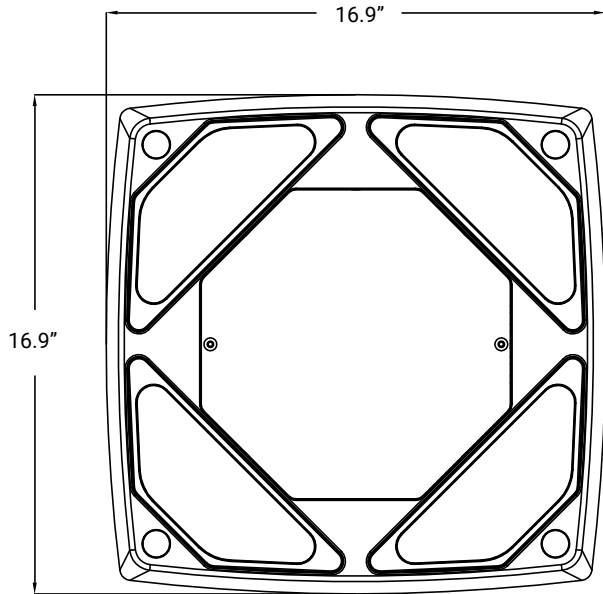
## Photometrics

Photometric information, including LM-79 reports and .IES files are available for most models at [www.jarvislighting.com](http://www.jarvislighting.com). Site photometrics and lighting layouts are available. Contact a Jarvis representative.

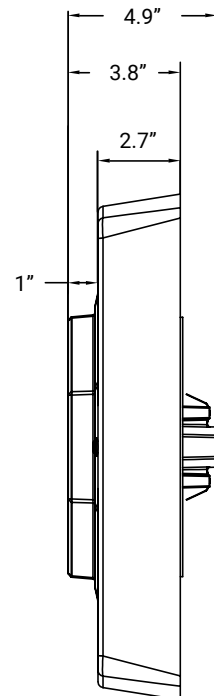
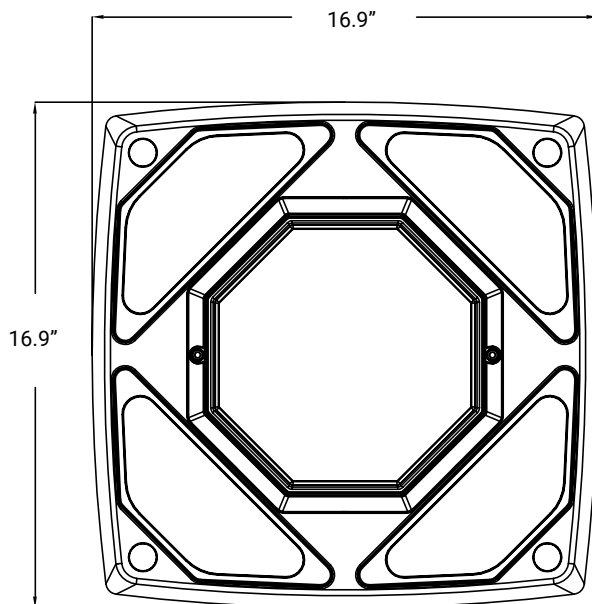
## Product Weight

CATALOG #	WEIGHT
FlexBeam FLX Fixture (fixture only, no High Output Modules)	14.9lbs
High Output Modules (all variants)	2.4lbs or less
Z10 Sensors (all variants)	0.2lbs or less

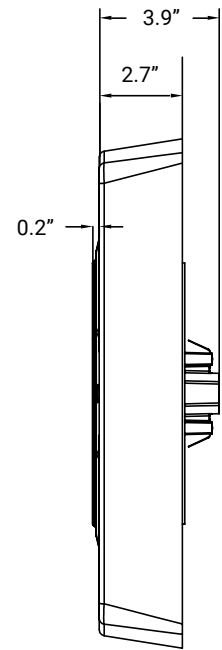
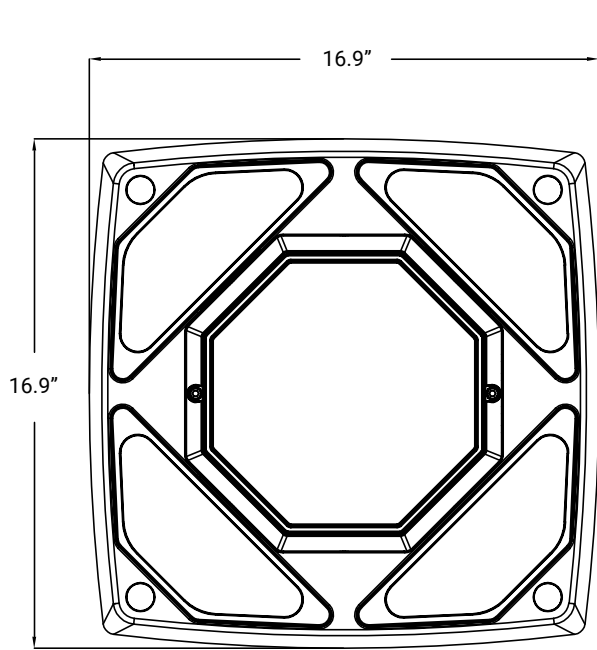
# Dimensions



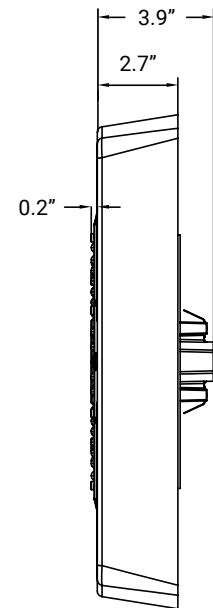
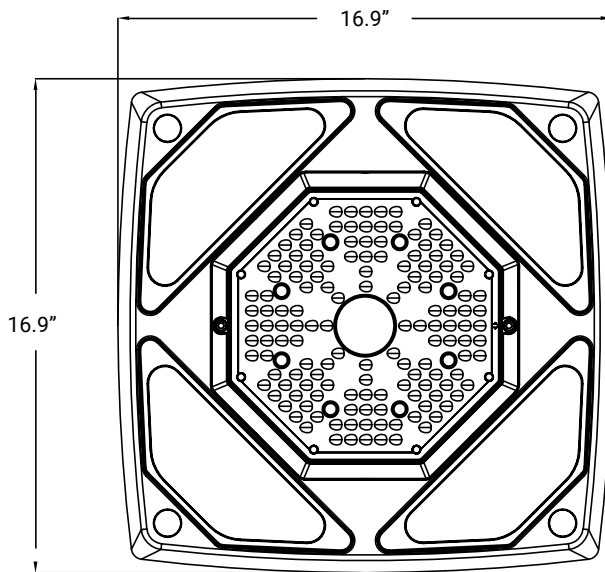
**FLX WITH STANDARD CENTER COVER (NO OPTIONAL HIGH OUTPUT MODULE)**



**FLX WITH FLX-A-OCT-DRPL DROP LENS HIGH OUTPUT MODULE**



**FLX WITH FLX-A-OCT-FL FULL CUTOFF HIGH OUTPUT MODULE**



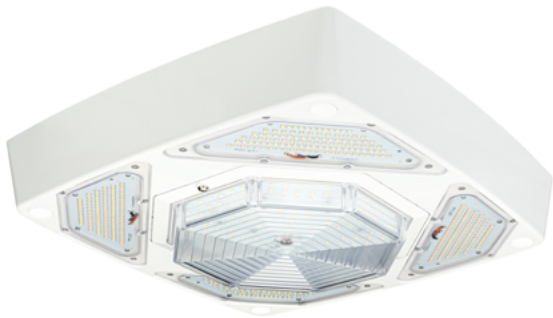
**FLX WITH FLX-A-OCT-AIML DIRECTIONAL OPTIC HIGH OUTPUT MODULE**



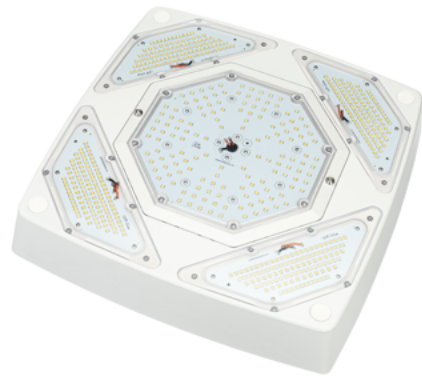
**FLX FIXTURE REAR VIEW**



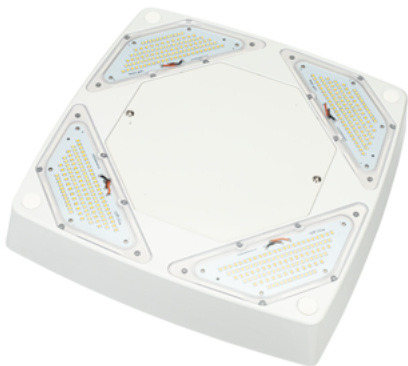
**FLX SIDE VIEW**



**FLX WITH FLX-A-OCT-DRPL DROP LENS  
HIGH OUTPUT MODULE**



**FLX WITH FLX-A-OCT-FL FULL CUTOFF  
HIGH OUTPUT MODULE**



**FLX WITH STANDARD CENTER COVER  
(NO OPTIONAL HIGH OUTPUT MODULE)**

# Photometric

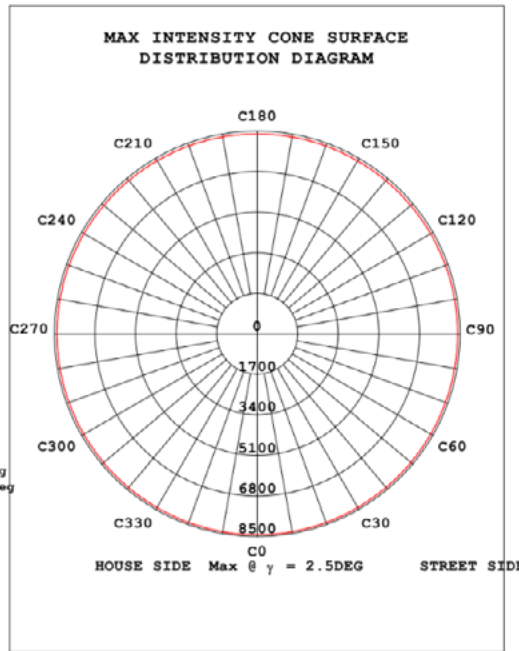
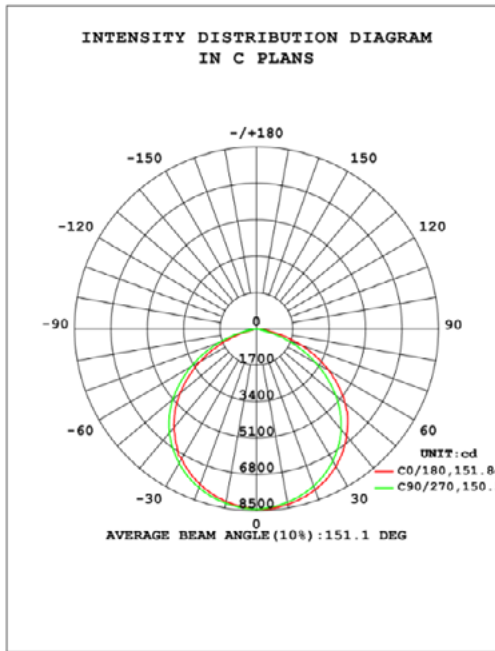
FLX-10ML20-30/40/50K-YY-UV-[DTO or Z10]-WHT

## LUMINAIRE DATA

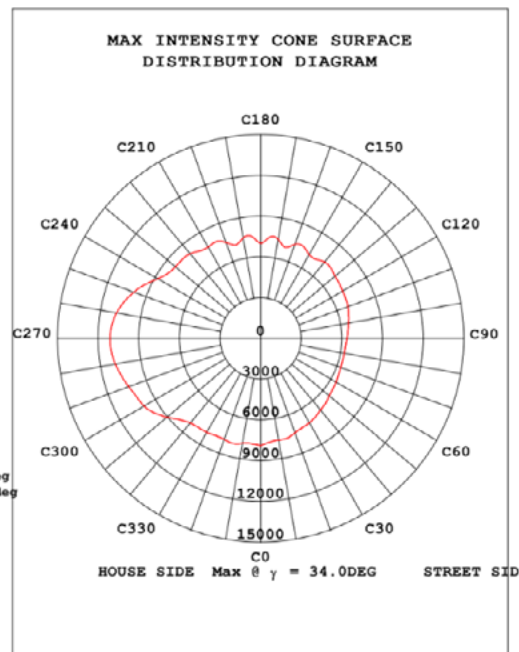
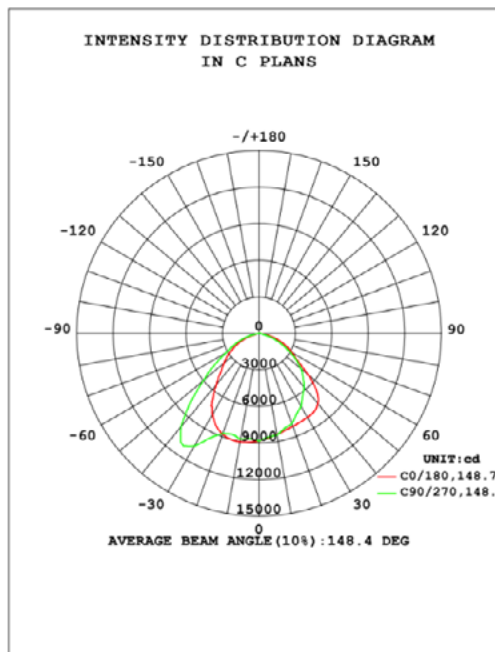
<b>SETTING:</b>	5000K Kelvin, 100% power
<b>WATTS</b>	145.4 W
<b>LUMENS</b>	22632 lm
<b>EFFICACY</b>	156.4 lm/W

## ZONAL LUMENS SUMMARY

ZONE	LUMENS	SUMMARY
Uplight	0	0%
Downlight	22632	100%



FLX-10ML20-30/40/50K-YY-UV-[DTO or Z10]-WHT



FLX-10ML20-30/40/50K-YY-UV-[DTO or Z10]-WHT with OCT-AIM High Output Module