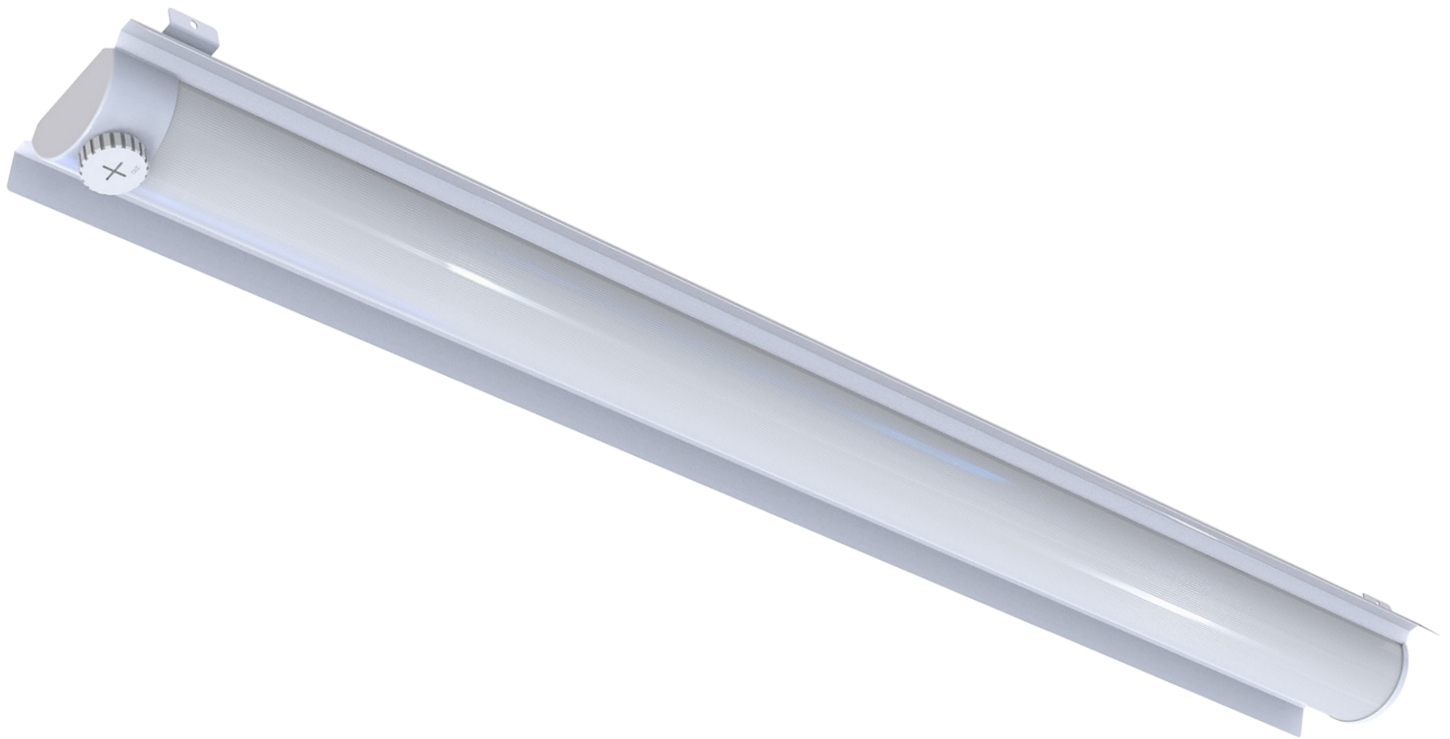


SRK-N Series LED Linear Strip Retrofit



Product Highlights

- Sleek, linear retrofit solution
- Designed to easily replace HID and fluorescent fixtures
- Durable stamped steel housing and polycarbonate lens
- Z10 ready
- 0-10V dimming + 12v auxiliary power for accessories
- Adjustable color temperature and wattage
- 10 Year Warranty

Jarvis SRK-N Series

Z10 accessory ready

Optical diffuser improves eye comfort and reduces glare

Retrofit design save installation time by using existing lamp body

Hides all old componentry and appears as a new fixture

Competitors' Products

Limited sensor options available and require additional power modules, relays, or difficult field installation

Poor optics produce a high level of unwanted glare

Slower installation process because it requires fully replacing the existing light fixture

Old housing and componentry is visible

Ordering Guide

Example: SRK-N-4-2ML5-35K/40K/50K-Z10R

| Product Family | Length | Lumen Package | CCT | Dimming/Control |
|--|---------|--|---|----------------------------|
| SRK-N Linear Strip Retrofit Kit | 4 - 4ft | 2ML5 - 2,428 / 3,250 / 3,900 / 5,061 Adjustable Lumens | 35K/40K/50K - 3500K/4000K/5000K Adjustable CCT | Z10R - Z10 Ready |

Additional Field Installed Accessories

| Catalog # | Description |
|-----------------------|--|
| JL-Z10-SPM-INT-WHT-V1 | Jarvis Link Z10 Interior Bluetooth PIR Motion Sensor + Photocell (White Color) - 40ft Max Mounting Height* |
| JL-Z10-WCM-WHT-V1 | Jarvis Link Z10 Bluetooth Wireless Control Module (White Color)* |
| S-Z10-SPM-EXT-WHT-V1 | Remote Programmable PIR Z10 Motion Sensor + Photocell (White Color) - 40ft Max Mounting Height |
| S-Z10-SPM-EXT-WHT-V2 | Remote Programmable Microwave Z10 Motion Sensor + Photocell (White Color) - 40ft Max Mounting Height |

*Jarvis Link System requires prior training with Jarvis representative

Electrical

Input Voltage: 120-277V 50/60Hz

Power Factor: > 0.9 at full load.

Total Harmonic Distortion: <20% full load

Includes over voltage protection, over current protection, and short circuit protection

Operating Temperature Range: -20°C to 45° C Ambient (-4°F to 113°F)



Controls and Dimming

0-10V dimming is default on all 120-277V input models. The power supply is capable of providing 12VDC auxiliary output power for a variety of accessories.

The SRK-N series features a dim-to-off driver and a Z10 receptacle. They are compatible with the Jarvis Lighting networked lighting control system. This system allows the lights to communicate with each other via Bluetooth® signal. Systems are typically capable of grouping, controlling and dimming lights through a number of methods including motion sensors, photo sensors, schedules, manual Bluetooth switches and more.

The SRK-N series is compatible with Jarvis Lighting's PhotoMotion™ sensors or network lighting control system. PhotoMotion™ sensors provide multi-level control based on both motion and/or ambient natural lighting levels and can be custom programmed via remote control. The SRK-N Series is compatible with many other photosensors and motion sensor systems. Contact a Jarvis representative for more information.

Most Popular Models and Specifications:

| Catalog # | Description | DLC Product ID* | Input | Power | Lumens | CCT | CRI | PF |
|-------------------------------|---|-----------------|------------------|-------------------------------|--|------------------------------|------|-------|
| SRK-N-4-2ML5-35K/40K/50K-Z10R | Wattage + CCT Adjustable 4' Linear Strip Retrofit | S-LD6XJF | 120-277V 50/60Hz | 18W/ 25W/ 30W / 40W | 2,428 / 3,250 / 3,900 / 5,061 lm | 35K / 40K / 50K | ≥ 80 | ≥ 0.9 |

*Factory default setting listed in bold

Construction and Materials

Housing is constructed from stamped steel with integrated thermal management design. The fixture features a paint finish that is applied directly to housing material and will not crack or peel. Default color is white.

Lens construction is frosted polycarbonate with glare reduction optics and a 120° beam angle.

Luminaire's construction contains zero mercury LEDs are reflow soldered to a metal core circuit board, providing greater thermal transfer than standard circuit board materials. Thermally-conductive material is positioned between LEDs and housing to provide increased thermal transfer.

Power supply features 12v auxiliary output power and 0-10v dim-to-off.

Z10 receptacle is pre-installed and wired into the fixture lens end cap.

Fasteners are stainless-steel and will not rust or create rust-streaks.

Regulatory and Voluntary Qualifications

ETL listed to UL1598 and UL8750 for both US and Canada.

State of California Title 24 Compliant when installed in accordance with local requirements.

DesignLights Consortium® (DLC) Premium qualified product. Not all versions of this product may be DLC qualified. Please check the DLC Qualified Products List at www.designlights.org/QPL to confirm which versions are qualified.

Rated for Dry and Damp Locations.



Warranty and Lifetime

SRK-N Series carries a 10-year limited warranty. Contact Jarvis representative for details.

Projected LED lifetime exceeds 50,000 hours under most operating conditions. Lifetime projections are calculated using data including LM-79, LM-80 and TM-21 calculations. Contact Jarvis representative for details.

Installation

Luminaire installs into the existing lamp body by first removing original lamps, ballast cover, sockets, ballast, and tombstones (if necessary). Once material is removed, align the SRK-N with the lamp body and secure using the safety cables. Electrical connections can be brought in through the lamp body. Once electrical connections are made, mount the SRK-N flush to the lamp body and secure it using the four adjustable side flaps on the SRK-N.

Luminaire features 6" input power wire leads accessible outside the luminaire for ease of the installation connections.

Adjustable fixture settings for wattage and color temperature selectable models can be changed via 2 dip switches on the LED driver.

When installing Z10 compatible accessories, the receptacle cover cap must first be removed. Z10 compatible accessories must be inserted and rotated until locked into place on the receptacle.

Contact a Jarvis Representative for full installation instructions, videos or additional information.



Retrofit Applications

The SRK-N Series is designed to easily upgrade existing linear fluorescent or HID fixtures to LED. It can be installed into either suspension or surface mounted fixtures. The SRK-N series can be used to upgrade 4.25"-5.25" wide existing fixtures to LED. A single SRK-N will retrofit most single or twin lamp fixtures. Additionally 2 units can be used end-to-end to retrofit an 8' T12 fixture. Contact a Jarvis representative for more information and for advice regarding specific applications.

Photometrics

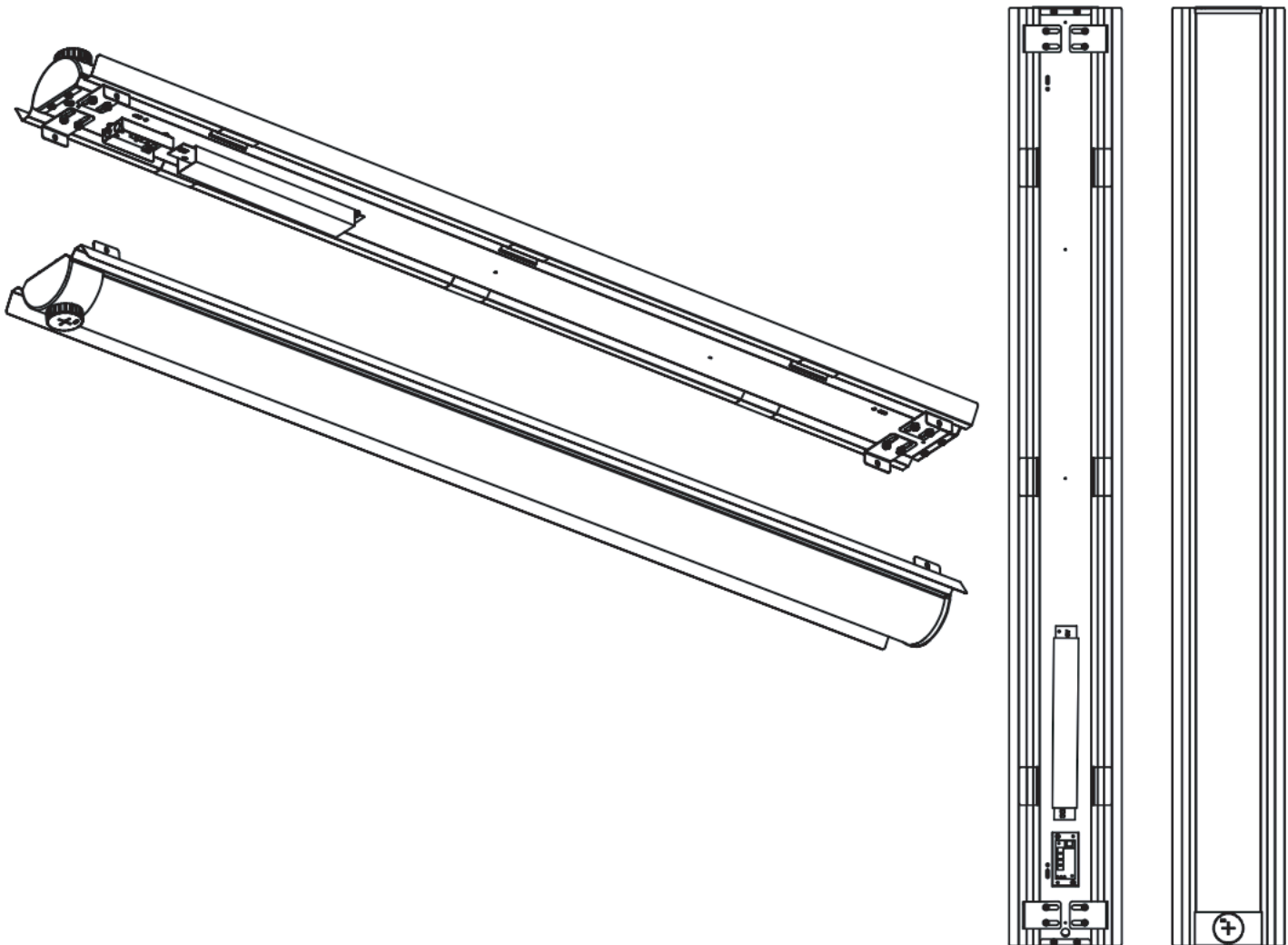
Photometric information, including LM-79 reports and .IES files are available for most models at www.jarvislighting.com. Site photometrics and lighting layouts are available. Contact a Jarvis representative.

Product Weight:

| Catalog # | Weight |
|-----------|---------|
| SRK-N | 3.6 lbs |

Dimensions:

| Catalog # | Dimensions (Length x Inner Width x Outer Width x Height) |
|-----------|--|
| SRK-N | 47.9" x 4.2" x 5.7" x 1.9" |



BRIGHT DONE RIGHT™

