

LINEAR LED STRIP RETROFIT

INSTALLATION AND USERS' GUIDE

WARNING

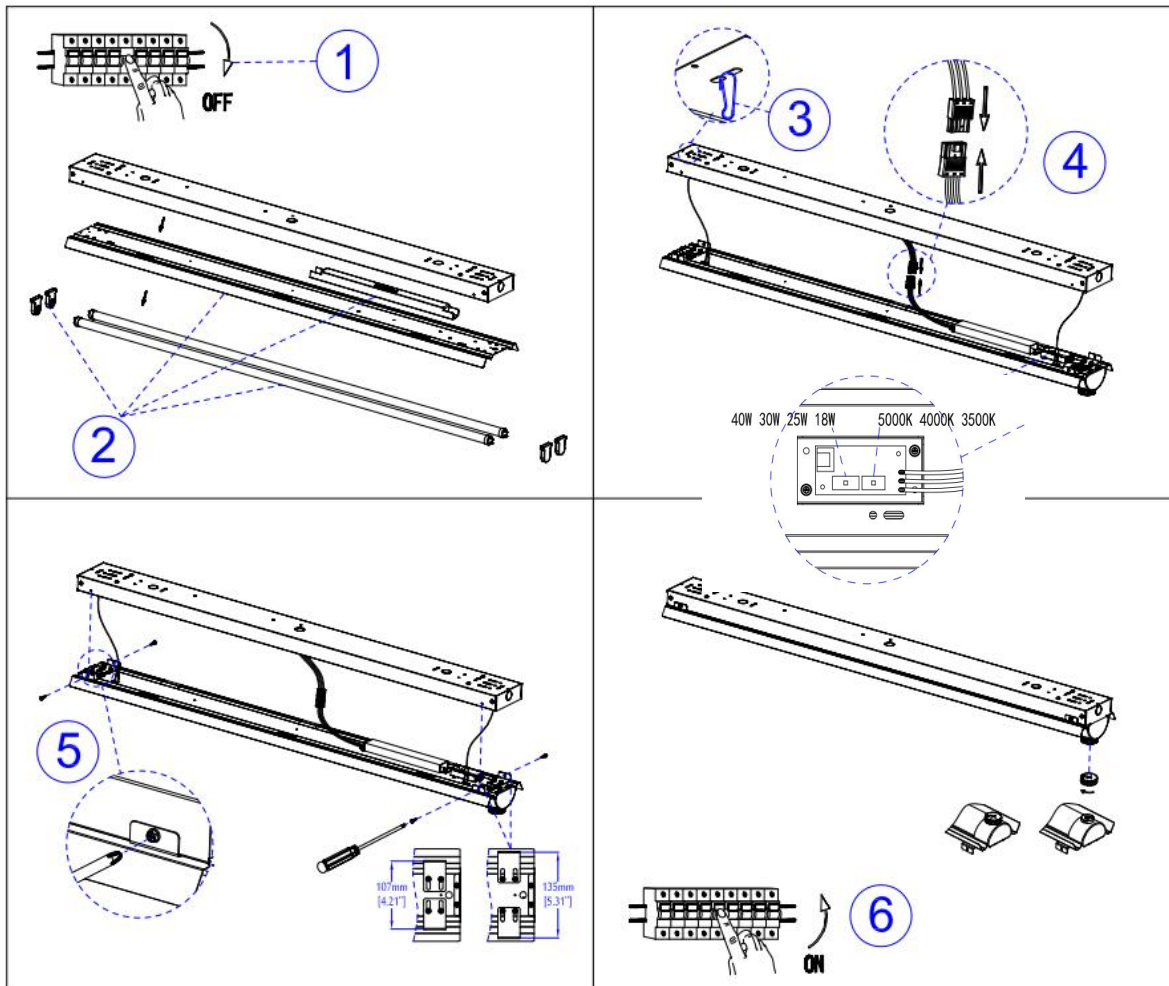
- Risk of fire. Turn off power before installation.
- Risk of electronic shock. Install only by certified electrician with gloves.
- To be used in indoor dry and damp location only.
- If the luminaire exhibits undesirable operation (buzzing, flickering, not working etc.) ,immediately turn off power, remove luminaire and contact manufacturer.
- Do not make mass installation before testing.



INSTALLATION FOR SURFACE MOUNTING

1. Disconnect or turn off power before installation, see step ①.
2. Remove the fluorescent tubes, ballast, the tombstones and tray(if necessary) from the old fixture, see step ②
3. Hook the safety cables onto the metal housing, adjust the wattages and CCT when necessary, see step ③.
2. Make the electrical connection to the fixture in accordance with local electrical code, see step ④. Make all necessary wiring connections, observing proper voltage and polarity.
5. Once the wiring is secured and clear, screw the LED strip retrofit to the metal housing, be careful not to pinch any wires. Adjust the slot to fit to different sizes of fixtures, can fit to both 4.25" and 5.25" wide fixtures. See step ⑤.
6. The Z10 receptacle is on the end cap, install the Z10 sensor if necessary. Reconnect power, the light will be on, see step ⑥
8. Adjust settings of the Z10 sensors if desired. See separate instruction sheet for details.

Supplied
Accessories



Information is subject to change without notice.

Jarvis Lighting
Add: 1058 National Parkway Schaumburg, IL 60173

JARVIS
LIGHTING