

SPL Series Product Overview



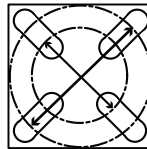
Perfect for pole mounting various Jarvis Lighting fixtures including the ARJ, JSAL, AR3, FL-L, JF and AL series lights. The SPL poles are compatible with Jarvis Lighting's wide selection of available tenons and mounting adapters.

KEY FEATURES:

- Carbon grade steel
- Includes hand hole for wiring and ground lug
- Bolt pattern template included
- Four pre-drilled holes at the top (one on each side)
- Wall thickness: 11 gauge
- Bolt Circle

4" Pole: 8" through 11"

5" Pole: 10.5" through 12"



Bolt Circle Diagram

4" Pole: 8" ~ 11"

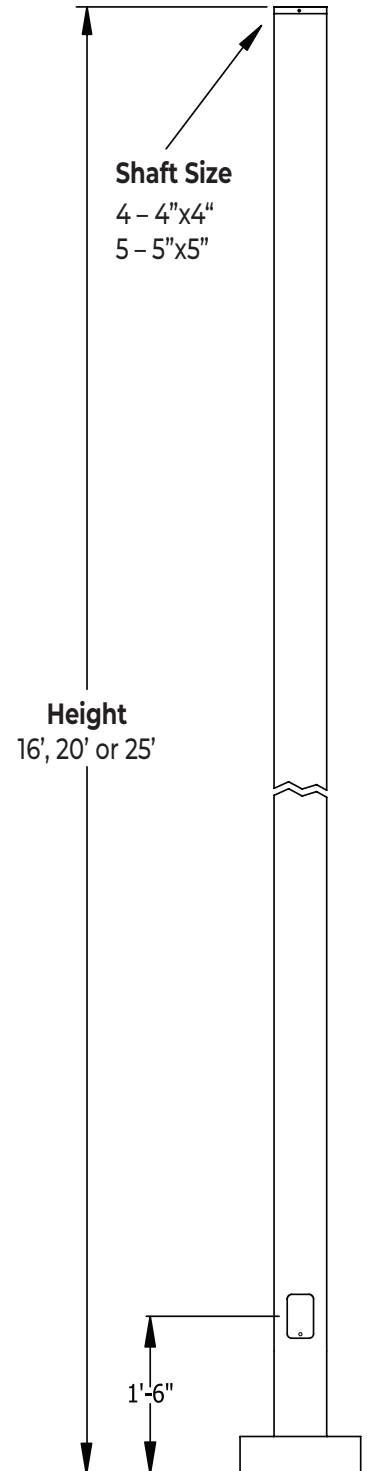
5" Pole: 10.5" ~ 12"

Most Popular Models and Specifications:

Model #	Description
SPL-4-S-16-11-BRZ	4" bronze square steel pole, 16' height, 10.5" bolt circle template
SPL-4-S-16-11-WHT	4" white square steel pole, 16' height, 10.5" bolt circle template
SPL-4-S-20-11-BRZ	4" bronze square steel pole, 20' height, 10.5" bolt circle template
SPL-4-S-20-11-WHT	4" white square steel pole, 20' height, 10.5" bolt circle template
SPL-4-S-25-11-BRZ	4" bronze square steel pole, 25' height, 10.5" bolt circle template
SPL-4-S-25-11-WHT	4" white square steel pole, 25' height, 10.5" bolt circle template
SPL-4-S-25-11-BLK	4" black square steel pole, 25' height, 10.5" bolt circle template
SPL-4-S-25-11-GRY	4" gray square steel pole, 25' height, 10.5" bolt circle template
SPL-5-S-20-11-BRZ	5" bronze square steel pole, 20' height, 10.75" bolt circle template
SPL-5-S-25-11-BRZ	5" bronze square steel pole, 25' height, 10.75" bolt circle template
SPL-5-S-25-11-WHT	5" white square steel pole, 25' height, 10.75" bolt circle template

Additional Components:

Model #	Description
SPL-A-AB	3/4" Anchor Bolt Set
SPL-A-4BC-[WHT, GRY, BLK, or BRZ]	4" Base Plate Cover in Selected Color
SPL-A-5BC-[WHT, GRY, BLK, or BRZ]	5" Base Plate Cover in Selected Color
TC4	4" Plastic Pole Top and Tenon Cover
TC5	5" Plastic Pole Top and Tenon Cover



For weight, wind load, and shipping information, contact a Jarvis representative.