






1078 National Parkway
Schaumburg, IL 60173
Phone (800) 363-1075
Fax (312) 284-5576
www.jarvislighting.com


SCRT-320 INSTALLATION INSTRUCTIONS

 This retrofit kit is intended to be used to retrofit **only** “Scottsdale” light fixtures manufactured by LSI Industries, Inc.

 **WARNING – RISK OF FIRE OR ELECTRIC SHOCK. INSTALLATION OF THIS RETROFIT ASSEMBLY REQUIRES A PERSON FAMILIAR WITH THE CONSTRUCTION AND OPERATION OF THE LUMINAIRE’S ELECTRICAL SYSTEM AND THE HAZARD INVOLVED. IF NOT QUALIFIED, DO NOT ATTEMPT INSTALLATION. CONTACT A QUALIFIED PERSON.**

AVERTISSEMENT – RISQUE D’INCENDIE OU DE CHOC ÉLECTRIQUE. L’INSTALLATION DE CE NÉCESSAIRE DE MODERNISATION EXIGE UNE PERSONNE FAMILIÈRE AVEC LA CONSTRUCTION ET LE FONCTIONNEMENT DU SYSTÈME ÉLECTRIQUE DU LUMINAIRE ET DES RISQUES ASSOCIÉS. TOUTE PERSONNE QUI N’EST PAS QUALIFIÉE NE DOIT FAIRE AUCUNE TENTATIVE D’INSTALLATION ET DOIT CONTACTER UNE PERSONNE QUALIFIÉE.

 **WARNING – RISK OF FIRE OR ELECTRIC SHOCK. INSTALL THIS KIT ONLY IN THE LUMINAIRES THAT HAS THE CONSTRUCTION FEATURES AND DIMENSIONS SHOWN IN THE PHOTOGRAPHS AND/OR DRAWINGS AND WHERE THE INPUT RATING OF THE RETROFIT KIT DOES NOT EXCEED THE INPUT RATING OF THE LUMINAIRE.**
AVERTISSEMENT – RISQUE D’INCENDIE OU DE CHOC ÉLECTRIQUE. N’INSTALLER CE NÉCESSAIRE QUE DANS LES LUMINAIRES DONT LES CARACTÉRISTIQUES DE CONSTRUCTION ET LES DIMENSIONS SONT CONFORME À CELLES ILLUSTRÉES DANS LES PHOTOS ET/OU LES DESSINS ET DONT LA PUISSANCE D’ENTRÉE NOMINALE DU NÉCESSAIRE DE MODERNISATION NE DÉPASSE PAS CELLE DU LUMINAIRE.

 **WARNING – To prevent wiring damage or abrasion, do not expose wiring to edges of sheet metal or other sharp objects.**

AVERTISSEMENT - Pour éviter d'endommager le câblage ou à l'abrasion, ne pas exposer le câblage des bords de tôle ou d'autres objets pointus.

 **DO NOT MAKE OR ALTER ANY OPEN HOLES IN AN ENCLOSURE OF WIRING OR ELECTRICAL COMPONENTS DURING KIT INSTALLATION.**

IL EST INTERDIT DE FAIRE OU DE MODIFIER UNE OUVERTURE DANS UN BOÎTIER DE CÂBLAGE OU DE COMPOSANTS ÉLECTRIQUES AU COURS DE L’INSTALLATION DU NÉCESSAIRE.

 **THIS RETROFIT KIT IS ACCEPTED AS A COMPONENT OF A LUMINAIRE WHERE THE SUITABILITY OF THE COMBINATION SHALL BE DETERMINED BY AUTHORITIES HAVING JURISDICTION.**

LE NÉCESSAIRE DE MODERNISATION EST ACCEPTÉ À TITRE DE COMPOSANT D’UN LUMINAIRE LORSQUE LA PERTINENCE DE LA COMBINAISON DOIT ÊTRE DÉTERMINÉE PAR PAR LES AUTORITÉS COMPÉTENTES.

 **NOT FOR USE WITH DIMMERS.**

PAS POUR UNE UTILISATION AVEC LES GRADATEURS

Retrofit Kit Contents:

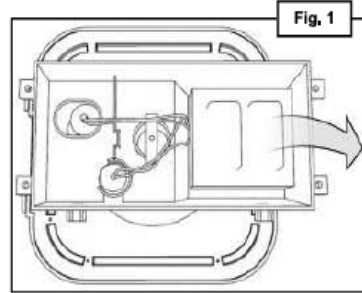
- 1 unit of LED Driver and Retrofitting Cover Plate
- 2 units of LED Wires with Quick Connectors
- 1 unit of LED Panel

Before Starting Work:

- Ensure that all electrical connections are not live! Take all steps necessary to make sure that electrical connections will not become live accidentally during installation.
- Ensure existing light fixture is complete and in serviceable condition. Ensure that ballast compartment cover securely attaches to ballast compartment. Ensure that ballast compartment is securely attached to the lamp compartment. Check to make sure that the existing housing is structurally sound. Ensure that the lens frame is securely attached to the lamp compartment. Ensure that the prismatic lens is secured within the lens frame. A picture is shown below.

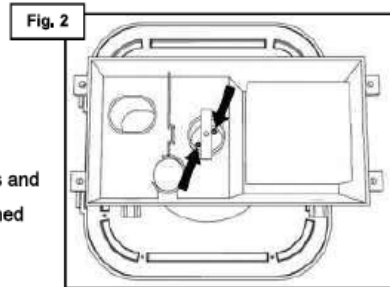
Installation Steps:

1. Working from above the canopy, remove the existing light fixtures' ballast box cover plate. Ballast compartment shown (before removal of ballast and capacitors) (Fig. 1).
2. Disconnect and remove the existing ballast, capacitors and any other electrical components. Leave existing grounding wire in place.
3. Remove two screws (Fig. 2) that hold lamp socket in place. The center wing-nut may need to be removed or loosened to gain access to these screws. After removing the socket screws, replace and tighten wing-nut if it is removed.
4. Connect the LED driver's input wires to the supply wiring, per the attached wiring diagram.



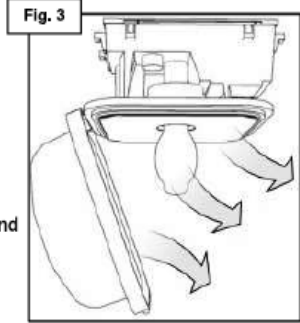
Black = Live
White = Neutral
Green = Ground

5. Connect the LED driver's output wires to the two LED wires and connectors provided, red to red, blue to blue, per the attached wiring diagram.
6. Run the other end of these two output wire extensions through the socket screw holes so that they pass through to the lower portion of the light fixture.



7. Place the retrofitted compartment cover with the driver on top of the enclosure and snap into place to close.

8. From below the canopy, pull on lens-frame to swing lens downward (Fig. 3). Remove lamp and socket.



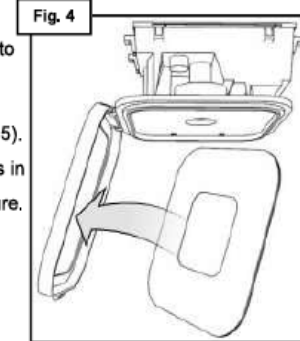
9. Remove three screws and tabs from lens frame that hold the existing glass lens in place. Remove the glass lens. It may be necessary to remove all 5 screws from the lens frame. If so, be sure to reinstall all clips and hardware as originally installed once the glass has been removed. Make sure to also remove the rubber gasket that was around the glass in the original fixture.

10. Unscrew reflector screws. Remove existing reflectors.

11. Install LED panel in place of the existing glass (Fig. 4). Re-install clips and screws to secure the LED panel into the lens frame.

12. Connect LED panel wires to the driver out wires, red to red and blue to blue.

13. Close up the light fixture, being sure not to pinch the LED wires (Fig. 5). If assembly will not close, remove LED panel and rotate it 90 degrees in the existing lens frame. Reinstall screws and tabs, then close up fixture. Once the fixture is closed, installation is complete.



Note: The vast majority of Scottsdale light fixtures require only the reflector to be removed in order to ensure adequate internal clearance for the SCRT-320 retrofit kit. A small number of Scottsdale fixtures have a small amount of aluminum material that can interfere with the LED panel when closing up the light. In these situations, the material can be removed either with a channel-locks or a grinder.

