

PTL Series LED Post Top Luminaire



Jarvis PTL Series

Ultra clear glass lens never yellows

UV-resistant powdercoat finish avoids fading and flaking

Durable die-cast aluminum housing

Competitors' Products

Plastic lens yellows over time

Powdercoat may fade or flake

Plastic housing can crack or break easily

PTL Series



Most Popular Models and Specifications:

CATALOG #	DESCRIPTION	DLC PRODUCT ID	INPUT	POWER	LUMENS	CCT	CRI	PF
PTL-3ML9-30K/40K/50K-BLK	Wattage/CCt Adjustable LED Post Top Light - Black/Coffee Color	S-VF0G10	120-277V 50/60Hz	20W/ 30W/ 40W/ 60W	3,200 lm/ 4,800 lm/ 6,400 lm/ 9,600 lm	3000K/ 4000K/ 5000K	≥ 70	≥ 0.9
PTL-12ML24-30K/40K/50K-BLK	Wattage/CCt Adjustable LED Post Top Light - Black/Coffee Color	S-N9G5V2	120-277V 50/60Hz	80W/ 100W/ 120W/ 150W	12,800 lm/ 16,000 lm/ 19,200 lm/ 24,000	3000K/ 4000K/ 5000K	≥ 70	≥ 0.9

Additional variants may be available. Contact a Jarvis representative for more information.



Electrical

Input Voltage: 120-277V 50/60Hz

Power Factor: >.9 at full load

Total Harmonic Distortion: <20% full load

Operating Temperature Range: -20°C to 45°C Ambient (-4° to 113°F)

Includes over voltage protection, over current protection, and short circuit protection

Controls and Dimming

PTL series feature a 1-10V dimming driver.

The PTL series features a pre-installed photocell. Luminaires ships with the photocell deactivated by a cover cap. To activate photocell simply remove the cover cap.

Contact Jarvis Representative for further information.

Construction and Materials

Die-cast aluminum housing.

LED optics eliminate uplight and provides a 120° beam angle for symmetrical light distribution.

Fixture design integrates LED optics and fixture mechanicals into a single structure that acts as both the heat sink and the fixture housing, resulting in increased thermal continuity and decreased componentry.

Die-cast housing features a powdercoat finish with UV protection to ensure longevity of color. Powdercoat finish is applied directly to aluminum housing and will not crack or peel. Default color is an off-black color. Custom colors are available. Contact factory for additional color information.

LEDs are reflow soldered to a metal core circuit board, providing greater thermal transfer than standard circuit board materials. The LED board is mechanically fastened directly to die-cast housing.

Lens construction is an ultra clear glass lens.

Luminaire's construction contains zero mercury.

Fasteners are stainless-steel and will not rust or create rust-streaks.

Regulatory and Voluntary Qualifications

ETL listed to UL1598 and UL8750 for both US and Canada.

State of California Title 24 Compliant when installed in accordance with local requirements.

DesignLights Consortium® (DLC) Premium qualified product. Not all versions of this product may be DLC qualified. Please check the DLC Qualified Products List at www.designlights.org/QPL to confirm which versions are qualified.

Rated for Wet Locations.

Warranty and Lifetime

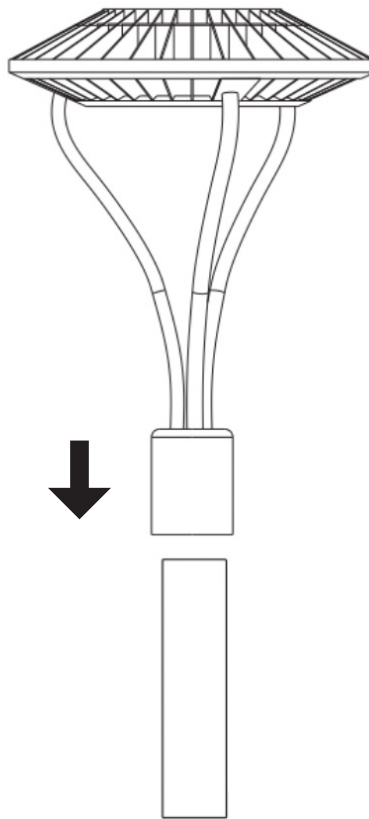
PTL Series carries a 10-year limited warranty.
Contact Jarvis representative for details.

Projected LED lifetime exceeds 50,000 hours under most operating conditions. Lifetime projections are calculated using data including LM-79, LM-80 and TM-21 calculations. Contact Jarvis representative for details.

Installation

The PTL series is installed by sliding the light fixture over a round pole top. First the fixture body must be connected to the 3 fixture arms, this includes threading power cable through the corresponding arm. Then the fixture arms are secured to the mounting base using provided fasteners. Wire connections are made at the pole top. Then the fixture's mounting base is inserted over the open pole top. Fixture is secured in place by tightening the fixture's mounting base fasteners around the round pole top.

During installation luminaire wattage and CCT can be adjusted via dip switch located behind a removable knockout cover cap.



Mounting Height Recommendations

Typical recommended mounting height range for the PTL series is 6.5ft - 26ft.

For exact mounting height recommendations based on fixture wattage contact a Jarvis representative.

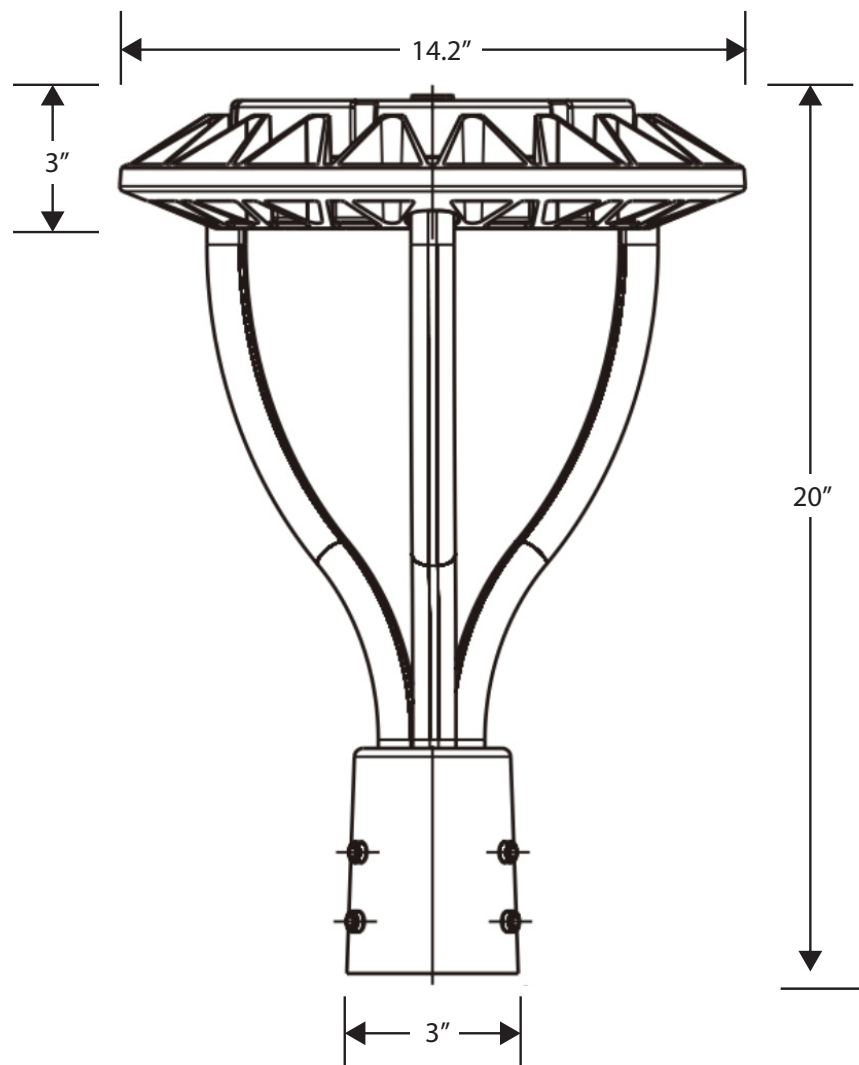
Photometrics

Photometric information, including LM-79 reports and .IES files are available for most models at www.jarvislighting.com. Site photometrics and lighting layouts are available. Contact a Jarvis representative.

Product Weight:

Catalog #	Weight
PTL-3ML9	12.5 lbs.
PTL-12ML24	12.8 lbs.

Dimensions:



BRIGHT DONE RIGHT™

