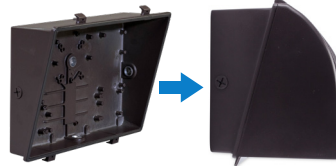


FlexPack™ LUMOS Series LED Wall Pack Luminaire



LUMOS-9L w/Motion Sensor
Forward Throw Orientation

One Light Fixture - Multiple Applications



Full Cut-Off Applications:

Baseplate is positioned with large side up. Glass is parallel with the ground. Lens is directed down and forward with zero light emitted above the horizon.

OR



Forward Throw Applications:

Baseplate is positioned with large side down. Lens is tilted back to project light farther forward.

Product Highlights

- Patented FlexPack™ Design
- LED optics provide uniform light pattern with minimal glare
- 2 Different housing sizes available for wide variety of applications
- Available with factory installed motion sensor
- 0-10V Dimming capable
- Impact resistant and tamper resistant polycarbonate lens
- 10 Year warranty

Jarvis SAR2-HV Series

Converts between a forward throw and a dark sky wall pack

Housing designed with space for factory installed motion sensor

Can be changed after install between forward throw and dark sky light throw

UV-resistant powdercoat finish avoids fading and flaking

Competitors' Products

Cannot work as both applications

Motion sensor requires special mounting bracket or drilling which can compromise housing seal

Cannot be changed - light fixtures must be replaced if light throw requirement is altered

Powdercoat may fade or flake

Ordering Guide *Example: LUMOS-4L-40K-UV-BRZ-DM*

Product Family	Lumen Output	CCT	Voltage	Housing Color	Dimming/ Control	Factory Installed Accessories
LUMOS Compact Flexpack™ Bronze LED Wall Pack	4L - 4,305 Lumens	40K - 4000K	UV - 120-277V	BRZ - Bronze WHT - White	DIM - 0-10V Dimming	+A299 - 120-277V Button Photocell +A300 - 120V Button Photocell + Jarvis Link WCM - Bluetooth Wireless Control Module* + Jarvis Link Sensor (8-30ft) - Bluetooth Wireless PIR Sensor** +A311 - Programmable PhotoMotion™ PIR Motion Sensor**
	5L - 5,952 Lumens	50K - 5000K				
	9L - 9,672 Lumens					
	11L - 11,808 Lumens					

Variants in blue are typically quick ship items. Other variants are typically special order with longer lead time.

* Jarvis Link System Requires Prior Training With Jarvis Representative

** Requires A315 remote control for custom programming

Additional Field Installed Accessories

Catalog #	Description
A301	Heavy Duty Stem Photocell 120-277V
A312P	Knockout Arm Mount PIR PhotoMotion™ Sensor - Bronze*
A313P	Knockout Arm Mount PIR PhotoMotion™ Sensor - White*

* Requires A315 remote control for custom programming

Electrical

Input Voltage: 120-277V 50/60Hz

Power Factor: >.9 at full load

Total Harmonic Distortion: <20% full load

Includes over voltage protection, over current protection, and short circuit protection

Operating Temperature Range: -35°C to 40° C Ambient (-31°F to 104°F)

Controls and Dimming

0-10V Dimming is standard for LUMOS series. Dimming leads are accessible inside the fixture.

The LUMOS series is compatible with both Jarvis Lighting's PhotoMotion™ PIR sensors and network lighting control system. The network lighting control system allows the lights to communicate with each other via Bluetooth® signal. Systems are typically capable of grouping, controlling and dimming lights through a number of methods including motion sensors, photo sensors, schedules, manual Bluetooth switches and more. PhotoMotion™ sensors provide multi-level control based on both motion and/or ambient natural lighting levels and can be custom programmed via remote control.

The LUMOS series is compatible with most controls including motion sensors and photosensors. Motion sensors and photosensors can be mounted into knockouts on sides of housing. Contact Jarvis Representative for further information.

Most Popular Models and Specifications:

Model	DLC Product ID	Input	Lumens	Wattage	CCT	CRI	PF
LUMOS-4L-40K-UV-[BRZ,WHT]-DM	PL82IJ3645KW	120-277V 50/60Hz	4,200 lm	35W	4000K	≥ 70	≥ 0.9
LUMOS-4L-50K-UV-[BRZ,WHT]-DM	PLVFZL1IRBIH	120-277V 50/60Hz	4,305 lm	35W	5000K	≥ 70	≥ 0.9
LUMOS-5L-40K-UV-[BRZ,WHT]-DM	PLTB32MTTOIW	120-277V 50/60Hz	5,808 lm	48W	4000K	≥ 70	≥ 0.9
LUMOS-5L-50K-UV-[BRZ,WHT]-DM	PLB7JF2ZOH1L	120-277V 50/60Hz	5,952 lm	48W	5000K	≥ 70	≥ 0.9
LUMOS-9L-40K-UV-[BRZ,WHT]-DM	PLEEK5315EC8	120-277V 50/60Hz	9,516 lm	78W	4000K	≥ 70	≥ 0.9
LUMOS-9L-50K-UV-[BRZ,WHT]-DM	PLC5ASBRUJ5X	120-277V 50/60Hz	9,672 lm	78W	5000K	≥ 70	≥ 0.9
LUMOS-11L-40K-UV-[BRZ,WHT]-DM	PLD2ZUD3R2UA	120-277V 50/60Hz	11,616 lm	96W	4000K	≥ 70	≥ 0.9
LUMOS-11L-50K-UV-[BRZ,WHT]-DM	PLRWJX1PGIA	120-277V 50/60Hz	11,808 lm	96W	5000K	≥ 70	≥ 0.9



*LUMOS-11L Side View
Forward Throw Orientation*

*LUMOS-11L Side View
Dark SKY Orientation*



Construction and Materials

Die-cast aluminum housing cast from 383 (ADC12) alloy.

Patented design integrates LED optics and fixture mechanicals into a single structure that acts as both the heat sink and the fixture housing, resulting in increased thermal continuity and decreased componentry.

Front portion of housing can be installed onto baseplate of fixture in two positions. Housing sections feature cast-in hooks and sections connect via hooks and fasteners. Each cast-in hook functions as a threaded receptacle when mounted in the opposite orientation.

Die-cast housing features a powdercoat finish with UV protection to ensure longevity of color. Powdercoat finish is applied directly to aluminum housing and will not crack or peel. Default color is bronze. Custom colors are available. Contact factory for additional color information.

LEDs are reflow soldered to a metal core circuit board, providing greater thermal transfer than standard circuit board materials. The LED board is mechanically fastened directly to die-cast housing.

Lens construction is a polycarbonate lens with forward and wide throw optics.

Luminaire's construction contains zero mercury.

Fasteners are stainless-steel and will not rust or create rust-streaks.

Regulatory and Voluntary Qualifications

ETL listed to UL1598 and UL8750 for both US and Canada.

State of California Title 24 Compliant when installed in accordance with local requirements.

DesignLights Consortium® (DLC) Premium qualified product.

Not all versions of this product may be DLC qualified.

Please check the DLC Qualified Products List at www.designlights.org/QPL to confirm which versions are qualified.

Fixture Protection Class IP64.

Rated for Wet Locations.



LUMOS-4L
Dark Sky Orientation

Warranty and Lifetime

LUMOS Series carries a 10-year limited warranty. Contact Jarvis representative for details.

Projected LED lifetime exceeds 50,000 hours under most operating conditions. Lifetime projections are calculated using data including LM-79, LM-80 and TM-21 calculations. Contact Jarvis representative for details.



Installation

Luminaire installs onto wall by mounting the luminaire's baseplate to the wall. Wall materials and mounting conditions vary by structure and project – contact factory for suggesting which fasteners are optimal. Baseplate should be mounted with larger side on top to install luminaire in the full cut-off orientation or with the larger side on the bottom to install luminaire in the forward-throw orientation. Electrical connections can be brought into the luminaire either through threaded 1/2" NPT knock-outs (located on the sides, top and bottom of the fixture's baseplate) or by mounting the luminaire over a recessed junction box. Front section of luminaire contains LEDs and optics, while the rear section contains the power supply. Front section connects to rear section via cast-in hooks and fasteners. Installation conditions often require sealing of fixture penetrations created during installation.

Contact a Jarvis Representative for full installation instructions, videos or additional information.

Mounting Height Recommendations

Model	Dark-Sky Orientation	Forward-Throw Orientation
LUMOS-4L	8 to 12' from ground	10 to 12' from ground
LUMOS-5L	8 to 14' from ground	12 to 14' from ground
LUMOS-9L	10 to 15' from ground	12 to 15' from ground
LUMOS-11L	10 to 20' from ground	12 to 18' from ground

Retrofit Applications

The LUMOS Series is designed to easily install when replacing existing HID or other fixtures. Conduit entrance locations on the LUMOS series line up with many common existing wall packs.

Contact a Jarvis representative for more info and for advice regarding specific applications.

Photometrics

Photometric information, including LM-79 reports and .IES files are available for most models at www.jarvislighting.com. Site photometrics and lighting layouts are available.

Contact a Jarvis representative.

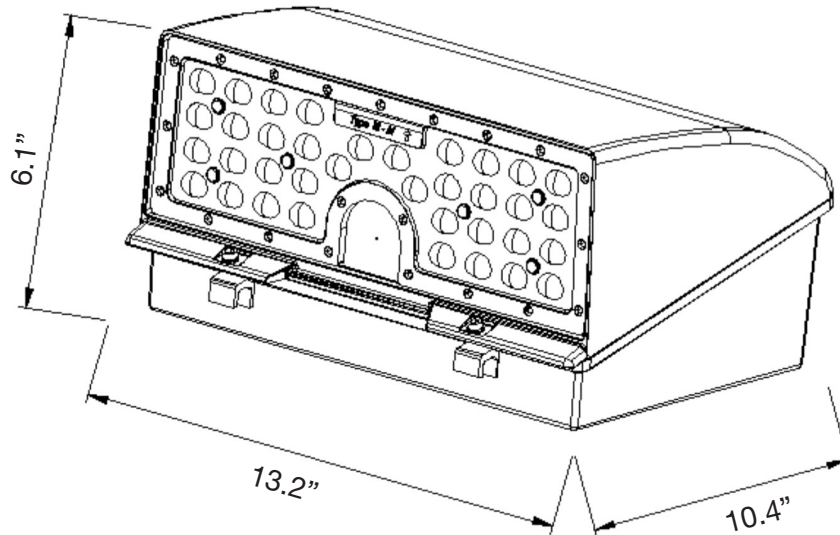
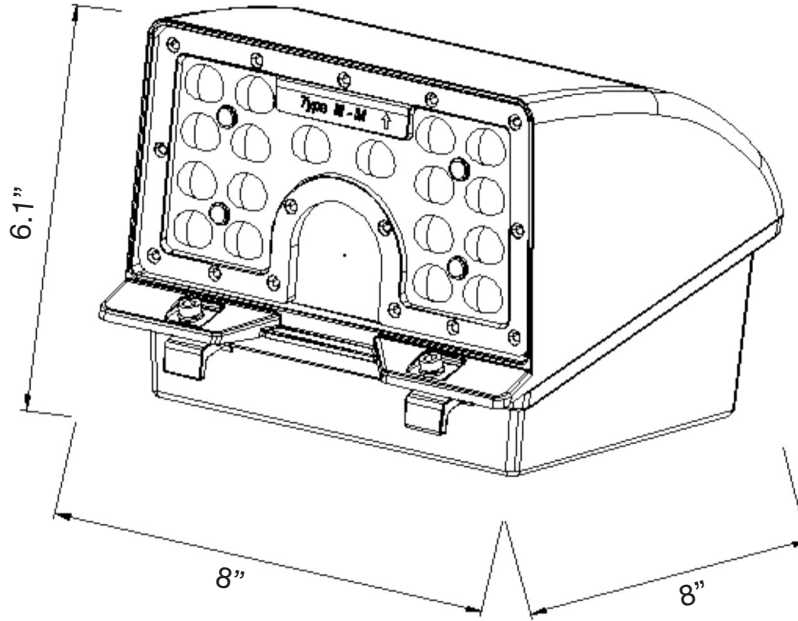
Product Weight:

Model #	Net Weight
LUMOS-4L / LUMOS-5L	5.9 lbs
LUMOS-9L / LUMOS-11L	7.7lbs



Dimensions:

LUMOS-4L/5L



LUMOS-9L/11L



BRIGHT DONE RIGHT™

