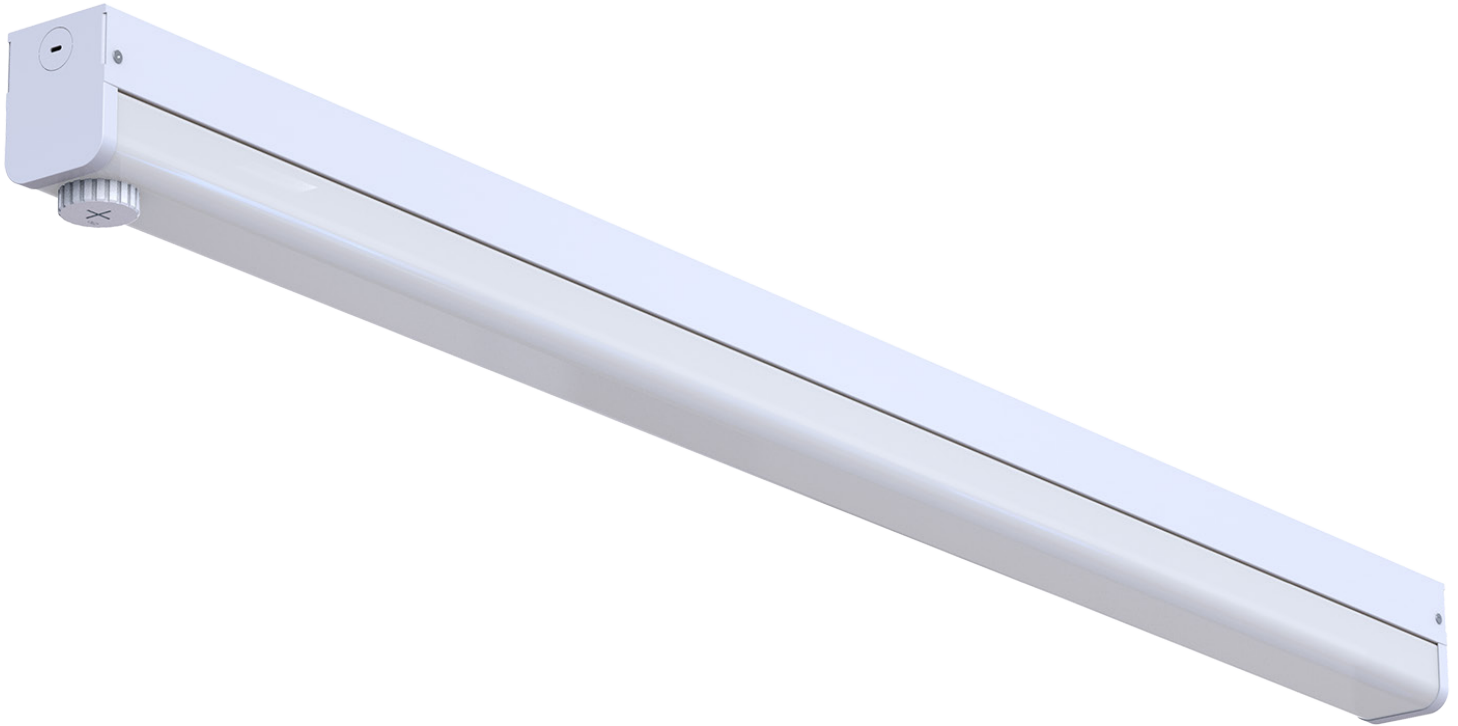


LSLN Series LED Linear Strip



Product Highlights

- Sleek, linear fixture
- Designed to easily replace HID and fluorescent fixtures
- Durable stamped steel housing and polycarbonate lens
- Suitable for both surface and suspended mounting
- Z10 ready
- 0-10V dimming + 12v auxiliary power for accessories
- Adjustable color temperature and wattage
- 10 Year Warranty

Jarvis LSLN Series

Z10 accessory ready

Optical diffuser improves eye comfort and reduces glare

Easy open housing design for fast installation while protecting LEDs from damage

Competitors' Products

Limited sensor options available and require additional power modules, relays, or difficult field installation

Poor optics produce a high level of unwanted glare

Housing design requires exposing LEDs during installation risking damage

Ordering Guide

Example: Example: LSLN-4-1ML5-35K/40K/50K-Z10R

Product Family	Length	Lumen Package	CCT	Dimming/Control
LSLN Adjustable Linear Strip	4 - 4ft	1ML5 - 1,920 / 3,120 / 3,900 / 5,199 Adjustable Lumens*	35K/40K/50K - 3500K/4000K/5000K Adjustable CCT	Z10R - Z10 Ready
	8 - 8ft	5ML10 - 5,954 / 7,862 / 9,079 / 10,747 Adjustable Lumens**		

*Only available for 4ft

**Only available for 8ft

Includes junction box mounting plate and fasteners for surface mount installation

Additional Field Installed Accessories

Catalog #	Description
JL-Z10-SPM-INT-WHT-V1	Jarvis Link Z10 Interior Bluetooth PIR Motion Sensor + Photocell (White Color) - 40ft Max Mounting Height*
JL-Z10-WCM-WHT-V1	Jarvis Link Z10 Bluetooth Wireless Control Module (White Color)*
S-Z10-SPM-EXT-WHT-V1	Remote Programmable PIR Z10 Motion Sensor + Photocell (White Color) - 40ft Max Mounting Height
S-Z10-SPM-EXT-WHT-V2	Remote Programmable Microwave Z10 Motion Sensor + Photocell (White Color) - 40ft Max Mounting Height
LSLN-A-4SK	Suspension Mount Kit for 4ft LSLN - includes 2 sets of cables 3ft in length
LSLN-A-8SK	Suspension Mount Kit for 8ft LSLN - includes 3 sets of cables 3ft in length

*Jarvis Link System requires prior training with Jarvis representative

Electrical

Input Voltage: 120-277V 50/60Hz

Power Factor: > 0.9 at full load.

Total Harmonic Distortion: <20% full load

Includes over voltage protection, over current protection, and short circuit protection

Operating Temperature Range: -20°C to 45° C Ambient (-4°F to 113°F)



Controls and Dimming

0-10V dimming is default on all 120-277V input models. The power supply is capable of providing 12VDC auxiliary output power for a variety of accessories.

The LSLN series features a dim-to-off driver and a Z10 receptacle. They are compatible with the Jarvis Lighting networked lighting control system. This system allows the lights to communicate with each other via Bluetooth® signal. Systems are typically capable of grouping, controlling and dimming lights through a number of methods including motion sensors, photo sensors, schedules, manual Bluetooth switches and more.

The LSLN series is compatible with Jarvis Lighting’s PhotoMotion™ sensors or network lighting control system. PhotoMotion™ sensors provide multi-level control based on both motion and/or ambient natural lighting levels and can be custom programmed via remote control. The LSLN Series is compatible with many other photosensors and motion sensor systems. Contact a Jarvis representative for more information.

Most Popular Models and Specifications:

Catalog #	Description	DLC Product ID*	Input	Power	Lumens	CCT	CRI	PF
LSLN-4-1ML5-35K/40K/50K-Z10R	Wattage + CCT Adjustable 4' Linear Strip Light	S-K1C9LT	120-277V 50/60Hz	15W / 24W / 30W / 40W	1,920 / 3,151 / 3,976 / 5,199 lm	35K / 40K / 50K	≥ 80	≥ 0.9
LSLN-8-5ML10-35K/40K/50K-Z10R	Wattage + CCT Adjustable 8' Linear Strip Light	S-SH09I8	120-277V 50/60Hz	45W / 60W / 70W / 80W	5,954 / 7,862 / 9,079 / 10,747 lm	35K / 40K / 50K	≥ 80	≥ 0.9

*Factory default setting listed in bold

Construction and Materials

Housing is constructed from stamped steel with integrated thermal management design. The fixture features a paint finish that is applied directly to housing material and will not crack or peel. Default color is white.

Lens construction is frosted polycarbonate with glare reduction optics and a 120° beam angle.

Luminaire’s construction contains zero mercury.

LEDs are reflow soldered to a metal core circuit board, providing greater thermal transfer than standard circuit board materials. Thermally-conductive material is positioned between LEDs and housing to provide increased thermal transfer.

Power supply features 12v auxiliary output power and 0-10v dim-to-off.

Z10 receptacle is pre-installed and wired into the fixture lens.

Fasteners are stainless-steel and will not rust or create rust-streaks.

Regulatory and Voluntary Qualifications

ETL listed to UL 1598 and UL 8750 for both US and Canada.

State of California Title 24 Compliant when installed in accordance with local requirements.

DesignLights Consortium® (DLC) Premium qualified product. Not all versions of this product may be DLC qualified. Please check the DLC Qualified Products List at www.designlights.org/QPL to confirm which versions are qualified.

Rated for Dry and Damp Locations.



Warranty and Lifetime

LSLN Series carries a 10-year limited warranty.

Contact Jarvis representative for details.

Projected LED lifetime exceeds 50,000 hours under most operating conditions. Lifetime projections are calculated using data including LM-79, LM-80 and TM-21 calculations. Contact Jarvis representative for details.

Installation

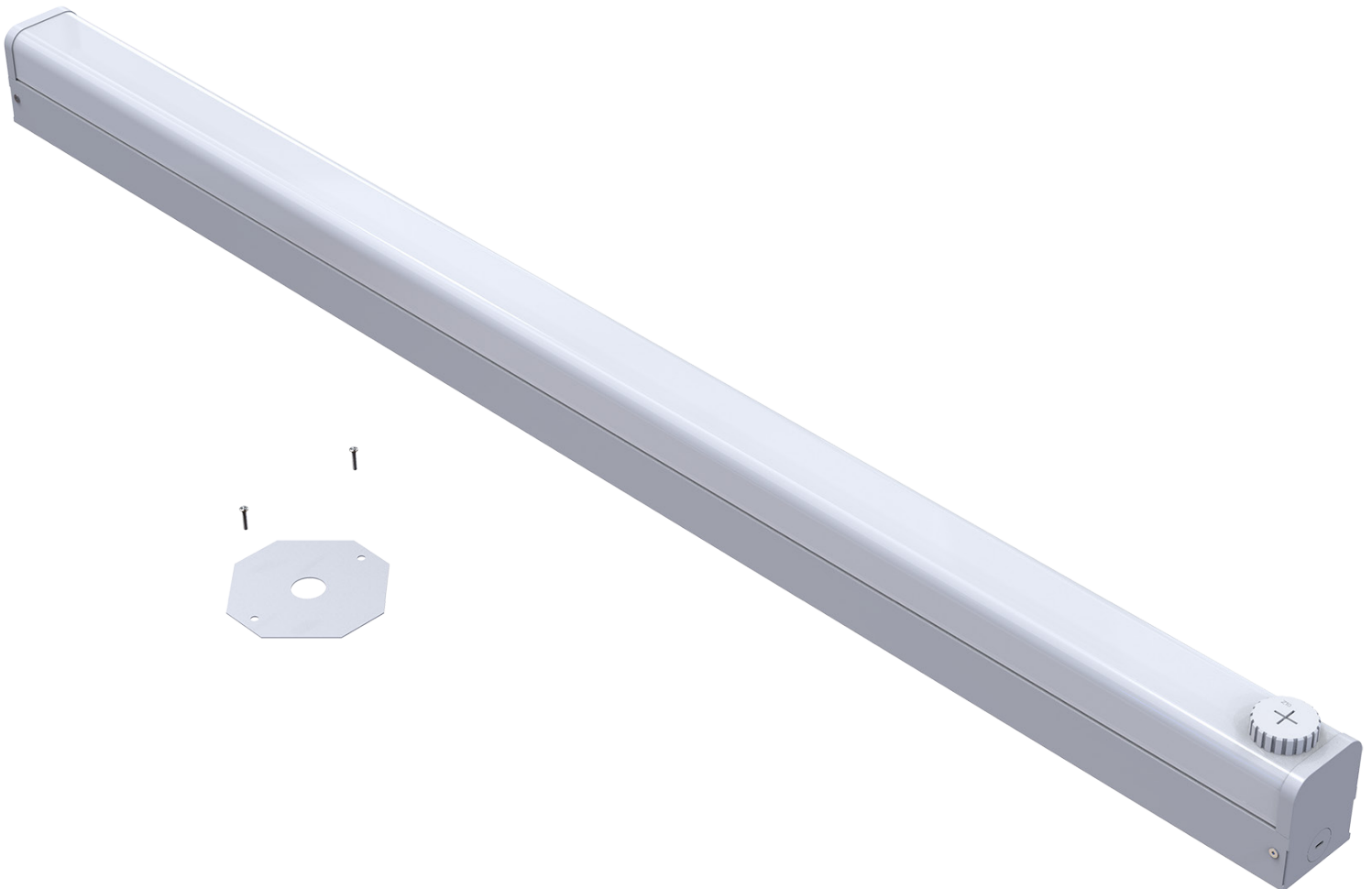
Luminaire can be surface mounted via the included junction box adapter plate and fasteners. Luminaire is also capable of suspension mounting via a separately sold suspension mounting kit.

Luminaire features 4" input power wire leads accessible outside the luminaire for ease of the installation connections.

Adjustable fixture settings for wattage and color temperature selectable models can be changed via 2 dip switches on the LED driver inside the fixture body.

When installing Z10 compatible accessories, the receptacle cover cap must first be removed. Z10 compatible accessories must be inserted and rotated until locked into place on the receptacle.

Contact a Jarvis Representative for full installation instructions, videos or additional information.





Photometrics

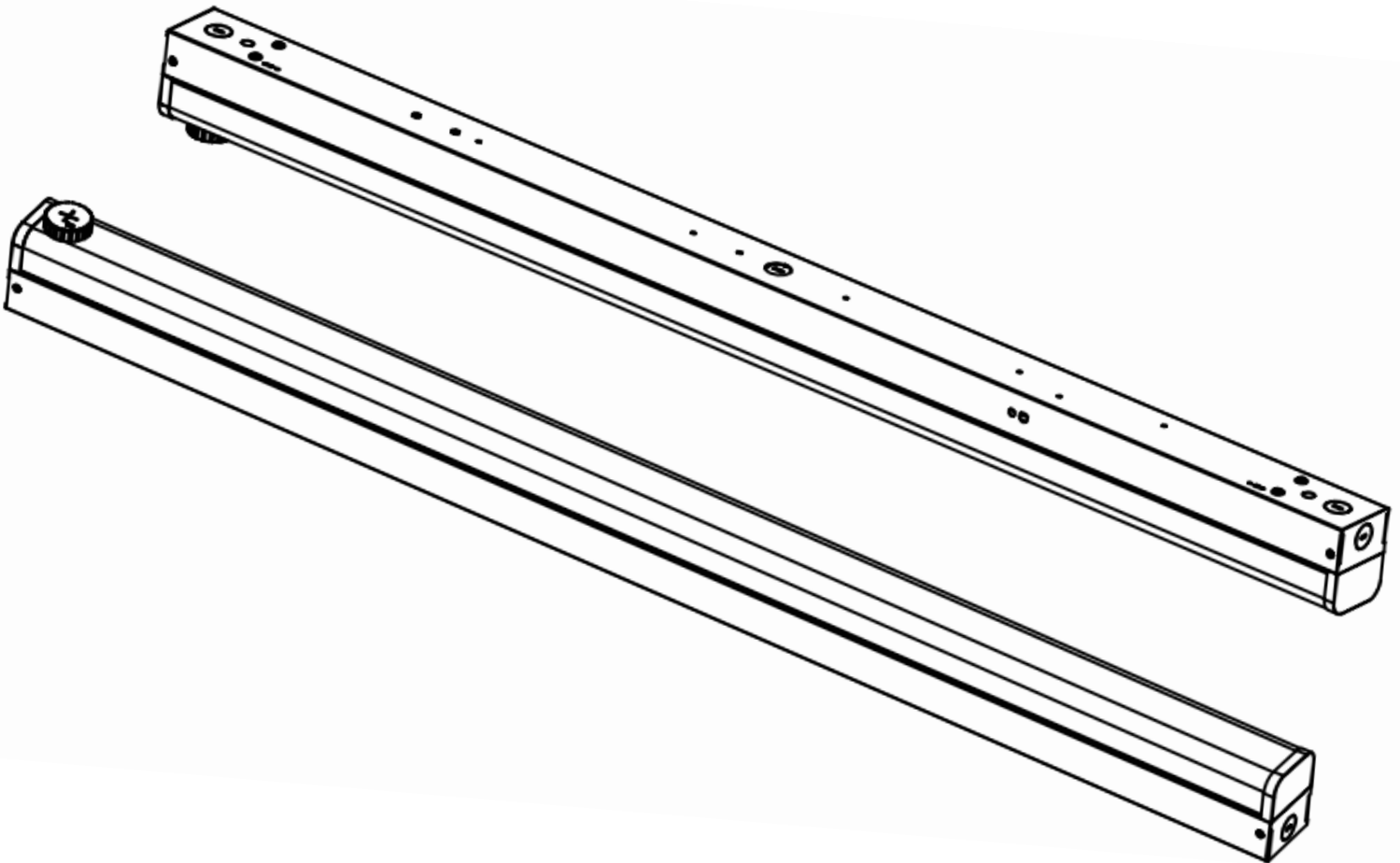
Photometric information, including LM-79 reports and .IES files are available for most models at www.jarvislighting.com. Site photometrics and lighting layouts are available. Contact a Jarvis representative.

Product Weight:

Catalog #	Weight
LSLN-4	4.1lbs
LSLN-8	10.5 lbs

Dimensions:

Catalog #	Dimensions (LxWxH)
LSLN-4	48.0" x 2.5" x 3.6"
LSLN-8	95.8" x 2.5" x 3.6"



BRIGHT DONE RIGHT™

