

LSL3 Series LED Linear Strip



Product Highlights

- Sleek, linear fixture
- Designed to easily replace HID and fluorescent fixtures
- Durable stamped steel housing and polycarbonate lens
- Suitable for both surface and suspended mounting
- 0-10V dimming + 12v auxiliary power for accessories
- Adjustable color temperature and wattage
- 10 Year Warranty

Jarvis LSL3 Series

Sensor and control ready

Optical diffuser improves eye comfort and reduces glare

Housing built from durable stamped steel with integrated thermal management for increased fixture longevity

Easy open housing design for fast installation while protecting LEDs from damage

Competitors' Products

Not sensor and control ready

Poor optics produce a high level of unwanted glare

Fixture runs at a higher operating temperature increasing wear on electrical components and reduces fixture's lifetime

Housing design requires exposing LEDs during installation risking damage

Ordering Guide

Example: LSL3-4-3ML6-35K/40K/50K

Product Family	Fixture Length & Lumen Output	CCT	Accessories
LSL3 - Adjustable Linear Strip	2-1ML3 - 2ft 1,950/2,600/3,273 Lumens	35K/40K/50K - 3500K/4000K/5000K	+ Silvair WCM Bluetooth Wireless Control Module [^]
	4-3ML6 - 4ft 3,900/4,964/6,346 Lumens		
	8-8L - 8ft 8,387 Lumens		

Variants in blue are typically quick ship items. Variants in white are typically special order with longer lead time. Includes junction box mounting plate and fasteners for surface mount installation.

Additional Field Installed Accessories

Catalog #	Description
+ Silvair Sensor (8-30ft)	Bluetooth Wireless Motion Sensor (8-30ft mounting height) [^]
A314PLB	Side Mount PIR PhotoMotion Sensor (Low Bay Lens)
A314PHB	Side Mount PIR PhotoMotion Sensor (High Bay Lens)
A317M	Microwave PhotoMotion Sensor
LSL3-A-SK	Suspension Mount Kit for 4ft Strip

[^] Silvair System requires prior training with Jarvis representative

Electrical

Input Voltage: 120-277V 50/60Hz

Power Factor: >0.9 at full load.

Total Harmonic Distortion: <20% full load

Includes over voltage protection, over current protection, and short circuit protection

Operating Temperature Range: -20° C to 45° C Ambient (-4° F to 113° F)





Controls and Dimming

0-10V dimming leads are default on all 120-277V input models and accessible outside the fixture body. The power supply is capable of providing 12VDC auxiliary output power for a variety of accessories.

The LSL3 series features a dim-to-off driver and are compatible with networked lighting control systems. These systems allow the lights to communicate with each other via Bluetooth® signal. Systems are typically capable of grouping, controlling and dimming lights through a number of methods including motion sensors, photo sensors, schedules, manual Bluetooth switches and more.

The LSL3 series is compatible with Jarvis Lighting's PhotoMotion™ sensors or network lighting control system. PhotoMotion™ sensors provide multi-level control based on both motion and/or ambient natural lighting levels and can be custom programmed via remote control. The LSL3 Series is compatible with many other photosensors and motion sensor systems. Contact a Jarvis representative for more information.

DLC Product ID and Specifications

Jarvis SKU	DLC Product ID	Input	Lumens	Wattage	CCT	CRI	PF
LSL3-2-1ML3-35K/40K/50K	S-HL607C	120-277V	1,950 / 2,600 / 3,273 lm	15W/20W/ 25W	3500K/ 4000K /5000K	≥80	≥ 0.9
LSL3-4-3ML6-35K/40K/50K	S-C98GYV	120-277V	3,900 / 4,964 / 6,346 lm	30W/40W/ 50W	3500K/ 4000K /5000K	≥80	≥0.9
LSL3-8-8L-35K/40K/50K	PQFMYGBC	120-277V	8,387 lm	64W	3500K/ 4000K /5000K	≥80	≥0.9

*Factory default setting listed in bold

Construction and Materials

Housing is constructed from stamped steel with integrated thermal management design.

The fixture features a paint finish that is applied directly to housing material and will not crack or peel. Default color is white.

Lens construction is frosted polycarbonate with glare reduction optics and a 120° beam angle

Luminaire's construction contains zero mercury

Fasteners are stainless-steel and will not rust or create rust-streaks

Regulatory and Voluntary Qualifications

UL listed to UL 1598 and UL 8750 for both US and Canada

State of California Title 24 Compliant when installed in accordance with local requirements

DesignLights Consortium® (DLC) Premium qualified product. Not all versions of this product may be DLC qualified. Please check the DLC Qualified Products List at www.designlights.org/QPL to confirm which versions are qualified.

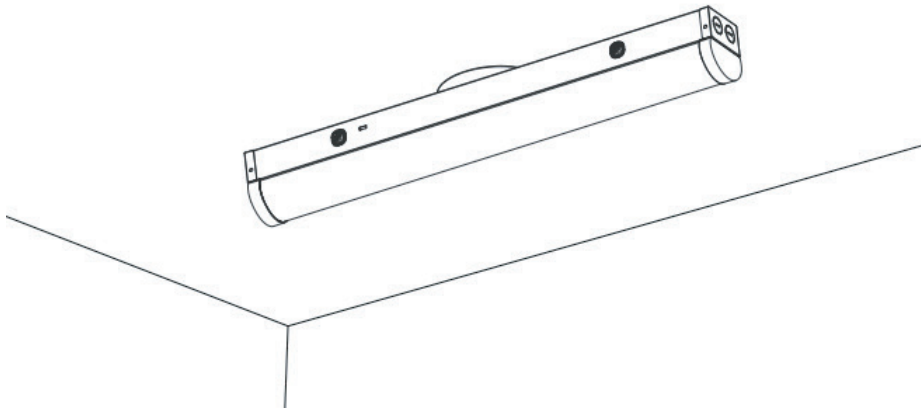
Rated for Dry and Damp Locations

Warranty and Lifetime

LSL3 Series carries a 10-year limited warranty.

Contact Jarvis representative for details.

Projected LED lifetime exceeds 50,000 hours under most operating conditions. Lifetime projections are calculated using data including LM-79, LM-80 and TM-21 calculations. Contact Jarvis representative for details.



Installation

Luminaire can be surface mounted via the included junction box adapter plate and fasteners. Luminaire is also capable of suspension mounting via a separately sold suspension mounting kit. Continuous row mounting capability is available, contact the factory for additional information.

Luminaire features 3-4" input power and dimming wire leads accessible outside the luminaire for ease of the installation connections.

Adjustable fixture settings for wattage and color temperature selectable models can be changed via 2 dip switches on the LED driver inside the fixture body. Adjustable fixture settings for color temperature selectable models can be changed via a single dip switch located along the side of the fixture body.

Contact a Jarvis Representative for full installation instructions, videos or additional information.



Photometrics

Photometric information, including LM-79 reports and .IES files are available for most models at www.jarvislighting.com. Site photometrics and lighting layouts are available. Contact a Jarvis representative.

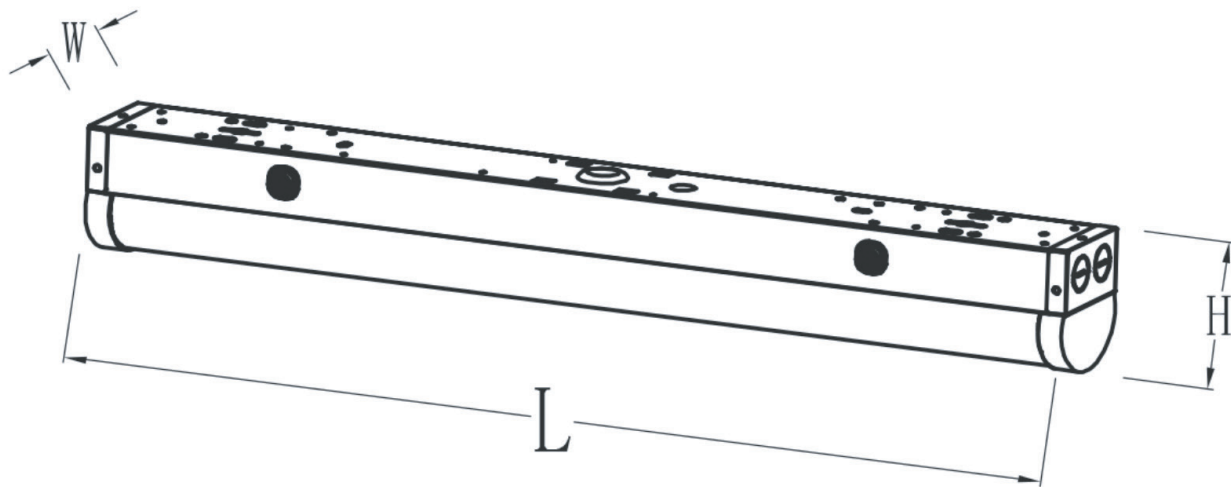
Product Weight

Catalog #	Weight
LSL3-2	2.0lbs
LSL3-4	3.1lbs
LSL3-8	5.8lbs



Dimensions

Catalog #	Dimensions (LxWxH)
LSL3-2	24.0" x 3.0" x 3.3"
LSL3-4	48.0" x 3.0" x 3.3"
LSL3-8	96.0" x 3.0" x 3.3"



BRIGHT DONE RIGHT™

