

JDS Diamond Series LED Petroleum Canopy Luminaire



Jarvis JDS Series

Drop lens design increases site visibility from roadway

UV Stabilized PC Lens increases longevity

Catch wire to hold fixture in place during installation

Lens is impact resistant

Fixture designed with rear facing heat sinks to not trap visible dirt

Competitors' Products

Optic design only "blasts" light at the ground

Standard PC lens yellows quickly

Installation can require 2 or more people with no catch wire

Glass lenses are not impact resistant. Silicone lenses can transfer impact to LEDs and cause LED failure

Front facing heat sinks visibly trap dirt and cobwebs



Most Popular Models and Specifications:

Catalog #	Description	DLC Product ID	Input	Power	Lumens	CCT	CRI	PF
JDS-12L-50K-WHT-DM	Diamond Series White Canopy Luminaire	PVZGRBSG	100-277V 50/60Hz	100W	12,677 lm	5000K	≥ 80	≥ .9
JDS-20L-50K-WHT-DM	Diamond Series White Canopy Luminaire	P7JAU304	100-277V 50/60Hz	150W	20,000 lm	5000K	≥ 80	≥ .9



www.jarvislighting.com



(800) 363-1075





Electrical

Input Voltage: 100-277V 50/60Hz

Power Factor: >0.9 at full load.

Total Harmonic Distortion: <20% full load

Includes over voltage protection, over current protection, and short circuit protection.

Operating Temperature Range: -40°C to 40° C Ambient (-40°F to 104°F)

Controls and Dimming

JDS series is compatible with most controls including motion sensors and photosensors.

0-10V dimming is standard for all JDS series models.

Contact Jarvis Representative for further information.

Construction and Materials

Die-cast aluminum housing cast from 383 (ADC12) alloy.

Die-cast housing features a powdercoat finish with UV protection to ensure longevity of color. Powdercoat finish is applied directly to aluminum housing and will not crack or peel.

LEDs are reflow soldered to a metal core circuit board, providing greater thermal transfer than standard circuit board materials.

Lens construction is a UV stabilized polycarbonate.

Luminaire's construction contains zero glass or mercury.

Fasteners are stainless-steel and will not rust or create rust-streaks.

Optical System

The JDS series optic design features an LED board that provides uniform illumination. Additionally the drop lens design increases the station's visibility from the road, while simultaneously providing quality under canopy illumination. The JDS series optical system ensures every station has an eye-catching sparkle that will increase customer satisfaction.

Regulatory and Voluntary Qualifications

UL listed to UL1598 and UL8750 for both US and Canada

State of California Title 24 Compliant when installed in accordance with local requirements

DesignLights Consortium® (DLC) Premium qualified product. Not all versions of this product may be DLC qualified. Please check the DLC Qualified Products List at www.designlights.org/QPL to confirm which versions are qualified.

Rated for Wet Locations

Warranty and Lifetime

JDS Series carries a 10-year limited warranty.

Projected LED lifetime exceeds 50,000 hours under most operating conditions. Lifetime projections are calculated using data including LM-79, LM-80 and TM-21 calculations. Contact Jarvis representative for details.



Installation

Luminaire installs into standard 12" and 16" canopy deck pans by drilling a 2" hole in the center of the location where the luminaire is to be installed. Luminaire is attached to canopy using stainless-steel self-tapping screws (provided with luminaire.) Integrated gaskets on top side of luminaire automatically seal canopy during most installations. JDS series features a 3/4" NPT female threaded connection on top of the fixture. Luminaire is provided with a minimum of 5.9" of wire exiting through this sealed connection. Typical wiring method is to attach a 4" conduit section to this threaded connection and to install a weatherproof box on top of this conduit. Electrical connections are made inside weatherproof box.

Luminaire may also be pendant-mounted in accordance with local requirements. Contact a Jarvis Representative for full installation instructions, videos or additional information.

Retrofit Applications

JDS Series is designed to work in both new installations and retrofit installations. A variety of retrofit kits are available which allow JDS Series to retrofit into virtually any existing canopy light. Some retrofit applications may not require additional kits and installations may be accomplished without any additional luminaire hardware. Contact a Jarvis representative for more info and for advice regarding specific applications.

Accessories:

Part Number	Description
ACR205	Canopy Retrofit Panel for 20.5" square lights
ACR2075	Canopy Retrofit Panel for 20.75" square lights
ACR215	Canopy Retrofit Panel for 21.5" square lights
ACR22	Canopy Retrofit Panel for 22x13" rectangular lights
ACR22.5	Canopy Retrofit Panel for 22.5" square lights
ACB235	Blank Out Panel – 23.5" square – To 'blank out' and cover stain from removed 2x2 lights
ACC235	Cover Panel – 23.5" square – Panel is for use when removing an existing 2x2 light and installing a JDS series fixture directly to the canopy. Panel covers existing stain left by removed 2x2 light

Photometrics

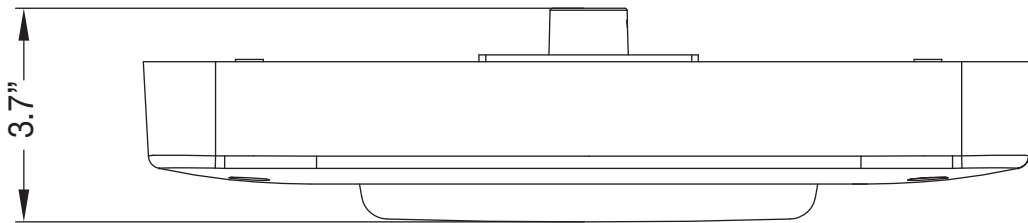
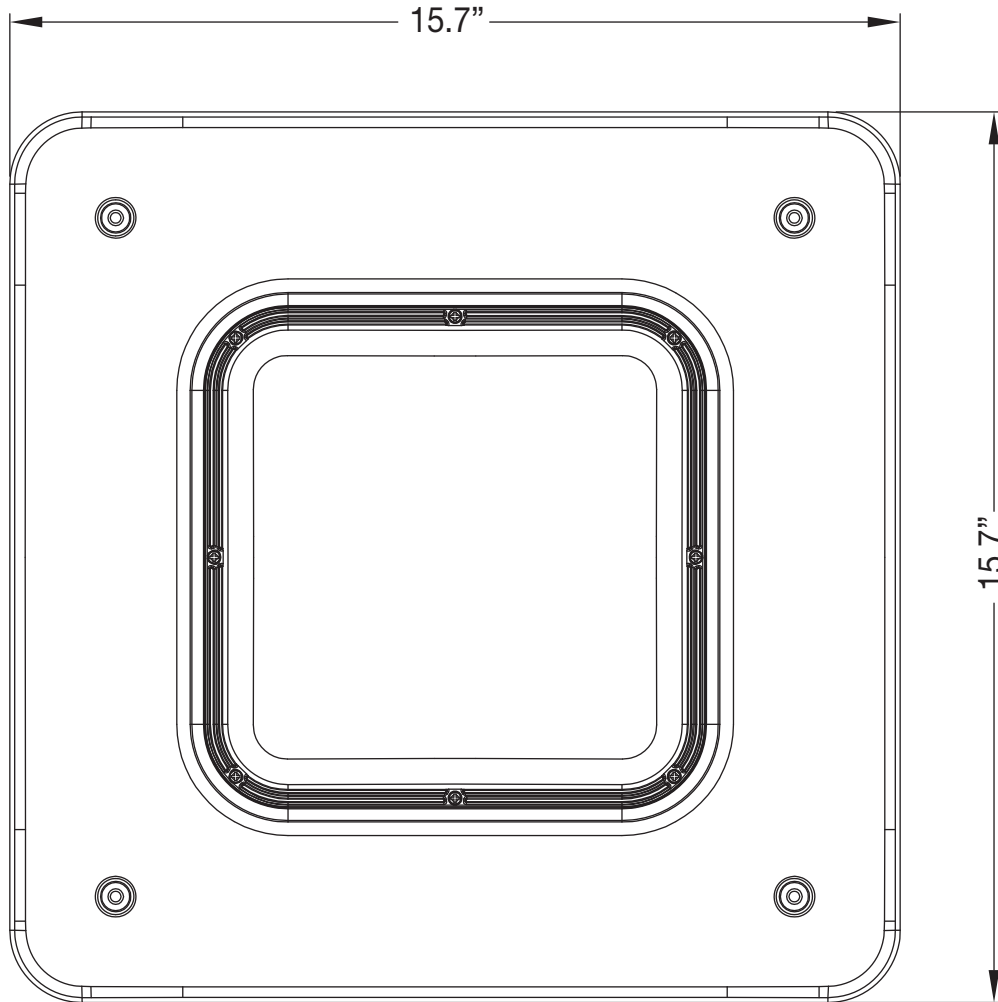
Photometric information, including LM-79 reports and .IES files are available for most models at www.jarvislighting.com. Site photometrics and lighting layouts are available. Contact a Jarvis representative.



Product Weight:

Catalog #	Weight
JDS-12L-50K-WHT	11.9lbs
JDS-20L-50K-WHT	12.2lbs

Dimensions



BRIGHT DONE RIGHT™

