

HBR-G2 Series LED Round High Bay



Product Highlights

- Compatible with Jarvis Link networked lighting control systems
- Z10 ready
- 0-10V dim-to-off + 12v auxiliary power for accessories
- 140 lm/w efficacy
- 10 year warranty

Jarvis HBR-G2 Series

Z10 accessory ready

Optical diffuser improves eye comfort and reduces glare

Housing built from durable stamped steel with integrated thermal management for increased fixture longevity

Competitors' Products

Limited sensor options available and difficult to install

Poor optics produce a high level of unwanted glare

Fixture runs at a higher operating temperature increasing wear on electrical components and reduces fixture's lifetime

Ordering Guide: HBR-G2-13ML20-30K/35K/40K/50K-90-WHT-Z10R

Product Family	Lumen Output / Wattage	CCT	Beam Angle	Housing Color	Dimming/ Control
HBR-G2 UFO Highbay	13ML20 - 13,000lm / 80W <i>(Selectable)</i> 15,400lm / 110W 20,000lm / 150W	30K/35K/ 40K/50K - 3000K / 3500K / 4000K / 5000K Adjustable CCT	90 - 90° beam angle	WHT - White	Z10R - Z10 Ready
	23ML30 - 23,100lm / 165W <i>(Selectable)</i> 26,600lm / 190W 30,800lm / 220W			BLK - Black	

Variants in blue are typically quick ship items. Other variants are typically special order with longer lead time.

Additional Field Installed Accessories

Catalog #	Description
JL-Z10-SPM-INT-WHT-V1	Jarvis Link Z10 Interior Bluetooth PIR Motion Sensor + Photocell (White Color) - 40ft Max Mounting Height*
JL-Z10-WCM-WHT-V1	Jarvis Link Z10 Bluetooth Wireless Control Module (White Color)*
S-Z10-SPM-EXT-WHT-V1	Remote Programmable PIR Z10 Motion Sensor + Photocell (White Color) - 40ft Max Mounting Height
S-Z10-SPM-EXT-WHT-V2	Remote Programmable Microwave Z10 Motion Sensor + Photocell (White Color) - 40ft Max Mounting Height

*Jarvis Link System requires prior training with Jarvis representative

**A315 Remote

Electrical

Input Voltage: 120-277V 50/60Hz

Power Factor: >.9 at full load

Total Harmonic Distortion: <20% full load

Operating Temperature Range: -20°C to 45°C Ambient (-4°F to 113°F)



Controls and Dimming

0-10V dimming leads are default on all 120-277V input models and accessible outside the fixture body with a 2ft cable.

The power supply is capable of providing 12VDC auxiliary output power for a variety of accessories.

The HBR-G2 Z10R models features a dim-to-off driver and a Z10 receptacle. They are compatible with Jarvis Lighting networked lighting control system. This system allows the lights to communicate with each other via Bluetooth® signal. Systems are typically capable of grouping, controlling and dimming lights through a number of methods including motion sensors, photo sensors, schedules, manual Bluetooth switches and more.

The HBR-G2 Series is compatible with many other photosensors and motion sensor systems. Contact a Jarvis representative for more information.

DLC Product ID and Specifications:

Catalog #	DLC Product ID	Input	Power	Lumens	CCT	CRI	PF
HBR-G2-13ML20-30K/35K/40K/50K-90-WHT-Z10R	S-6QC00F	120-277V 50/60Hz	80W / 110W / 150W	13,000 / 15,400 / 20,000 lm	3000K / 3500K / 4000K / 5000K	≥ 80	≥ 0.9
HBR-G2-23ML30-30K/35K/40K/50K-90-WHT-Z10R	S-J1MHVR	120-277V 50/60Hz	165W / 190W / 220W	23,100 / 26,600 / 30,600 lm	3000K / 3500K / 4000K / 5000K	≥ 80	≥ 0.9

Factory default setting listed in bold

Construction and Materials

Housing is constructed from stamped steel with integrated thermal management design. The housing features a powdercoat finish. Powdercoat finish is applied directly to housing and will not crack or peel. Default color is white. Custom colors are available. Contact the factory for additional color information.

Features driver with 4KV built-in surge protection

Lens construction is polycarbonate with glare reduction optics and a 90° beam angle

LEDs are reflow soldered to a metal core circuit board, providing greater thermal transfer than standard circuit board materials.

Luminaire's construction contains zero mercury

Fasteners are stainless-steel and will not rust or create rust-streaks

Regulatory and Voluntary Qualifications

UL listed to UL 1598 and UL 8750 for both US and Canada

State of California Title 24 Compliant when installed in accordance with local requirements

DesignLights Consortium® (DLC) Premium qualified product. Not all versions of this product may be DLC qualified. Please check the DLC Qualified Products List at www.designlights.org/QPL to confirm which versions are qualified.

Rated for Dry and Damp Locations

Warranty and Lifetime

HBR-G2 Series carries a 10-year limited warranty.

Contact Jarvis representative for details.

Projected LED lifetime exceeds 50,000 hours under most operating conditions. Lifetime projections are calculated using data including LM-79, LM-80 and TM-21 calculations. Contact Jarvis representative for details.

Installation

Luminaire can be installed via included hook or pendant mount. Surface mount solutions are available, contact a Jarvis representative for more information. Luminaire features a 5' power cable. Dimming and 12v aux power wires are pre-wired to the Z10 receptacle or sensor accessory for ease of installation.

When installing the Z10 compatible accessories, the receptacle cover cap must first be removed. Z10 compatible accessories must be inserted and rotated until locked into place on the receptacle.

Contact a Jarvis representative for full installation instructions, videos, or additional information.

Photometrics

Photometric information, including LM-79 reports and .IES files are available for most models at www.jarvislighting.com. Site photometrics and lighting layouts are available. Contact a Jarvis representative.

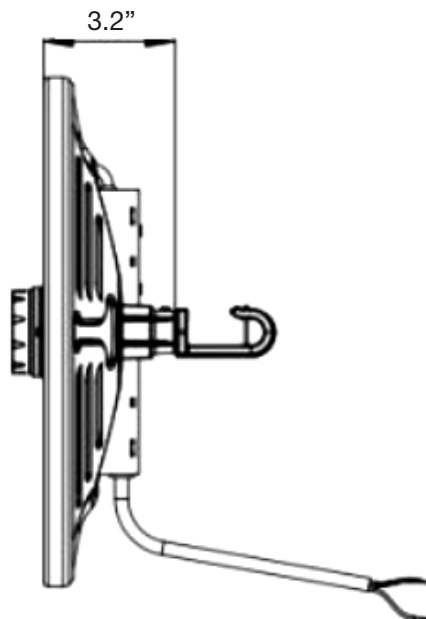
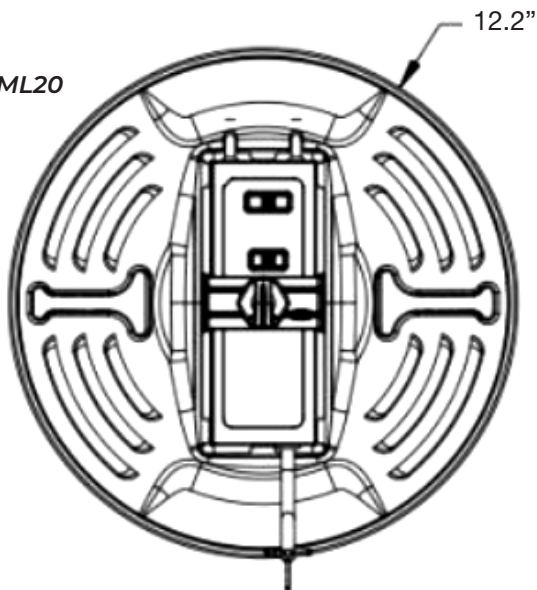


Product Weight:

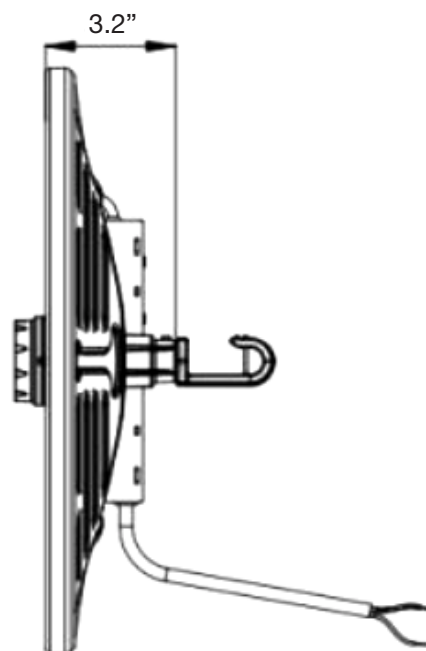
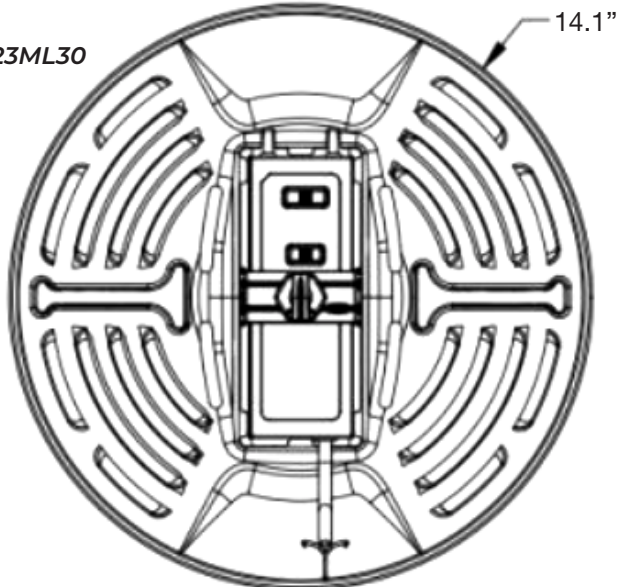
Catalog #	Weight
HBR-G2-13ML20	3.3lbs
HBR-G2-23ML30	4.4lbs

Dimensions:

HBR-G2-13ML20



HBR-G2-23ML30



BRIGHT DONE RIGHT™

