

FL Series LED Flood Luminaire



Jarvis FL Series

Glass lens will never yellow

UV-resistant powdercoat finish avoids fading and flaking

Die-cast housing is constructed to prevent dirt from building up

120-277V input voltage

Built in surge protection

Competitors' Products

Plastic lens will yellow over time, especially if luminaire is positioned in direct sunlight

Powdercoat may fade or flake

Complicated heat sink designs trap dirt and debris

Single input voltage

Surge protection not included



Most Popular Models and Specifications:

Model	Description	Input	Power	Lumens	CCT	CRI	PF
FL-S-100-50K-UV-BRZ-KM	Knuckle Mount	120-277V 50/60Hz	30W	4,110	5000K	≥ 70	≥ 0.9
FL-S-100-50K-UV-BRZ-KM-PC	Knuckle Mount w/Integral Photo Cell	120-277V 50/60Hz	30W	4,110	5000K	≥ 70	≥ 0.9
FL-S-150-50K-UV-BRZ-KM	Knuckle Mount	120-277V 50/60Hz	45W	5,850	5000K	≥ 70	≥ 0.9
FL-S-150-50K-UV-BRZ-KM-PC	Knuckle Mount w/Integral Photo Cell	120-277V 50/60Hz	45W	5,850	5000K	≥ 70	≥ 0.9
FL-S-200-50K-UV-BRZ-KM	Knuckle Mount	120-277V 50/60Hz	60W	7,380	5000K	≥ 70	≥ 0.9
FL-S-200-50K-UV-BRZ-KM-PC	Knuckle Mount w/Integral Photo Cell	120-277V 50/60Hz	60W	7,380	5000K	≥ 70	≥ 0.9
FL-L-300-50K-UV-BRZ-SFM	Slipfitter Mount	120-277V 50/60Hz	90W	12,060	5000K	≥ 70	≥ 0.9
FL-L-300-50K-UV-BRZ-SFM-PC	Slipfitter Mount w/Integral Photo Cell	120-277V 50/60Hz	90W	12,060	5000K	≥ 70	≥ 0.9
FL-L-350-50K-UV-BRZ-SFM	Slipfitter Mount	120-277V 50/60Hz	120W	15,240	5000K	≥ 70	≥ 0.9
FL-L-350-50K-UV-BRZ-SFM-PC	Slipfitter Mount w/Integral Photo Cell	120-277V 50/60Hz	120W	15,240	5000K	≥ 70	≥ 0.9

Electrical

Input Voltage: 120-277V 50/60Hz

Power Factor: >.9 at full load

Total Harmonic Distortion: <20% full load

Includes over voltage protection, over current protection, and short circuit protection

Operating Temperature Range: -35°C to 40° C Ambient (-35°F to 104°F)

Over Temperature Protection: Light fixture automatically reduces power level when operating in higher temperatures to ensure componentry does not overheat. Full power levels are resumed automatically when temperatures return to rated operating range.

Controls and Dimming

0-10V dimming leads are default on all 120-277V input models and accessible inside fixture body.

Twist Lock Photo Controller

FL Series can be ordered with an integrated twist lock photo controller. The twist lock photo controller is IP65 rated and will turn the fixture on or off based on ambient light levels.

The FL Series is also compatible with many other photosensors and motion sensor systems. Contact a Jarvis representative for more information.

Twist Lock
Photo
Controller



Construction and Materials

Housing is constructed from die-cast aluminum. The FL-S models feature a knuckle mount, while the FL-L models feature an adjustable slipfitter mount.

Die-cast housing features a powdercoat finish with UV protection to ensure longevity of color. Powdercoat finish is applied directly to aluminum housing and will not crack or peel. Default color is bronze. Custom colors are available. Contact factory for additional color information

LEDs are reflow soldered to a metal core circuit board, providing greater thermal transfer than standard circuit board materials. Thermally-conductive material is positioned between LEDs and housing to provide increased thermal transfer

Lens construction is ultra-clear tempered glass

Luminaire's construction contains zero mercury

Fasteners are stainless-steel and will not rust or create rust-streaks

FL-L Series





Regulatory and Voluntary Qualifications

ETL listed to UL1598 and UL8750 for both US and Canada

State of California Title 24 Compliant when installed in accordance with local requirements

Rated for Wet and Dry Locations

Warranty and Lifetime

FL Series carries a 10-year warranty, photo sensor warranty may differ from fixture. Contact Jarvis representative for details.

Projected LED lifetime is 50,000 - 100,000 hours under most operating conditions. Lifetime projections are calculated using data including LM-79, LM-80 and TM-21 calculations. Contact Jarvis representative for details.

Installation

FL-L models can be installed onto round pole-top, tenon or pipe-stub up to 2.4" in diameter, with the slipfitter mount. Luminaire ships with at least 6" of wire protruding from slipfitter to allow for ease of wiring. Slipfitter features 180° adjustability.

FL-S models can be installed into any 1/2" NPS thread with the adjustable knuckle mount. Luminaire ships with at least 3" of wire protruding from the mounting arm to allow for ease of wiring. Knuckle mount features 180° adjustability.

Contact a Jarvis Representative for full installation instructions, videos or additional information.

Accessories

Jarvis Lighting manufactures a full line of mounting tenons compatible with the FL-L models. Available accessories include single, double, triple and quadruple tenons in multiple configurations. Short and long tenons are available. Wall mount brackets are available. Contact a Jarvis representative for information regarding our full selection of tenons.

FL-S Series

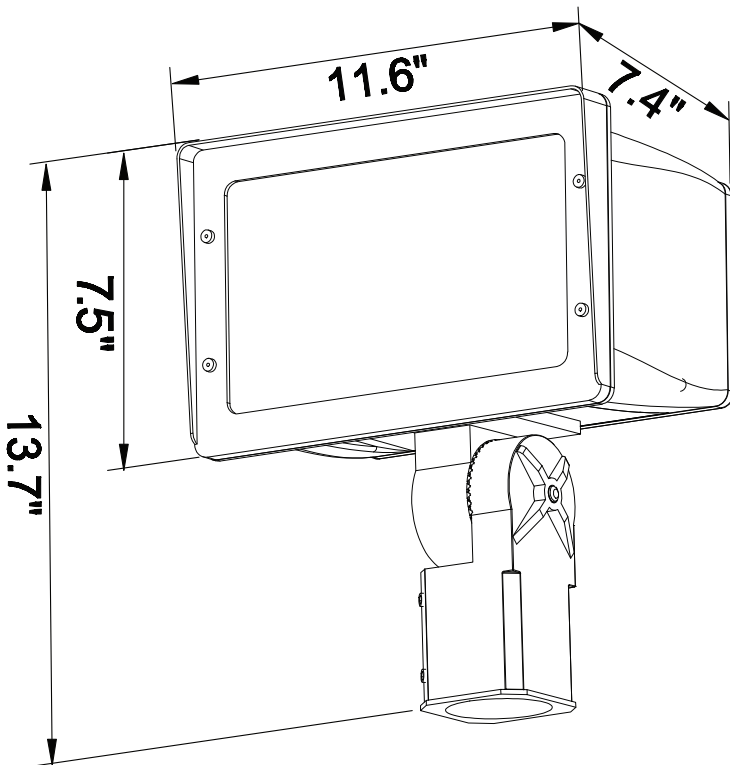


Light Poles

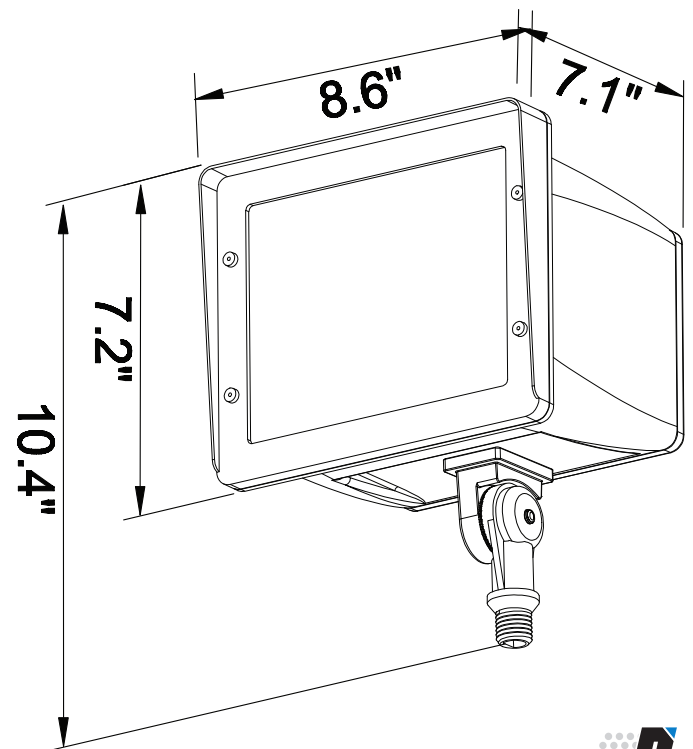
Jarvis Lighting manufactures light poles that are compatible with the FL-L Series. Standard poles include 4" and 5" steel poles. Custom poles and aluminum poles are also available. Contact Jarvis representative for information regarding light poles.

Photometrics

Photometric information, including LM-79 reports and .IES files are available for most models at www.jarvislighting.com. Site photometrics and lighting layouts are available. Contact a Jarvis representative.



*FL-L Series
Dimensions*



*FL-S Series
Dimensions*



BRIGHT DONE RIGHT™

