

EXT-EMER Series LED Exit Sign and Emergency Light



Product Highlights

- LED indicator light & push button test switch
- Ultra visible 6" letter height
- Slim design thermoplastic housing can fit almost anywhere
- 90 minutes of emergency operation during power outage
- UL-94V-0 flame rating - flame retardant

Jarvis EXT-EMER Series

LEDs provide increased brightness and visibility to ensure clear and legible exit

LEDs provide increased brightness and visibility to ensure clear and legible exit signage

Competitors' Products

Alternate illumination sources provide less visible exit signage

Limited options available

Ordering Guide: Example: EXT-EMER-LL / EXT-EMER-LC-R

Product Family	EMER Light / Exit Sign / Combo Type	Exit Sign Color
EXT-EMER - Emergency Exit Sign and Lighting	SL - Small Emergency Light LL - Large Emergency Light SC - Small Emergency Light / Exit Sign Combo LC - Large Emergency Light / Exit Sign Combo E - Exit Sign	[Blank] - Emergency Light Only R - Red Exit Sign G - Green Exit Sign

Electrical

Input Voltage: 120/277V 50/60Hz

Power Factor: >.85 at full load

Total Harmonic Distortion: <20% full load

Operating Temperature Range: 5°C to 40° C Ambient (41°F to 104°F)

Controls and Dimming

0-10V Dimming is not available for this series.

Jarvis SKUs and Specifications:

Jarvis SKU	Description	Input	Wattage
EXT-EMER-SL	Small Emergency Light	120-277V 50/60Hz	2W
EXT-EMER-LL	Large Emergency Light	120-277V 50/60Hz	2.4W
EXT-EMER-SC-R	Small Combination Exit Sign / Emergency Light - Red	120-277V 50/60Hz	3W
EXT-EMER-LC-R	Large Combination Exit Sign / Emergency Light - Red	120-277V 50/60Hz	4W
EXT-EMER-E-R	Exit Sign - Red	120-277V 50/60Hz	1W

Construction and Materials

Housing is constructed from injection-molded thermoplastic ABS.

Features 2835 SMD LEDs.

Design features easy access test switch and charge indicator light.

3.6V Nickel Cadmium battery located inside the housing for emergency light and combination models.

1.2V Nickel cadmium battery located inside of the housing for exit sign models.

EMER-EXT emergency luminaires and combination models feature adjustable LED heads.



Regulatory and Voluntary Qualifications

UL listed to UL 924.

UL-94V-0 flame rating - fire-resistant.

Rated for Dry Locations.

Warranty and Lifetime

EMER-EXT Series carries a 1-year limited warranty.

Contact Jarvis representative for details.

Installation

EMER-EXT emergency luminaires can easily be wall mounted to an existing junction box via the included mounting kit. EMER-EXT combination models can easily be wall mounted or ceiling mounted to an existing junction box via the included mounting kit. EMER-EXT exit sign models can easily be wall mounted, ceiling mounted, or side mounted to an existing junction box via the included mounting kit. Ensure the battery unit is properly connected to the PC board. Then, confirm the indicator and test switch function as instructed in installation instructions. Exit arrows can be adjusted during installation to accurately reflect exit location. Exit sign models can be field adjusted between single or double sided signage.

Battery provides 90 minutes of backup emergency power. Recharge time is 24 hours.

Contact a Jarvis Representative for full installation instructions, videos or additional information.

Photometrics

Photometric information, including LM-79 reports and .IES files are available for most models at www.jarvislighting.com.

Site photometrics and lighting layouts are available.

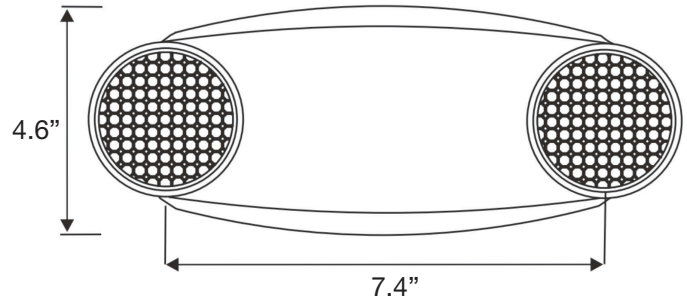
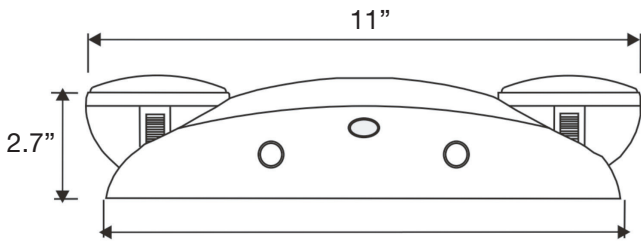
Contact a Jarvis representative.



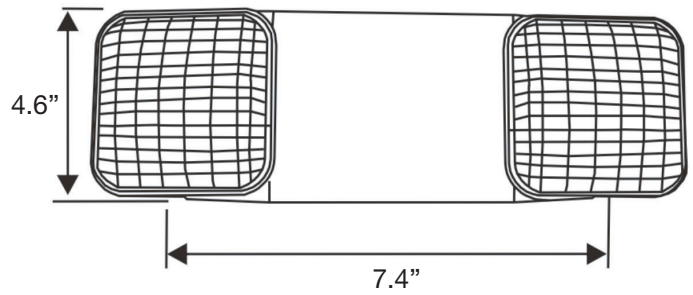
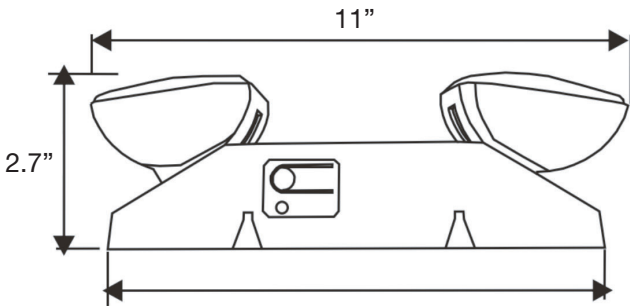
Dimensions:



EXT-EMER-SL



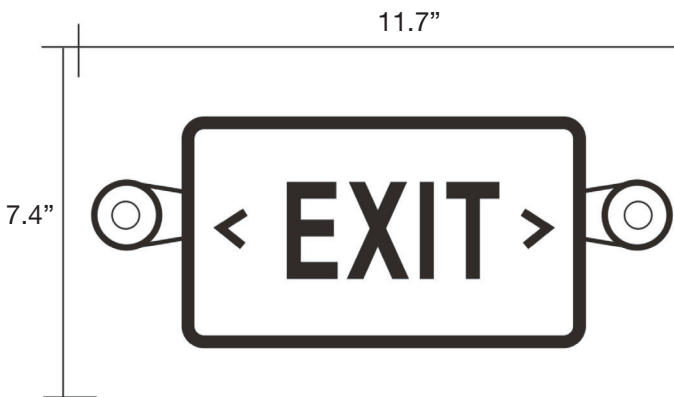
EXT-EMER-LL



EXT-EMER-E-R (depth 1.8")



EXT-EMER-SC-R (depth 1.8")



EXT-EMER-LC-R (depth 2.7")



BRIGHT DONE RIGHT™

