

CL Series LED Surface Mount Canopy Luminaire



Jarvis CL Series

Unique optic design increases light spread with minimal glare

UV-resistant powdercoat finish avoids fading and flaking

Available with either “never yellow” glass lens or tamper proof polycarbonate lens

Competitors' Products

Optics have narrow light spread or feature unwanted glare

Powdercoat may fade or flake

Only 1 lens option available means it isn't suited for all applications



Most Popular Models and Specifications:

Catalog #	Description	Input	Power	Lumens	CCT	CRI	PF	DLC
CL-100-P-[BRZ,WHT]	Slim Canopy Light with Shatter Resistant Polycarbonate Lens	120-277V 50/60Hz	28W	2,998 lm	5000K	≥ 80	≥ 0.9	N/A
CL-100-G-[BRZ,WHT]	Slim Canopy Light with Tempered Glass Lens	120-277V 50/60Hz	28W	2,998 lm	5000K	≥ 80	≥ .9	Standard
CL-175-P-[BRZ,WHT]	Slim Canopy Light with Shatter Resistant Polycarbonate Lens	120-277V 50/60Hz	40W	4,964 lm	5000K	≥ 80	≥ .9	N/A
CL-175-G-[BRZ,WHT]	Slim Canopy Light with Tempered Glass Lens	120-277V 50/60Hz	40W	4,964 lm	5000K	≥ 80	≥ .9	Standard
CL-250-P-[BRZ,WHT]	Slim Canopy Light with Shatter Resistant Polycarbonate Lens	120-277V 50/60Hz	55W	6,507 lm	5000K	≥ 80	≥ .9	N/A
CL-250-G-[BRZ,WHT]	Slim Canopy Light with Tempered Glass Lens	120-277V 50/60Hz	55W	6,507 lm	5000K	≥ 80	≥ .9	Standard

Electrical

Input Voltage: 120-277V 50/60Hz

Power Factor: >.9 at full load

Total Harmonic Distortion: <20% full load

Operating Temperature Range: -40° to 40° Ambient (-40° to 104°)

Includes over voltage protection, over current protection, and short circuit protection

Controls and Dimming

1-10V dimming leads are default on all 120-277V input models and accessible inside fixture body.

The A313 PhotoMotion™ side mount sensor kit is compatible with the CL series and can be added to any CL fixture order. The IP65 rated PhotoMotion™ sensor utilizes line voltage On/Off switching and 1-10V dimming to provide multi-level control based on both motion and/or ambient natural lighting levels.

The CL Series is also compatible with many other photosensors and motion sensor systems. Contact a Jarvis representative for more information.





Construction and Materials

Die-cast aluminum housing cast from 383 (ADC12) alloy.

Die-cast housing features a powdercoat finish with UV protection to ensure longevity of color. Powdercoat finish is applied directly to aluminum housing and will not crack or peel. Default color is bronze. White finish is also readily available as a standard color – please indicate at time of order by adding “-WHT” or “White” to the end of the part number. Custom colors are available. Contact factory for additional color information.

The fixture has 2 lens options. The default lens is constructed from high-clarity prismatic tempered glass. A tamper and shatter resistant polycarbonate lens is also readily available as a standard option - please indicate at time of order by adding “-P-” or “Plastic” to the part number before the housing color.

Optical unit is constructed with a reflective-coated internal reflector.

Luminaire’s construction contains zero mercury

Fasteners are stainless-steel and will not rust or create rust-streaks

Regulatory and Voluntary Qualifications

ETL listed to UL1598 and UL8750 for both US and Canada.

American Recovery and Reinvestment Act Funding Compliant.

State of California Title 24 Compliant when installed in accordance with local requirements.

DesignLights Consortium® (DLC) Standard qualified product. Not all versions of this product may be DLC qualified. Please check the DLC Qualified Products List at www.designlights.org/QPL to confirm which versions are qualified.

Rated for Wet and Dry Locations.





Warranty and Lifetime

CL Series carries a 10-year warranty, sensors and photo control warranty may differ from fixture. Contact Jarvis representative for details.

Projected LED lifetime exceeds 75,000-100,000 hours under most operating conditions.

Lifetime projections are calculated using data including LM-79, LM-80 and TM-21 calculations. Contact Jarvis representative for details.

Installation

Luminaire can be installed via pendant mount or directly surface mounted. Conduit can enter from 1/2" knockouts on all 4 sides or top of fixture.

Contact a Jarvis Representative for full installation instructions, videos or additional information.

Accessories

Jarvis Lighting carries the A313 a compatible PhotoMotion™ side mount sensor kit for the CL series.

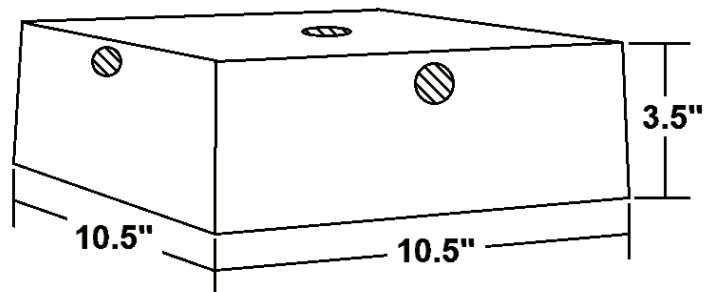
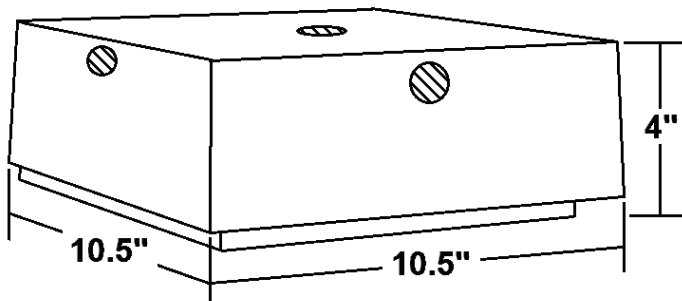
Contact a Jarvis representative for information regarding our PhotoMotion sensors.

Photometrics

Photometric information, including LM-79 reports and .IES files are available for most models at www.jarvislighting.com. Site photometrics and lighting layouts are available.

Contact a Jarvis representative.

Dimensions:



BRIGHT DONE RIGHT™

