

AL-EMER SERIES – SAFETY INSTRUCTIONS

IMPORTANT SAFEGUARDS – READ AND FOLLOW ALL SAFETY INSTRUCTIONS

1. Do not let power supply cords touch hot surfaces.
2. Do not mount near gas or electric heaters.
3. This emergency luminaire contains batteries. Use caution when servicing batteries. Battery acid can cause burns to skin and eyes. If acid is spilled on skin or in eyes, flush with fresh water and contact a physician immediately.
4. Equipment should be mounted in locations and at heights where it will not readily be subjected to tampering by unauthorized personnel.
5. The use of accessory equipment not recommended by the manufacturer may cause an unsafe condition. Do not use this equipment for other than intended use.

SAVE THESE INSTRUCTIONS

AL-EMER SERIES – INSTALLATION INSTRUCTIONS

Materials Required by Contractor:

- 90°C rated supply conductors
- Fasteners to mount luminaire to wall
- Silicone Sealant Caulk
- 5/32 hex key



Dark Sky
Orientation

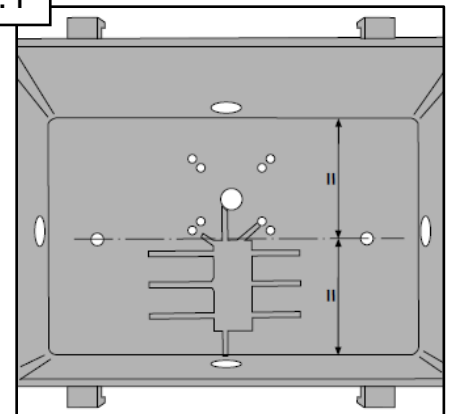


Forward Throw
Orientation

Before Starting Work:

- Ensure that all electrical connections are not live! Take all steps necessary to make sure that electrical connections will not become live accidentally during installation.
- Ensure input voltage is correct per ETL label on luminaire.
- Servicing to be performed by qualified service personnel ONLY.

Fig. 1

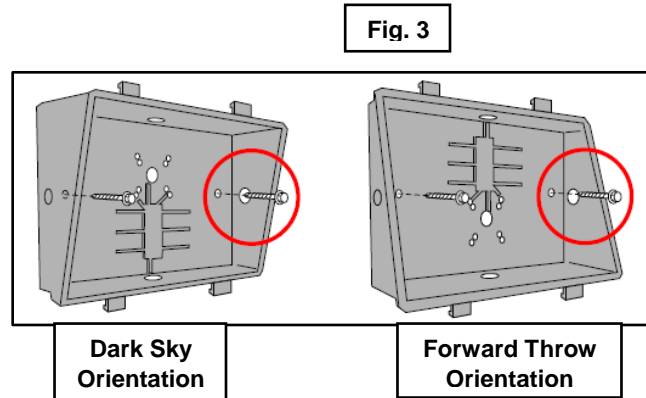
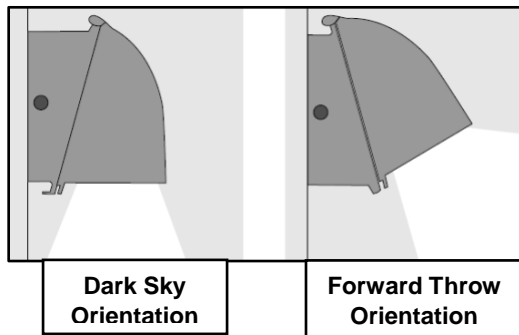


Installation Steps:

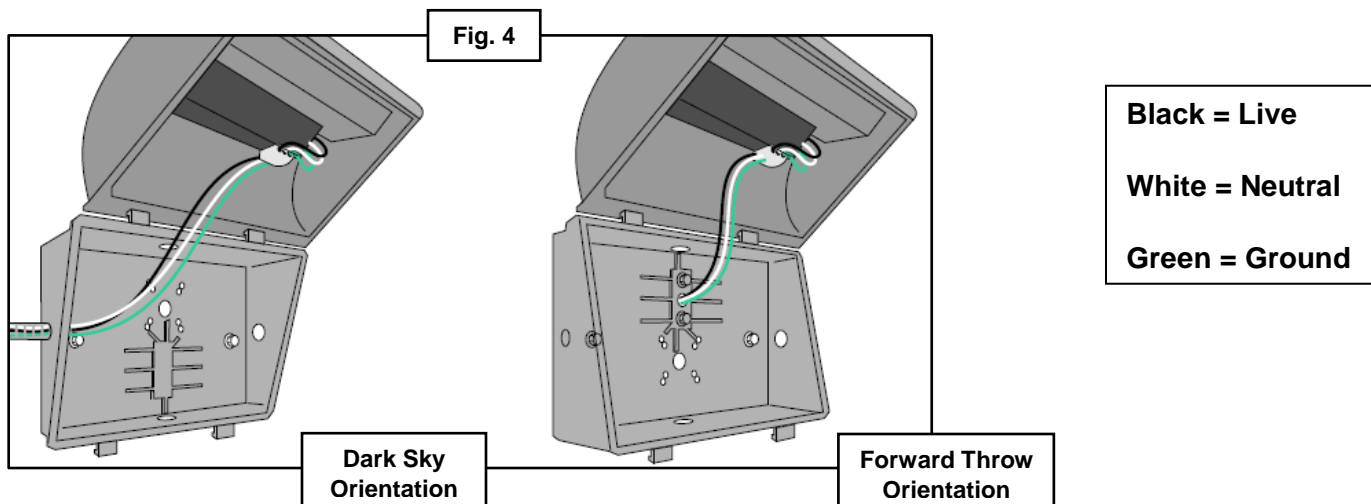
1. Remove two screws on side of wall pack, allowing the two sections of the wall pack to hinge apart. Separate two parts of wall pack.
2. Drill pilot holes in wall pack mounting plate; for ability to reverse orientation after initial installation, this is typically done halfway between the “long” and “short” end, equidistant from the other two

sides (Fig. 1). These will be used to fasten the wall pack to the wall.

- Determine if the fixture is to be installed in the “Forward Throw” or “Dark Sky” orientation (Fig. 2). Install wall pack’s mounting plate to surface of wall using appropriate fasteners (Fig. 3). Use silicone sealant over fasteners to ensure water cannot enter through mounting holes.
- Bring electrical to wall pack mounting plate. Seal all threads with silicone to ensure water cannot enter **Fig. 2** conduit entrances.



- Slide front section of luminaire down onto the wall pack mounting plate’s top hinges. Make all electrical connections as labeled on luminaire power supply (Fig. 4). Note: if ground connection is made through the electrical conduit, both ground tabs on luminaire must be connected with each other. This ensures that both sections of the wall pack are grounded. Use 90°C rated supply conductors.



- Secure plastic connectors together to ensure that the battery is connected to the emergency driver as intended. A single LED should illuminate until AC power is sent to the luminaire.
- Close up wall pack and reinstall screws to secure both sections of wall pack together. Check that seals are all properly positioned to ensure no water enters luminaire.

AL-EMER SERIES – OPERATION INSTRUCTIONS

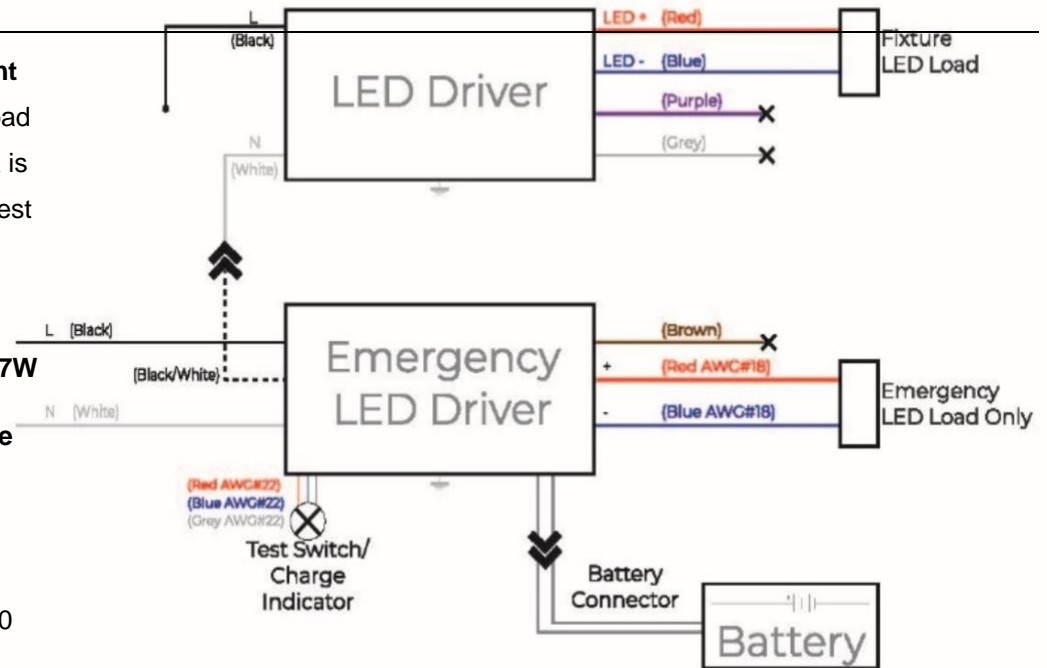
Normal Mode - AC Power Present

The AC driver operates the LED load as designed. The emergency pack is charging in a standby mode. The test button will be lit, indicating the presence of AC power.

Standby power consumption: 3.7W

Emergency Mode - Power Failure

In the event of a power failure, the LED emergency driver switches to emergency mode and operates alternate LEDs for a minimum of 90 minutes.



AL-EMER SERIES – MAINTENANCE INSTRUCTIONS

NFPA 101, Life Safety Code outlines the following schedule:

Monthly - Ensure that the test button light is illuminated. Conduct a 30 second discharge test by depressing the test button. The LED load should operate at reduced output (as it would in Emergency Mode).

Annually - Ensure that the test button is illuminated. Conduct a full 90 minute discharge test. The unit should operate as intended for the duration of the test.

"Written records of the testing shall be kept by the owner for inspection by the authority having jurisdiction."

Testing procedures are as follows:

30 Second Discharge Test

Press the test button to cut the power to the AC driver and switch the system to Emergency Mode. Release the test button to return to Normal Mode.

90 Minute Discharge Test

Switch off the circuit breaker to simulate a full power outage.

Initial Testing

Allow the unit to charge approximately one hour, then conduct a short discharge test. Allow a 24 hour charge before conducting a one hour test.

Servicing to be performed by qualified service personnel only!