

# A51 Series LED High Bay Luminaire



## Jarvis A51 Series

UV-resistant lens maintains clarity

Cooler operating temperatures because of heat-radiating thermal coating

Power supply is balanced on center of fixture so fixture hangs straight

## Competitors' Products

Lenses may yellow over time

No heat-radiating thermal coating

Power supply is not centered, so fixtures need to be balanced to hang straight



## Most Popular Models and Specifications:

Model #	Description	Input	Power	Lumens	CCT	CRI	PF
A51-S-100W-50K-110	100W High Bay w/110° Beam Angle	100-277V 50/60Hz	100W	13,000	5000K	≥ 80	≥ 0.9
A51-150W-50K-110	150W High Bay w/110° Beam Angle	100-277V 50/60Hz	150W	19,500	5000K	≥ 80	≥ 0.9
A51-240W-50K-110	240W High Bay w/110° Beam Angle	100-277V 50/60Hz	240W	31,200	5000K	≥ 80	≥ 0.9



## Electrical

**Input Voltage:** 100-277V 50/60Hz

**Power Factor:** >.9 at full load

**Total Harmonic Distortion:** <20% full load

Includes over voltage protection, over current protection, and short circuit protection

**Operating Temperature Range:** -40°C to 45° C Ambient (-40°F to 113°F)

## Controls and Dimming

1-10V dimming leads are default on all 100-277V input models and accessible outside fixture body.

The A320 PhotoMotion™ sensor kit is compatible with the A51 series and can be added to any A51 fixture order. The IP65 rated PhotoMotion™ sensor utilizes line voltage On/Off switching and 1-10V dimming to provide multi-level control based on both motion and/or ambient natural lighting levels.

The A51 Series is also compatible with many other photosensors and motion sensor systems. Contact a Jarvis representative for more information.

## Construction and Materials

Housing is constructed from die-cast aluminum

Die-cast housing features a powdercoat finish. Powdercoat finish is applied directly to aluminum housing and will not crack or peel. Default color is black. Custom colors are available. Contact factory for additional color information.

Lens construction is tempered glass

Luminaire's construction contains zero mercury

Fasteners are stainless-steel and will not rust or create rust-streaks

## Regulatory and Voluntary Qualifications

UL listed to UL1598 and UL8750 for both US and Canada

State of California Title 24 Compliant when installed in accordance with local requirements

DesignLights Consortium® (DLC) Premium qualified product. Not all versions of this product may be DLC qualified. Please check the DLC Qualified Products List at [www.designlights.org/QPL](http://www.designlights.org/QPL) to confirm which versions are qualified.

Rated for Wet and Dry Locations

Certain models qualify as assembled in Illinois.

Contact a Jarvis representative for more information



## Warranty and Lifetime

A51 Series carries a 10-year warranty, sensors and photo control warranty may differ from fixture. Contact Jarvis representative for details.

Projected LED lifetime exceeds 100,000 hours under most operating conditions. Lifetime projections are calculated using data including LM-79, LM-80 and TM-21 calculations. Contact Jarvis representative for details.

## Installation

Luminaire can be installed via pendant mount or included hook.

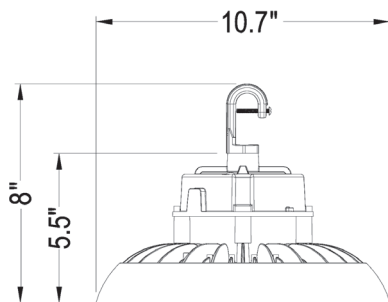
Contact a Jarvis Representative for full installation instructions, videos or additional information.

## Accessories

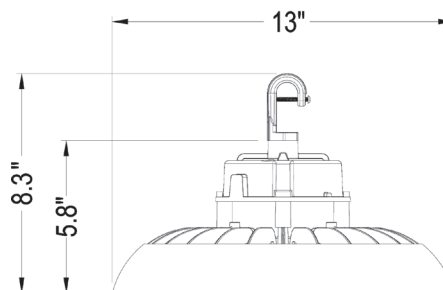
Jarvis Lighting carries the A320 a compatible PhotoMotion™ sensor kit for the A51 series. Contact a Jarvis representative for information regarding our PhotoMotion sensors.

## Photometrics

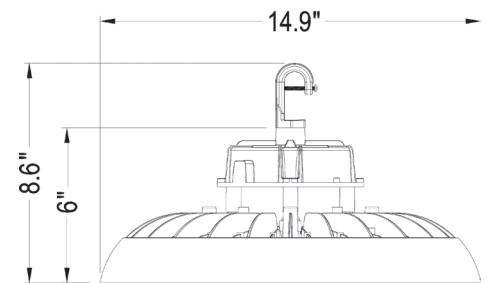
Photometric information, including LM-79 reports and .IES files are available for most models at [www.jarvislighting.com](http://www.jarvislighting.com). Site photometrics and lighting layouts are available. Contact a Jarvis representative.



A51-S-100W-50K-110



A51-150W-50K-110



A51-240W-50K-110



**BRIGHT DONE RIGHT™**

