

# A51-A Series LED High Bay Luminaire



## Product Highlights

- Impact resistant lens designed for maximum illumination
- Round UFO design for easy installation
- 0-10V dim-to-off + 12v auxiliary power for accessories
- Compatible with Jarvis Link networked lighting control systems
- Z10 Ready
- 10 Year Warranty



### Jarvis A51-A Series

Cooler operating temperatures because of unique heat-radiating fin design

Professional light distribution design with high lens pass rate ensure maximum illumination with reduced glare

Power supply is balanced on center of fixture so fixture hangs straight

### Competitors' Products

Not designed for improved thermal operating temperature reduces fixture lifetime

Poor optics produce a high level of unwanted glare

Power supply is not centered, so fixtures need to be balanced to hang straight

## Ordering Guide

Example: A51-A-22L-50K-90-DTO-Z10R

Product Family	Lumen Output	CCT	Beam Angle	Dimming Capability	Control	Factory Installed Accessories
A51-A	15L - 14,854 lumens	40K - 4000K	90 - 90° beam angle	DTO - 0-10V dim-to-off +12v Aux	Z10R - Z10 Receptacle Installed	+ A328M - Microwave PhotoMotion™ Sensor*
	22L - 22,887 lumens					
	30L - 30,903 lumens	50K - 5000K			[blank] - Without Z10 Receptacle	+ A336P - PIR PhotoMotion™ Sensor**
	36L - 36,238 lumens					

Variants in blue are typically quick ship items. Other variants are typically special order with longer lead time.

\* Requires A329 remote control for custom programming

\*\* Requires A315 remote control for custom programming

## Additional Field Installed Accessories:

Catalog #	Description
JL-Z10-SPM-INT-WHT-V1	Jarvis Link Z10 Interior Bluetooth PIR Motion Sensor + Photocell (White Color) - 40ft Max Mounting Height*
JL-Z10-WCM-WHT-V1	Jarvis Link Z10 Bluetooth Wireless Control Module (White Color)*
S-Z10-SPM-EXT-WHT-V1	Remote Programmable PIR Z10 Motion Sensor + Photocell (White Color) - 40ft Max Mounting Height
S-Z10-SPM-EXT-WHT-V2	Remote Programmable Microwave Z10 Motion Sensor + Photocell (White Color) - 40ft Max Mounting Height
A51-A-AC-GLBK-15L	Globe Reflector + Bottom Lens Accessory Kit for A51-A-15L
A51-A-AC-GLBK-22L	Globe Reflector + Bottom Lens Accessory Kit for A51-A-22L
A51-A-AC-GLBK-30L/36L	Globe Reflector + Bottom Lens Accessory Kit for A51-A-30L/36L
A51-A-AC-BBK-15L/22L/30L	30W Battery Backup Kit for A51-A-15L/22L/30L
A51-A-AC-BBK-36L	40W Battery Backup Kit for A51-A-36L

\*Jarvis Link System requires prior training with Jarvis representative

## Electrical

**Input Voltage:** 100-277V 50/60Hz

**Power Factor:** >.9 at full load

**Total Harmonic Distortion:** <20% full load

Includes over voltage protection, overcurrent protection, and short circuit protection.

**Operating Temperature Range:** -40°C to 45°C Ambient (-40°F to 113°F)



## Controls and Dimming

All A51-A “DTO” models feature a dim-to-off driver and 12v auxiliary power. Z10R models include a pre-installed Z10 receptacle and are compatible with networked lighting control systems.

These systems allow the lights to communicate with each other via Bluetooth® signal. Systems are typically capable of grouping, controlling and dimming lights through a number of methods including motion sensors, photo sensors, schedules, manual Bluetooth® switches and more.

All A51-A models are compatible with Jarvis Lighting’s PhotoMotion™ sensors. Both Microwave or PIR PhotoMotion™ sensors are available. PhotoMotion™ sensors provide multi-level control based on both motion and/or ambient natural lighting levels and can be custom programmed via remote control.

The A51-A Series is also compatible with many other photo sensors and motion sensor systems. Contact a Jarvis representative for more information.

## DLC Product ID and Specifications:

Jarvis Model #	DLC Product ID	Input	Power	Lumens	CCT	CRI	PF
A51-A-15L-50K-90-DTO-Z10R	S-J4FOC9	100-277V 50/60Hz	100W	14,854 lm	5000K	≥ 80	≥ 0.9
A51-A-22L-50K-90-DTO-Z10R	S-6FPRNC	100-277V 50/60Hz	150W	22,887 lm	5000K	≥ 80	≥ 0.9
A51-A-30L-50K-90-DTO-Z10R	S-EFG8PZ	100-277V 50/60Hz	200W	30,903 lm	5000K	≥ 80	≥ 0.9
A51-A-36L-50K-90-DTO-Z10R	S-NZ83BG	100-277V 50/60Hz	240W	36,238 lm	5000K	≥ 80	≥ 0.9

## Construction and Materials

Housing is constructed from die-cast aluminum.

Die-cast housing features a powdercoat finish. Powdercoat finish is applied directly to aluminum housing and will not crack or peel. Default color is black. Custom colors are available. Contact factory for additional color information.

Lens construction is a shatter resistant polycarbonate with a 90° beam angle.

LEDs are reflow soldered to a metal core circuit board, providing greater thermal transfer than standard circuit board materials. The LED circuit board is secured to fixture body by utilizing both stainless steel fasteners and thermally conductive tape to further increase thermal transfer and improve performance.

Luminaire’s construction contains zero mercury.

Fasteners are stainless-steel and will not rust or create rust-streaks.

Power supply features 12v auxiliary output power and 0-10V dim-to-off.

Z10 receptacle is pre installed into the center of the fixture.



## Regulatory and Voluntary Qualifications

UL listed to UL1598 and UL8750 for both US and Canada

State of California Title 24 Compliant when installed in accordance with local requirements

DesignLights Consortium® (DLC) Premium qualified product. Not all versions of this product may be DLC qualified. Please check the DLC Qualified Products List at [www.designlights.org/QPL](http://www.designlights.org/QPL) to confirm which versions are qualified.

Rated for Wet and Dry Locations

## Warranty and Lifetime

A51-A Series carries a 10-year warranty. Contact Jarvis representative for details.

Projected LED lifetime exceeds 50,000 hours under most operating conditions. Lifetime projections are calculated using data including LM-79, LM-80 and TM-21 calculations. Contact Jarvis representative for details.



## Installation

Luminaire can be installed via included hook or pendant mount. Luminaire features a 6' power cable. Dimming and 12v aux power wires are pre-wired to the Z10 receptacle or sensor accessory for ease of installation.

When installing the Z10 compatible accessories, the receptacle cover cap must first be removed. Z10 compatible accessories must be inserted and rotated until locked into place on the receptacle.

Contact a Jarvis representative for full installation instructions, videos, or additional information.

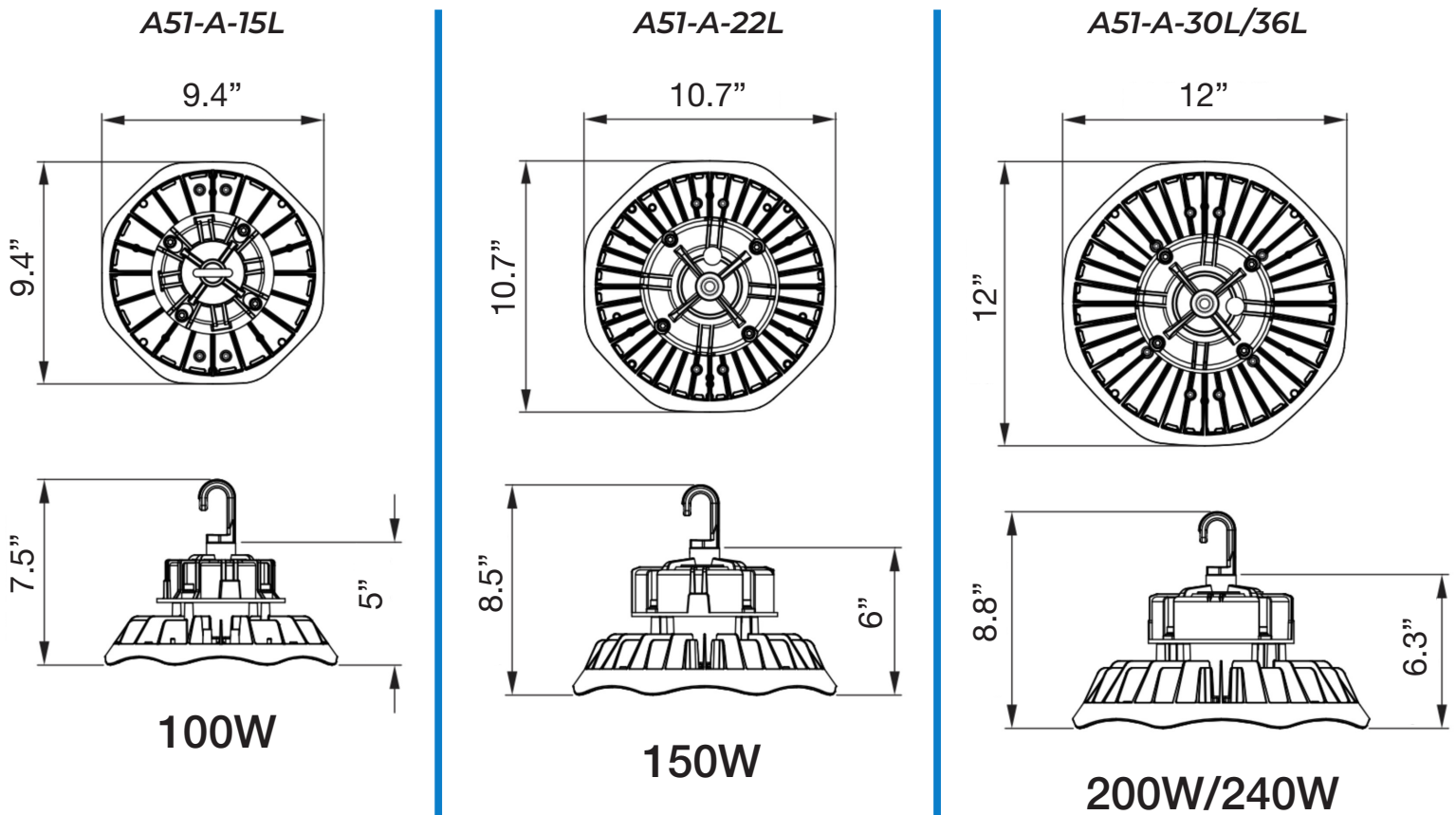
## Photometrics

Photometric information, including LM-79 reports and .IES files are available for most models at [www.jarvislighting.com](http://www.jarvislighting.com). Site photometrics and lighting layouts are available. Contact a Jarvis representative.

## Product Weight:

Part Number	Weight
A51-A-15L	4.0 lbs
A51-A-22L	5.5 lbs
A51-A-30L/36L	7.5 lbs

## Dimensions:



**BRIGHT DONE RIGHT™**

