

UFO High Bay



INSTRUCTION MANUAL

- Thank you for purchasing our UFO Highbay. Please read the below articles carefully to see how to use this product safely.
- Warning contents and attention contents related to product safety use, please be sure to follow it.

Warning

- This UFO High bay within the input voltage range: AC100-277V & AC277-480V & AC120-347V, 50/60Hz.
- If input voltage exceeds this range, it may cause tube failure. Please be sure to operate under correct input voltage.
- Ensure ambient operating temperature of -40°F(40°C) through 113°F(45°C).
- Using this UFO High bay in temperatures outside of this range will reduce the UFO High bay lifespan.
- Make sure to turn off power before starting the installation process.

Attention

- IP rating: IP65, can work under wet locations.
- Please keep the UFO High bay away from any corrosive substance. When you clean it, please use damp or dry cloth.

Model	UHB0710-100W-XXX-X-XXX UHB07B10-100W-XXX-X-XXX UHB07B10-100W-XXX-X-XXX(MS) UHB0710-100W-XXX-X-XXX-Z	UHB0715-150W-XXX-X-XXX UHB07B15-150W-XXX-X-XXX UHB07B15-150W-XXX-X-XXX(MS) UHB0715-150W-XXX-X-XXX-Z	UHB0720-200W-XXX-X-XXX UHB07B20-200W-XXX-X-XXX UHB07B20-200W-XXX-X-XXX(MS) UHB0720-200W-XXX-X-XXX-Z	UHB0724-240W-XXX-X-XXX UHB07B24-240W-XXX-X-XXX UHB07B24-240W-XXX-X-XXX(MS) UHB0724-240W-XXX-X-XXX-Z
Power	100W	150W	200W	240W
Input Current	1.1A	1.65A	2.2A	2.64A
Input Voltage	AC100-277V			
Frequency	50/60Hz			

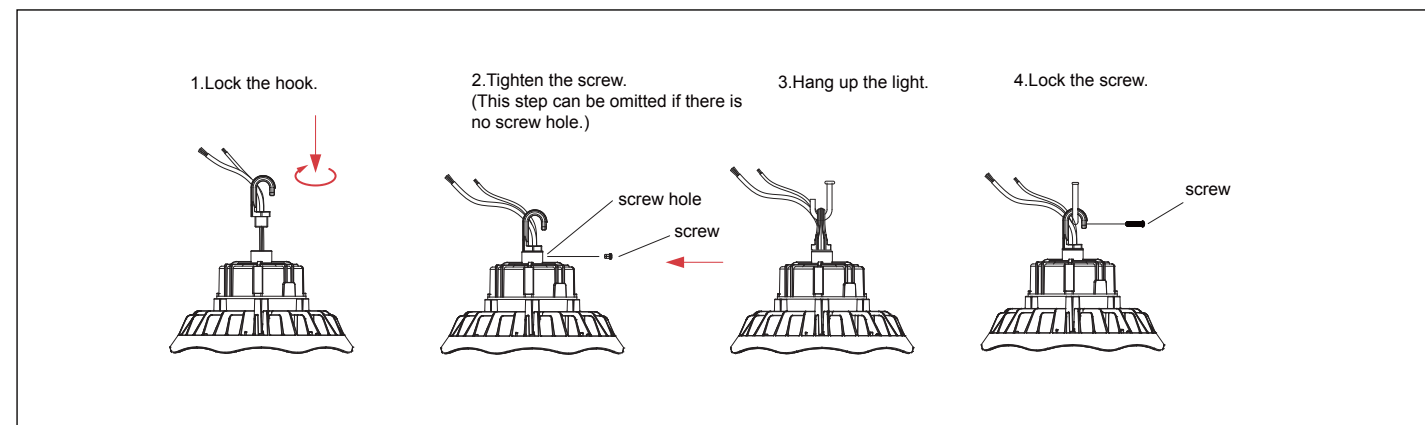
Model	UHB0710-100W-XXX-X-HV-XXX(XX)	UHB0715-150W-XXX-X-HV-XXX(XX)	UHB0720-200W-XXX-X-HV-XXX(XX)	UHB0724-240W-XXX-X-HV-XXX(XX)
Power	100W	150W	200W	240W
Input Current	0.4A	0.6A	0.8A	0.95A
Input Voltage	AC277-480V			
Frequency	50/60Hz			

Model	UHB0710-100W-XXX-X-MV-XXX(XX)	UHB0715-150W-XXX-X-MV-XXX(XX)	UHB0720-200W-XXX-X-MV-XXX(XX)	UHB0724-240W-XXX-X-MV-XXX(XX)
Power	100W	150W	200W	240W
Input Current	0.9A	1.4A	1.8A	2.2A
Input Voltage	AC120-347V			
Frequency	50/60Hz			

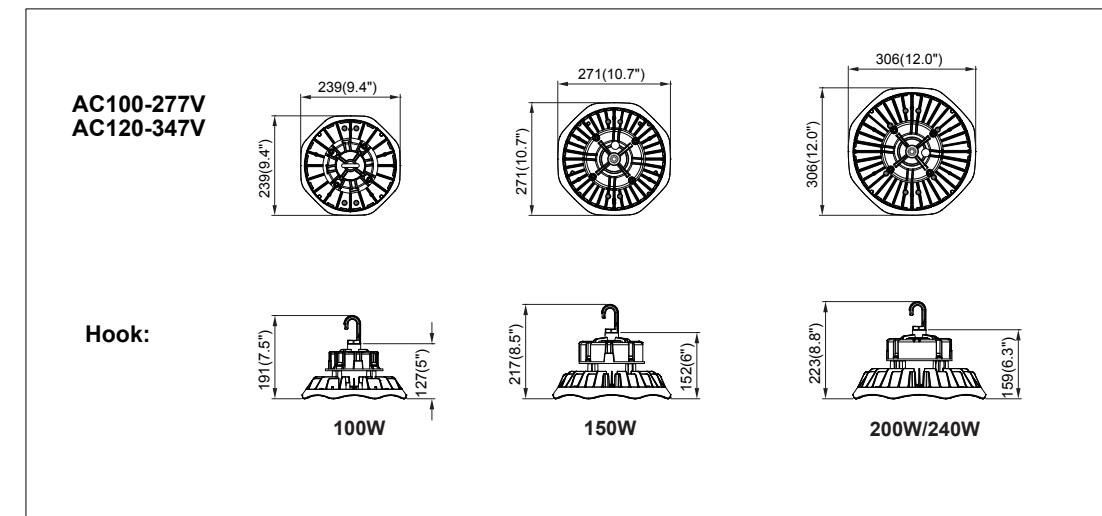
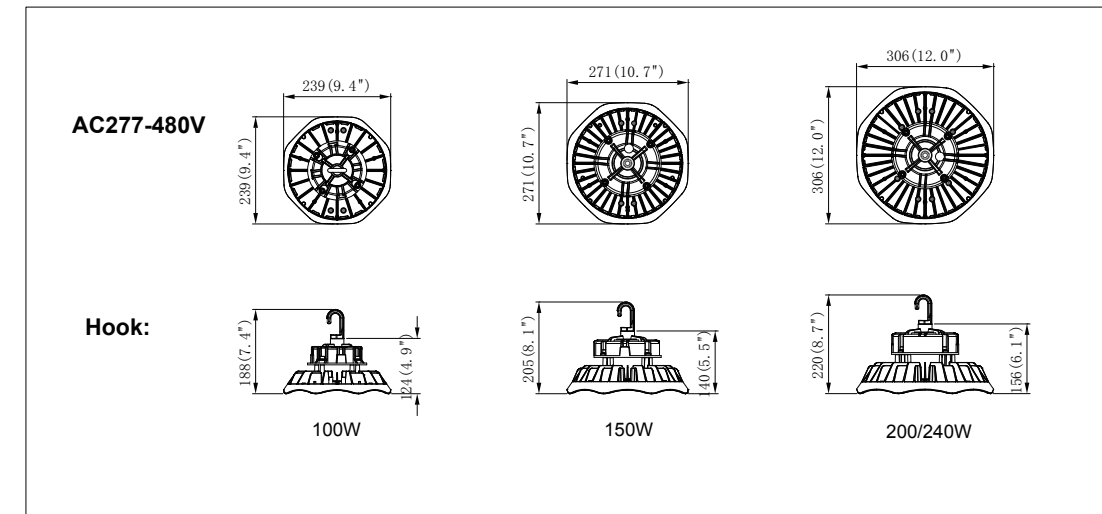
"XXX" can be any letter or number to represent the Light-emitting angle;
 "X" can be H, L or HY(Y=number) to represent the lighting effect (no effect to power);
 "XXX" can be 40K,50K,57K to indicate color temperature;
 "(XX)" can be "(MS)" for with Motion Sensor or blank for without Motion Sensor.

Installation Instruction

Hook type:



Product Dimension

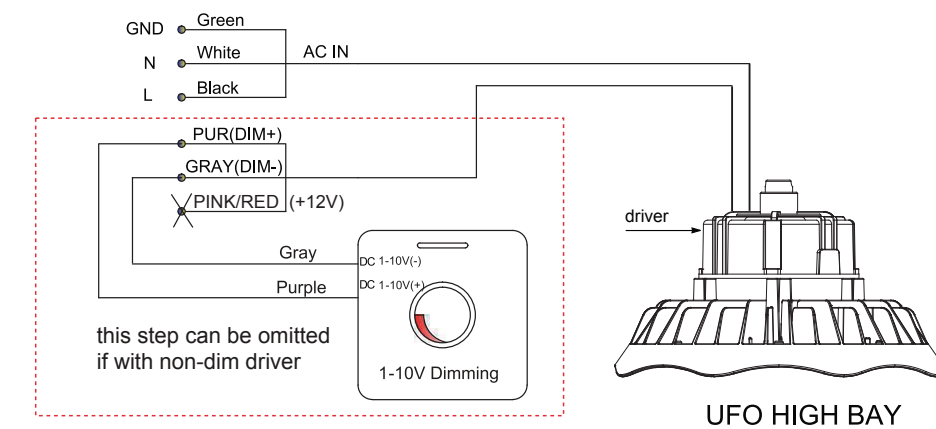


Wiring Connection

Turn off the power, connect AC wire. black wire to L, white wire to N, and green wire to E.

Dimmer connection (With dimmable driver.)

1. Compatible with 1-10V dimming.
2. Connect wires as below, purple wire is D +, gray wire is D -, cap black wire.



The Installation must be carried out by a qualified electrician.