

LINEAR LED STRIP

WARNING





- Risk of fire. Turn off power before installation.
- Risk of electronic shock. Install only by certified electrician with gloves.
- To be used in indoor dry and damp location only.
- If the luminaire exhibits undesirable operation (buzzing, flickering, not working etc.) ,immediately turn off power, remove luminaire and contact manufacturer.
- Do not make mass installation before testing.

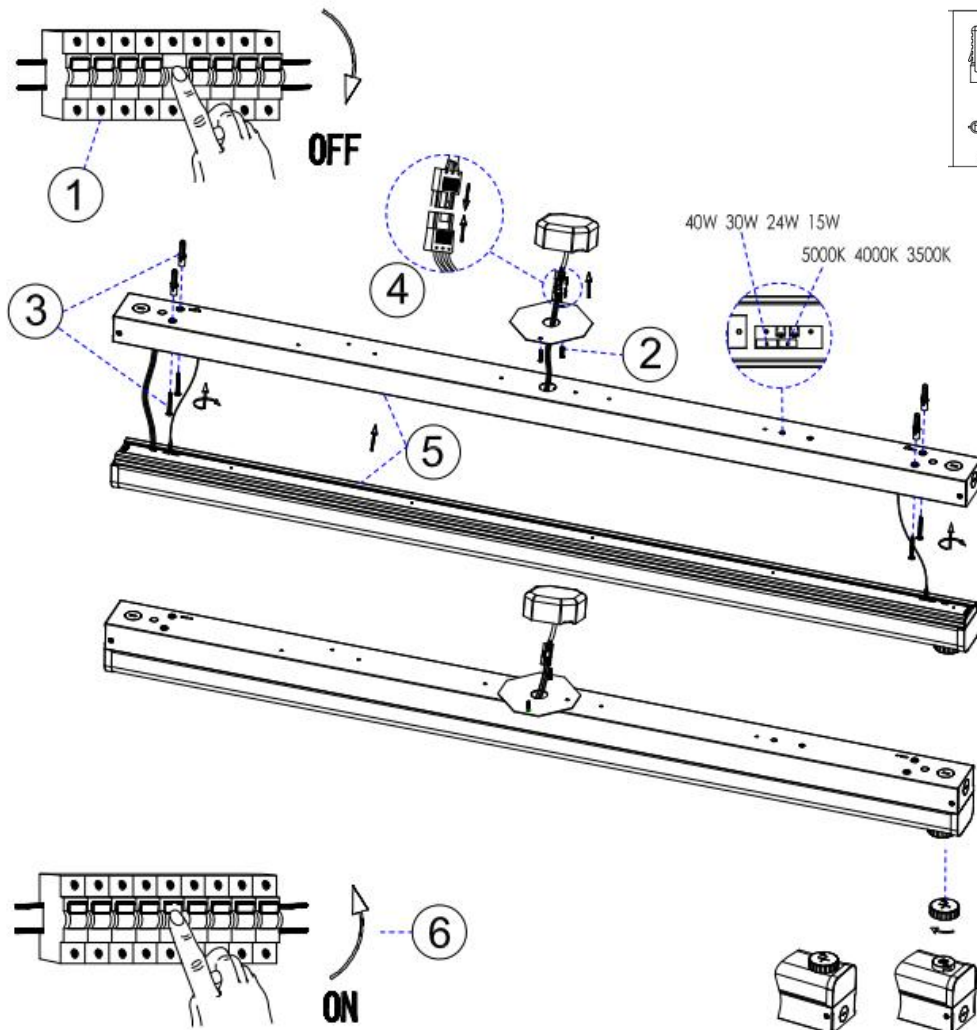


INSTALLATION FOR SURFACE MOUNTING

1. Disconnect or turn off power before installation, see step ①.
 2. Please use the junction box plate to cover an existing junction box, see step ② .
 3. Install the metal housing to the ceiling, see step ③.
 4. Adjust the wattages and CCT when necessary.
 5. Make the electrical connection to the fixture in accordance with local electrical code, see step ④.
- Make all necessary wiring connections, observing proper voltage and polarity.
6. Once the wiring is secured and clear. Push the lens assembly onto the metal housing, see step ⑤. Be careful not to pinch any wires.
 7. The Z10 receptacle is on the lens, install the Z10 sensor if necessary.
 8. Reconnect power, the light will be on, see step ⑥.
 9. Adjust settings of the Z10 sensors if desired. See separate instruction sheet for details.

Supplied Accessories

 x 4PCS	 x 4PCS	 x 1PCS	 x 2PCS
---	---	---	---



Information is subject to change without notice.

Jarvis Lighting
Add: 1058 National Parkway Schaumburg, IL 60173



LINEAR LED STRIP

WARNING

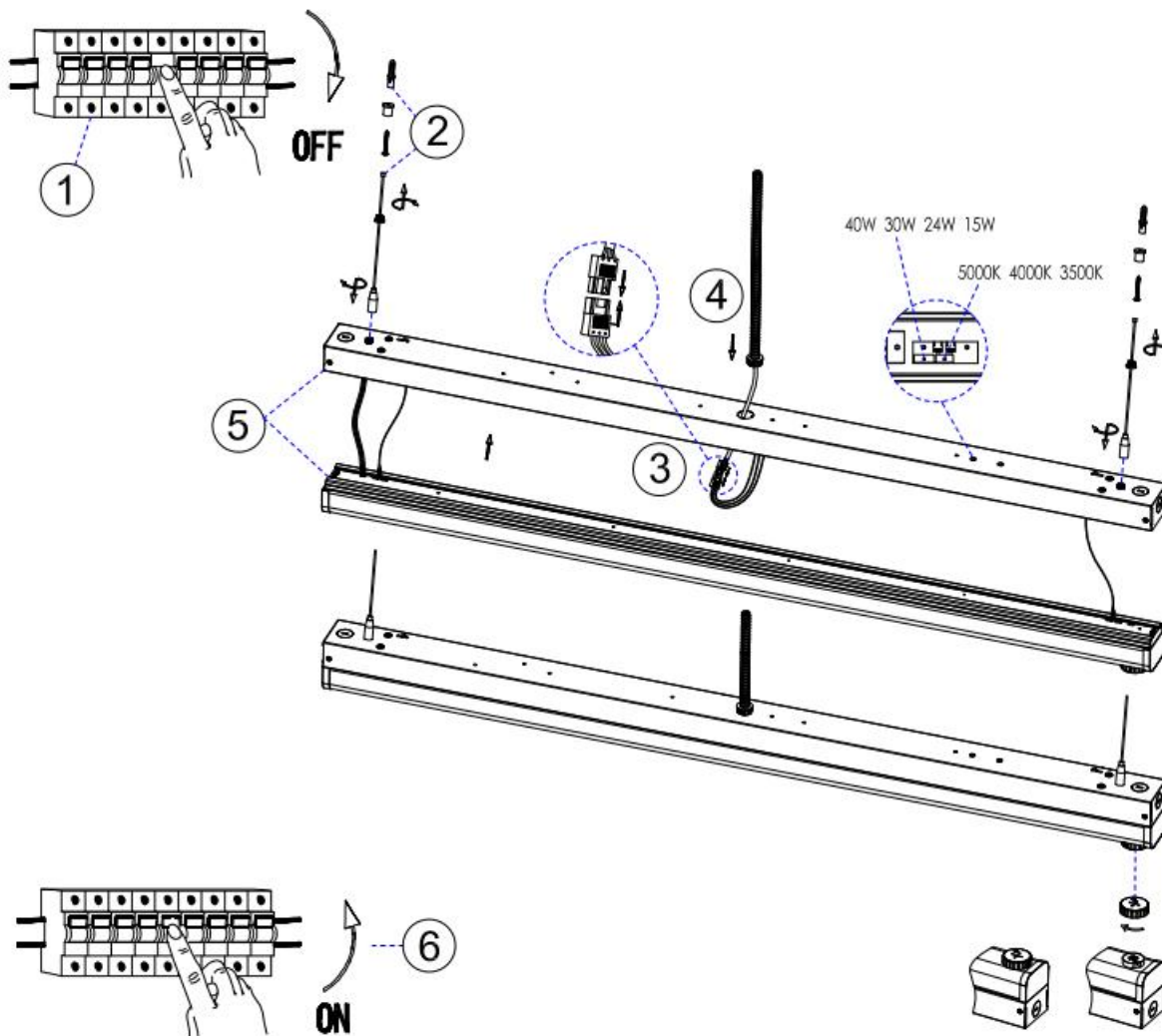
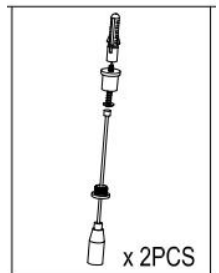
- Risk of fire. Turn off power before installation.
- Risk of electronic shock. Install only by certified electrician with gloves.
- To be used in indoor dry and damp location only.
- If the luminaire exhibits undesirable operation (buzzing, flickering, not working etc.) ,immediately turn off power, remove luminaire and contact manufacturer.
- Do not make mass installation before testing.



INSTALLATION FOR SUSPENSION MOUNTING

1. Disconnect or turn off power before installation, see step ①.
2. Install the suspension cables to the mounting surface, attach the suspension cable to the fixture, push the bullet head to adjust the height, see step ②.
3. Punch the knock-out, put the cables through the conduit, make the electrical connection to the fixture in accordance with local electrical code, see step ③④.
4. Once the wiring is secured and clear. Push the lens assembly onto the metal housing, see step ⑤.
Be careful not to pinch any wires.
6. The Z10 receptacle is on the lens, install the Z10 sensor if necessary.
6. Reconnect power, the light will be on, see step ⑥
7. Adjust settings of the Z10 sensors if desired. See separate instruction sheet for details.

Sold Separately



Information is subject to change without notice.

Jarvis Lighting
Add: 1058 National Parkway Schaumburg, IL 60173

JARVIS
LIGHTING