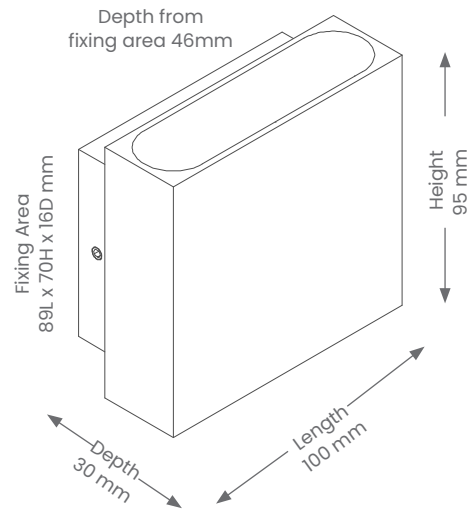


Wall Light Wafer - Small

Product Codes: A0192LED-BLK/ AL



IP RATING



CRI



WARRANTY





1 COLOUR

Product Features

- Suitable for residential or commercial in exterior installations.
- 2-Way Light Direction
- Suitable for coastal conditions
- Lifespan - 30,000 hours (L70)

Materials & Finish

- **Material**
 - Anodised 6063 aluminium
- **LED Type**
 - Integrated SMD LED
- **Colour**
 -  Black
 -  Aluminium

Specifications

- Non-dimmable
- **Power**
 - Voltage - 230V
 - Driver - Integral
 - Wattage - 6W
- **Light Output**
 - Lumens - 560lm
 - Colour Temperature - 3000K
 - CRI - >80
- **Lamp**
 - Tech - Integrated LED

Installation

- **Mounting** - Surface Mounted