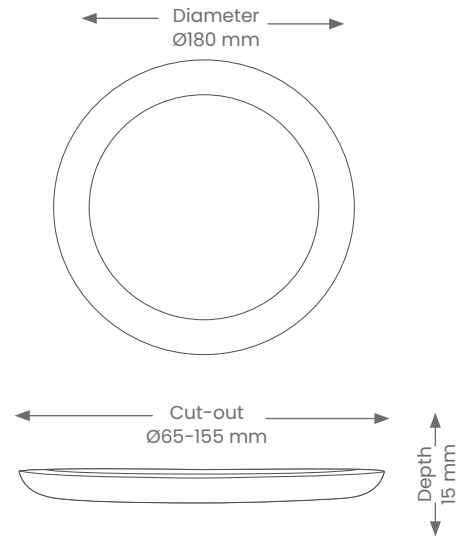
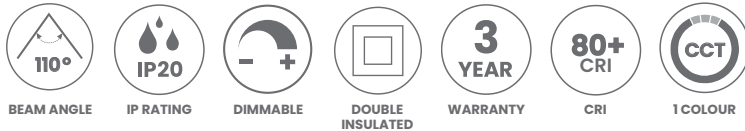


Button

SLIMB-SMALL


Product Codes: SLIMB180-3K/ 4K



Product Features

- Suitable for residential in interior installation
- Dimmable
- Lifespan - 30,000 hrs (L70)
- Recessed or surface mount installation option
- Ultra Slim profile 15mm

Materials & Finish

- **Material**
 - PC
- **LED Type**
 - Integrated SMD LED
- **Shape**
 - Round
- **Colour**
 -  White

Specifications

- **Switching Capacity** - 15,000
- **Power**
 - Voltage - 230V
 - Driver - Integral
 - Wattage - 12W
 - Max ambient operating temperature: +50°C
- **Light Output**
 - Lumens - 840lm (3K) or 900lm (4K)
 - Colour Temperature - 3000K or 4000K
 - CRI - >80
- **Lamp**
 - Tech - Integrated LED

Installation

- **Mounting** - Surface Mounted or Recessed