

IES Indoor Report

Photometric Filename:ICDLR12WCTA-WH 6K.IES

Indoor Luminaire Photometric Data

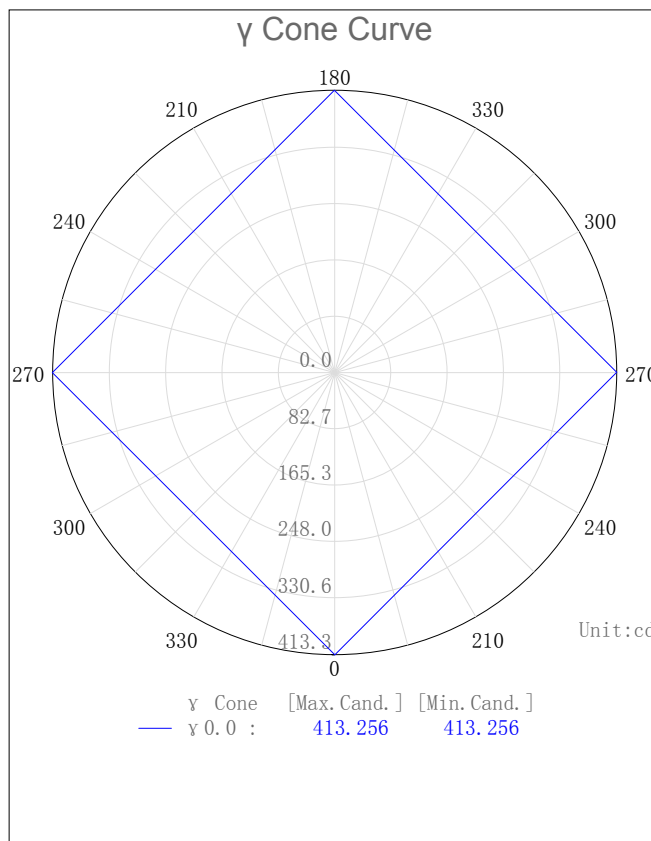
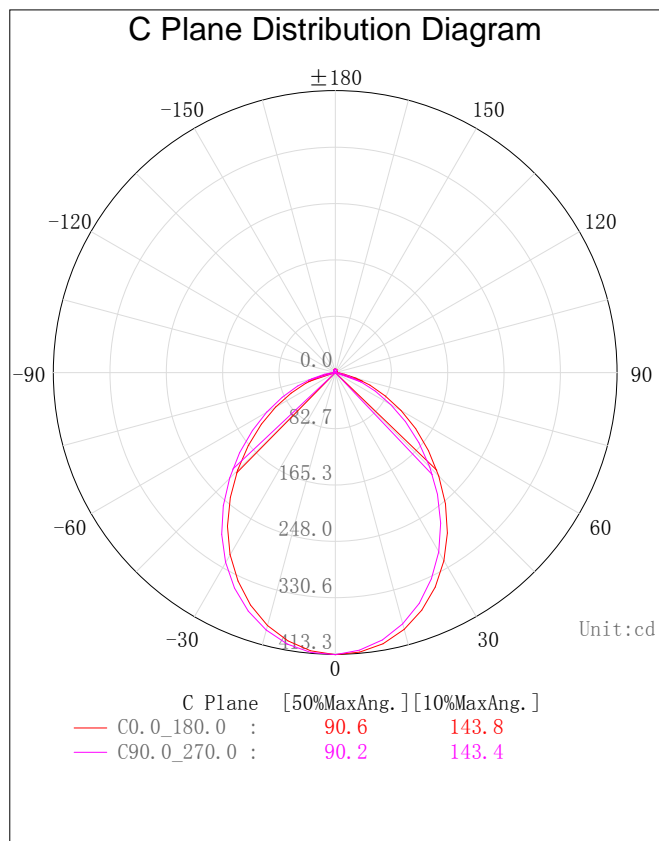
Description Information

Lum. Name: ICDLR12WCTA-WH	Lum. Catalog: LED DOWNLIGHT	Test ID:
Lamp Name: 6000K	Lamp Catalog: SMD2835	Test Date: 2019/01/14
Manufacture:	ShldAngle(°):	Test Machine:GON-2000
Test Lab:	Frequency(Hz):	Lamp CCT(K): Ra:
Lum. Size(W*L*H):0.108m*0.108m*0.042m	Lum. Area(m2):0.016	Lum. W(kg): 2.000
Test System: C, γ	Test Step: C=90.0 γ=5.0	Temp.(°C): 25
		Humidity(%):

Character Parameter

Lamp Speciality Parameter		Luminaire Speciality Parameter	
Rated Flux(lm): 890.170	Luminaire Flux: 890.169lm	Field Angle(10%Imax): 143.8	
Rated Power(W):	Luminaire Efficiency: 100.00%	Down Lumens&Percent: 875.488lm 98.35%	
Rated Voltage(V):	Luminaire EER(lm/W): 73.996	Up Lumens&Percent: 14.681lm 1.65%	
Tested Power(W): 12.030	Max. Cand. (cd): 413.256	S/MH: C0_a180=1.141 C90_270=1.138	
Lamps' Inside: 1	Max Cand@Ang. (°): C=0.0 γ=0.0	CIE Type: Semi-Direct	
Tested Electric:U=240.7V, I=0.059A, PF=0.000	Beam Angle(50%Imax): 90.6	ErP Φuse(120°): 755.700lm	
Lamp Size(W*L*H):0.108m*0.108m*0.042m	Left=-44.4 Right=46.1	IRF: 128.107%	

Lighting Distribution Diagram



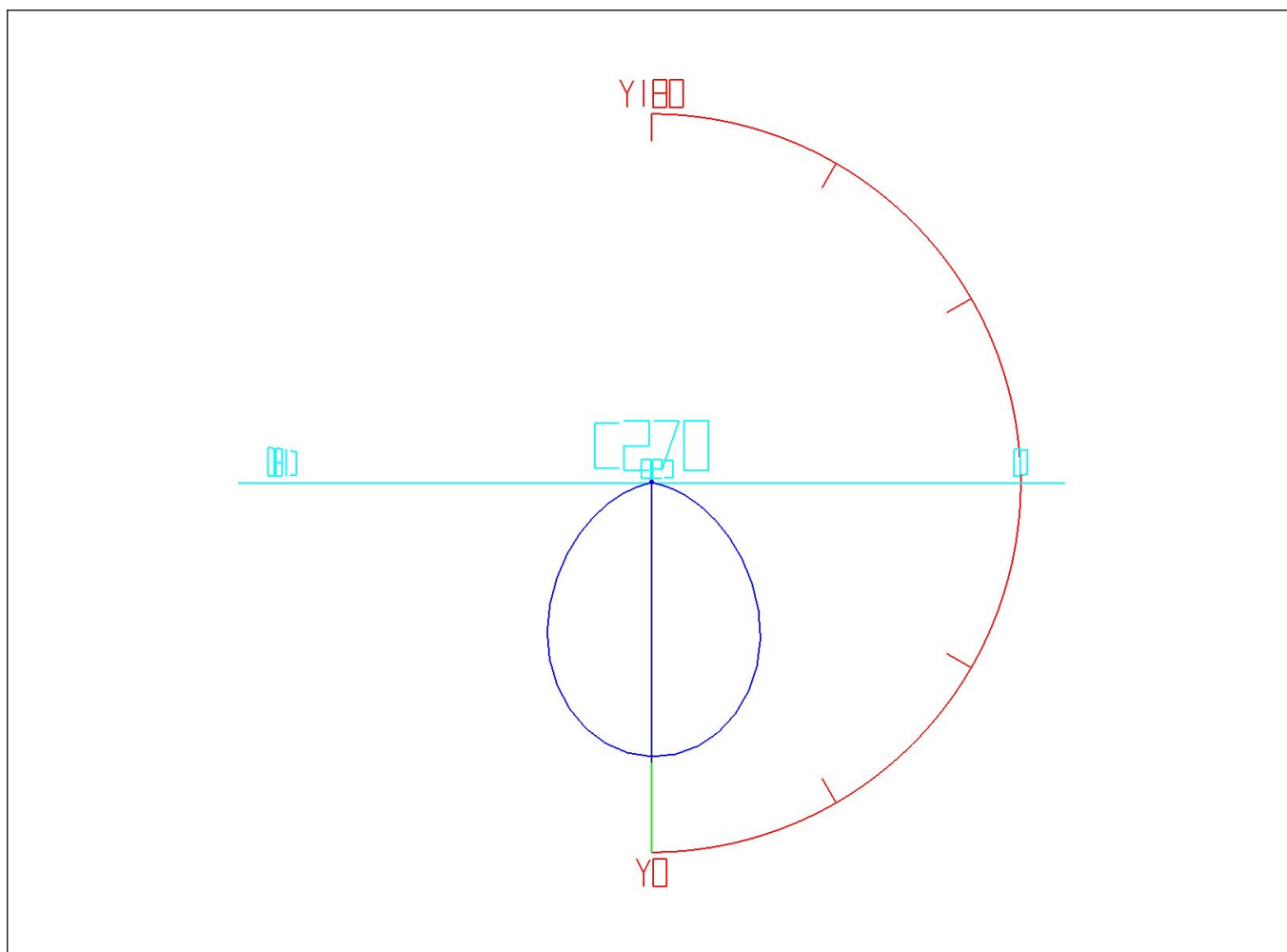
IES Indoor Report

Photometric Filename:ICDLR12WCTA-WH 6K.IES

3D Light Intensity Distribution Modal

Lum. Name: ICDLR12WCTA-WH	Lum. Catalog: LED DOWNLIGHT	Test ID:
Lamp Name: 6000K	Lamp Catalog: SMD2835	Test Lab:
Manufacture:	Test Machine:GON-2000	Test Date: 2019/01/14

3D Light Intensity Distribution Modal



Curves: 3D Model — Fixture — Vert. HUD — Hori. HUD —
View Angles: Orient:0 Tilt:0 Roll:0 Spin:0

IES Indoor Report

Photometric Filename:ICDLR12WCTA-WH 6K.IES

Zonal Flux Tabulation

Zone (y)	Zone Flux (lm)	Sums Flux (lm)	Zone%Lamp	Sums%Lamp
0.0-5.0	9.84	9.84	1.11	1.11
5.0-10.0	29.03	38.87	3.26	4.37
10.0-15.0	46.73	85.60	5.25	9.62
15.0-20.0	62.05	147.65	6.97	16.59
20.0-25.0	74.26	221.91	8.34	24.93
25.0-30.0	82.82	304.73	9.30	34.23
30.0-35.0	87.34	392.07	9.81	44.04
35.0-40.0	87.56	479.64	9.84	53.88
40.0-45.0	83.77	563.41	9.41	63.29
45.0-50.0	76.75	640.16	8.62	71.91
50.0-55.0	67.26	707.42	7.56	79.47
55.0-60.0	56.10	763.52	6.30	85.77
60.0-65.0	44.01	807.53	4.94	90.72
65.0-70.0	31.77	839.30	3.57	94.29
70.0-75.0	20.17	859.47	2.27	96.55
75.0-80.0	10.36	869.83	1.16	97.72
80.0-85.0	4.21	874.04	0.47	98.19
85.0-90.0	1.45	875.49	0.16	98.35
90.0-95.0	0.56	876.05	0.06	98.41
95.0-100.0	0.58	876.63	0.07	98.48
100.0-105.0	0.65	877.28	0.07	98.55
105.0-110.0	0.75	878.03	0.08	98.64
110.0-115.0	0.86	878.89	0.10	98.73
115.0-120.0	0.96	879.85	0.11	98.84
120.0-125.0	1.04	880.90	0.12	98.96
125.0-130.0	1.11	882.00	0.12	99.08
130.0-135.0	1.15	883.15	0.13	99.21
135.0-140.0	1.17	884.32	0.13	99.34
140.0-145.0	1.14	885.46	0.13	99.47
145.0-150.0	1.08	886.55	0.12	99.59
150.0-155.0	1.00	887.54	0.11	99.71
155.0-160.0	0.88	888.42	0.10	99.80
160.0-165.0	0.73	889.16	0.08	99.89
165.0-170.0	0.55	889.71	0.06	99.95
170.0-175.0	0.34	890.05	0.04	99.99
175.0-180.0	0.12	890.17	0.01	100.00

Indoor Luminance Limiting Curves

Lum. Name: ICDLR12WCTA-WH	Lum. Catalog: LED DOWNLIGHT	Test ID:
Lamp Name: 6000K	Lamp Catalog: SMD2835	Test Lab:
Manufacture:	Test Machine:GON-2000	Test Date: 2019/01/14

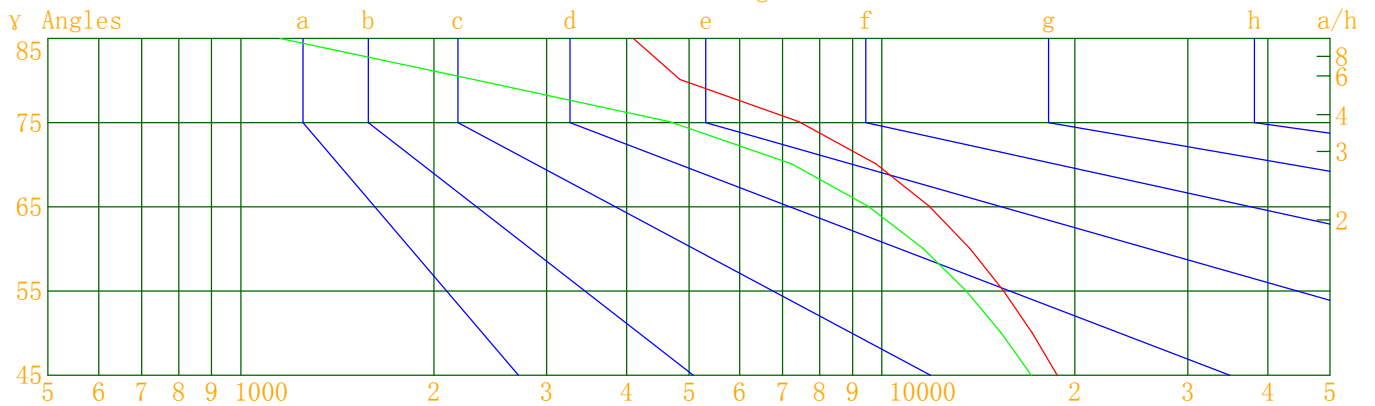
Glare Grade Table

GI	Quality	Using Illuminance							
		a	b	c	d	e	f	g	h
1.15	A	2000	1000	500	<=300				
1.5	B		2000	1000	500	<=300			
1.85	C			2000	1000	500	<=300		
2.2	D				2000	1000	500	<=300	
2.55	E	a				2000	1000	500	<=300
			b	c	d	e	f	g	h

Luminance Table

Gama (deg)	45	50	55	60	65	70	75	80	85
C0	18762	17160	15478	13712	11844	9790	7424	4839	4097
C90	17102	15355	13520	11591	9514	7232	4665	2306	1150

Luminance Limiting Curve



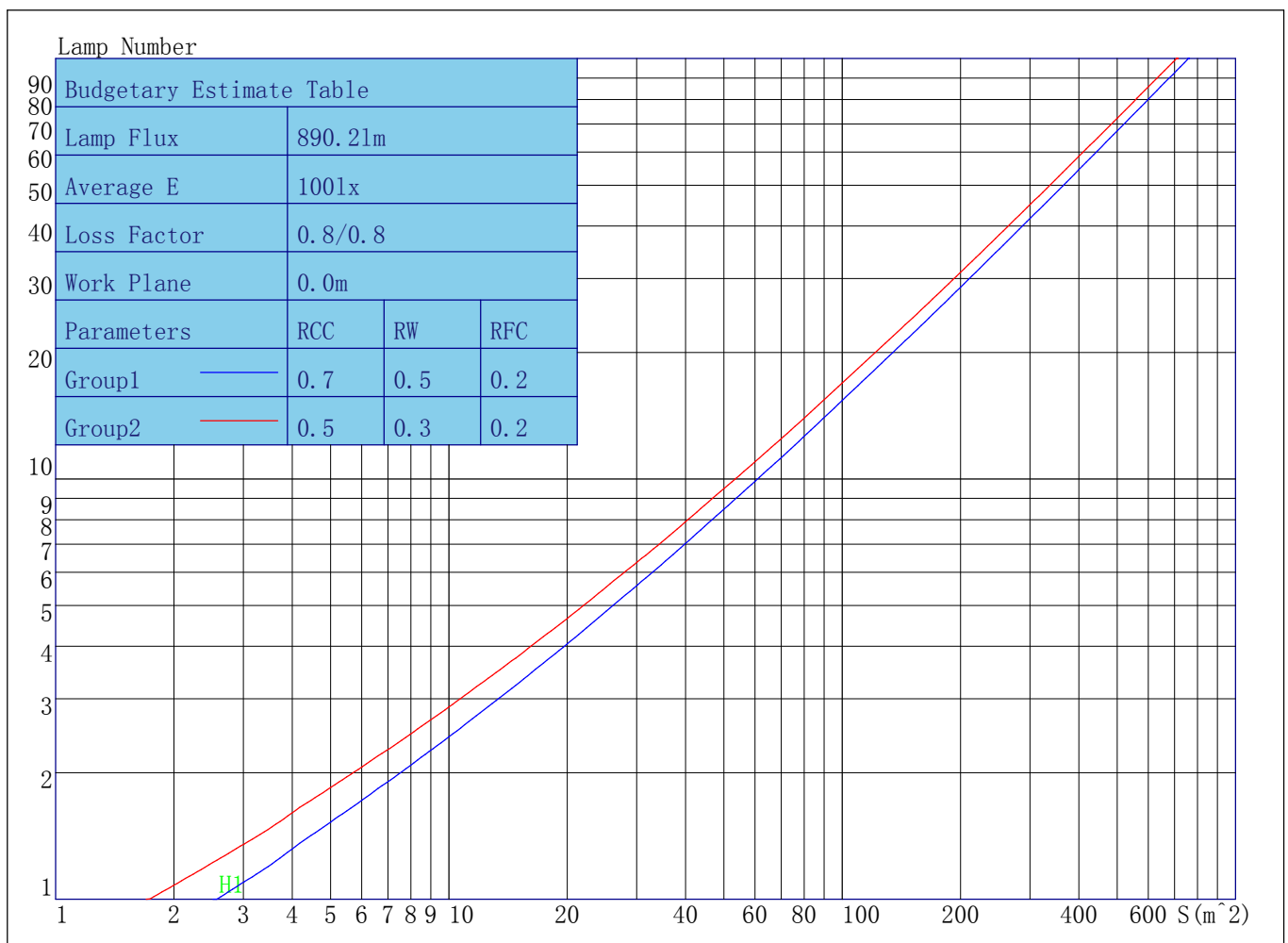
Luminous Size: Length(m)=0.108 Width(m)=0.108 Height(m)=0.042 Area(m^2)=0.016200
 Luminous Type: Without Luminous Side
 Luminous Curves: C0-C180 Color: — C90-C270 Color: —

IES Indoor Report

Photometric Filename:ICDLR12WCTA-WH 6K.IES

Indoor Budgetary Estimate Table

Lum. Name: ICDLR12WCTA-WH	Lum. Catalog: LED DOWNLIGHT	Test ID:
Lamp Name: 6000K	Lamp Catalog: SMD2835	Test Lab:
Manufacture:	Test Machine:GON-2000	Test Date: 2019/01/14



Parameters1: Rhocc = 0.7 Rhow = 0.5 Rhofc = 0.2 LLF = 0.8
 Parameters2: Rhocc = 0.5 Rhow = 0.3 Rhofc = 0.2 LLF = 0.8
 Average Illuminance(lx): 100 Cavity Height: H1(m) = 2

IES Indoor Report

Photometric Filename:ICDLR12WCTA-WH 6K.IES

Indoor Coefficient of Utilization Table

Lum. Name: ICDLR12WCTA-WH	Lum. Catalog: LED DOWNLIGHT	Test ID:
Lamp Name: 6000K	Lamp Catalog: SMD2835	Test Lab:
Manufacture:	Test Machine:GON-2000	Test Date: 2019/01/14

Coefficients of Utilization - Zonal Cavity Method																		
Coef.	Effective Floor Cavity Reflectance RFC=0.20																	
RhoCC (%)	80				70				50			30			10			0
RhoW (%)	70	50	30	10	70	50	30	10	50	30	10	50	30	10	50	30	10	0
RCR	Coefficient of Utilization(%)																	
0	119	119	119	119	116	116	116	116	110	110	110	105	105	105	101	101	101	98
1	110	106	102	99	107	103	100	97	99	96	94	95	93	91	91	89	88	86
2	101	94	88	83	99	92	86	82	88	84	80	85	81	78	82	79	76	74
3	93	84	76	71	91	82	75	70	79	73	68	76	71	67	73	69	66	64
4	86	75	67	61	84	74	66	60	71	65	59	69	63	58	66	61	58	56
5	79	68	59	53	77	66	59	53	64	57	52	62	56	52	60	55	51	49
6	74	61	53	47	72	60	53	47	58	51	46	57	51	46	55	50	45	43
7	69	56	48	42	67	55	47	42	53	47	41	52	46	41	50	45	41	39
8	64	51	43	38	62	51	43	38	49	42	37	48	42	37	47	41	37	35
9	60	47	40	34	59	47	39	34	45	39	34	44	38	34	43	38	33	32
10	56	44	36	31	55	43	36	31	42	36	31	41	35	31	40	35	31	29

IES Indoor Report

Photometric Filename:ICDLR12WCTA-WH 6K.IES

Candela Tabulation

V/H	C0.0	C90.0	C180.0	C270.0
Y 0.0	413.26	413.26	413.26	413.26
Y 5.0	411.45	408.40	409.34	411.57
Y 10.0	403.57	397.87	399.37	404.11
Y 15.0	389.94	381.56	383.70	390.90
Y 20.0	370.82	359.95	362.80	372.13
Y 25.0	346.81	333.76	337.31	348.53
Y 30.0	318.76	303.65	307.99	320.91
Y 35.0	286.93	269.45	275.09	289.72
Y 40.0	251.54	232.88	238.95	254.77
Y 45.0	214.92	195.90	202.27	218.54
Y 50.0	178.68	159.89	166.44	182.63
Y 55.0	143.82	125.63	132.24	148.09
Y 60.0	111.07	93.89	100.42	115.58
Y 65.0	81.09	65.14	71.39	85.59
Y 70.0	54.24	40.07	45.72	58.62
Y 75.0	31.13	19.56	24.19	35.11
Y 80.0	13.61	6.49	9.12	15.73
Y 85.0	5.78	1.62	3.17	6.40
Y 90.0	1.63	0.16	0.34	2.03
Y 95.0	1.52	0.32	0.55	1.62
Y 100.0	1.61	0.62	0.74	1.57
Y 105.0	1.69	0.85	1.02	1.69
Y 110.0	1.89	1.19	1.30	1.88
Y 115.0	2.12	1.49	1.65	2.04
Y 120.0	2.35	1.81	1.98	2.33
Y 125.0	2.64	2.16	2.30	2.53
Y 130.0	2.87	2.43	2.65	2.82
Y 135.0	3.20	2.80	2.93	3.07
Y 140.0	3.46	3.14	3.29	3.32
Y 145.0	3.69	3.38	3.53	3.59
Y 150.0	3.96	3.62	3.85	3.79
Y 155.0	4.19	3.94	4.11	4.06
Y 160.0	4.47	4.14	4.39	4.26
Y 165.0	4.64	4.41	4.64	4.54
Y 170.0	4.86	4.57	4.81	4.71
Y 175.0	5.01	4.75	4.94	4.90
Y 180.0	4.99	4.99	4.99	4.99
