

IES Indoor Report Photometric

Filename:SBS14W.IES Description Information(From Photometric File)

Photometric File: SBS14W.IES

IES Format: IESNA:LM-63-1995

[TEST]

[DATE] 2019/10/17

[MANUFAC] Eurotech Lighting

[LUMCAT] 1

[LUMINAIRE]

[LAMPCAT]

[LAMP]

[BALLASTCAT]

[BALLAST]

[OTHER] 1

[More] Temperature:12 Humidity:40

[More] Frequency:50.0 Voltage:229.6 Current:0.109 Power:13.3 PF:0.528

Character

Lamp Power(w): 13.3
Total Rated Lamp Lumens(lm): 1658.87 Luminair
Lumens(lm): 1267.94
Total Luminair Efficiency: 76.43%
Luminaire Efficacy Rating(LER): 95.33
Maximum Intensity(cd): 347.88
Max Cd Angle(deg): C=0.0 γ =5.0
Downward Lumens(lm): 1129.89
Downward Total Efficiency: 89.11%
Spacing Criteria: C0_180=0.65 C90_270=0.64
CIE Type: General Diffuse
Beam Angle(50%Imax): Left=-59.5 Right=60.7
Field Angle(10%Imax): 179.9

IES Indoor Report Photometric

Filename:SBS14W.IES

VOLNIC GON-1800 分布光度计,伏达光电技术有限公司

Candela Tabulation

	<u>C0.0</u>	<u>C30.0</u>	<u>C60.0</u>	<u>C90.0</u>	<u>C120.0</u>	<u>C150.0</u>	<u>C180.0</u>	<u>C210.0</u>	<u>C240.0</u>	<u>C270.0</u>	<u>C300.0</u>	<u>C330.0</u>	<u>C360.0</u>
<u>γ0.0</u>	347.63	347.63	347.63	347.63	347.63	347.63	347.63	347.63	347.63	347.63	347.63	347.63	347.63
<u>γ5.0</u>	347.88	347.11	346.51	345.99	345.72	345.44	347.27	346.85	345.74	345.69	344.88	345.14	347.88
<u>γ10.0</u>	344.32	343.26	343.09	342.21	342.37	341.65	343.05	342.91	341.50	341.66	340.66	341.15	344.32
<u>γ15.0</u>	337.64	336.90	337.16	335.83	336.44	335.27	336.13	336.35	334.46	334.85	333.67	334.60	337.64
<u>γ20.0</u>	329.25	327.87	328.32	326.56	327.61	326.20	326.21	326.93	324.71	325.18	323.93	325.38	329.25
<u>γ25.0</u>	317.48	316.13	317.01	314.51	316.27	314.56	313.72	315.05	312.48	312.86	311.72	313.52	317.48
<u>γ30.0</u>	303.22	301.98	303.20	299.98	302.46	300.39	298.77	300.67	297.87	298.12	297.18	299.25	303.22
<u>γ35.0</u>	286.55	285.26	287.08	283.11	286.43	284.23	281.80	284.23	281.30	281.14	280.60	282.86	286.55
<u>γ40.0</u>	267.97	267.15	269.09	264.27	268.45	265.93	262.72	265.86	262.77	262.25	262.02	264.56	267.97
<u>γ45.0</u>	247.63	247.08	249.22	243.76	248.63	246.07	242.05	245.78	242.52	241.73	241.92	244.52	247.63
<u>γ50.0</u>	225.62	225.56	227.75	221.66	227.28	224.68	219.79	224.20	220.79	219.63	220.23	222.98	225.62
<u>γ55.0</u>	202.29	202.57	204.86	198.09	204.49	201.79	196.15	201.28	197.76	196.21	197.28	200.07	202.29
<u>γ60.0</u>	177.58	178.42	180.86	173.33	180.51	177.71	171.27	177.10	173.54	171.63	173.16	175.91	177.58
<u>γ65.0</u>	151.95	153.16	155.73	147.48	155.31	152.56	145.18	151.92	148.26	146.17	148.03	150.99	151.95
<u>γ70.0</u>	125.38	127.23	129.76	120.75	129.31	126.64	118.38	125.91	122.34	119.42	122.17	125.20	125.38
<u>γ75.0</u>	98.47	100.98	103.54	93.84	103.11	100.48	91.54	99.71	96.24	92.78	96.23	99.16	98.47
<u>γ80.0</u>	72.33	75.70	78.03	68.23	77.73	75.41	65.85	74.76	71.55	67.33	71.56	74.16	72.33
<u>γ85.0</u>	49.39	53.82	55.75	46.36	55.71	54.24	45.64	53.83	51.06	45.85	50.74	52.66	49.39
<u>γ90.0</u>	34.97	40.77	41.67	34.91	42.56	42.98	36.94	42.94	41.31	34.55	40.03	40.16	34.97
<u>γ95.0</u>	32.25	37.80	38.33	32.76	39.33	39.79	34.57	39.72	38.15	32.45	37.11	37.16	32.25
<u>γ100.0</u>	30.23	34.97	35.47	30.79	36.30	36.77	32.15	36.61	35.08	30.19	34.18	34.26	30.23
<u>γ105.0</u>	28.11	32.15	32.62	28.64	33.27	33.71	29.70	33.30	32.07	27.94	31.29	31.47	28.11
<u>γ110.0</u>	25.04	29.38	29.91	26.39	30.45	30.67	27.13	30.26	29.09	25.71	28.51	28.58	25.04
<u>γ115.0</u>	23.82	26.62	27.14	23.38	27.51	27.72	24.61	27.23	26.24	22.07	25.69	25.91	23.82
<u>γ120.0</u>	21.65	23.92	24.39	15.91	24.69	24.80	22.13	24.22	23.37	15.39	22.97	23.12	21.65
<u>γ125.0</u>	19.45	21.05	21.68	16.44	21.87	21.88	19.78	21.30	20.54	15.91	20.41	20.37	19.45
<u>γ130.0</u>	17.28	17.87	19.06	15.41	19.06	18.79	17.40	18.12	17.80	14.96	17.67	17.44	17.28
<u>γ135.0</u>	15.15	14.84	16.32	13.79	16.41	15.43	15.01	14.89	15.09	13.26	15.08	14.35	15.15
<u>γ140.0</u>	13.06	12.11	13.27	11.97	13.40	12.50	12.65	12.07	12.05	11.47	11.92	11.72	13.06
<u>γ145.0</u>	11.02	9.81	10.02	10.10	10.20	10.01	10.56	9.67	8.89	9.63	8.92	9.53	11.02
<u>γ150.0</u>	8.98	7.74	7.06	7.75	7.28	7.80	8.44	7.49	5.99	7.39	5.97	7.48	8.98
<u>γ155.0</u>	7.03	5.97	4.49	5.23	4.52	5.88	6.48	5.61	4.08	5.00	4.12	5.57	7.03
<u>γ160.0</u>	5.28	4.45	3.64	3.62	3.74	4.28	4.84	4.28	3.50	3.60	3.38	4.54	5.28
<u>γ165.0</u>	3.91	3.38	3.15	3.15	3.13	3.15	3.52	3.17	3.08	3.16	3.05	3.42	3.91
<u>γ170.0</u>	3.09	3.04	3.01	2.96	2.89	3.01	3.13	3.02	3.04	3.00	3.06	3.10	3.09
<u>γ175.0</u>	3.00	3.11	2.96	3.07	2.98	2.94	2.95	3.13	3.08	3.12	3.06	3.13	3.00
<u>γ180.0</u>	3.05	3.05	3.05	3.05	3.05	3.05	3.05	3.05	3.05	3.05	3.05	3.05	3.05

IES Indoor Report Photometric

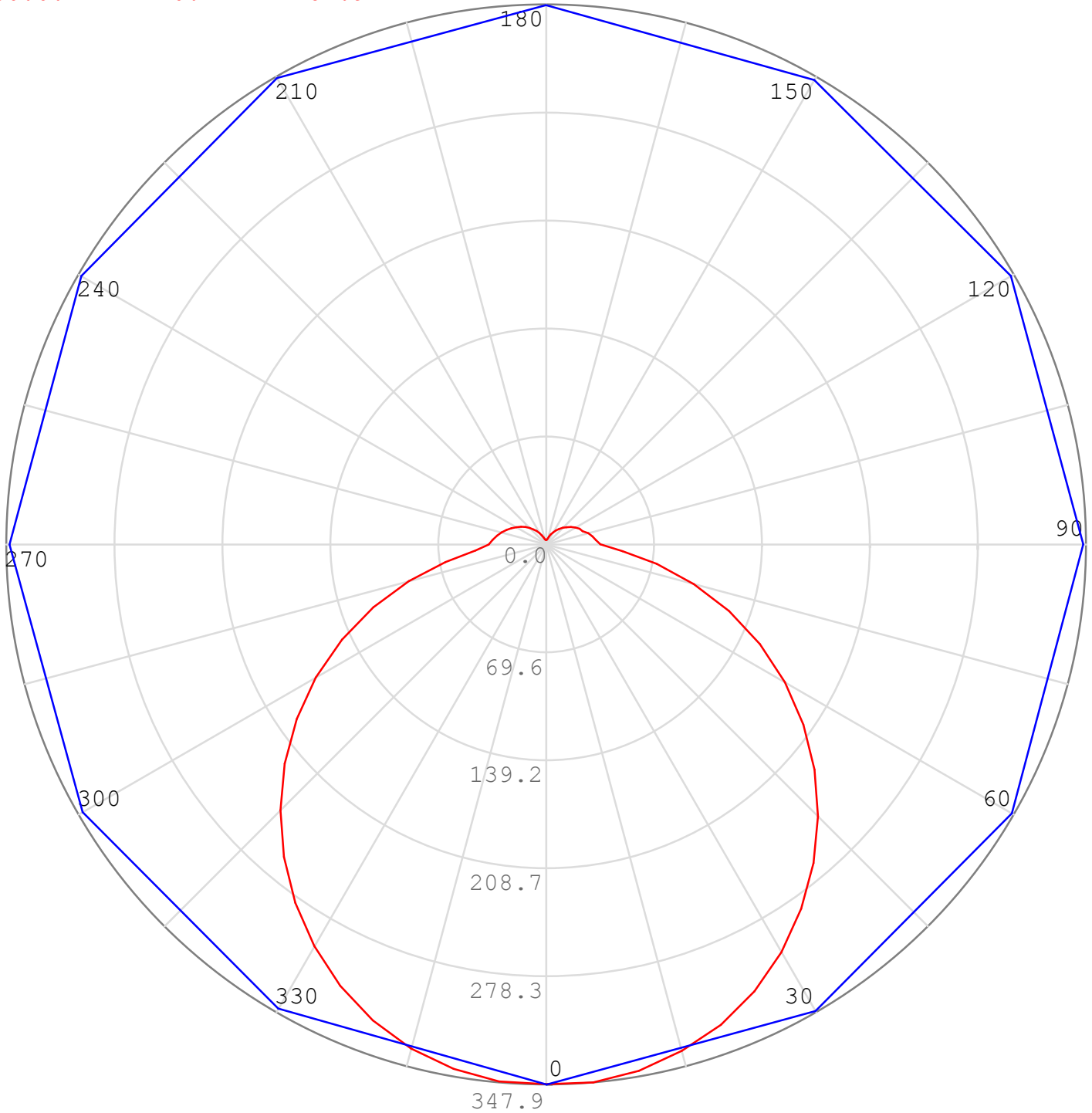
Filename:SBS14W.IES

2D Light Intensity Distribution Curve

Plane [50%Ang.] [10%Ang.]

C0.0: 120.2 184.9

Polar Graph

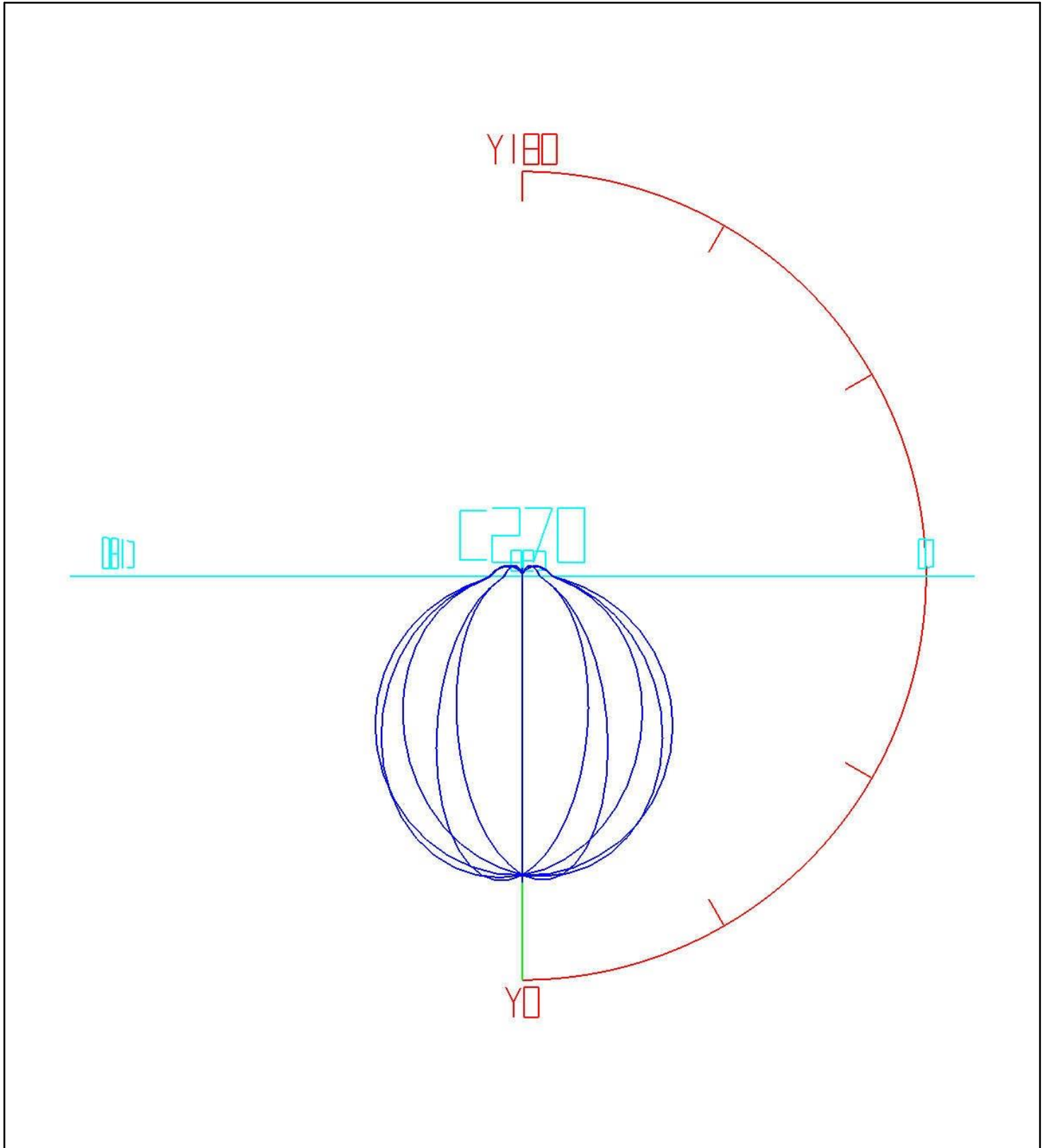


C Plane: C0.0 γ Cone: γ5.0

IES Indoor Report Photometric

Filename:SBS14W.IES

3D Light Intensity Distribution Curve



Curves: 3D Model — 3D Model — Fixture — Fixture — Vert. HUD — Vert. HUD — Hori. HUD — Hori. HUD —
View Angles: Orient:0 Tilt:0 Roll:0 Spin:0

IES Indoor Report Photometric

Filename:SBS14W.IES

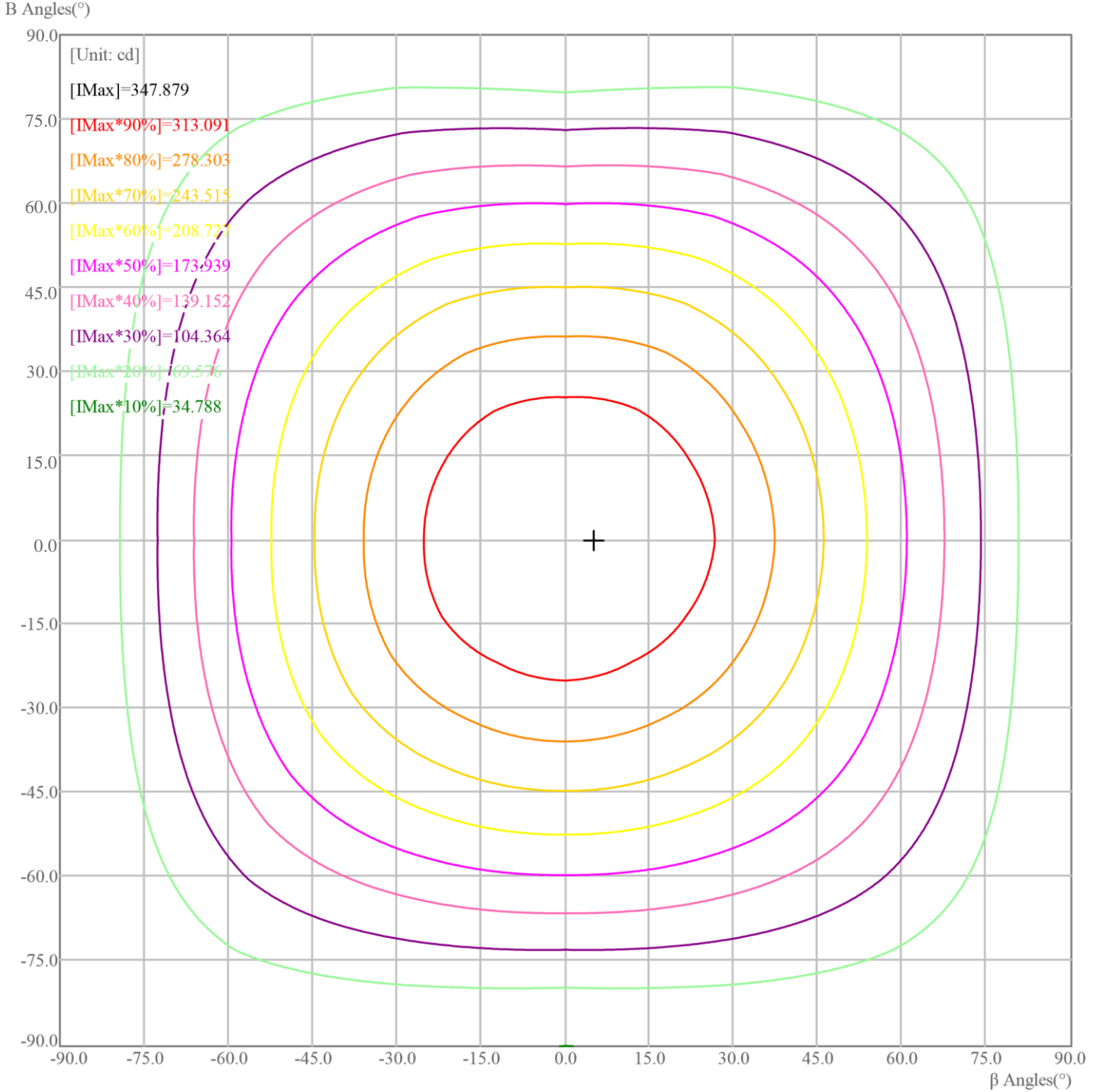
Zonal Liumens Tabulation

Zone(γ)	Zone Flux (lm)	Sums Flux (lm)	Zone%Lamp	
0.0-5.0	8.29	8.29	0.65	0.65
5.0-10.0	24.63	32.92	1.94	2.60
10.0-15.0	40.22	73.15	3.17	5.77
15.0-20.0	54.58	127.73	4.30	10.07
20.0-25.0	67.24	194.97	5.30	15.38
25.0-30.0	77.81	272.78	6.14	21.51
30.0-35.0	85.99	358.78	6.78	28.30
35.0-40.0	91.59	450.37	7.22	35.52
40.0-45.0	94.49	544.86	7.45	42.97
45.0-50.0	94.65	639.51	7.46	50.44
50.0-55.0	92.10	731.61	7.26	57.70
55.0-60.0	86.95	818.56	6.86	64.56
60.0-65.0	79.37	897.93	6.26	70.82
65.0-70.0	69.62	967.55	5.49	76.31
70.0-75.0	58.13	1025.67	4.58	80.89
75.0-80.0	45.68	1071.35	3.60	84.50
80.0-85.0	33.69	1105.04	2.66	87.15
85.0-90.0	24.84	1129.89	1.96	89.11
90.0-95.0	20.84	1150.72	1.64	90.75
95.0-100.0	19.17	1169.89	1.51	92.27
100.0-105.0	17.42	1187.31	1.37	93.64
105.0-110.0	15.58	1202.89	1.23	94.87
110.0-115.0	13.70	1216.59	1.08	95.95
115.0-120.0	11.64	1228.23	0.92	96.87
120.0-125.0	9.77	1238.00	0.77	97.64
125.0-130.0	8.18	1246.18	0.65	98.28
130.0-135.0	6.58	1252.75	0.52	98.80
135.0-140.0	5.06	1257.81	0.40	99.20
140.0-145.0	3.71	1261.52	0.29	99.49
145.0-150.0	2.55	1264.07	0.20	99.69
150.0-155.0	1.62	1265.68	0.13	99.82
155.0-160.0	0.99	1266.67	0.08	99.90
160.0-165.0	0.61	1267.28	0.05	99.95
165.0-170.0	0.37	1267.65	0.03	99.98
170.0-175.0	0.22	1267.87	0.02	99.99
175.0-180.0	0.07	1267.94	0.01	100.00
				Sums%Lamp

IES Indoor Report Photometric

Filename:SBS14W.IES

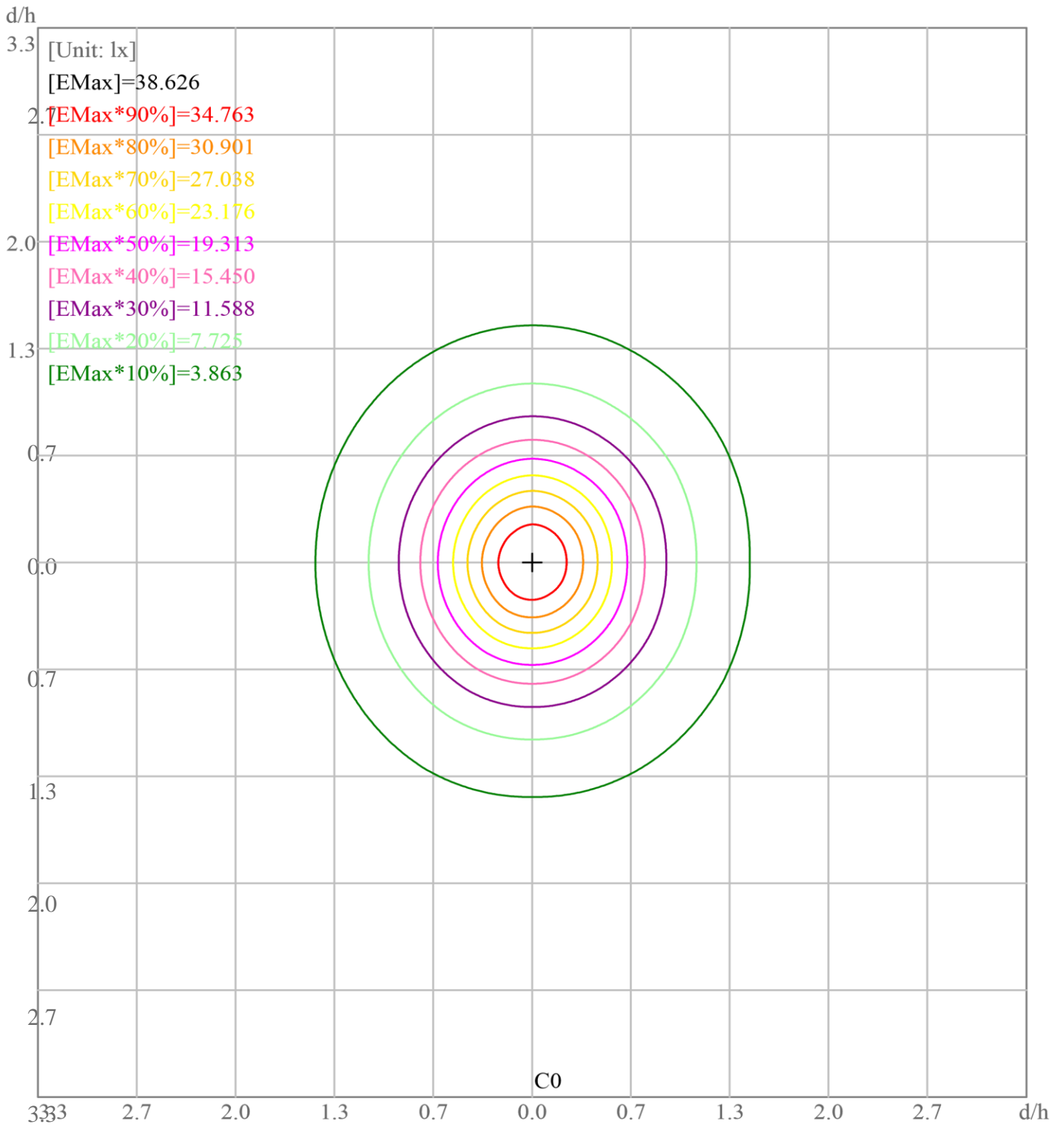
Rectangle ISO Light Intensity Curve



IES Indoor Report Photometric

Filename:SBS14W.IES

Plane ISO-Illuminance Curve



Curves: 90% — 80% — 70% — 60% — 50% — 40% — 30% — 20% — 10% —

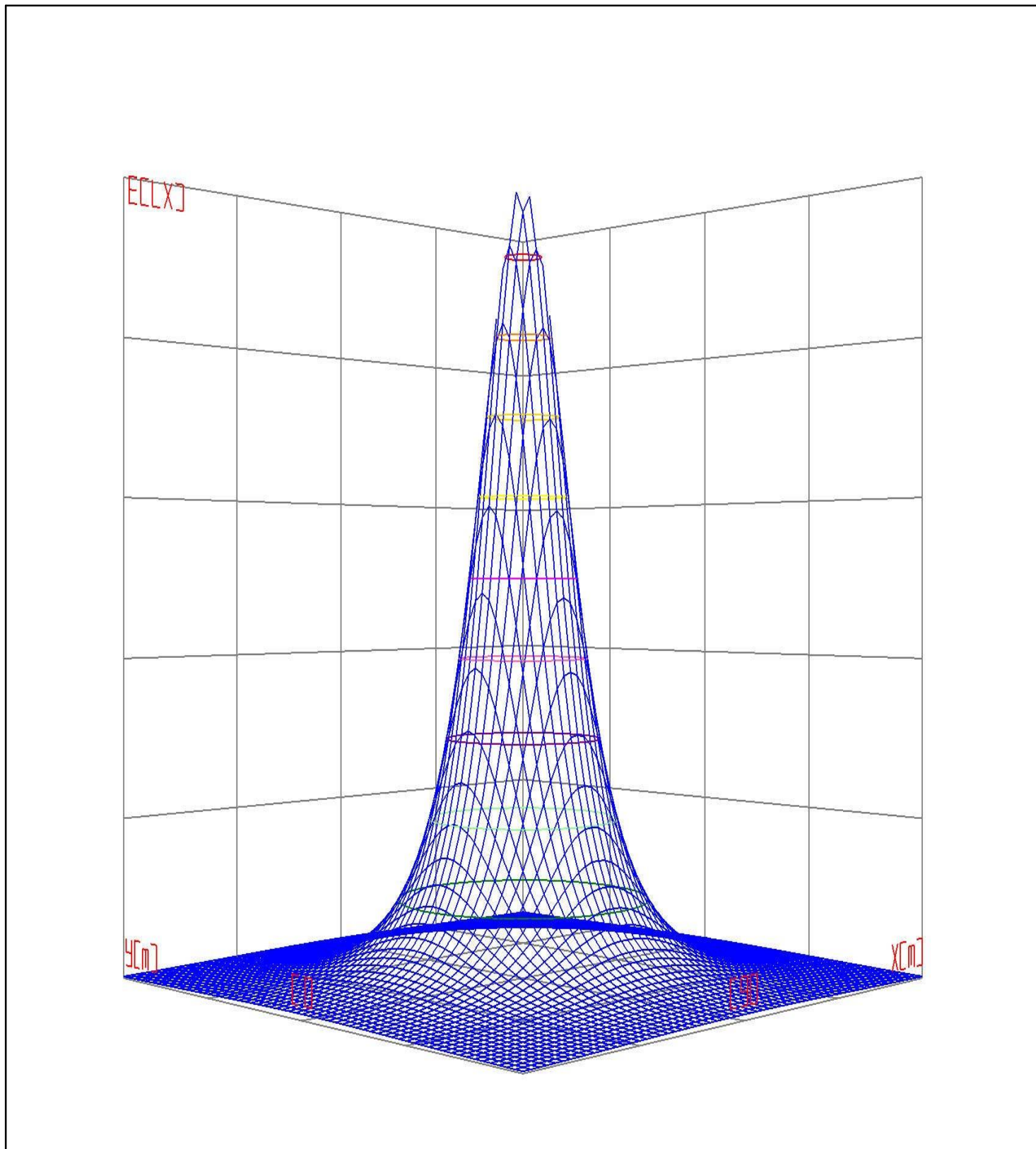
Maximum Illuminance(lx): 347.63 Max. E Postion(d/h): 0.0 V0.0

Mount Height(m): 3.0

IES Indoor Report Photometric

Filename:SBS14W.IES

3D Plane ISO Illuminance Curve

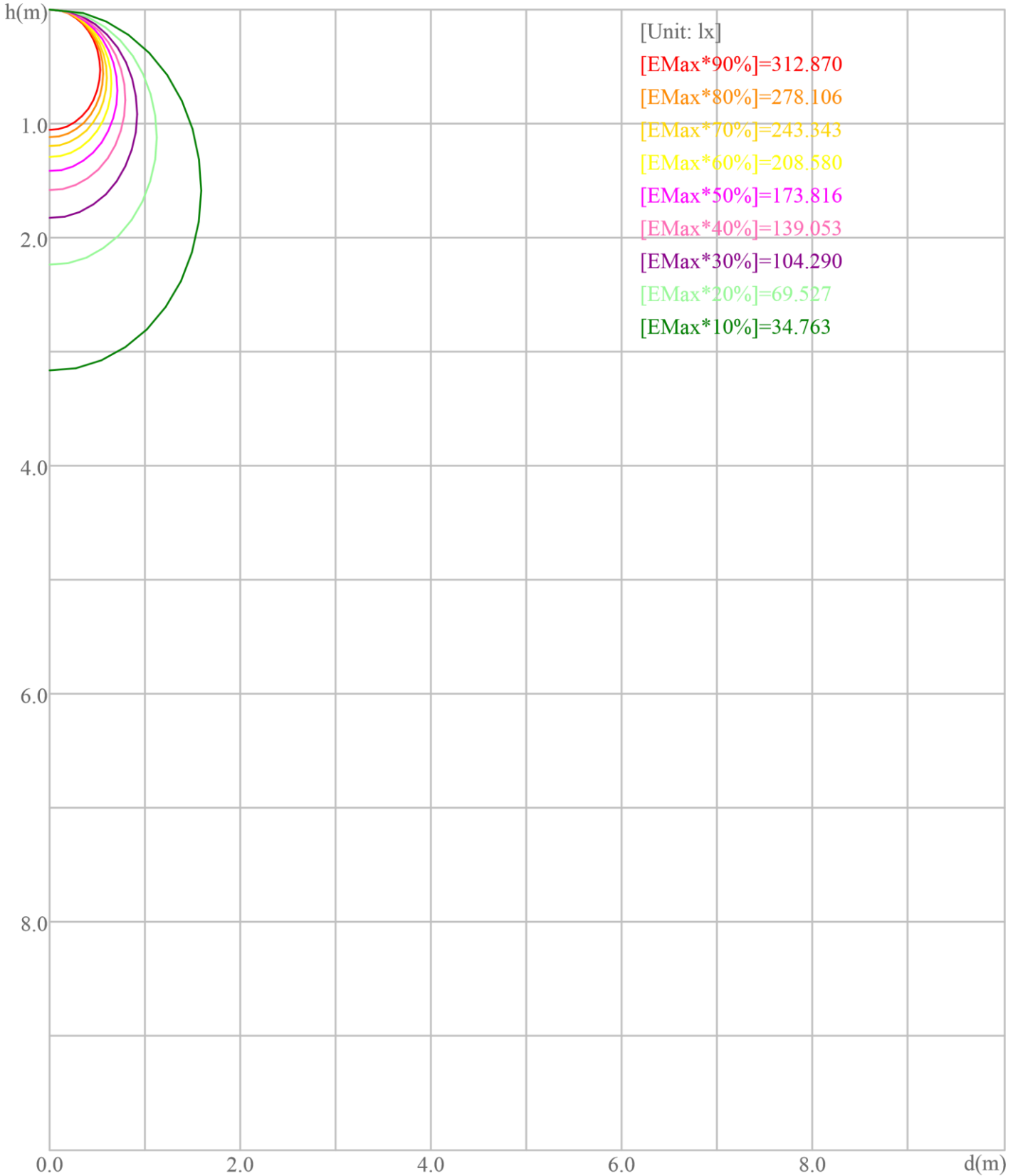


Curves: 3D Model — 90% — 80% — 70% — 60% — 50% — 40% — 30% — 20% — 10% —
View Angles(deg): 0 Height(m): 3.0 Distance(m): 10.0

IES Indoor Report Photometric

Filename:SBS14W.IES

Space ISO Illuminance Curve



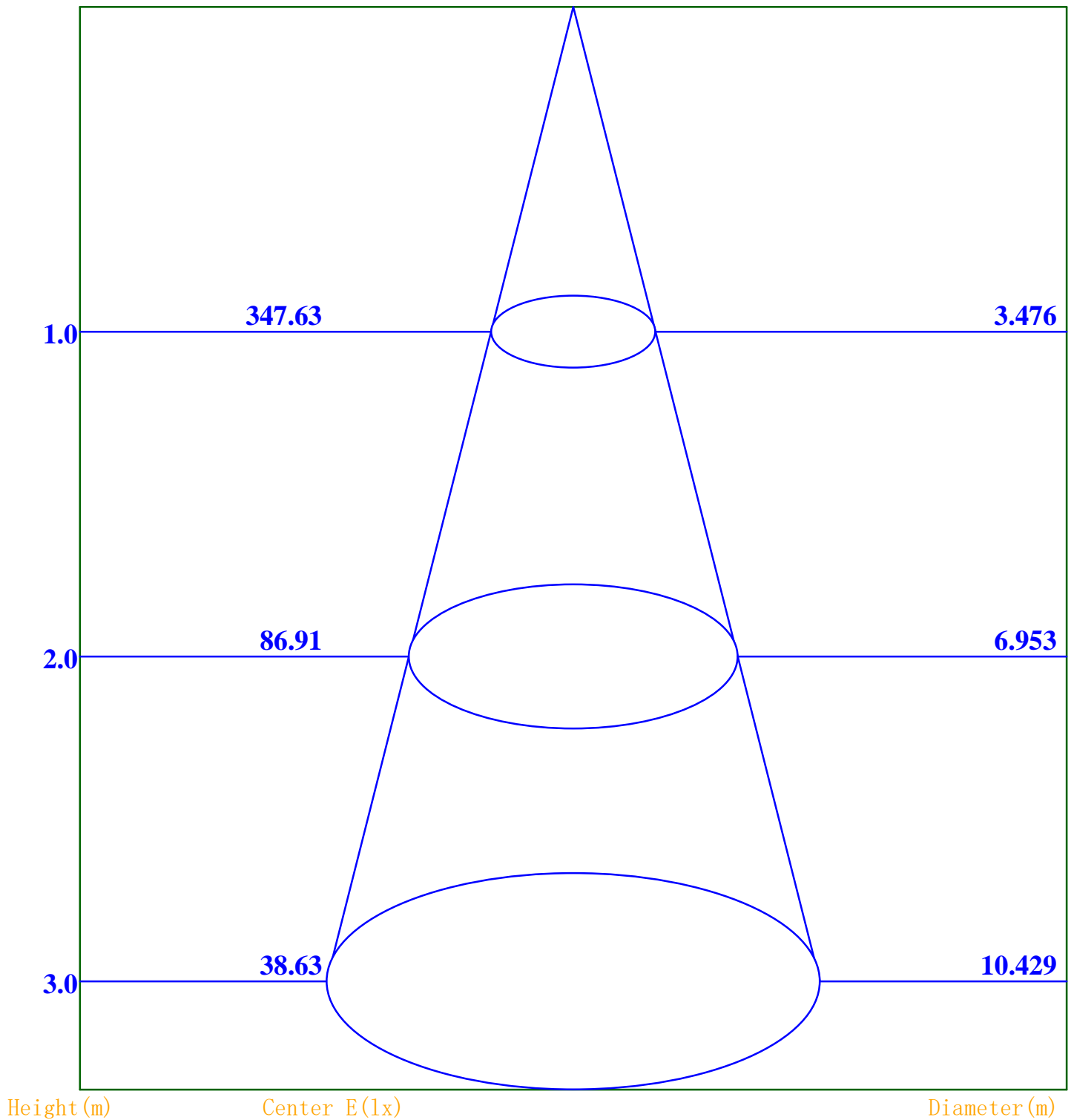
Curves:90% — 80% — 70% — 60% — 50% — 40% — 30% — 20% — 10% —

Maximum Light Intensity(cd): 347.63

IES Indoor Report Photometric

Filename:SBS14W.IES

Illuminance-Distance Curve



Indoor Luminance Limiting Curve

Glare Grade Table

IES Indoor Report Photometric

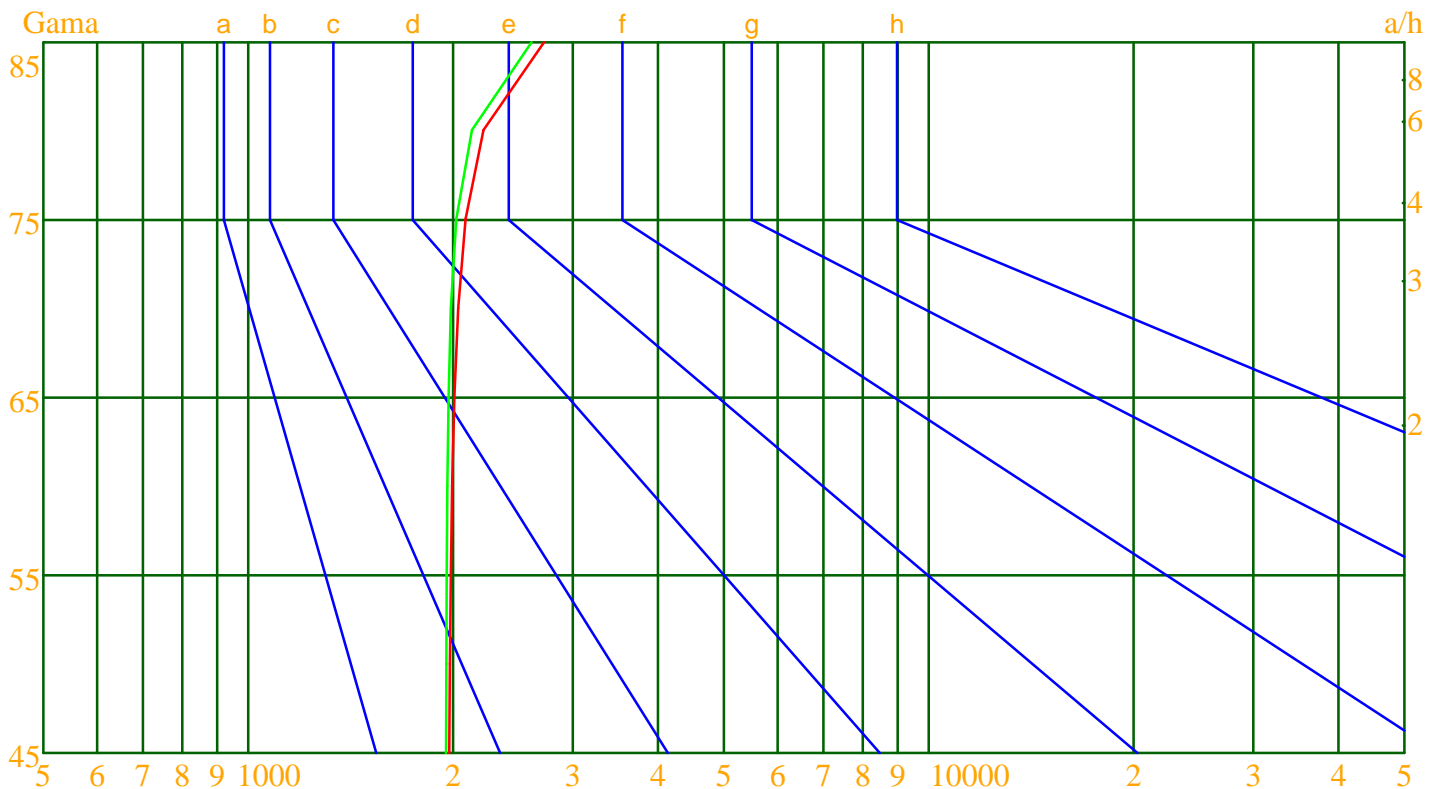
Filename:SBS14W.IES

GI	Quality	Using Illuminance							
1.15	A	2000	1000	500	<=300				
1.5	B		2000	1000	500	<=300			
1.85	C			2000	1000	500	<=300		
2.2	D				2000	1000	500	<=300	
2.55	E					2000	1000	500	<=300
		a	b	c	d	e	f	g	h

Luminance Table

Gama(deg)	45	50	55	60	65	70	75	80	85
C0	3924	3933	3952	3979	4028	4107	4263	4667	6350
C90	3863	3864	3870	3884	3910	3956	4063	4402	5960

Luminance Limiting Curve



Luminous Size: Length(m)=0.255 Width(m)=0.255 Height(m)=0.095 Area(m^2)=0.089250

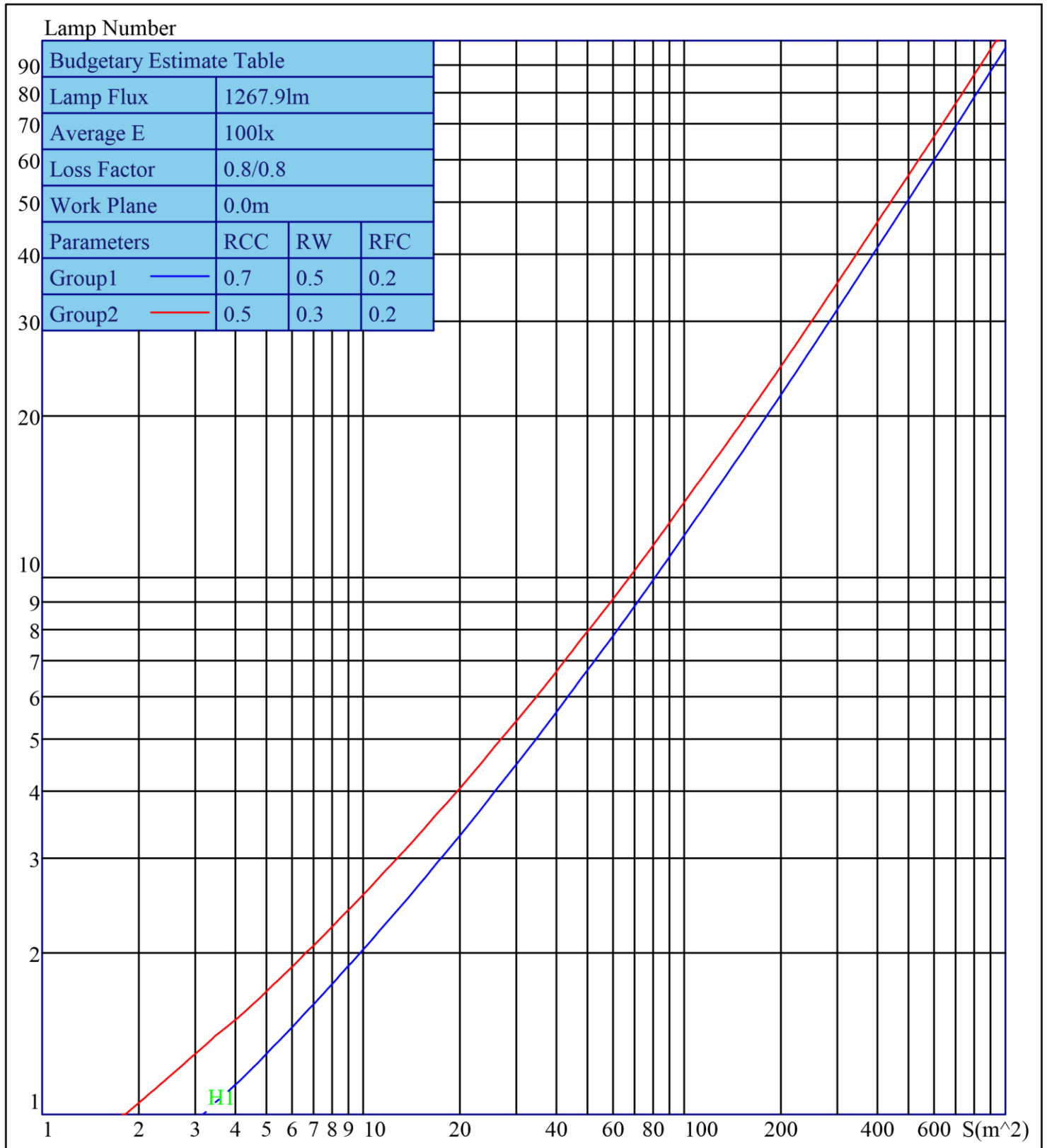
Luminous Type: Without Luminous Side

Luminous Curves: C0-C180 Color: — C90-C270 Color: —

IES Indoor Report Photometric

Filename:SBS14W.IES

Indoor Budgetary Estimate Table



Parameters1: Rhocc = 0.7 Rhow = 0.5 Rhofc = 0.2 LLF = 0.8
 Parameters2: Rhocc = 0.5 Rhow = 0.3 Rhofc = 0.2 LLF = 0.8
 Average Illuminance(lx): 100 Cavity Height: H1(m) = 2

IES Indoor Report Photometric

Filename:SBS14W.IES

Indoor Coefficient of Utilization Table

Coefficients of Utilization - Zonal Cavity Method						
	Coefficient Effective Floor Cavity Reflectance RFC=0.20					
RhoCC (%)	80	70	50	30	10	0
RhoW (%)	70 50 30 10	70 50 30 10	50 30 10	50 30 10	50 30 10	0
RCR	Coefficient of Utilization(%)					
0	89 89 89 89	86 86 86 86	80 80 80	75 75 75	70 70 70	68
1	80 76 72 69	77 73 70 67	69 66 63	64 62 60	60 58 57	54
2	72 65 60 55	69 63 58 54	59 55 51	55 52 49	52 49 47	44
3	66 57 51 45	63 55 49 44	52 47 42	49 44 41	46 42 39	37
4	60 50 43 38	57 49 42 37	46 40 36	43 38 34	40 36 33	31
5	55 45 38 32	53 43 37 32	41 35 31	38 34 30	36 32 29	27
6	51 40 33 28	49 39 32 28	37 31 27	35 30 26	33 28 25	23
7	47 36 29 25	45 35 29 24	33 28 24	32 27 23	30 25 22	20
8	44 33 26 22	42 32 26 22	30 25 21	29 24 20	27 23 20	18

IES Indoor Report Photometric

Filename:SBS14W.IES

9	41 30 24 20	39 29 23 19	28 23 19	27 22 18	25 21 18	16
10	38 28 22 18	37 27 21 17	26 21 17	25 20 17	23 19 16	15