

# IES Indoor Report

Photometric Filename:LEDBATTEN60W6K-2017-06-02.IES

## Indoor Luminaire Photometric Data

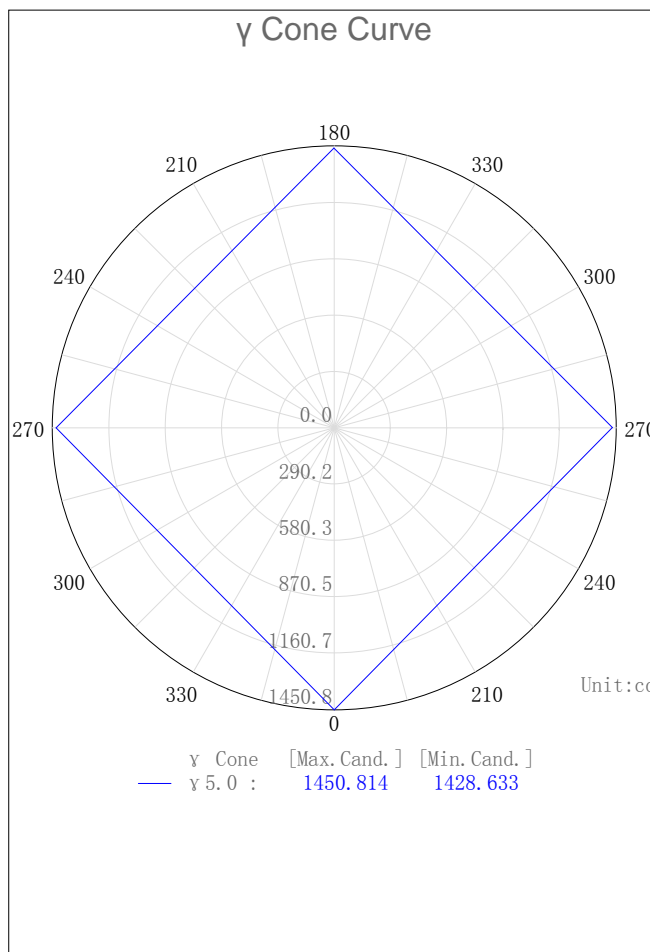
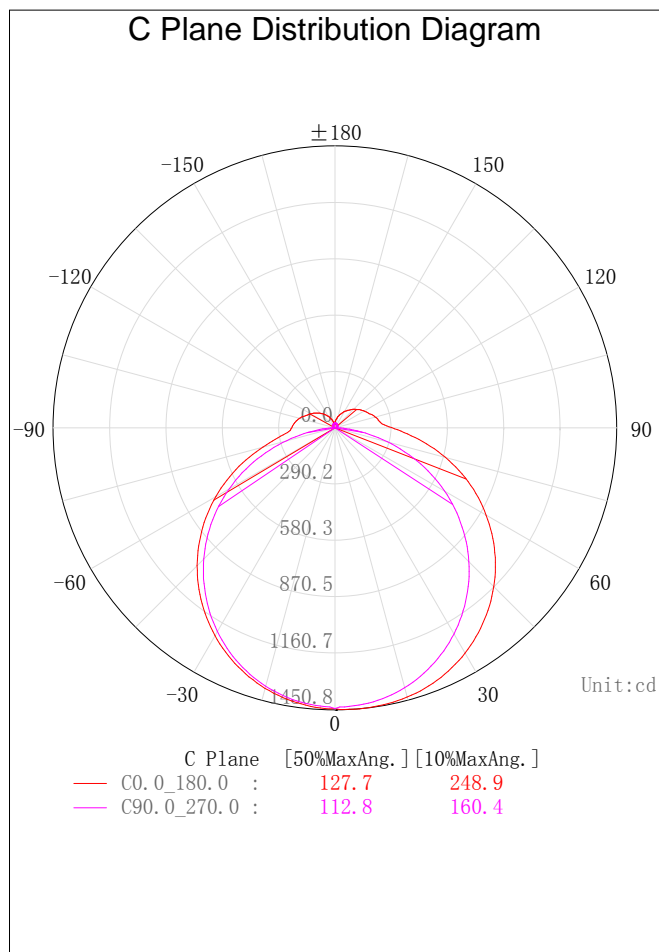
### Description Information

|   |                          |                       |
|---|--------------------------|-----------------------|
| Lum. Name: LEDBATTEN60W                 | Lum. Catalog: LED BATTEN | Test ID:              |
| Lamp Name: 6000K                        | Lamp Catalog: SMD2835    | Test Date: 2017/06/02 |
| Manufacture:                            | ShldAngle(°):            | Test Machine:GON-2000 |
| Test Lab:                               | Frequency (Hz):          | Lamp CCT (K): Ra:     |
| Lum. Size (W*L*H): 0.080m*1.500m*0.065m | Lum. Area (m2): 0.218    | Lum. W (kg): 0.000    |
| Test System: C, γ                       | Test Step: C=90.0 γ=1.0  | Temp. (°C): 25        |
|   |                          | Humidity (%):         |

### Character Parameter

| Lamp Speciality Parameter                    | Luminaire Speciality Parameter |  |
|--|--------------------------------|--|
| Rated Flux (lm): 5125.990                    | Luminaire Flux: 5125.990lm     | Field Angle(10%Imax): 248.9            |
| Rated Power (W):                             | Luminaire Efficiency: 100.00%  | Down Lumens&Percent: 4605.871lm 89.85% |
| Rated Voltage (V):                           | Luminaire EER (lm/W): 85.277   | Up Lumens&Percent: 520.120lm 10.15%    |
| Tested Power (W): 60.110                     | Max. Cand. (cd): 1450.814      | S/MH: C0_a180=1.324 C90_270=1.253      |
| Lamps' Inside: 1                             | Max Cand@Ang. (°): C=0.0 γ=5.0 | CIE Type: General Diffuse              |
| Tested Electric:U=239.7V, I=0.256A, PF=0.000 | Beam Angle(50%Imax): 127.7     | ErP Φ use (120°): 3372.210lm           |
| Lamp Size (W*L*H): 0.080m*1.500m*0.065m      | Left=-59.1 Right=68.6          | IRF: 101.397%                          |

### Lighting Distribution Diagram



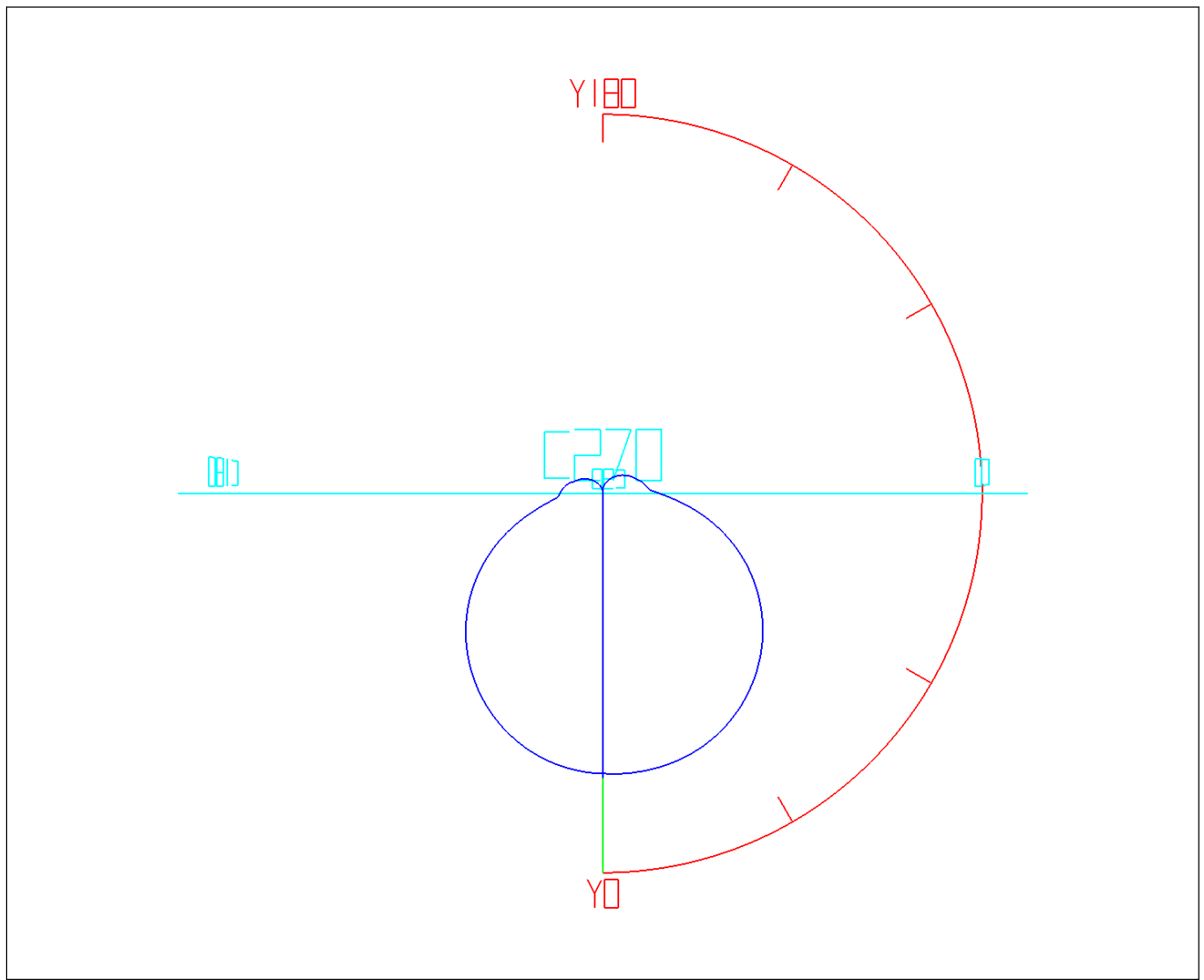
# IES Indoor Report

Photometric Filename:LEDBATTEN60W6K-2017-06-02.IES

## 3D Light Intensity Distribution Modal

|                         |                          |                       |
|-------------------------|--------------------------|-----------------------|
| Lum. Name: LEDBATTEN60W | Lum. Catalog: LED BATTEN | Test ID:              |
| Lamp Name: 6000K        | Lamp Catalog: SMD2835    | Test Lab:             |
| Manufacture:            | Test Machine:GON-2000    | Test Date: 2017/06/02 |

## 3D Light Intensity Distribution Modal



Curves: 3D Model — Fixture — Vert. HUD — Hori. HUD —  
View Angles: Orient:0 Tilt:0 Roll:0 Spin:0

# IES Indoor Report

Photometric Filename:LEDBATTEN60W6K-2017-06-02.IES

## Zonal Flux Tabulation

| Zone (γ)  | Zone Flux (lm) | Sums Flux (lm) | Zone%Lamp | Sums%Lamp | Zone (γ)  | Zone Flux (lm) | Sums Flux (lm) | Zone%Lamp | Sums%Lamp |
|-----------|----------------|----------------|-----------|-----------|-----------|----------------|----------------|-----------|-----------|
| 0.0-1.0   | 1.38           | 1.38           | 0.03      | 0.03      | 47.0-48.0 | 78.85          | 78.85          | 1.54      | 1.54      |
| 1.0-2.0   | 4.14           | 5.52           | 0.08      | 0.11      | 48.0-49.0 | 78.56          | 157.41         | 1.53      | 3.07      |
| 2.0-3.0   | 6.89           | 12.41          | 0.13      | 0.24      | 49.0-50.0 | 78.16          | 235.57         | 1.52      | 4.60      |
| 3.0-4.0   | 9.64           | 22.05          | 0.19      | 0.43      | 50.0-51.0 | 77.67          | 313.24         | 1.52      | 6.11      |
| 4.0-5.0   | 12.37          | 34.42          | 0.24      | 0.67      | 51.0-52.0 | 77.09          | 390.34         | 1.50      | 7.61      |
| 5.0-6.0   | 15.09          | 49.52          | 0.29      | 0.97      | 52.0-53.0 | 76.41          | 466.75         | 1.49      | 9.11      |
| 6.0-7.0   | 17.80          | 67.31          | 0.35      | 1.31      | 53.0-54.0 | 75.64          | 542.39         | 1.48      | 10.58     |
| 7.0-8.0   | 20.48          | 87.79          | 0.40      | 1.71      | 54.0-55.0 | 74.77          | 617.16         | 1.46      | 12.04     |
| 8.0-9.0   | 23.14          | 110.93         | 0.45      | 2.16      | 55.0-56.0 | 73.81          | 690.97         | 1.44      | 13.48     |
| 9.0-10.0  | 25.77          | 136.70         | 0.50      | 2.67      | 56.0-57.0 | 72.77          | 763.74         | 1.42      | 14.90     |
| 10.0-11.0 | 28.37          | 165.07         | 0.55      | 3.22      | 57.0-58.0 | 71.63          | 835.36         | 1.40      | 16.30     |
| 11.0-12.0 | 30.93          | 196.00         | 0.60      | 3.82      | 58.0-59.0 | 70.39          | 905.76         | 1.37      | 17.67     |
| 12.0-13.0 | 33.46          | 229.46         | 0.65      | 4.48      | 59.0-60.0 | 69.08          | 974.84         | 1.35      | 19.02     |
| 13.0-14.0 | 35.95          | 265.41         | 0.70      | 5.18      | 60.0-61.0 | 67.68          | 1042.51        | 1.32      | 20.34     |
| 14.0-15.0 | 38.39          | 303.81         | 0.75      | 5.93      | 61.0-62.0 | 66.20          | 1108.72        | 1.29      | 21.63     |
| 15.0-16.0 | 40.79          | 344.60         | 0.80      | 6.72      | 62.0-63.0 | 64.65          | 1173.37        | 1.26      | 22.89     |
| 16.0-17.0 | 43.15          | 387.75         | 0.84      | 7.56      | 63.0-64.0 | 63.02          | 1236.39        | 1.23      | 24.12     |
| 17.0-18.0 | 45.44          | 433.19         | 0.89      | 8.45      | 64.0-65.0 | 61.30          | 1297.70        | 1.20      | 25.32     |
| 18.0-19.0 | 47.68          | 480.86         | 0.93      | 9.38      | 65.0-66.0 | 59.52          | 1357.21        | 1.16      | 26.48     |
| 19.0-20.0 | 49.86          | 530.72         | 0.97      | 10.35     | 66.0-67.0 | 57.66          | 1414.88        | 1.12      | 27.60     |
| 20.0-21.0 | 51.98          | 582.70         | 1.01      | 11.37     | 67.0-68.0 | 55.75          | 1470.63        | 1.09      | 28.69     |
| 21.0-22.0 | 54.04          | 636.74         | 1.05      | 12.42     | 68.0-69.0 | 53.77          | 1524.40        | 1.05      | 29.74     |
| 22.0-23.0 | 56.03          | 692.77         | 1.09      | 13.51     | 69.0-70.0 | 51.74          | 1576.13        | 1.01      | 30.75     |
| 23.0-24.0 | 57.95          | 750.72         | 1.13      | 14.65     | 70.0-71.0 | 49.65          | 1625.78        | 0.97      | 31.72     |
| 24.0-25.0 | 59.80          | 810.52         | 1.17      | 15.81     | 71.0-72.0 | 47.52          | 1673.31        | 0.93      | 32.64     |
| 25.0-26.0 | 61.58          | 872.10         | 1.20      | 17.01     | 72.0-73.0 | 45.36          | 1718.67        | 0.88      | 33.53     |
| 26.0-27.0 | 63.28          | 935.38         | 1.23      | 18.25     | 73.0-74.0 | 43.17          | 1761.83        | 0.84      | 34.37     |
| 27.0-28.0 | 64.90          | 1000.28        | 1.27      | 19.51     | 74.0-75.0 | 40.96          | 1802.79        | 0.80      | 35.17     |
| 28.0-29.0 | 66.45          | 1066.73        | 1.30      | 20.81     | 75.0-76.0 | 38.74          | 1841.53        | 0.76      | 35.93     |
| 29.0-30.0 | 67.91          | 1134.64        | 1.32      | 22.13     | 76.0-77.0 | 36.53          | 1878.07        | 0.71      | 36.64     |
| 30.0-31.0 | 69.29          | 1203.92        | 1.35      | 23.49     | 77.0-78.0 | 34.34          | 1912.41        | 0.67      | 37.31     |
| 31.0-32.0 | 70.58          | 1274.51        | 1.38      | 24.86     | 78.0-79.0 | 32.18          | 1944.59        | 0.63      | 37.94     |
| 32.0-33.0 | 71.79          | 1346.30        | 1.40      | 26.26     | 79.0-80.0 | 30.05          | 1974.64        | 0.59      | 38.52     |
| 33.0-34.0 | 72.91          | 1419.21        | 1.42      | 27.69     | 80.0-81.0 | 27.97          | 2002.61        | 0.55      | 39.07     |
| 34.0-35.0 | 73.94          | 1493.15        | 1.44      | 29.13     | 81.0-82.0 | 25.94          | 2028.55        | 0.51      | 39.57     |
| 35.0-36.0 | 74.88          | 1568.03        | 1.46      | 30.59     | 82.0-83.0 | 23.98          | 2052.53        | 0.47      | 40.04     |
| 36.0-37.0 | 75.73          | 1643.76        | 1.48      | 32.07     | 83.0-84.0 | 22.14          | 2074.67        | 0.43      | 40.47     |
| 37.0-38.0 | 76.49          | 1720.25        | 1.49      | 33.56     | 84.0-85.0 | 20.44          | 2095.11        | 0.40      | 40.87     |
| 38.0-39.0 | 77.16          | 1797.41        | 1.51      | 35.06     | 85.0-86.0 | 18.93          | 2114.04        | 0.37      | 41.24     |
| 39.0-40.0 | 77.73          | 1875.13        | 1.52      | 36.58     | 86.0-87.0 | 17.61          | 2131.65        | 0.34      | 41.59     |
| 40.0-41.0 | 78.21          | 1953.34        | 1.53      | 38.11     | 87.0-88.0 | 16.51          | 2148.15        | 0.32      | 41.91     |
| 41.0-42.0 | 78.58          | 2031.92        | 1.53      | 39.64     | 88.0-89.0 | 15.62          | 2163.77        | 0.30      | 42.21     |
| 42.0-43.0 | 78.86          | 2110.79        | 1.54      | 41.18     | 89.0-90.0 | 14.90          | 2178.67        | 0.29      | 42.50     |
| 43.0-44.0 | 79.06          | 2189.84        | 1.54      | 42.72     | 90.0-91.0 | 14.33          | 2193.00        | 0.28      | 42.78     |
| 44.0-45.0 | 79.16          | 2269.00        | 1.54      | 44.26     | 91.0-92.0 | 13.88          | 2206.88        | 0.27      | 43.05     |
| 45.0-46.0 | 79.15          | 2348.16        | 1.54      | 45.81     | 92.0-93.0 | 13.50          | 2220.38        | 0.26      | 43.32     |
| 46.0-47.0 | 79.05          | 2427.20        | 1.54      | 47.35     | 93.0-94.0 | 13.17          | 2233.54        | 0.26      | 43.57     |

# IES Indoor Report

Photometric Filename: LEDBATTEN60W6K-2017-06-02.IES

## Zonal Flux Tabulation - (Cont.)

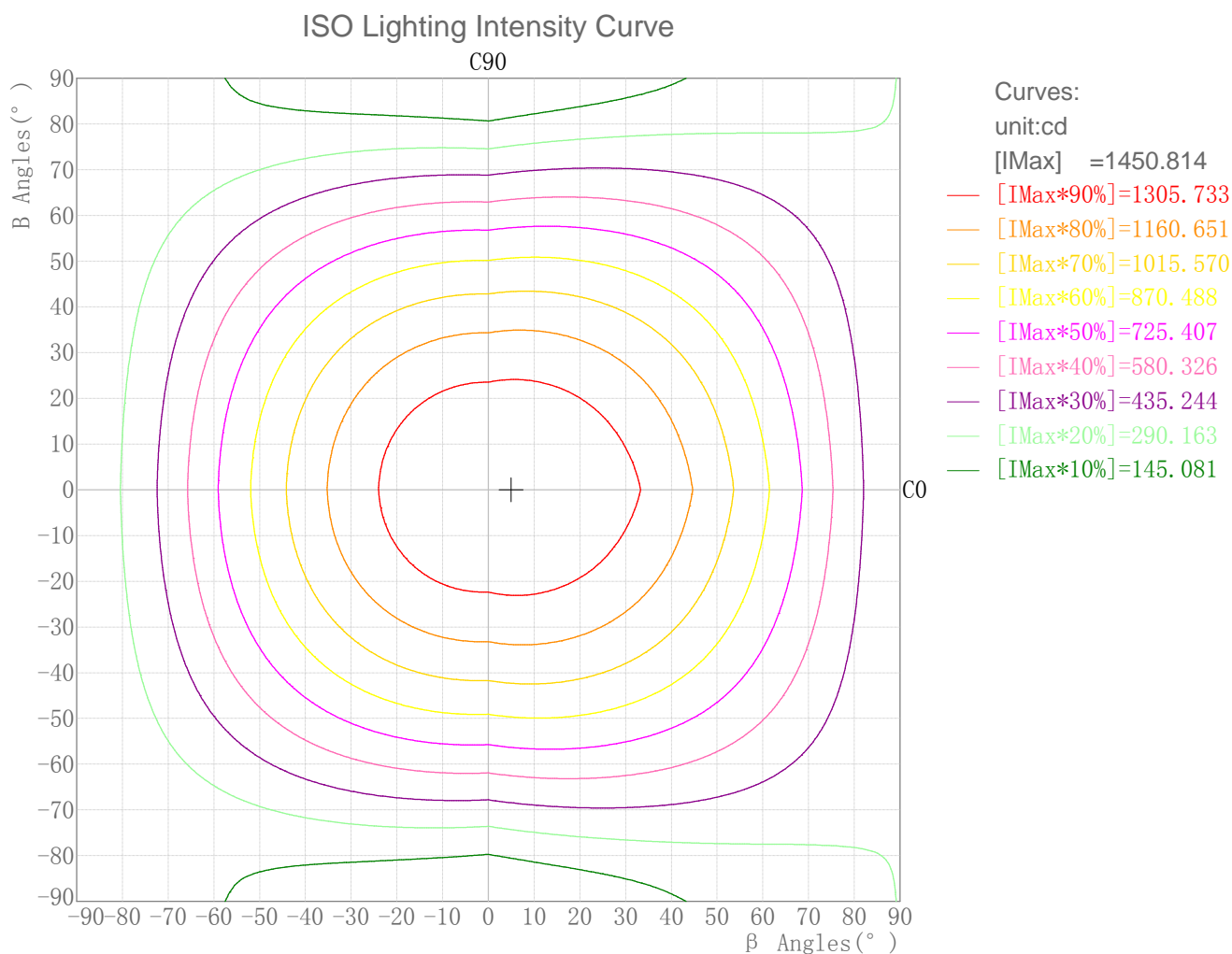
| Zone (γ)    | Zone Flux (lm) | Sums Flux (lm) | Zone%Lamp | Sums%Lamp | Zone (γ)    | Zone Flux (lm) | Sums Flux (lm) | Zone%Lamp | Sums%Lamp |
|-------------|----------------|----------------|-----------|-----------|-------------|----------------|----------------|-----------|-----------|
| 94.0-95.0   | 12.90          | 12.90          | 0.25      | 0.25      | 141.0-142.0 | 4.01           | 4.01           | 0.08      | 0.08      |
| 95.0-96.0   | 12.69          | 25.59          | 0.25      | 0.50      | 142.0-143.0 | 3.86           | 7.87           | 0.08      | 0.15      |
| 96.0-97.0   | 12.51          | 38.10          | 0.24      | 0.74      | 143.0-144.0 | 3.70           | 11.58          | 0.07      | 0.23      |
| 97.0-98.0   | 12.36          | 50.46          | 0.24      | 0.98      | 144.0-145.0 | 3.54           | 15.11          | 0.07      | 0.29      |
| 98.0-99.0   | 12.21          | 62.68          | 0.24      | 1.22      | 145.0-146.0 | 3.38           | 18.49          | 0.07      | 0.36      |
| 99.0-100.0  | 12.06          | 74.74          | 0.24      | 1.46      | 146.0-147.0 | 3.22           | 21.72          | 0.06      | 0.42      |
| 100.0-101.0 | 11.90          | 86.64          | 0.23      | 1.69      | 147.0-148.0 | 3.07           | 24.79          | 0.06      | 0.48      |
| 101.0-102.0 | 11.73          | 98.37          | 0.23      | 1.92      | 148.0-149.0 | 2.93           | 27.72          | 0.06      | 0.54      |
| 102.0-103.0 | 11.56          | 109.93         | 0.23      | 2.14      | 149.0-150.0 | 2.79           | 30.51          | 0.05      | 0.60      |
| 103.0-104.0 | 11.39          | 121.32         | 0.22      | 2.37      | 150.0-151.0 | 2.65           | 33.16          | 0.05      | 0.65      |
| 104.0-105.0 | 11.21          | 132.53         | 0.22      | 2.59      | 151.0-152.0 | 2.50           | 35.66          | 0.05      | 0.70      |
| 105.0-106.0 | 11.03          | 143.56         | 0.22      | 2.80      | 152.0-153.0 | 2.36           | 38.02          | 0.05      | 0.74      |
| 106.0-107.0 | 10.84          | 154.39         | 0.21      | 3.01      | 153.0-154.0 | 2.22           | 40.24          | 0.04      | 0.78      |
| 107.0-108.0 | 10.64          | 165.03         | 0.21      | 3.22      | 154.0-155.0 | 2.08           | 42.32          | 0.04      | 0.83      |
| 108.0-109.0 | 10.42          | 175.45         | 0.20      | 3.42      | 155.0-156.0 | 1.96           | 44.27          | 0.04      | 0.86      |
| 109.0-110.0 | 10.16          | 185.61         | 0.20      | 3.62      | 156.0-157.0 | 1.83           | 46.11          | 0.04      | 0.90      |
| 110.0-111.0 | 9.88           | 195.49         | 0.19      | 3.81      | 157.0-158.0 | 1.72           | 47.83          | 0.03      | 0.93      |
| 111.0-112.0 | 9.64           | 205.13         | 0.19      | 4.00      | 158.0-159.0 | 1.60           | 49.43          | 0.03      | 0.96      |
| 112.0-113.0 | 9.44           | 214.58         | 0.18      | 4.19      | 159.0-160.0 | 1.49           | 50.92          | 0.03      | 0.99      |
| 113.0-114.0 | 9.26           | 223.83         | 0.18      | 4.37      | 160.0-161.0 | 1.38           | 52.29          | 0.03      | 1.02      |
| 114.0-115.0 | 9.08           | 232.91         | 0.18      | 4.54      | 161.0-162.0 | 1.27           | 53.57          | 0.02      | 1.04      |
| 115.0-116.0 | 8.90           | 241.81         | 0.17      | 4.72      | 162.0-163.0 | 1.17           | 54.74          | 0.02      | 1.07      |
| 116.0-117.0 | 8.72           | 250.53         | 0.17      | 4.89      | 163.0-164.0 | 1.07           | 55.81          | 0.02      | 1.09      |
| 117.0-118.0 | 8.53           | 259.05         | 0.17      | 5.05      | 164.0-165.0 | 0.98           | 56.79          | 0.02      | 1.11      |
| 118.0-119.0 | 8.33           | 267.38         | 0.16      | 5.22      | 165.0-166.0 | 0.89           | 57.69          | 0.02      | 1.13      |
| 119.0-120.0 | 8.14           | 275.52         | 0.16      | 5.37      | 166.0-167.0 | 0.81           | 58.50          | 0.02      | 1.14      |
| 120.0-121.0 | 7.95           | 283.47         | 0.16      | 5.53      | 167.0-168.0 | 0.73           | 59.22          | 0.01      | 1.16      |
| 121.0-122.0 | 7.76           | 291.22         | 0.15      | 5.68      | 168.0-169.0 | 0.65           | 59.87          | 0.01      | 1.17      |
| 122.0-123.0 | 7.57           | 298.79         | 0.15      | 5.83      | 169.0-170.0 | 0.57           | 60.44          | 0.01      | 1.18      |
| 123.0-124.0 | 7.38           | 306.17         | 0.14      | 5.97      | 170.0-171.0 | 0.50           | 60.93          | 0.01      | 1.19      |
| 124.0-125.0 | 7.19           | 313.36         | 0.14      | 6.11      | 171.0-172.0 | 0.43           | 61.37          | 0.01      | 1.20      |
| 125.0-126.0 | 7.00           | 320.36         | 0.14      | 6.25      | 172.0-173.0 | 0.37           | 61.73          | 0.01      | 1.20      |
| 126.0-127.0 | 6.80           | 327.16         | 0.13      | 6.38      | 173.0-174.0 | 0.31           | 62.04          | 0.01      | 1.21      |
| 127.0-128.0 | 6.60           | 333.76         | 0.13      | 6.51      | 174.0-175.0 | 0.26           | 62.30          | 0.00      | 1.22      |
| 128.0-129.0 | 6.38           | 340.15         | 0.12      | 6.64      | 175.0-176.0 | 0.20           | 62.50          | 0.00      | 1.22      |
| 129.0-130.0 | 6.19           | 346.33         | 0.12      | 6.76      | 176.0-177.0 | 0.16           | 62.66          | 0.00      | 1.22      |
| 130.0-131.0 | 6.01           | 352.35         | 0.12      | 6.87      | 177.0-178.0 | 0.11           | 62.77          | 0.00      | 1.22      |
| 131.0-132.0 | 5.84           | 358.19         | 0.11      | 6.99      | 178.0-179.0 | 0.07           | 62.84          | 0.00      | 1.23      |
| 132.0-133.0 | 5.66           | 363.85         | 0.11      | 7.10      | 179.0-180.0 | 0.02           | 62.86          | 0.00      | 1.23      |
| 133.0-134.0 | 5.47           | 369.32         | 0.11      | 7.20      |             |                |                |           |           |
| 134.0-135.0 | 5.28           | 374.61         | 0.10      | 7.31      |             |                |                |           |           |
| 135.0-136.0 | 5.10           | 379.71         | 0.10      | 7.41      |             |                |                |           |           |
| 136.0-137.0 | 4.91           | 384.61         | 0.10      | 7.50      |             |                |                |           |           |
| 137.0-138.0 | 4.72           | 389.33         | 0.09      | 7.60      |             |                |                |           |           |
| 138.0-139.0 | 4.53           | 393.86         | 0.09      | 7.68      |             |                |                |           |           |
| 139.0-140.0 | 4.35           | 398.21         | 0.08      | 7.77      |             |                |                |           |           |
| 140.0-141.0 | 4.18           | 402.39         | 0.08      | 7.85      |             |                |                |           |           |

# IES Indoor Report

Photometric Filename:LEDBATTEN60W6K-2017-06-02.IES

## Rectangle ISO Lighting Intensity Diagram

|                         |                          |                       |
|-------------------------|--------------------------|-----------------------|
| Lum. Name: LEDBATTEN60W | Lum. Catalog: LED BATTEN | Test ID:              |
| Lamp Name: 6000K        | Lamp Catalog: SMD2835    | Test Lab:             |
| Manufacture:            | Test Machine:GON-2000    | Test Date: 2017/06/02 |



Maximum Light Intensity(cd): 1450.81  
Maximum Cand.@Angle: H=5.0°;V=0.0°

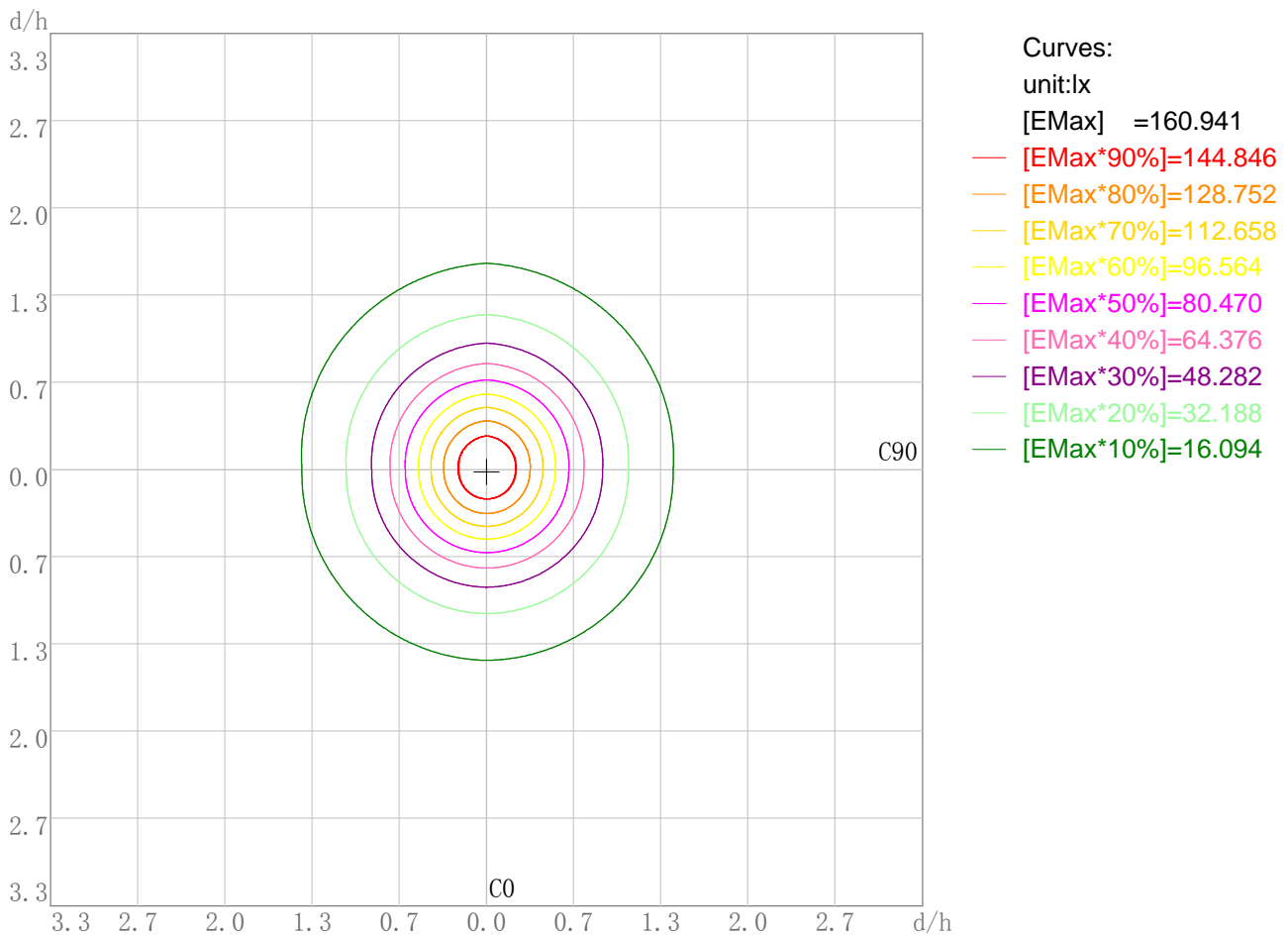
# IES Indoor Report

Photometric Filename:LEDBATTEN60W6K-2017-06-02.IES

## Plane ISO-Illuminance Diagram

|                         |                          |                       |
|-------------------------|--------------------------|-----------------------|
| Lum. Name: LEDBATTEN60W | Lum. Catalog: LED BATTEN | Test ID:              |
| Lamp Name: 6000K        | Lamp Catalog: SMD2835    | Test Lab:             |
| Manufacture:            | Test Machine:GON-2000    | Test Date: 2017/06/02 |

### Plane ISO-Illuminance Curve



Working Plane Luminaire Mounting Height(m): 3.00  
 Working Plane Maximum Illuminance(lx): 160.94  
 Working Plane Maximum Illuminance Position(d/h):H0.0 V0.0

# IES Indoor Report

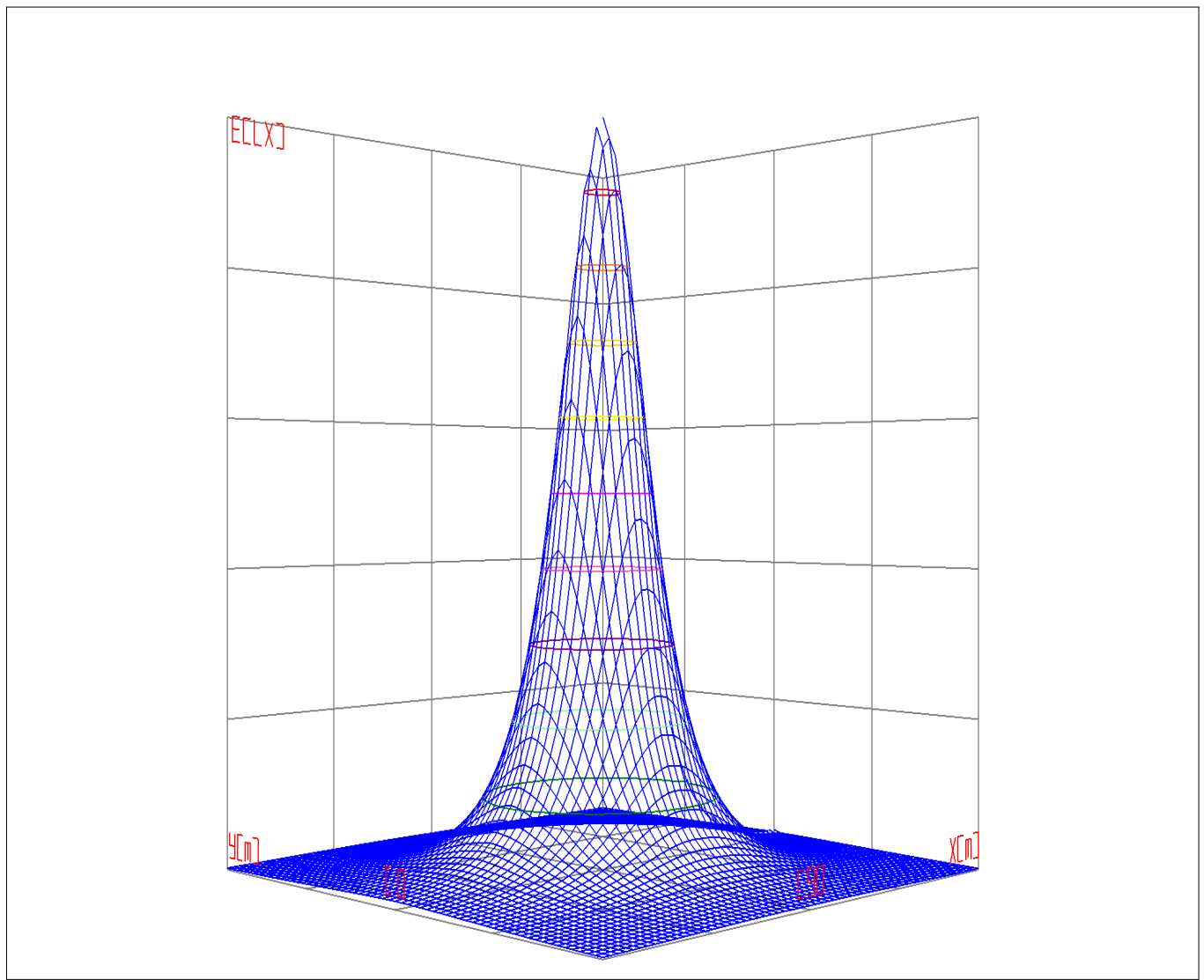
Photometric Filename:LEDBATTEN60W6K-2017-06-02.IES

---

## 3D Plane ISO Illuminance Diagram

|                         |                          |                       |
|-------------------------|--------------------------|-----------------------|
| Lum. Name: LEDBATTEN60W | Lum. Catalog: LED BATTEN | Test ID:              |
| Lamp Name: 6000K        | Lamp Catalog: SMD2835    | Test Lab:             |
| Manufacture:            | Test Machine:GON-2000    | Test Date: 2017/06/02 |

### 3D Plane Illuminance Modal



Curves: 3D Model — 90% — 80% — 70% — 60% — 50% — 40% — 30% — 20% — 10% —  
View Angles(deg): 0 Height(m): 3.0 Distance(m): 10.0

---

# IES Indoor Report

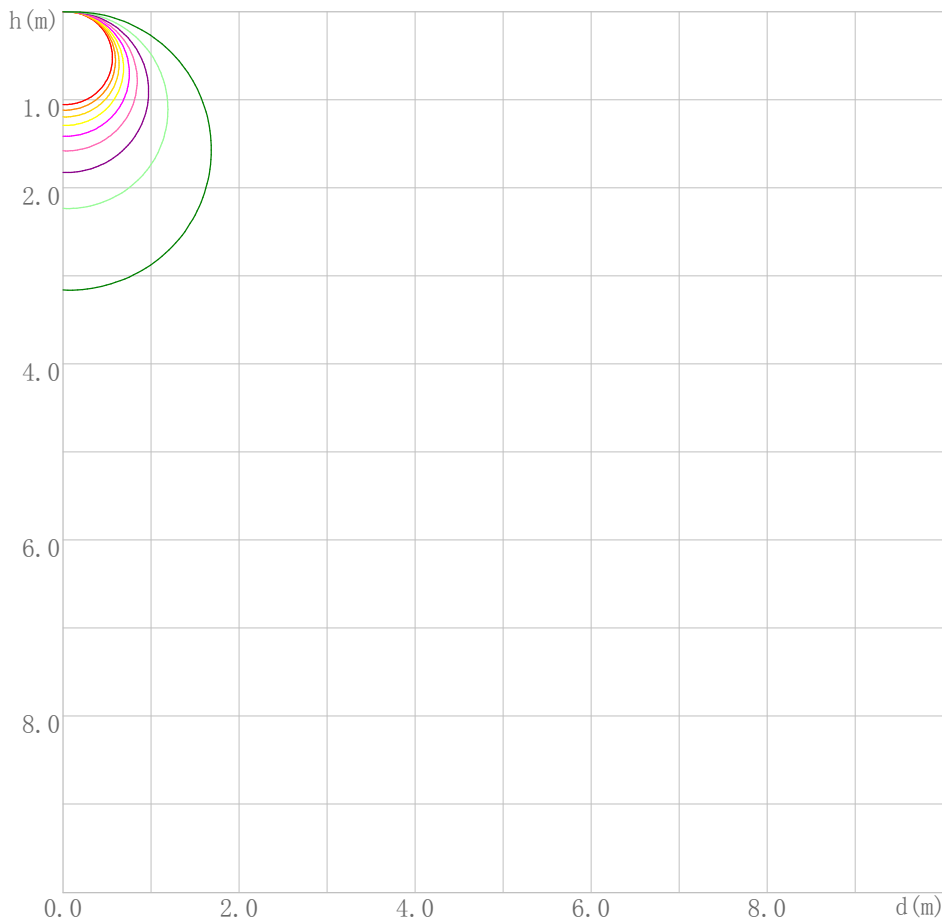
Photometric Filename:LEDBATTEN60W6K-2017-06-02.IES

---

## Space ISO Illuminance Diagram

|                         |                          |                       |
|-------------------------|--------------------------|-----------------------|
| Lum. Name: LEDBATTEN60W | Lum. Catalog: LED BATTEN | Test ID:              |
| Lamp Name: 6000K        | Lamp Catalog: SMD2835    | Test Lab:             |
| Manufacture:            | Test Machine:GON-2000    | Test Date: 2017/06/02 |

Space ISO Illuminance Curve



Curves:

unit:lx

[EMax] =1448.465

— [EMax\*90%]=1303.618

— [EMax\*80%]=1158.772

— [EMax\*70%]=1013.925

— [EMax\*60%]=869.079

— [EMax\*50%]=724.232

— [EMax\*40%]=579.386

— [EMax\*30%]=434.539

— [EMax\*20%]=289.693

— [EMax\*10%]=144.846

Space Plane Maximum Illuminance and @Angle:1448.46,1.0deg

Plane Maximum Lighting Intensity and @Angle:1450.814cd,0deg

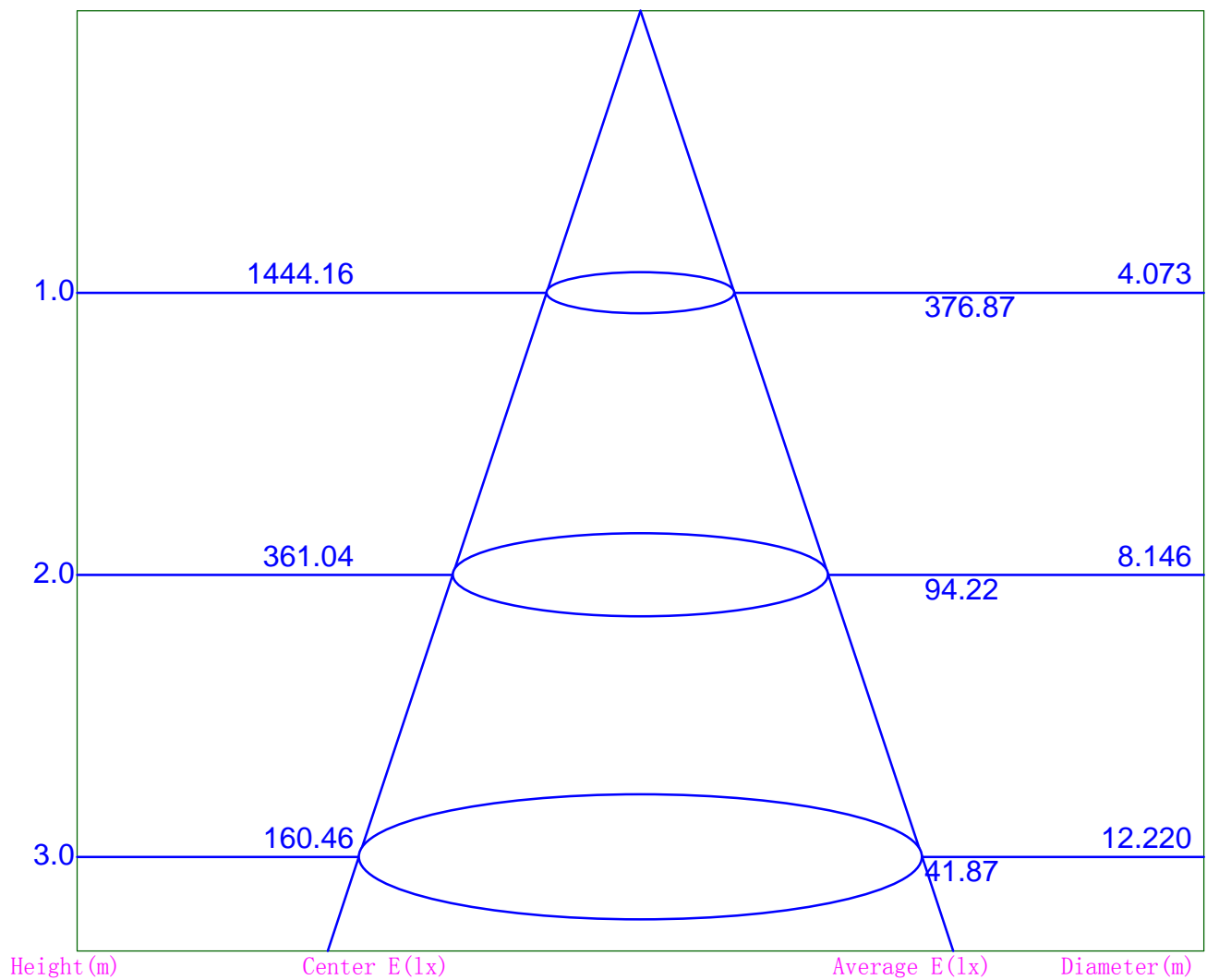
---



**Illuminance-Distance Diagram**

|                         |                          |                       |
|-------------------------|--------------------------|-----------------------|
| Lum. Name: LEDBATTEN60W | Lum. Catalog: LED BATTEN | Test ID:              |
| Lamp Name: 6000K        | Lamp Catalog: SMD2835    | Test Lab:             |
| Manufacture:            | Test Machine:GON-2000    | Test Date: 2017/06/02 |

Illuminance-Distance Curve



**Beam Angle:127.7**

---

# IES Indoor Report

Photometric Filename:LEDBATTEN60W6K-2017-06-02.IES

## Indoor Luminance Limiting Curves

|                         |                          |                       |
|-------------------------|--------------------------|-----------------------|
| Lum. Name: LEDBATTEN60W | Lum. Catalog: LED BATTEN | Test ID:              |
| Lamp Name: 6000K        | Lamp Catalog: SMD2835    | Test Lab:             |
| Manufacture:            | Test Machine:GON-2000    | Test Date: 2017/06/02 |

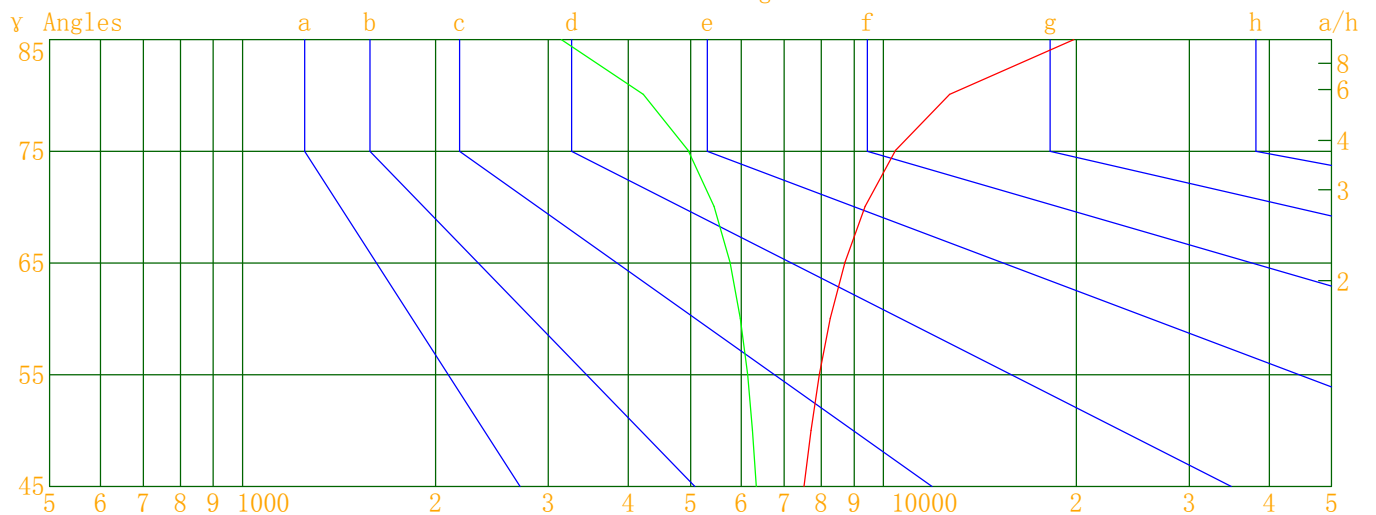
Glare Grade Table

| GI   | Quality | Using Illuminance |      |      |       |       |       |       |       |
|------|---------|-------------------|------|------|-------|-------|-------|-------|-------|
| 1.15 | A       | 2000              | 1000 | 500  | <=300 |       |       |       |       |
| 1.5  | B       |                   | 2000 | 1000 | 500   | <=300 |       |       |       |
| 1.85 | C       |                   |      | 2000 | 1000  | 500   | <=300 |       |       |
| 2.2  | D       |                   |      |      | 2000  | 1000  | 500   | <=300 |       |
| 2.55 | E       | a                 |      |      |       | 2000  | 1000  | 500   | <=300 |
|      |         |                   | b    | c    | d     | e     | f     | g     | h     |

Luminance Table

| Gama (deg) | 45   | 50   | 55   | 60   | 65   | 70   | 75    | 80    | 85    |
|------------|------|------|------|------|------|------|-------|-------|-------|
| C0         | 7515 | 7708 | 7947 | 8264 | 8711 | 9362 | 10448 | 12689 | 19805 |
| C90        | 6334 | 6249 | 6136 | 5982 | 5761 | 5439 | 4957  | 4221  | 3146  |

Luminance Limiting Curve



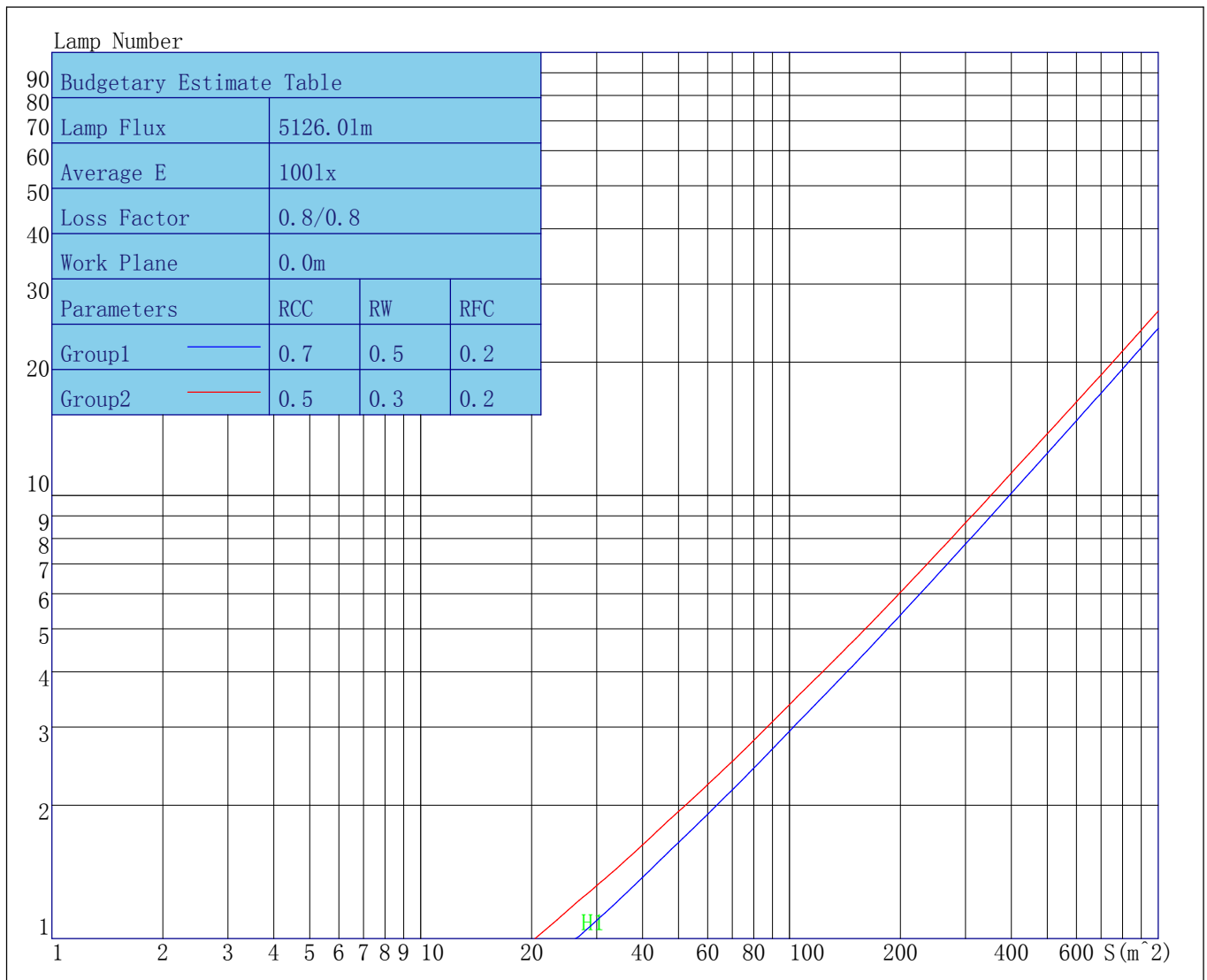
Luminous Size: Length(m)=1.500 Width(m)=0.080 Height(m)=0.065 Area(m<sup>2</sup>)=0.217500  
 Luminous Type: Without Luminous Side  
 Luminous Curves: C0-C180 Color: ——— C90-C270 Color: ———

# IES Indoor Report

Photometric Filename: LEDBATTEN60W6K-2017-06-02.IES

## Indoor Budgetary Estimate Table

|                         |                          |                       |
|-------------------------|--------------------------|-----------------------|
| Lum. Name: LEDBATTEN60W | Lum. Catalog: LED BATTEN | Test ID:              |
| Lamp Name: 6000K        | Lamp Catalog: SMD2835    | Test Lab:             |
| Manufacture:            | Test Machine: GON-2000   | Test Date: 2017/06/02 |



Parameters1: Rhocc = 0.7 Rhow = 0.5 Rhofc = 0.2 LLF = 0.8

Parameters2: Rhocc = 0.5 Rhow = 0.3 Rhofc = 0.2 LLF = 0.8

Average Illuminance(lx): 100 Cavity Height: H1(m) = 2

# IES Indoor Report

Photometric Filename:LEDBATTEN60W6K-2017-06-02.IES

## Indoor Coefficient of Utilization Table

|                         |                          |                       |
|-------------------------|--------------------------|-----------------------|
| Lum. Name: LEDBATTEN60W | Lum. Catalog: LED BATTEN | Test ID:              |
| Lamp Name: 6000K        | Lamp Catalog: SMD2835    | Test Lab:             |
| Manufacture:            | Test Machine:GON-2000    | Test Date: 2017/06/02 |

| Coefficients of Utilization - Zonal Cavity Method |   |     |     |     |     |     |     |     |     |     |     |    |    |    |    |    |    |    |
|---|---|-----|-----|-----|-----|-----|-----|-----|-----|-----|-----|----|----|----|----|----|----|----|
| Coef.   | Effective Floor Cavity Reflectance RFC=0.20 |     |     |     |     |     |     |     |     |     |     |    |    |    |    |    |    |    |
| RhoCC (%)   | 80  |     |     |     | 70  |     |     |     | 50  |     |     | 30 |    |    | 10 |    |    | 0  |
| RhoW (%)  | 70  | 50  | 30  | 10  | 70  | 50  | 30  | 10  | 50  | 30  | 10  | 50 | 30 | 10 | 50 | 30 | 10 | 0  |
| RCR   | Coefficient of Utilization (%)              |     |     |     |     |     |     |     |     |     |     |    |    |    |    |    |    |    |
| 0   | 117   | 117 | 117 | 117 | 113 | 113 | 113 | 113 | 105 | 105 | 105 | 99 | 99 | 99 | 93 | 93 | 93 | 90 |
| 1   | 105   | 100 | 95  | 91  | 101 | 97  | 92  | 89  | 91  | 87  | 84  | 85 | 82 | 80 | 80 | 77 | 75 | 73 |
| 2   | 95  | 86  | 79  | 73  | 92  | 84  | 77  | 71  | 78  | 73  | 68  | 74 | 69 | 65 | 69 | 65 | 62 | 59 |
| 3   | 86  | 75  | 67  | 60  | 83  | 73  | 65  | 59  | 69  | 62  | 57  | 64 | 59 | 54 | 61 | 56 | 52 | 49 |
| 4   | 79  | 67  | 57  | 51  | 76  | 64  | 56  | 50  | 61  | 54  | 48  | 57 | 51 | 46 | 54 | 49 | 44 | 42 |
| 5   | 72  | 59  | 50  | 43  | 70  | 57  | 49  | 42  | 54  | 47  | 41  | 51 | 45 | 40 | 48 | 43 | 38 | 36 |
| 6   | 67  | 53  | 44  | 37  | 64  | 52  | 43  | 37  | 49  | 41  | 36  | 46 | 40 | 35 | 44 | 38 | 34 | 31 |
| 7   | 62  | 48  | 39  | 33  | 59  | 47  | 38  | 32  | 44  | 37  | 32  | 42 | 35 | 31 | 40 | 34 | 30 | 28 |
| 8   | 57  | 44  | 35  | 29  | 55  | 43  | 34  | 29  | 40  | 33  | 28  | 38 | 32 | 27 | 36 | 31 | 26 | 24 |
| 9   | 54  | 40  | 32  | 26  | 52  | 39  | 31  | 26  | 37  | 30  | 25  | 35 | 29 | 24 | 34 | 28 | 24 | 22 |
| 10  | 50  | 37  | 29  | 24  | 48  | 36  | 28  | 23  | 34  | 27  | 23  | 33 | 27 | 22 | 31 | 26 | 22 | 20 |

# IES Indoor Report

Photometric Filename:LEDBATTEN60W6K-2017-06-02.IES

## Unified Glare Rating Table

|                         |                          |                       |
|-------------------------|--------------------------|-----------------------|
| Lum. Name: LEDBATTEN60W | Lum. Catalog: LED BATTEN | Test ID:              |
| Lamp Name: 6000K        | Lamp Catalog: SMD2835    | Test Lab:             |
| Manufacture:            | Test Machine:GON-2000    | Test Date: 2017/06/02 |

## Unified Glare Rating Table

|   |                  |      |      |      |      |                |      |      |      |      |
|---|------------------|------|------|------|------|----------------|------|------|------|------|
| Ceiling RCC                                       | 0.70             | 0.70 | 0.50 | 0.50 | 0.30 | 0.70           | 0.70 | 0.50 | 0.50 | 0.30 |
| Wall RW   | 0.50             | 0.30 | 0.50 | 0.30 | 0.30 | 0.50           | 0.30 | 0.50 | 0.30 | 0.30 |
| Floor RFC   | 0.20             | 0.20 | 0.20 | 0.20 | 0.20 | 0.20           | 0.20 | 0.20 | 0.20 | 0.20 |
| Room Size   | Viewed crosswise |      |      |      |      | Viewed endwise |      |      |      |      |
| X=2H Y=2H   | 17.1             | 20.5 | 18.3 | 21.7 | 22.9 | 15.5           | 18.9 | 16.7 | 20.1 | 21.3 |
| Y=3H  | 23.4             | 26.7 | 24.5 | 27.9 | 29.1 | 20.2           | 23.5 | 21.3 | 24.7 | 25.9 |
| Y=4H  | 27.3             | 30.3 | 28.5 | 31.5 | 32.7 | 22.8           | 25.8 | 24.0 | 27.0 | 28.2 |
| Y=6H  | 30.8             | 33.7 | 32.0 | 34.9 | 36.1 | 24.5           | 27.3 | 25.7 | 28.5 | 29.8 |
| Y=8H  | 32.6             | 35.5 | 33.9 | 36.7 | 37.9 | 25.0           | 27.8 | 26.2 | 29.0 | 30.3 |
| Y=12H   | 34.6             | 37.4 | 35.8 | 38.7 | 39.9 | 25.3           | 28.1 | 26.5 | 29.3 | 30.6 |
| X=4H Y=2H   | 18.5             | 21.5 | 19.8 | 22.7 | 23.9 | 18.0           | 21.0 | 19.2 | 22.2 | 23.4 |
| Y=3H  | 25.0             | 28.0 | 26.2 | 29.2 | 30.4 | 22.9           | 25.9 | 24.1 | 27.1 | 28.3 |
| Y=4H  | 27.5             | 29.3 | 29.0 | 30.8 | 32.3 | 24.2           | 26.0 | 25.7 | 27.5 | 28.9 |
| Y=6H  | 31.6             | 33.3 | 33.1 | 34.8 | 36.2 | 26.4           | 28.1 | 28.0 | 29.6 | 31.1 |
| Y=8H  | 33.8             | 35.4 | 35.4 | 36.9 | 38.4 | 27.3           | 28.9 | 28.8 | 30.4 | 31.9 |
| Y=12H   | 35.4             | 36.7 | 37.0 | 38.3 | 39.9 | 27.0           | 28.4 | 28.6 | 30.0 | 31.5 |
| X=8H Y=4H   | 27.9             | 29.5 | 29.4 | 31.0 | 32.5 | 25.3           | 26.9 | 26.8 | 28.4 | 29.8 |
| Y=6H  | 31.5             | 32.6 | 33.2 | 34.3 | 35.8 | 27.2           | 28.4 | 28.9 | 30.0 | 31.5 |
| Y=8H  | 33.5             | 34.4 | 35.3 | 36.1 | 37.8 | 28.0           | 28.9 | 29.7 | 30.6 | 32.2 |
| Y=12H   | 36.4             | 37.3 | 38.2 | 39.0 | 40.6 | 29.1           | 29.9 | 30.8 | 31.6 | 33.2 |
| X=12H Y=4H  | 27.0             | 28.4 | 28.6 | 30.0 | 31.5 | 24.6           | 26.0 | 26.3 | 27.6 | 29.1 |
| Y=6H  | 31.1             | 32.0 | 32.8 | 33.7 | 35.3 | 27.1           | 28.1 | 28.8 | 29.8 | 31.4 |
| Y=8H  | 33.6             | 34.5 | 35.4 | 36.2 | 37.8 | 28.6           | 29.4 | 30.3 | 31.1 | 32.8 |
| Variations with the observer position at spacings |                  |      |      |      |      |                |      |      |      |      |
| S=1.0H  | 2.0/-2.0         |      |      |      |      | 2.1/-0.4       |      |      |      |      |
| S=1.5H  | -2.0/-20.0       |      |      |      |      | -0.4/-16.7     |      |      |      |      |
| S=2.0H  | -2.0/-20.0       |      |      |      |      | -0.4/-16.7     |      |      |      |      |

# IES Indoor Report

Photometric Filename:LEDBATTEN60W6K-2017-06-02.IES

---

## Candela Tabulation

| V/H    | C0.0    | C90.0   | C180.0  | C270.0  |
|--------|---------|---------|---------|---------|
| Y 0.0  | 1444.16 | 1444.16 | 1444.16 | 1444.16 |
| Y 1.0  | 1449.13 | 1436.55 | 1446.32 | 1436.36 |
| Y 2.0  | 1449.75 | 1436.07 | 1444.80 | 1434.89 |
| Y 3.0  | 1450.18 | 1435.24 | 1442.94 | 1433.52 |
| Y 4.0  | 1450.44 | 1433.63 | 1440.63 | 1431.21 |
| Y 5.0  | 1450.81 | 1431.64 | 1437.80 | 1428.63 |
| Y 6.0  | 1450.46 | 1429.28 | 1434.56 | 1425.39 |
| Y 7.0  | 1449.66 | 1426.76 | 1431.03 | 1421.90 |
| Y 8.0  | 1448.92 | 1422.77 | 1426.97 | 1417.86 |
| Y 9.0  | 1447.66 | 1418.67 | 1422.60 | 1413.63 |
| Y 10.0 | 1446.74 | 1414.20 | 1418.02 | 1408.32 |
| Y 11.0 | 1444.49 | 1409.41 | 1412.56 | 1402.38 |
| Y 12.0 | 1442.86 | 1403.90 | 1406.63 | 1396.34 |
| Y 13.0 | 1440.39 | 1398.19 | 1400.65 | 1389.99 |
| Y 14.0 | 1437.31 | 1391.38 | 1394.25 | 1382.80 |
| Y 15.0 | 1434.26 | 1384.23 | 1387.24 | 1375.25 |
| Y 16.0 | 1430.76 | 1377.01 | 1379.76 | 1367.58 |
| Y 17.0 | 1427.07 | 1368.85 | 1372.06 | 1359.24 |
| Y 18.0 | 1422.56 | 1360.76 | 1363.47 | 1349.85 |
| Y 19.0 | 1418.02 | 1351.62 | 1354.90 | 1340.45 |
| Y 20.0 | 1412.42 | 1342.33 | 1345.85 | 1330.80 |
| Y 21.0 | 1407.40 | 1332.38 | 1336.28 | 1320.61 |
| Y 22.0 | 1401.31 | 1322.13 | 1326.40 | 1309.74 |
| Y 23.0 | 1394.68 | 1311.79 | 1316.50 | 1298.45 |
| Y 24.0 | 1387.90 | 1300.48 | 1305.60 | 1286.94 |
| Y 25.0 | 1381.02 | 1288.94 | 1294.49 | 1274.85 |
| Y 26.0 | 1373.34 | 1276.75 | 1282.93 | 1262.20 |
| Y 27.0 | 1364.98 | 1264.55 | 1271.34 | 1249.39 |
| Y 28.0 | 1356.94 | 1251.59 | 1259.22 | 1236.30 |
| Y 29.0 | 1348.01 | 1238.18 | 1246.54 | 1222.58 |
| Y 30.0 | 1338.43 | 1224.73 | 1233.74 | 1208.29 |
| Y 31.0 | 1328.73 | 1210.51 | 1220.71 | 1193.82 |
| Y 32.0 | 1319.24 | 1195.99 | 1206.90 | 1178.94 |
| Y 33.0 | 1308.82 | 1181.24 | 1192.75 | 1163.87 |
| Y 34.0 | 1297.69 | 1166.02 | 1178.42 | 1148.12 |
| Y 35.0 | 1286.38 | 1150.46 | 1164.13 | 1132.08 |
| Y 36.0 | 1274.76 | 1134.43 | 1149.18 | 1115.70 |
| Y 37.0 | 1262.96 | 1117.93 | 1133.83 | 1099.28 |
| Y 38.0 | 1250.81 | 1101.06 | 1118.32 | 1082.11 |
| Y 39.0 | 1238.38 | 1084.22 | 1102.52 | 1064.40 |
| Y 40.0 | 1225.41 | 1066.73 | 1085.97 | 1046.82 |
| Y 41.0 | 1212.25 | 1048.93 | 1069.79 | 1028.83 |
| Y 42.0 | 1198.19 | 1030.66 | 1053.09 | 1010.12 |
| Y 43.0 | 1184.18 | 1012.28 | 1036.04 | 991.48  |
| Y 44.0 | 1170.30 | 993.24  | 1018.51 | 972.57  |
| Y 45.0 | 1155.74 | 974.13  | 1001.15 | 953.16  |
| Y 46.0 | 1140.80 | 954.72  | 982.97  | 933.24  |

---

# IES Indoor Report

Photometric Filename:LEDBATTEN60W6K-2017-06-02.IES

---

## Candela Tabulation - (Cont.)

| V/H    | C0.0    | C90.0  | C180.0 | C270.0 |
|--------|---------|--------|--------|--------|
| Y 47.0 | 1125.38 | 935.05 | 964.86 | 913.00 |
| Y 48.0 | 1109.80 | 914.77 | 946.57 | 892.88 |
| Y 49.0 | 1093.55 | 894.24 | 927.82 | 872.14 |
| Y 50.0 | 1077.64 | 873.59 | 908.54 | 851.08 |
| Y 51.0 | 1061.17 | 852.46 | 889.27 | 829.89 |
| Y 52.0 | 1044.14 | 831.24 | 869.76 | 808.44 |
| Y 53.0 | 1026.79 | 809.71 | 850.11 | 786.39 |
| Y 54.0 | 1009.26 | 787.80 | 830.09 | 764.17 |
| Y 55.0 | 991.36  | 765.53 | 809.86 | 741.97 |
| Y 56.0 | 973.66  | 743.02 | 789.20 | 719.35 |
| Y 57.0 | 955.54  | 720.27 | 768.54 | 696.35 |
| Y 58.0 | 936.92  | 697.22 | 747.54 | 673.23 |
| Y 59.0 | 917.79  | 674.11 | 726.60 | 649.61 |
| Y 60.0 | 898.66  | 650.54 | 705.37 | 625.92 |
| Y 61.0 | 879.68  | 626.65 | 683.88 | 602.03 |
| Y 62.0 | 860.31  | 602.77 | 662.39 | 578.02 |
| Y 63.0 | 841.18  | 578.48 | 640.65 | 553.65 |
| Y 64.0 | 821.15  | 554.05 | 618.70 | 529.29 |
| Y 65.0 | 800.74  | 529.55 | 596.88 | 504.66 |
| Y 66.0 | 780.13  | 504.84 | 574.99 | 479.73 |
| Y 67.0 | 759.54  | 479.86 | 553.08 | 454.91 |
| Y 68.0 | 739.02  | 454.86 | 530.88 | 429.98 |
| Y 69.0 | 717.76  | 429.78 | 508.89 | 404.92 |
| Y 70.0 | 696.40  | 404.63 | 487.16 | 379.83 |
| Y 71.0 | 674.75  | 379.39 | 465.58 | 354.87 |
| Y 72.0 | 653.31  | 354.14 | 444.06 | 329.75 |
| Y 73.0 | 631.58  | 329.03 | 422.84 | 304.80 |
| Y 74.0 | 610.06  | 303.99 | 402.08 | 280.03 |
| Y 75.0 | 588.15  | 279.04 | 381.95 | 255.48 |
| Y 76.0 | 566.17  | 254.37 | 362.90 | 231.15 |
| Y 77.0 | 544.12  | 229.94 | 345.01 | 207.29 |
| Y 78.0 | 522.03  | 205.88 | 328.04 | 183.85 |
| Y 79.0 | 500.46  | 182.30 | 311.96 | 161.01 |
| Y 80.0 | 479.23  | 159.41 | 296.51 | 138.96 |
| Y 81.0 | 457.67  | 137.25 | 282.10 | 117.72 |
| Y 82.0 | 436.30  | 116.04 | 268.68 | 97.50  |
| Y 83.0 | 415.39  | 95.86  | 256.33 | 78.66  |
| Y 84.0 | 395.08  | 76.98  | 245.82 | 61.34  |
| Y 85.0 | 375.42  | 59.63  | 238.07 | 45.85  |
| Y 86.0 | 357.28  | 44.17  | 231.94 | 32.65  |
| Y 87.0 | 339.78  | 30.91  | 227.91 | 22.32  |
| Y 88.0 | 323.12  | 20.28  | 225.98 | 15.02  |
| Y 89.0 | 307.57  | 12.63  | 224.06 | 10.88  |
| Y 90.0 | 292.83  | 8.33   | 222.13 | 8.54   |
| Y 91.0 | 279.37  | 5.73   | 220.21 | 8.32   |
| Y 92.0 | 266.99  | 5.87   | 218.26 | 8.24   |
| Y 93.0 | 255.75  | 6.00   | 216.23 | 8.23   |

---

# IES Indoor Report

Photometric Filename:LEDBATTEN60W6K-2017-06-02.IES

---

## Candela Tabulation - (Cont.)

| V/H     | C0.0   | C90.0 | C180.0 | C270.0 |
|---------|--------|-------|--------|--------|
| Y 94.0  | 247.51 | 6.09  | 214.21 | 8.29   |
| Y 95.0  | 241.51 | 6.23  | 212.11 | 8.39   |
| Y 96.0  | 236.95 | 6.43  | 209.88 | 8.41   |
| Y 97.0  | 234.18 | 6.56  | 207.65 | 8.53   |
| Y 98.0  | 231.86 | 6.64  | 205.39 | 8.69   |
| Y 99.0  | 229.55 | 6.87  | 203.02 | 8.81   |
| Y 100.0 | 227.20 | 7.05  | 200.62 | 8.89   |
| Y 101.0 | 224.75 | 7.11  | 198.19 | 9.09   |
| Y 102.0 | 222.31 | 7.23  | 195.59 | 9.26   |
| Y 103.0 | 219.77 | 7.48  | 193.04 | 9.38   |
| Y 104.0 | 217.22 | 7.70  | 190.35 | 9.56   |
| Y 105.0 | 214.59 | 7.90  | 187.57 | 9.79   |
| Y 106.0 | 211.87 | 8.14  | 184.73 | 10.07  |
| Y 107.0 | 209.10 | 8.41  | 181.85 | 10.26  |
| Y 108.0 | 206.24 | 8.66  | 178.77 | 10.40  |
| Y 109.0 | 203.33 | 8.76  | 174.83 | 10.60  |
| Y 110.0 | 199.86 | 8.97  | 169.17 | 10.77  |
| Y 111.0 | 195.01 | 9.17  | 165.65 | 11.01  |
| Y 112.0 | 191.60 | 9.39  | 162.89 | 11.31  |
| Y 113.0 | 189.00 | 9.69  | 160.26 | 11.47  |
| Y 114.0 | 186.54 | 9.99  | 157.81 | 11.67  |
| Y 115.0 | 184.24 | 10.15 | 155.46 | 11.90  |
| Y 116.0 | 182.03 | 10.35 | 153.05 | 12.06  |
| Y 117.0 | 179.70 | 10.57 | 150.44 | 12.25  |
| Y 118.0 | 177.07 | 10.77 | 147.84 | 12.50  |
| Y 119.0 | 174.51 | 10.97 | 145.28 | 12.69  |
| Y 120.0 | 171.90 | 11.18 | 142.76 | 12.84  |
| Y 121.0 | 169.43 | 11.39 | 140.19 | 13.06  |
| Y 122.0 | 167.01 | 11.55 | 137.72 | 13.29  |
| Y 123.0 | 164.57 | 11.75 | 135.24 | 13.45  |
| Y 124.0 | 162.07 | 11.97 | 132.80 | 13.65  |
| Y 125.0 | 159.60 | 12.17 | 130.29 | 13.89  |
| Y 126.0 | 157.07 | 12.33 | 127.83 | 14.08  |
| Y 127.0 | 154.12 | 12.54 | 125.27 | 14.28  |
| Y 128.0 | 150.53 | 12.76 | 122.69 | 14.48  |
| Y 129.0 | 146.97 | 12.92 | 120.14 | 14.68  |
| Y 130.0 | 144.76 | 13.09 | 117.65 | 14.89  |
| Y 131.0 | 143.06 | 13.31 | 115.17 | 15.11  |
| Y 132.0 | 141.04 | 13.54 | 112.54 | 15.29  |
| Y 133.0 | 138.67 | 13.65 | 109.87 | 15.47  |
| Y 134.0 | 136.09 | 13.82 | 107.19 | 15.71  |
| Y 135.0 | 133.21 | 14.06 | 104.55 | 15.91  |
| Y 136.0 | 130.46 | 14.24 | 101.99 | 16.04  |
| Y 137.0 | 127.47 | 14.35 | 99.46  | 16.23  |
| Y 138.0 | 124.21 | 14.54 | 96.86  | 16.45  |
| Y 139.0 | 121.06 | 14.74 | 94.27  | 16.60  |
| Y 140.0 | 118.23 | 14.90 | 91.72  | 16.87  |

---



# IES Indoor Report

Photometric Filename:LEDBATTEN60W6K-2017-06-02.IES

---

## Candela Tabulation - (Cont.)

| V/H     | C0.0   | C90.0 | C180.0 | C270.0 |
|---------|--------|-------|--------|--------|
| Y 141.0 | 115.82 | 15.10 | 89.17  | 17.16  |
| Y 142.0 | 113.81 | 15.35 | 86.70  | 17.40  |
| Y 143.0 | 111.69 | 15.63 | 84.29  | 17.62  |
| Y 144.0 | 109.19 | 15.85 | 81.77  | 17.88  |
| Y 145.0 | 106.47 | 16.12 | 79.23  | 18.13  |
| Y 146.0 | 103.84 | 16.37 | 76.71  | 18.37  |
| Y 147.0 | 101.20 | 16.62 | 74.21  | 18.65  |
| Y 148.0 | 99.11  | 16.87 | 71.78  | 18.90  |
| Y 149.0 | 97.17  | 17.15 | 69.32  | 19.12  |
| Y 150.0 | 94.91  | 17.41 | 66.75  | 19.38  |
| Y 151.0 | 92.27  | 17.64 | 64.14  | 19.60  |
| Y 152.0 | 89.36  | 17.95 | 61.63  | 19.80  |
| Y 153.0 | 86.31  | 18.20 | 59.15  | 20.01  |
| Y 154.0 | 83.33  | 18.40 | 56.76  | 20.28  |
| Y 155.0 | 80.66  | 18.67 | 54.46  | 20.47  |
| Y 156.0 | 78.15  | 18.95 | 52.11  | 20.62  |
| Y 157.0 | 76.01  | 19.20 | 49.74  | 20.88  |
| Y 158.0 | 73.73  | 19.41 | 47.37  | 21.07  |
| Y 159.0 | 71.15  | 19.68 | 45.09  | 21.24  |
| Y 160.0 | 68.51  | 19.93 | 42.80  | 21.42  |
| Y 161.0 | 66.01  | 20.16 | 40.63  | 21.63  |
| Y 162.0 | 63.68  | 20.36 | 38.46  | 21.79  |
| Y 163.0 | 61.14  | 20.65 | 36.30  | 21.94  |
| Y 164.0 | 58.76  | 20.88 | 34.24  | 22.13  |
| Y 165.0 | 56.45  | 21.07 | 32.24  | 22.26  |
| Y 166.0 | 54.19  | 21.30 | 30.27  | 22.40  |
| Y 167.0 | 51.89  | 21.58 | 28.29  | 22.61  |
| Y 168.0 | 49.51  | 21.82 | 26.24  | 22.71  |
| Y 169.0 | 47.20  | 22.00 | 24.06  | 22.82  |
| Y 170.0 | 44.72  | 22.24 | 21.99  | 22.98  |
| Y 171.0 | 42.54  | 22.43 | 20.00  | 23.07  |
| Y 172.0 | 40.46  | 22.62 | 18.13  | 23.17  |
| Y 173.0 | 38.22  | 22.82 | 16.50  | 23.30  |
| Y 174.0 | 36.25  | 23.03 | 15.47  | 23.41  |
| Y 175.0 | 34.31  | 23.20 | 14.96  | 23.49  |
| Y 176.0 | 32.30  | 23.35 | 15.00  | 23.59  |
| Y 177.0 | 30.75  | 23.52 | 15.74  | 23.65  |
| Y 178.0 | 28.92  | 23.67 | 16.54  | 23.69  |
| Y 179.0 | 26.93  | 23.80 | 17.53  | 23.78  |
| Y 180.0 | 22.40  | 22.40 | 22.40  | 22.40  |

---