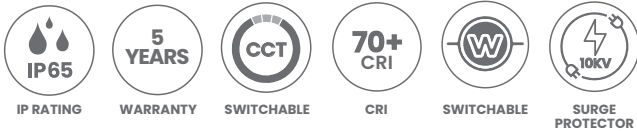
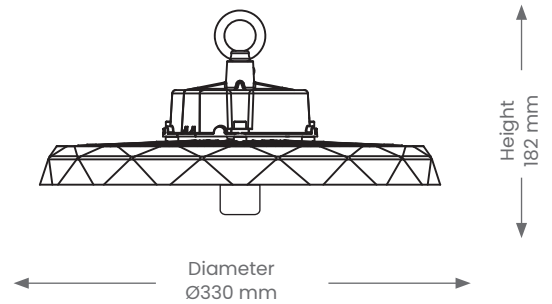


HIGHBAY

PLUTO WITH SENSOR

Product Code: PLUTO+



Product Features

- Removable microwave Sensor
- 3 x Colour Temperature Selectable
- 3 x Wattage Selectable
- Replaceable Surge Protection Device (SPD) 10kV
- 2m cord, with NZ plug

Specifications


Highbay Specification:

- Voltage - 230V
- IP Rating - IP65
- IK Rating - IK08
- Lamp Technology - LED
- Beam angle - 90°
- Lamp Life: L70 50,000
- CCT Switchable - 4000K | 5000K | 6000K
- Lumen efficacy 170lm/w (+/-5%)
- refer to photometric files for lumens per colour temp/wattage
- Wattage Selectable - 200W | 160W | 120W
- SPD specification: 10kV, full specification supplied on request.
- Weight: 2.7KG (3.2kg with diffuser)
- 2m cord supplied with NZ plug fitted.
- Ambient temperature range: -20°C - 40°C

Sensor Specification:

- Microwave Sensor
- Maximum Mounting Height: 12 Meters
- Sensor Detection Radius: (1-8m)
- Time Setting: 10s - 60min
- Brightness Control: 70-100%
- Daylight Sensor: 100-500lm
- Ambient temperature range: -20°C - 40°C

Materials & Finish

- **Material**
 - Die-Casting Aluminium with PC lens
- **Colour**
 -  Black

Installation

- **Mounting** - Surface Mounted Suspended, with M10 Hook (Supplied)

Accessories available:

- Sensor (PLUTOSENSOR)
- Sensor Remote (PLUTOREMOTE) sold separately
- Diffuser (PLUTODIFFUSER) sold separately

*We recommend at least 1x remote per 20 high bays.