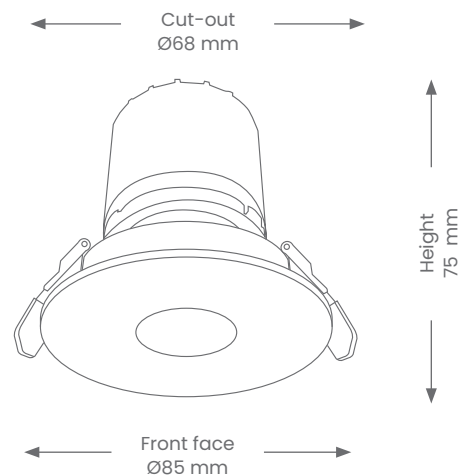


Allure Downlights

A502 – CRI90 – TRICOLOUR TEMPERATURE

Product Codes: PHDL1090-WH/ BLK



Product Features

- 10W Pinhole Recessed Downlight
- Dimmable, with compatible dimmer
- Low Glare design
- Tricolour suitable
- Suitable for residential or commercial in interior installations.
- Lifespan - 54,000 hours(L70)
- Removable driver

Materials & Finish

- **Material**
 - Aluminium
 - Lens - Opaque PMMA diffuser
- **LED Type**
 - Integrated SMD LED
- **Shape**
 - Round
- **Colour**
 - White Black

Specifications

- **Switching Capacity** - 30,000
- **Triac Dimmable**
- **Rating** - IC-F/IC-4
- **Power**
 - Voltage - 230V
 - Driver - coverable driver
 - Power Factor - > 0.9
 - Wattage - 10W(including the driver)
 - Max ambient operating temperature: +45°C
- **Light Output**
 - Lumens - 510lm (3000K) | 575lm (4000K) 535lm (6500K)
 - Colour Temperature - 3000K | 4000K | 6500K
 - CRI - >90(CRI80 model available)

Installation

- **Mounting** - Recessed
- *HCB: 0mm | *SCB: 0mm | Height of fitting: 75mm

Note:

*HCB(Height Clearance to Building) and SCB(Side Clearance to Building) clearances of 0mm does not mean that you can drill a hole in solid concrete or wood and install downlight. You must always allow for heat dissipation. Do not install closer than 500mm to illuminated surface. Please refer to instruction sheet for more details.