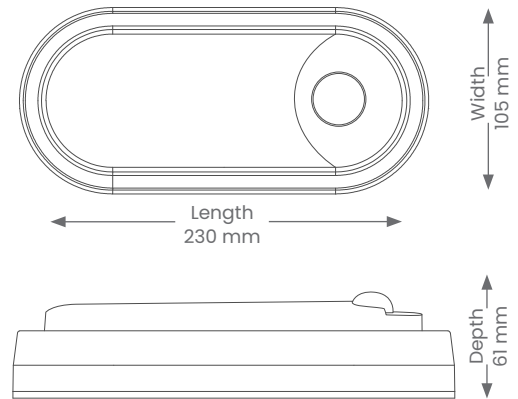


## Bulkhead

### OVATE SENSOR



Product Codes: YBHPIR-WH/ BLK



## Product Features

- Suitable for residential or commercial in exterior installations
- Suitable for coastal conditions
- Double insulated
- Screw directly through base for easy mounting
- Tricolour switchable
- Built-in PIR Sensor with time & light level adjustment dial
- Push connection terminals and plenty of space for wiring for easy installation

## Materials & Finish

- **Material**
  - UV resistant ABS, PC
- **LED Type**
  - Integrated SMD LED
- **Colour**
  -  White  Black

## Specifications

- Non-dimmable
- IK Rating - IK08
- **Power**
  - Voltage - 230V
  - Driver - Integral
  - Wattage - 12W
  - Max ambient operating temperature: +50°C
- **Light Output**
  - Lumens - 930lm (3K) | 1070lm (4K) | 970lm (5K)
  - Colour Temperature - 3000K | 4000K | 5000K
  - CRI - >80
- **Lamp**
  - Tech - Integrated LED
- **Integrated PIR Sensor**
  - Detection distance - 6m
  - Lux - Adjustable dial
  - Time adjustable - 5sec-8min

## Installation

- **Mounting** - Surface