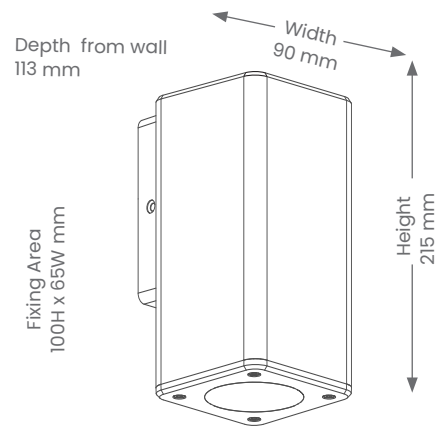


Wall Light

Byron Square with Lamps – Two Way – Large

Product Codes: LUS2203L



IP RATING



DIMMABLE*



DOUBLE INSULATED




3 YEAR WARRANTY

Product Features

- Suitable for residential in exterior installations.
- 2-Way Light Direction
- Dimmable, lamp dependent
- Suitable for coastal conditions

Materials & Finish

- **Material**
 - UV Resistant anti-corrosion ABS & Polycarbonate
- **Colour**
 -  Black

Specifications

- IK Rating – IK08
- **Power**
 - Voltage – 230V
 - Wattage – 2 x 10W Max
- **Lamp**
 - 2 x GU10 lamps (included)
 - Tech – Replaceable lamp

Installation

- **Mounting** – Surface Mounted