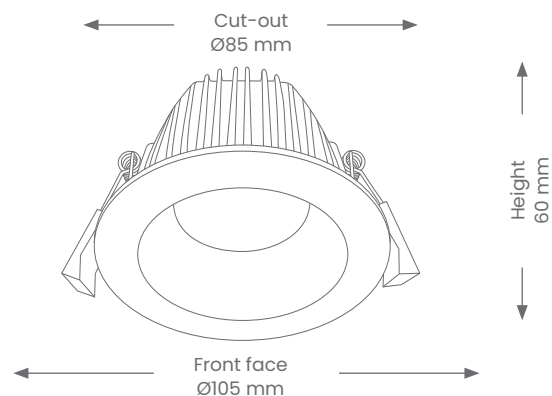


# GeoLED Downlights

## GEO12LG - CRI 90 - TRICOLOUR TEMPERATURE


Product Codes: LGDL1290-WH



### Product Features

- 12W Low Glare Recessed Downlight
- Dimmable, with compatible dimmer
- Tricolour suitable
- Low Glare design
- High colour clarity LED Chip
- Suitable for residential or commercial in either interior or covered exterior installations.
- Lifespan - 54,000 hours(L70)
- Removable driver

### Materials & Finish

- **Material**
  - Aluminium
  - Lens - Opaque PMMA diffuser (deep recess lens, reduces unwanted glare)
- **LED Type**
  - Integrated SMD LED
- **Shape**
  - Round
- **Colour**
  -  White

### Specifications

- **Switching Capacity** - 30,000
- **Triac Dimmable**
- **Rating** - IC-F/IC-4
- **Power**
  - Voltage - 230V
  - Driver - coverable driver
  - Power Factor - > 0.9
  - Wattage - 12W(including the driver)
  - Max ambient operating temperature: +45°C
- **Light Output**
  - Lumens - 700lm (3000K) | 765lm (4000K) | 715lm (6500K)
  - Colour Temperature - 3000K | 4000K | 6500K
  - CRI - >90(CRI80 model available)

### Installation

- **Mounting** - Recessed
- \*HCB: 0mm | \*SCB: 0mm | Height of fitting: 60mm

Note:

\*HCB(Height Clearance to Building) and SCB(Side Clearance to Building) clearances of 0mm does not mean that you can drill a hole in solid concrete or wood and install downlight. You must always allow for heat dissipation. Do not install closer than 500mm to illuminated surface. Please refer to instruction sheet for more details.