

Esther – Pendant

Model: KP199

Installation Instructions

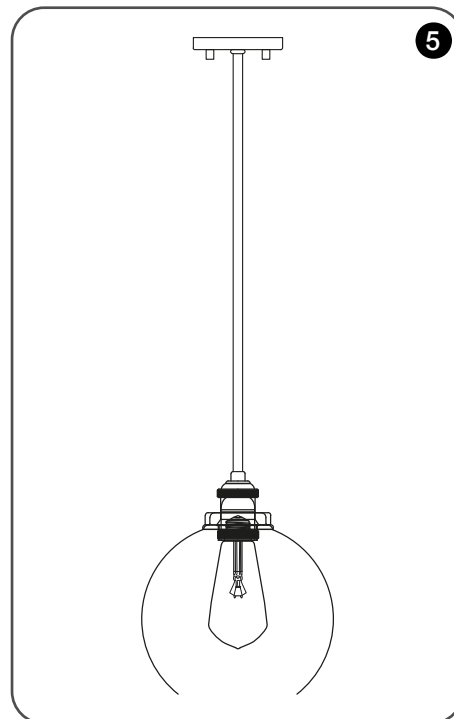
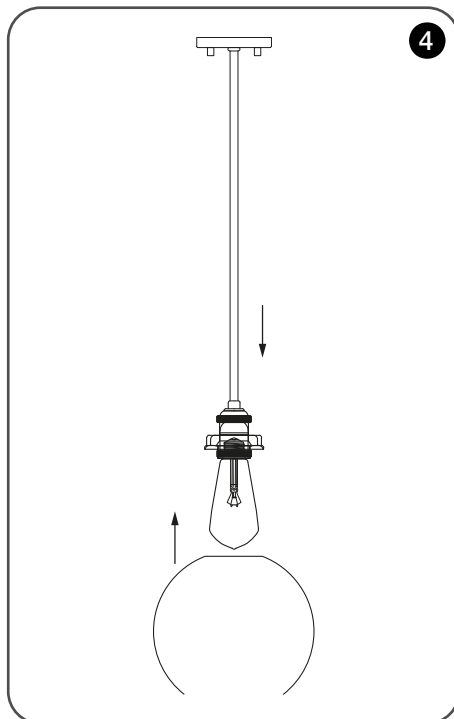
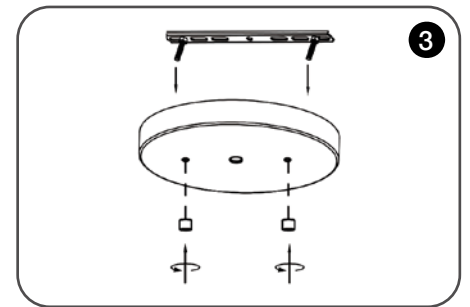
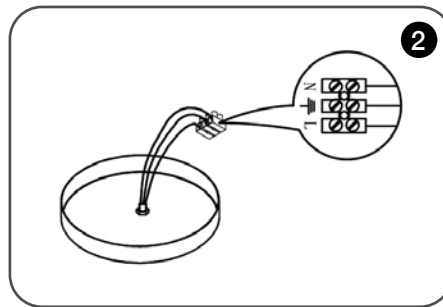
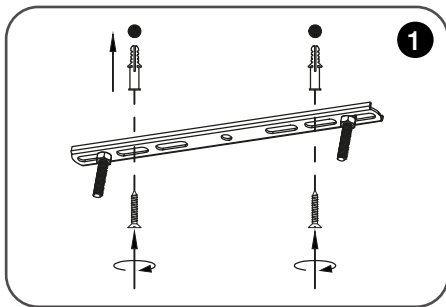
All installations must be carried out by a qualified electrician following local regulations. Make sure that the power is switched off before installation. Please read and follow the 'Installation instructions' and 'Safety instructions' sections carefully before commencing installation.

Installation of this model can change from time to time please read instructions every time before installation. For detailed specification, please go to our website eurotechlighting.co.nz

Code:	Colour:	Dimensions (mm):	Driver:	Fixing Area (mm):	Lamp:	Material:	Voltage:
KP199	Brass & Grey	200Ø x 180H	Driver not required	110Ømm	ST64E27 (Lamp Included)	Glass & Metal	230V

Installation Instructions

1. Using mounting brackets as a guide drill two mounting holes. Knock two white expansion tubes provided into the holes. Turn two pieces screws into the white expansion tubes through the bracket holes to fix the bracket on the ceiling.
2. Connect wires into connector block provided paying attention to live, natural + earth markings.
3. Connect ceiling rose to mounting bracket.
4. Once all wires are connected, place your LED lamp into fitting and fit the glass.
5. Ensure installation is correct before switching on the fitting to test.



Safety Instructions

Read these instructions carefully before commencing installation.

1. This LED luminaire must be installed by a licensed electrician ONLY following all local regulations.
2. Ensure that the cables will not be squeezed or damaged by sharp edges.
3. Clean the light with a soft cloth and a standard PH-neutral detergent.
4. Misuse of/or changes to the appliance shall void all warranties.
5. Do not install on a surface that is not suitable or deformed.
6. Do not install on or above a surface with a high temperature.
7. There should not be any materials that are corrosive, explosive.



For detailed specification, please go to our website eurotechlighting.co.nz

Eurotech
lighting