

Chameleon - Paintable Plaster, Wall Light

Model: PLASTER 8428 & PLASTER 8429

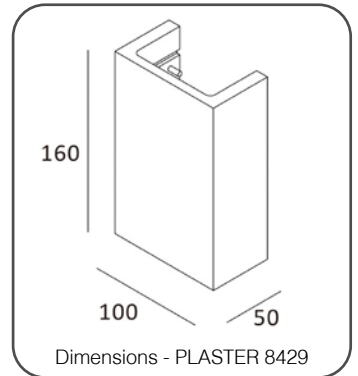
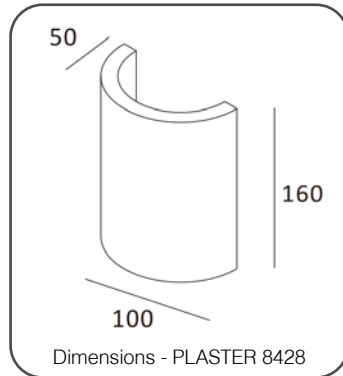
Installation Instructions

All installations must be carried out by a qualified electrician following local regulations. Make sure that the power is switched off before installation. Please read and follow the 'Installation instructions' and 'Safety instructions' sections carefully before commencing installation.

Installation of this model can change from time to time please read instructions every time before installation. For detailed specification, please go to our website eurotechlighting.co.nz

Code:	Colour:	Dimensions (mm):	Dimmable:	Driver:	IP Rating:	Kelvins:	Lumens:	Watts:
PLASTER 8428	White Paintable Plaster	100L x 50W x 160H	Yes	Integral Driver	IP20	3000K	2 x 250lm	2 x 3W
PLASTER 8429								

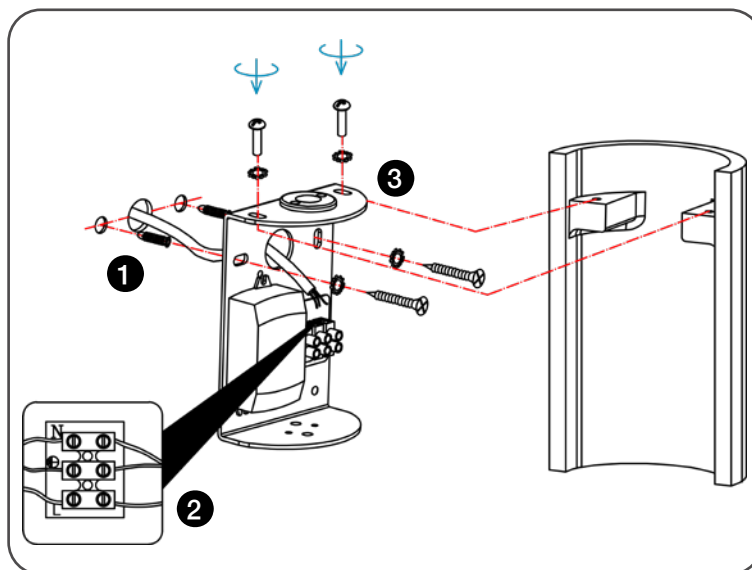
Product Information



Installation Instructions

1. Unscrew screws at top. Mount metal backplate to the mounting surface. Fitting can be surface mounted on walls or ceiling.
If you are going to paint your fitting it is easiest to do this before reattaching fitting to the backplate. We recommend using a paint roller to avoid brush marks as the fitting is plaster you should use an undercoat. For this model, we recommend leaving the inner surface white to help light output.
2. Looking at the back of the fitting connect the wires leading from the LED luminaire, ensuring the relevant colour wires match each other. Connect your mains power wires, following the same colour sequencing.
Blue = Negative, Brown = Positive & Yellow / Green = Earth
3. Once all wires are connected. Place your LED luminaire into place & reattach screws at the top of the fitting. Ensure installation is correct before switching on the fitting to test.

NOTE: LED luminaire can NOT be placed in exterior locations.



Safety Instructions

Read these instructions carefully before commencing installation.

1. The light source contained in this luminaire shall only be replaced by the manufacturer or this service agent or a similar qualified person.
2. This LED luminaire must be installed by a licensed electrician ONLY following all local regulations.
3. Ensure that the cables will not be squeezed or damaged by sharp edges.
4. Clean the light with a soft cloth and a standard PH-neutral detergent.
5. Misuse of/or changes to the appliance shall void all warranties.
6. Do not install on a surface that is not suitable or deformed.
7. Do not install on or above a surface with a high temperature.
8. There should not be any materials that are corrosive, explosive.



For detailed specification, please go to our website eurotechlighting.co.nz

Eurotech
lighting